



US00D921633S

(12) **United States Design Patent** (10) **Patent No.:** **US D921,633 S**
Huang (45) **Date of Patent:** **** Jun. 8, 2021**

(54) **STYLUS**
(71) Applicant: **Huiqiang Huang**, Heyuan (CN)
(72) Inventor: **Huiqiang Huang**, Heyuan (CN)
(**) Term: **15 Years**
(21) Appl. No.: **29/728,159**
(22) Filed: **Mar. 17, 2020**
(51) **LOC (13) Cl.** **14-02**
(52) **U.S. Cl.**
USPC **D14/411**
(58) **Field of Classification Search**
USPC D14/372, 496, 432, 371, 125, 126, 129,
D14/299, 411; D16/300-342; 351/158,
351/153, 144; 345/7-9, 905; 455/344;
348/115, 53, 121, 739
CPC G02B 27/017; G06F 3/016; G06F 3/033;
G06F 3/0317; G06F 3/03545; G06F
3/041; G06K 9/222
See application file for complete search history.

(56) **References Cited**
U.S. PATENT DOCUMENTS
D155,285 S * 9/1949 Green et al. D19/173
D399,255 S * 10/1998 Melnick D19/173
D580,977 S * 11/2008 Li D19/173
D681,113 S * 4/2013 Huang D19/185
D685,430 S * 7/2013 Zhang D19/186

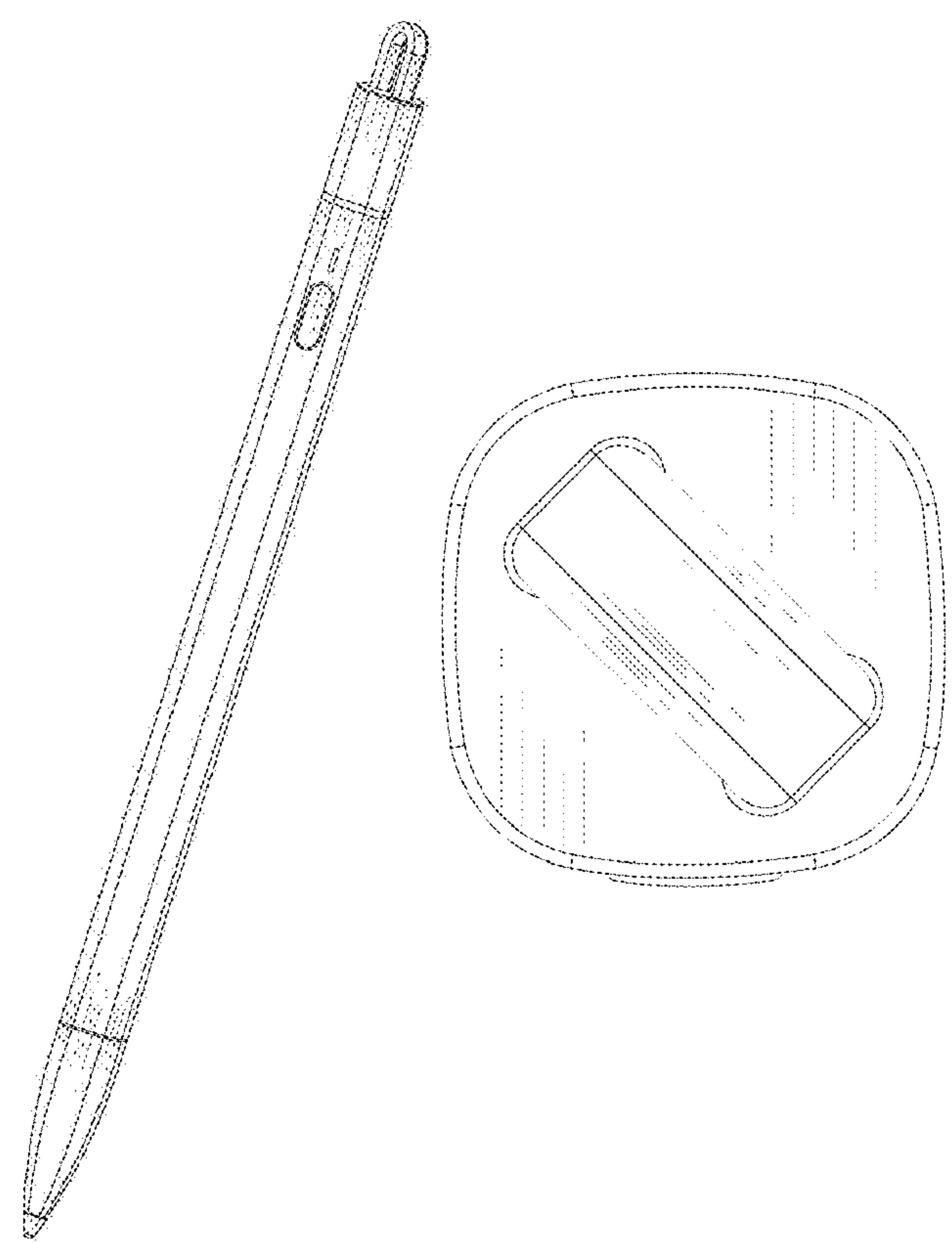
D825,566 S * 8/2018 Peterson D14/411
D826,230 S * 8/2018 Peterson D14/411
D864,298 S * 10/2019 Li D19/177
D879,778 S * 3/2020 Nakajima D14/411
D896,810 S * 9/2020 Akana D14/411
D901,585 S * 11/2020 Vadenne D19/186
D908,703 S * 1/2021 Huang D14/411
D909,379 S * 2/2021 Liu D14/411
D909,380 S * 2/2021 Liu D14/411
D912,146 S * 3/2021 Zhang D19/173
D912,147 S * 3/2021 Zhang D19/173

* cited by examiner
Primary Examiner — Austin Murphy
(74) *Attorney, Agent, or Firm* — W&K IP

(57) **CLAIM**
The ornamental design for a stylus, as shown and described.

DESCRIPTION
FIG. 1 is a perspective view of a stylus;
FIG. 2 is a front elevational view thereof;
FIG. 3 is a rear elevational view thereof;
FIG. 4 is a left elevational view thereof;
FIG. 5 is a right elevational view thereof;
FIG. 6 is a top plan view thereof;
FIG. 7 is a bottom plan view thereof;
FIG. 8 is a perspective view of use state thereof;
FIG. 9 is a rear view of use state thereof;
FIG. 10 is a right elevational view with mark thereof; and,
FIG. 11 is an enlarged portion from FIG. 10.

1 Claim, 11 Drawing Sheets



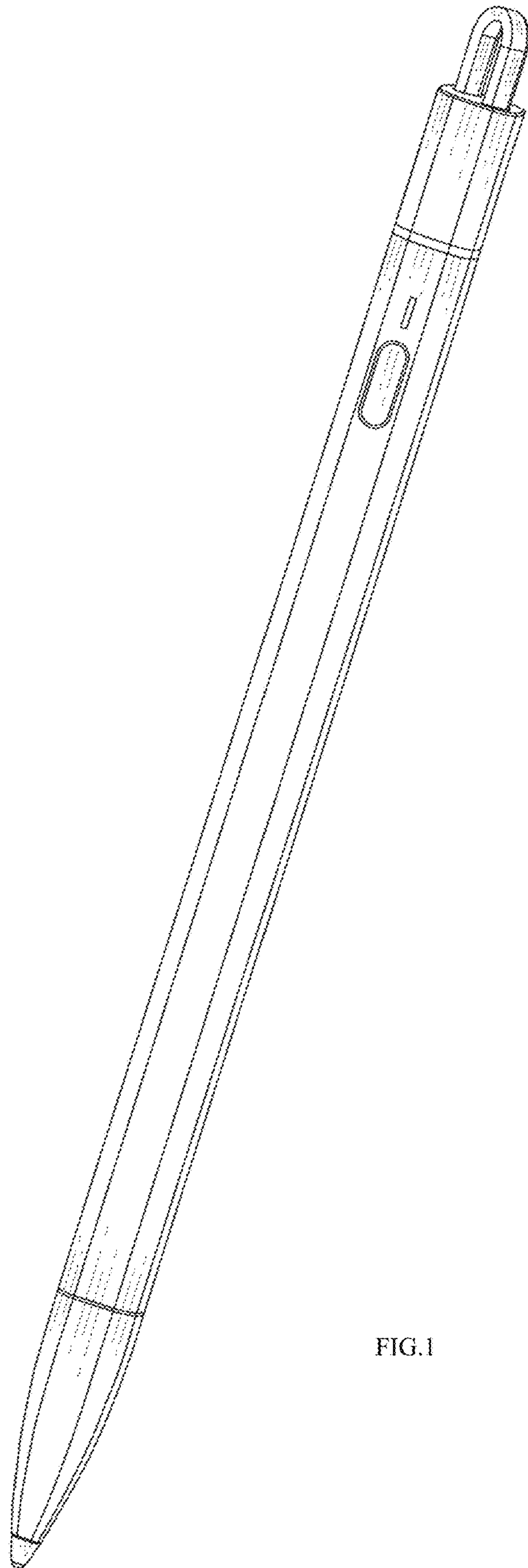


FIG. 1

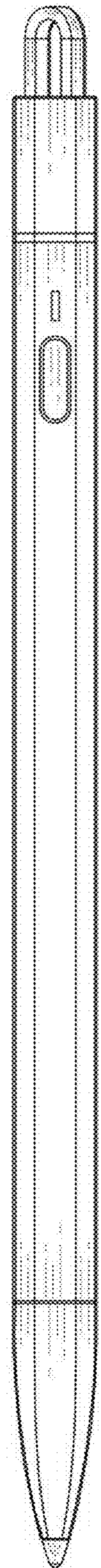


FIG. 2

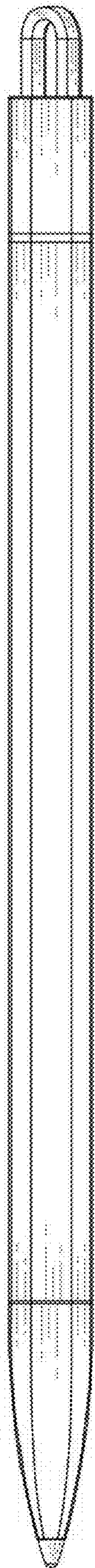


FIG.3

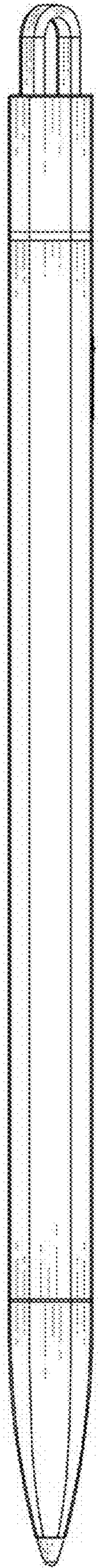


FIG.4

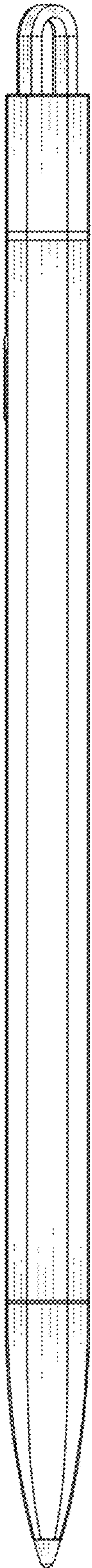


FIG.5

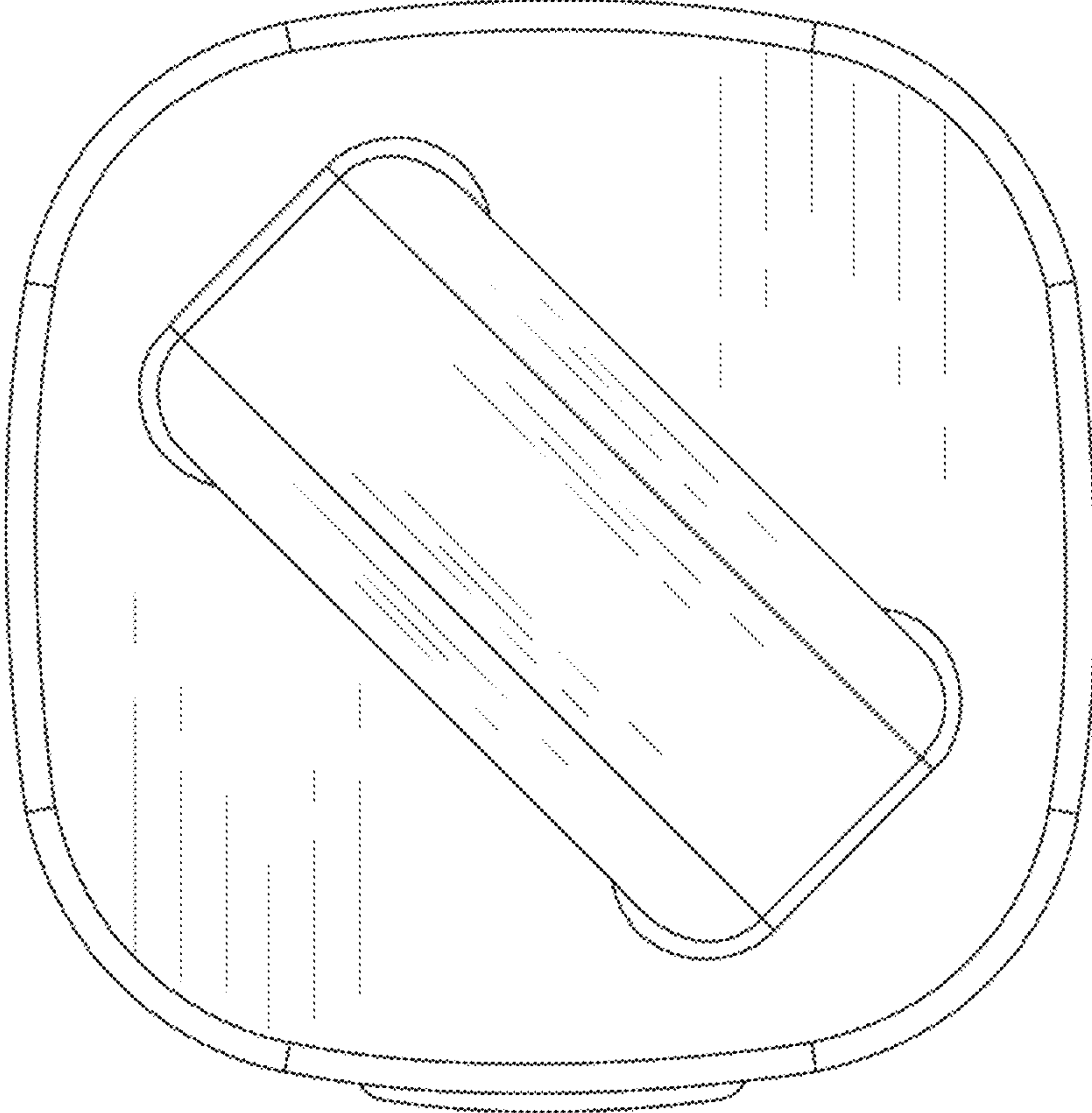


FIG.6

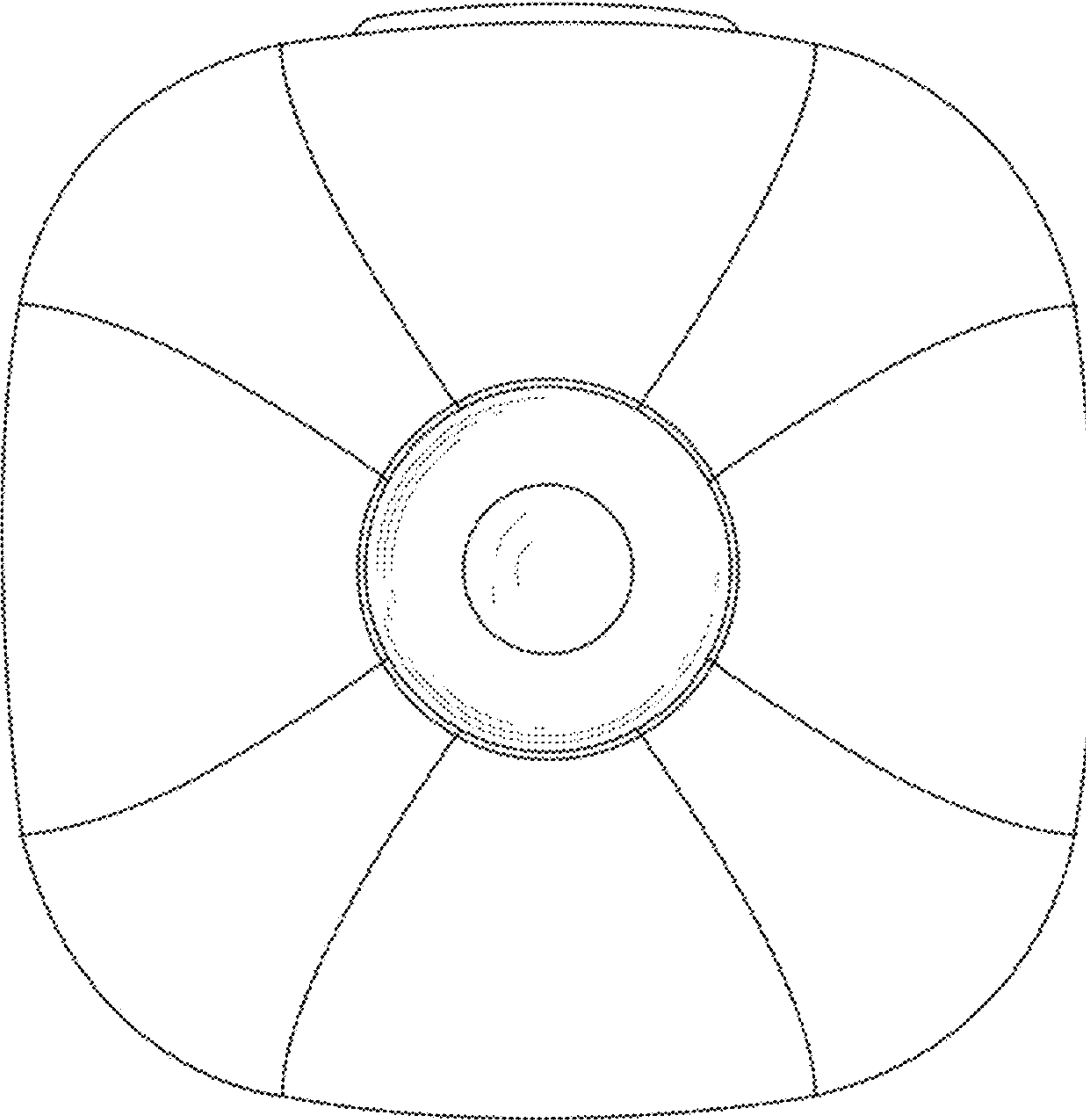


FIG.7

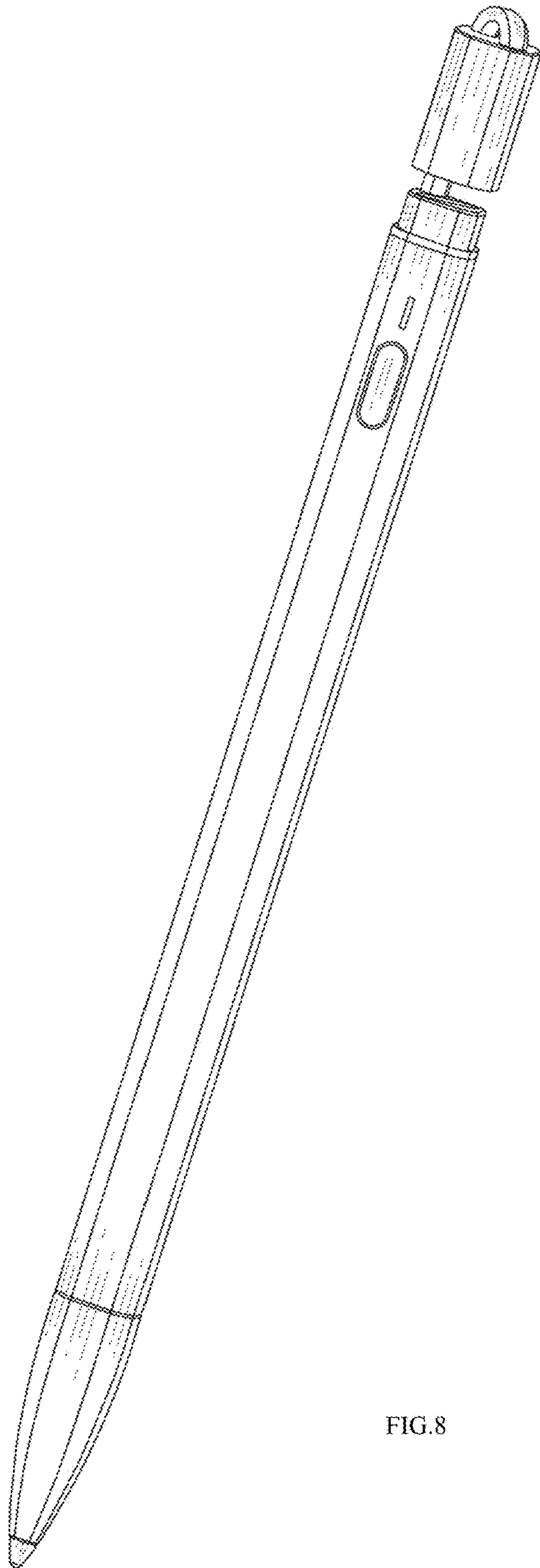


FIG. 8

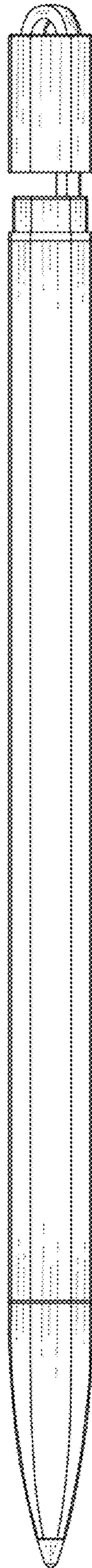


FIG.9

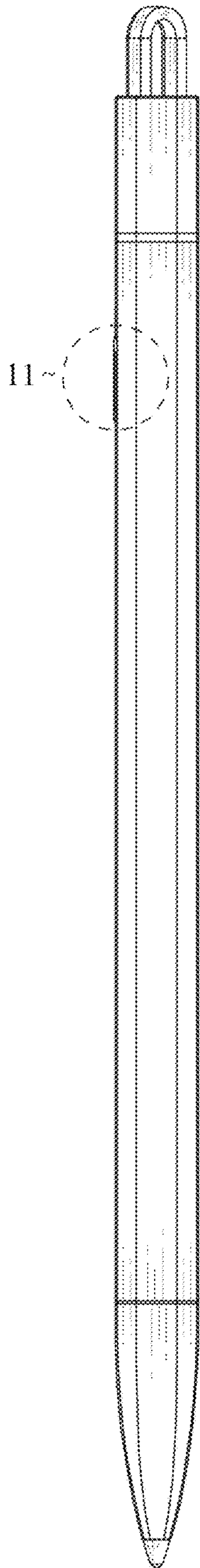


FIG.10

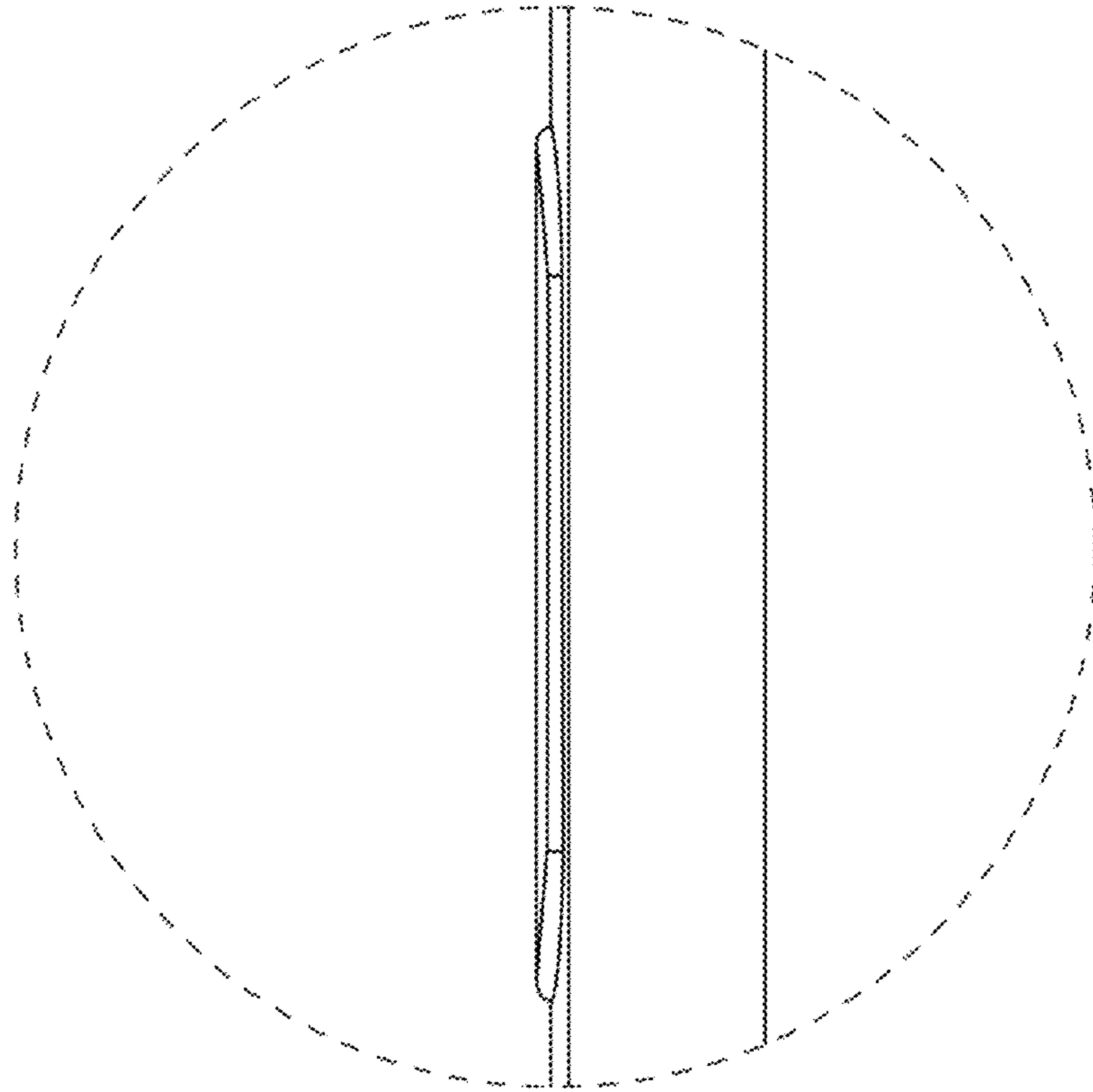


FIG.11