



US00D921631S

(12) **United States Design Patent**
Huang

(10) **Patent No.:** **US D921,631 S**

(45) **Date of Patent:** **** Jun. 8, 2021**

(54) **STYLUS**

(71) Applicant: **Huiqiang Huang**, Heyuan (CN)

(72) Inventor: **Huiqiang Huang**, Heyuan (CN)

(**) Term: **15 Years**

(21) Appl. No.: **29/728,157**

(22) Filed: **Mar. 17, 2020**

(51) **LOC (13) Cl.** **14-02**

(52) **U.S. Cl.**
USPC **D14/411**

(58) **Field of Classification Search**
USPC D14/372, 496, 432, 371, 125, 126, 129,
D14/299, 411; D16/300-342; 351/158,
351/153, 144; 345/7-9, 905; 455/344;
348/115, 53, 121, 739
CPC G02B 27/017; G06F 3/016; G06F 3/033;
G06F 3/0317; G06F 3/03545; G06F
3/041; G06K 9/222

See application file for complete search history.

(56) **References Cited**

U.S. PATENT DOCUMENTS

D155,285 S *	9/1949	Green et al.	D19/173
D399,255 S *	10/1998	Melnick	D19/173
D580,977 S *	11/2008	Li	D19/173
D681,113 S *	4/2013	Huang	D19/185

D685,430 S *	7/2013	Zhang	D19/186
D825,566 S *	8/2018	Peterson	D14/411
D826,230 S *	8/2018	Peterson	D14/411
D864,298 S *	10/2019	Li	D19/177
D879,778 S *	3/2020	Nakajima	D14/411
D896,810 S *	9/2020	Akana	D14/411
D901,585 S *	11/2020	Vadanne	D19/186
D908,703 S *	1/2021	Huang	D14/411
D909,379 S *	2/2021	Liu	D14/411
D909,380 S *	2/2021	Liu	D14/411
D912,146 S *	3/2021	Zhang	D19/173
D912,147 S *	3/2021	Zhang	D19/173

* cited by examiner

Primary Examiner — Austin Murphy

(74) *Attorney, Agent, or Firm* — W&K IP

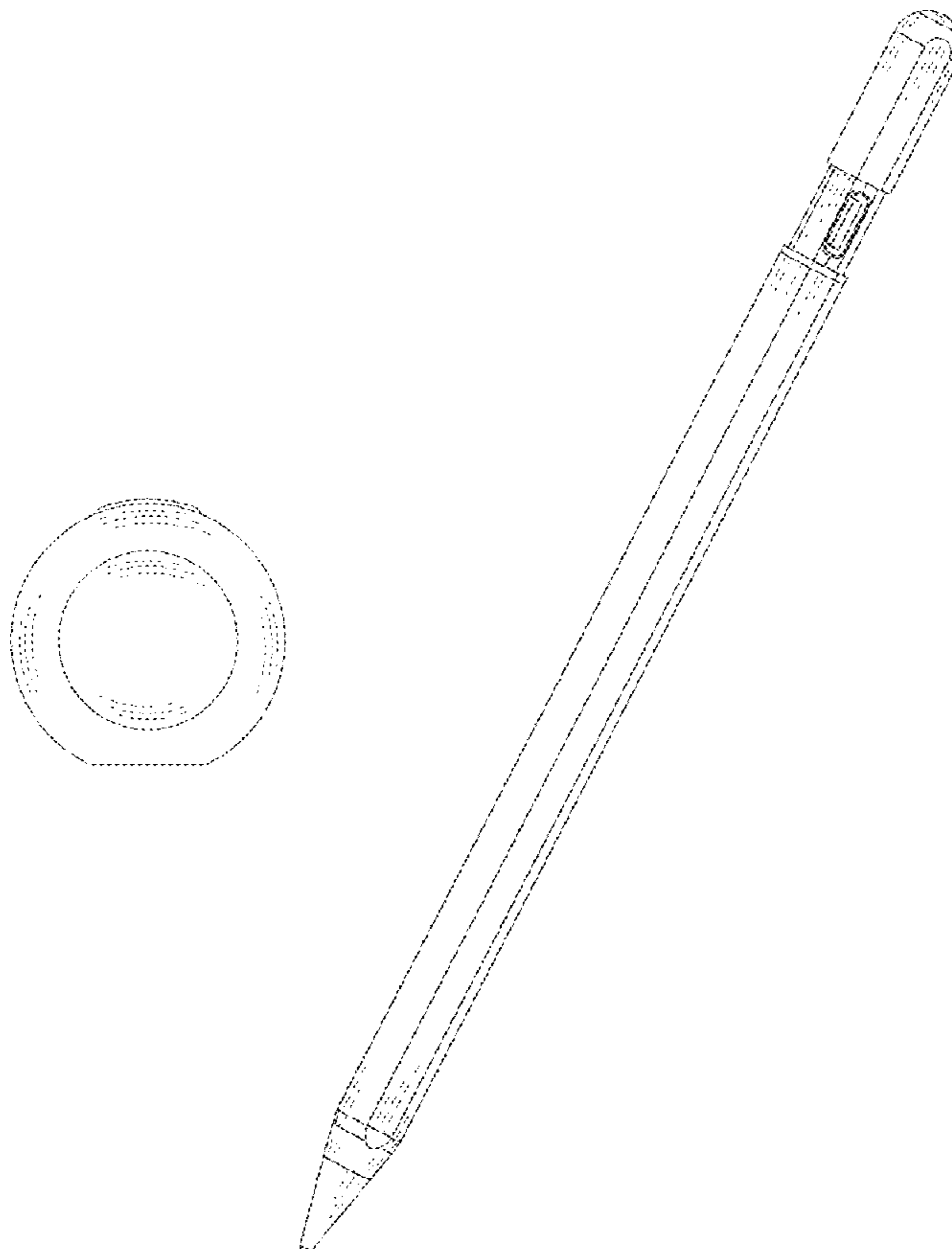
(57) **CLAIM**

The ornamental design for a stylus, as shown and described.

DESCRIPTION

FIG. 1 is a perspective view of a stylus;
FIG. 2 is a front elevational view thereof;
FIG. 3 is a rear elevational view thereof;
FIG. 4 is a left elevational view thereof;
FIG. 5 is a right elevational view thereof;
FIG. 6 is a top plan view thereof;
FIG. 7 is a bottom plan view thereof; and,
FIG. 8 is a perspective view of a use state.

1 Claim, 8 Drawing Sheets



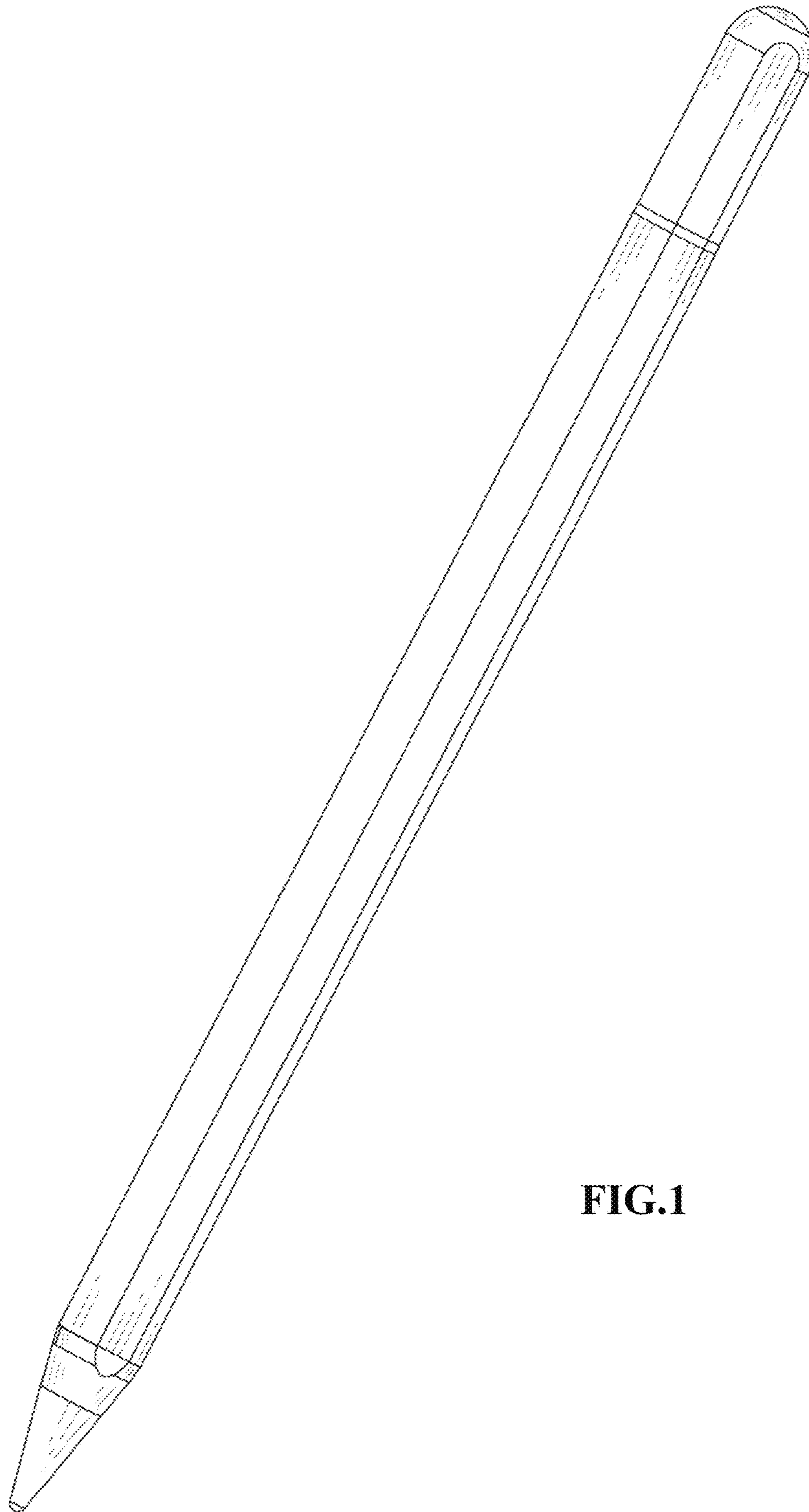


FIG.1

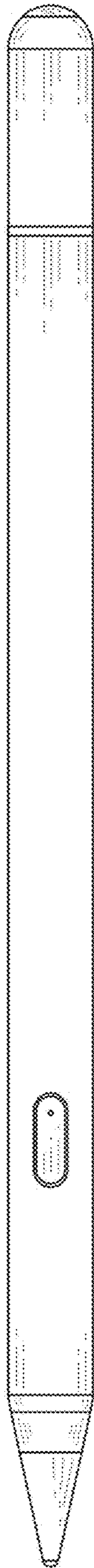


FIG.2

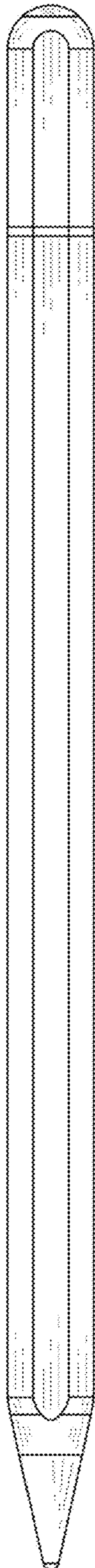


FIG.3

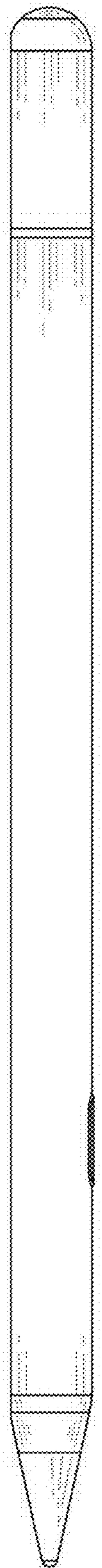


FIG.4

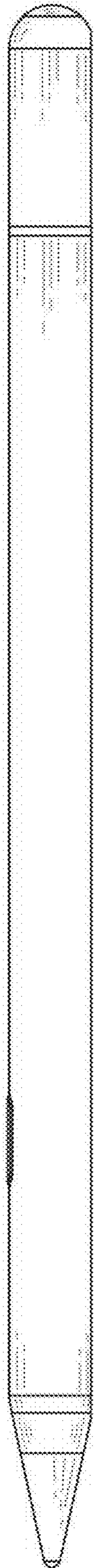


FIG.5

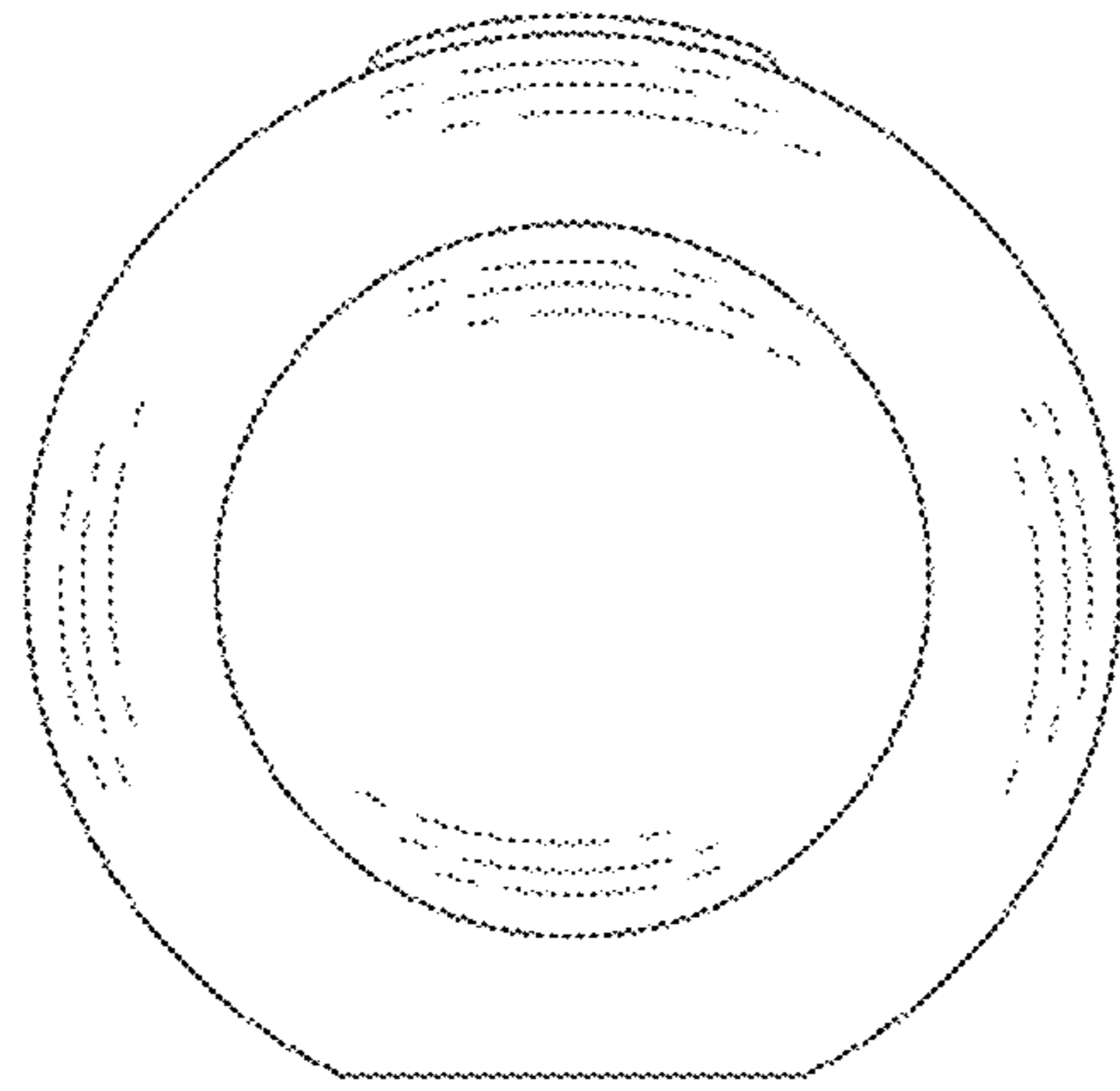


FIG.6

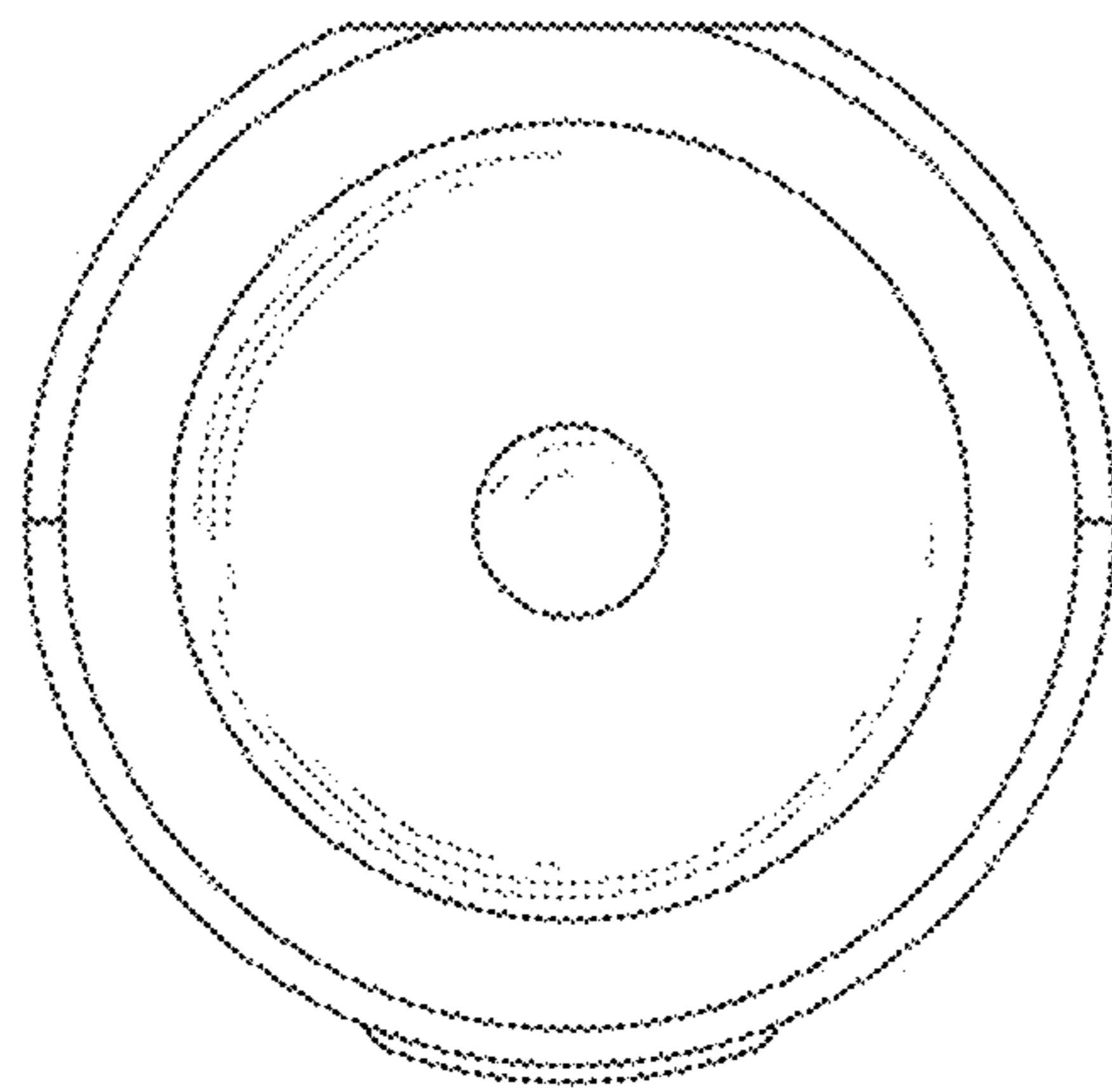


FIG.7

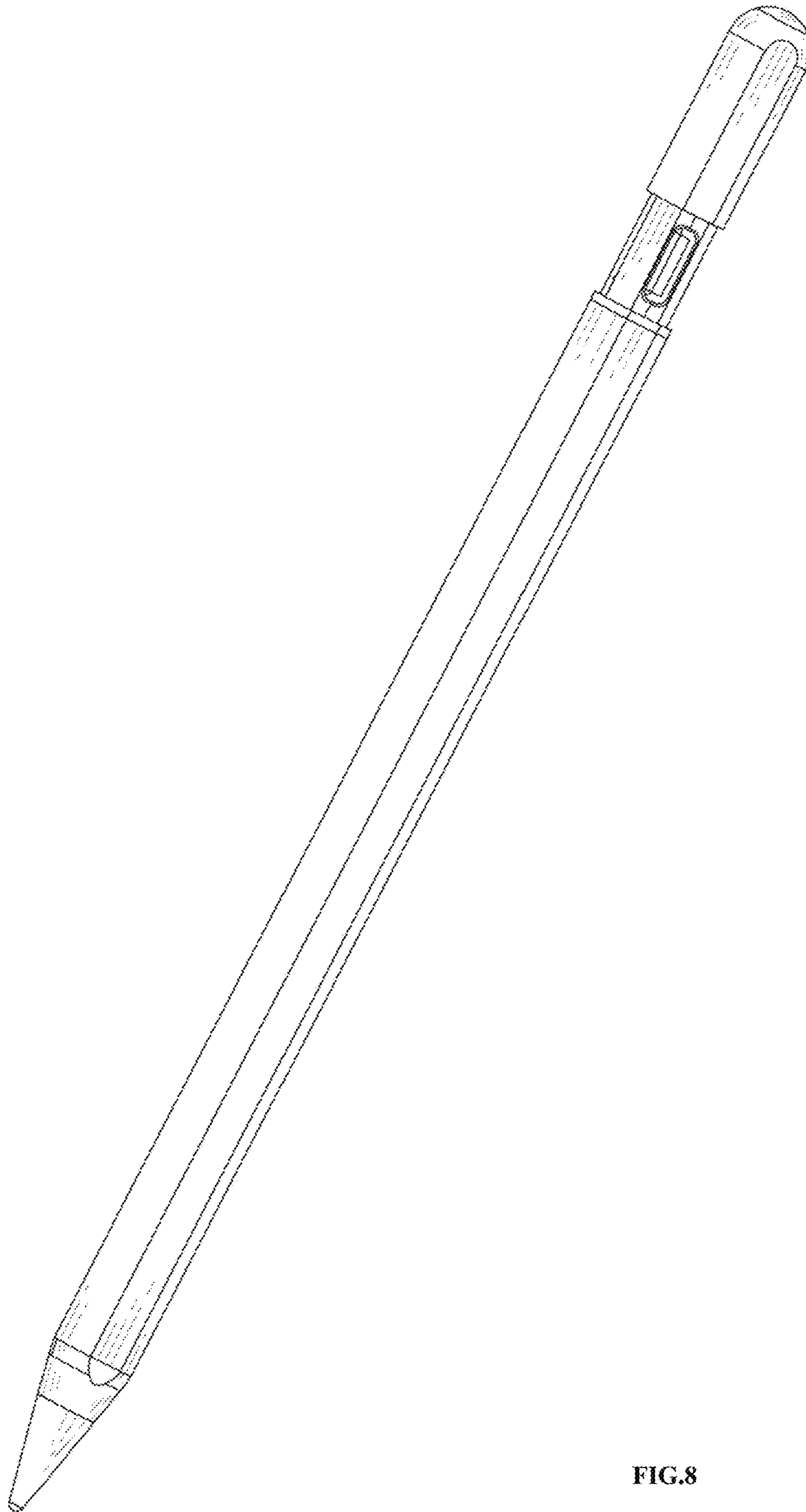


FIG. 8