



US00D921627S

(12) **United States Design Patent** (10) **Patent No.:** **US D921,627 S**
Jun (45) **Date of Patent:** **** Jun. 8, 2021**

(54) **SSD(SOLID STATE DRIVE) MEMORY DEVICE**

(71) Applicant: **SAMSUNG ELECTRONICS CO., LTD.**, Suwon-si (KR)

(72) Inventor: **Gye-Jin Jun**, Suwon-si (KR)

(73) Assignee: **SAMSUNG ELECTRONICS CO., LTD.**, Suwon-si (KR)

(**) Term: **15 Years**

(21) Appl. No.: **29/713,815**

(22) Filed: **Nov. 19, 2019**

(30) **Foreign Application Priority Data**

Jul. 30, 2019 (KR) 30-2019-0036483

(51) **LOC (13) Cl.** **14-02**

(52) **U.S. Cl.**
USPC **D14/348**; D14/384; D14/356

(58) **Field of Classification Search**
USPC D14/348-370, 383-385, 432, 433, 435, D14/436, 474, 480, 440, 498, 500, 502, D14/300-302, 314, 125, 135, 155, 496, D14/240-242, 299, 203.1, 203.3, 214; D13/103, 107, 108, 184, 199; D3/276, D3/294; D10/46, 49, 75, 104.1
CPC ... G11B 33/027; G11B 33/122; G11B 33/124; G11B 33/00; G11B 33/02; G11B 33/022; G11B 33/025; H05K 5/00; H05K 5/0213; H05K 7/00; H05K 7/1427; G06F 1/187
See application file for complete search history.

(56) **References Cited**

U.S. PATENT DOCUMENTS

D248,470 S * 7/1978 Talesfore D14/435
D260,762 S * 9/1981 Peroni D10/103
D333,633 S * 3/1993 Issa D10/106.1
D346,607 S * 5/1994 Bhargava D14/242

D357,684 S * 4/1995 Moreland D14/240
D367,270 S * 2/1996 Levering D14/384
D383,732 S * 9/1997 Haley D14/435
D435,522 S * 12/2000 Ohlwine D13/162
D463,416 S * 9/2002 Tomino D14/240
D484,128 S * 12/2003 Chung D14/356
D486,479 S * 2/2004 Chung D14/240

(Continued)

OTHER PUBLICATIONS

Portable hard drives. (Design—© Questel) orbit.com. [online PDF of Foreign Prior Art references selected by Examiner] 98 pgs. Print Dates range Jan. 1, 2019-Jun. 12, 2020 [Retrieved Feb. 10, 2021] <https://www.orbit.com/export/QPTUJ214/pdf2/78cfd389-de09-4253-8aa8-324b3278c5d0-171340.pdf>.*

Primary Examiner — Marie D. Fast Horse

(74) *Attorney, Agent, or Firm* — Sughrue Mion, PLLC

(57) **CLAIM**

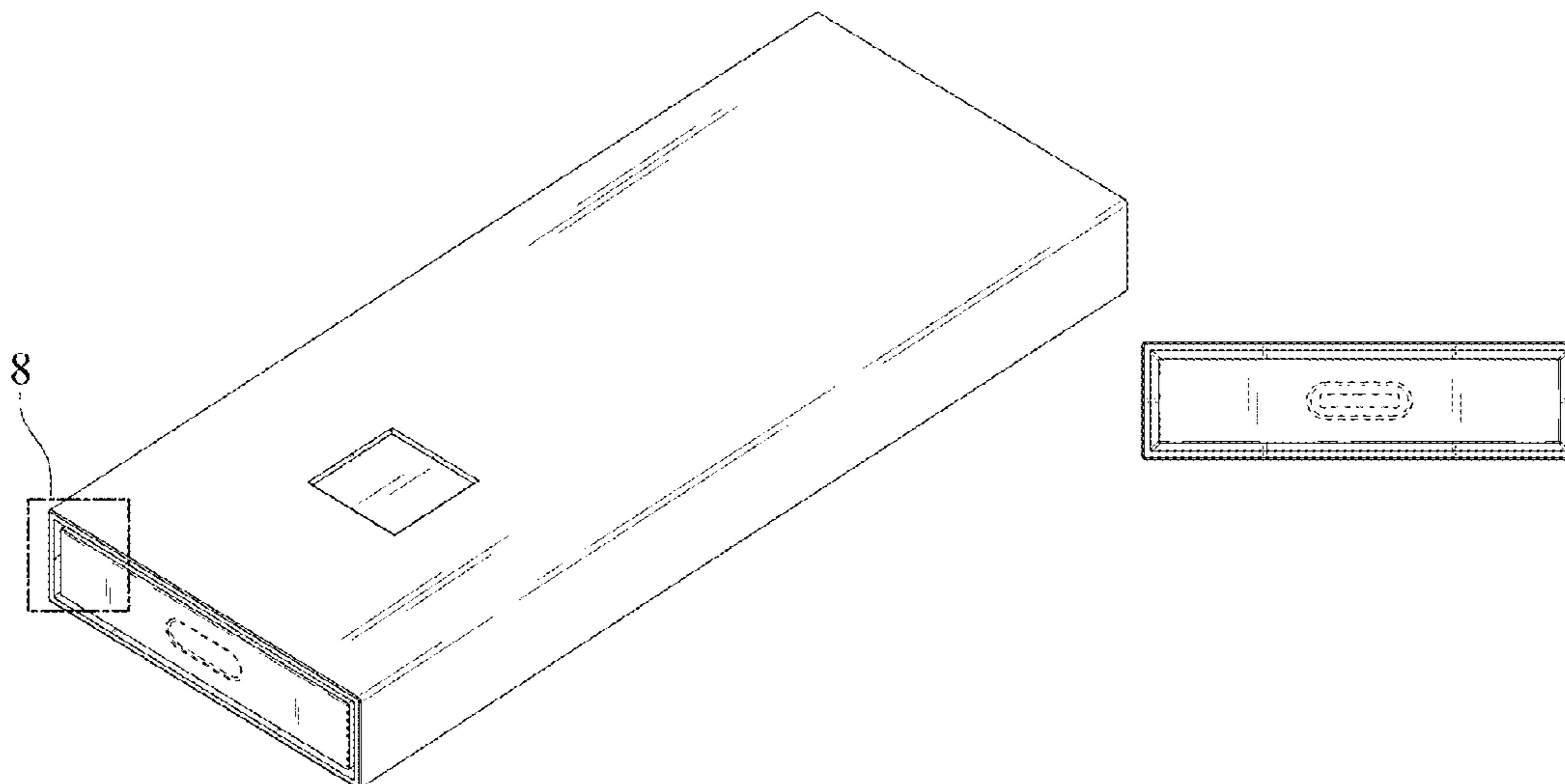
The ornamental design for a SSD(solid state drive) memory device, as shown and described.

DESCRIPTION

FIG. 1 is a perspective view of a SSD(solid state drive) memory device showing my new design;
FIG. 2 is a front view thereof;
FIG. 3 is a rear view thereof;
FIG. 4 is a left-side view thereof;
FIG. 5 is a right-side view thereof;
FIG. 6 is a top plan view thereof;
FIG. 7 is a bottom plan view thereof; and,
FIG. 8 is an enlarged view of the encircled portion 8 in FIG. 1.

The evenly dashed broken lines in the figures depict portions of the SSD(solid state drive) memory device that form no part of the claimed design. The dot-dash broken lines encircling portions of the claimed design that are illustrated in enlargements form no part of the claimed design.

1 Claim, 8 Drawing Sheets



(56)

References Cited

U.S. PATENT DOCUMENTS

D509,182 S * 9/2005 Takeshita D13/103
 D514,105 S * 1/2006 Ohta D14/384
 D516,503 S * 3/2006 Takeshita D13/103
 D516,556 S * 3/2006 Graziano D14/359
 D529,512 S * 10/2006 Reawsanguanwong .. D14/203.3
 D531,629 S * 11/2006 Boulware D14/346
 D541,785 S * 5/2007 Hwang D14/138 G
 D565,568 S * 4/2008 Trifilio D14/356
 D565,571 S * 4/2008 Trifilio D14/356
 D576,619 S * 9/2008 Udagawa D14/435.1
 D576,978 S * 9/2008 Kawasaki D14/498
 D577,019 S * 9/2008 Udagawa D14/435.1
 D590,336 S * 4/2009 Tatehata D13/103
 D590,769 S * 4/2009 Tatehata D13/103
 D591,289 S * 4/2009 Tsuchiya D14/363
 D594,402 S * 6/2009 Inoue D13/103
 D618,238 S * 6/2010 Sin D14/356
 D649,548 S * 11/2011 Szoke D14/384
 D670,681 S * 11/2012 Chang D14/242
 D693,874 S * 11/2013 Daniel D19/10
 D701,900 S * 4/2014 Daniel D19/10
 D707,203 S * 6/2014 Xie D14/214
 D709,823 S * 7/2014 Corley D13/103
 D718,307 S * 11/2014 Ozolins D14/383
 D728,675 S * 5/2015 Daniel D18/4.6
 D733,713 S * 7/2015 Shim D14/435
 D741,862 S * 10/2015 Beroukhim D14/384
 D764,479 S * 8/2016 Kim D14/480.1
 D766,866 S * 9/2016 Cho D14/167
 D780,116 S * 2/2017 Bing D13/107
 D781,794 S * 3/2017 Gargani D14/125
 D781,812 S * 3/2017 Cho D14/204

D782,479 S * 3/2017 Bruno D14/384
 D785,623 S * 5/2017 Kaiya D14/384
 D790,521 S * 6/2017 Chung D14/248
 D790,522 S * 6/2017 Chung D14/248
 D809,896 S * 2/2018 Gokcebay D8/331
 D812,000 S * 3/2018 Li D13/108
 D825,562 S * 8/2018 Segal D14/384
 D827,649 S * 9/2018 Shim D14/435.1
 D833,415 S * 11/2018 Kitazawa D14/204
 D838,271 S * 1/2019 Kaneko D14/384
 D843,998 S * 3/2019 Bolotin D14/348
 D844,604 S * 4/2019 Bolotin D14/365
 D845,953 S * 4/2019 Boehmer D14/433
 D847,813 S * 5/2019 Jun D14/356
 D848,392 S * 5/2019 Zeng D14/159
 D848,418 S * 5/2019 Jun D14/348
 D848,419 S * 5/2019 Jun D14/348
 D863,024 S * 10/2019 Gokcebay D8/330
 D863,025 S * 10/2019 Gokcebay D8/330
 D863,026 S * 10/2019 Gokcebay D8/330
 D863,027 S * 10/2019 Gokcebay D8/330
 D863,028 S * 10/2019 Gokcebay D8/330
 D863,029 S * 10/2019 Gokcebay D8/330
 D866,558 S * 11/2019 Shim D14/435
 D890,177 S * 7/2020 Mikami D14/384
 D892,796 S * 8/2020 Paul H02B 1/44
 D14/384
 D894,183 S * 8/2020 Min D14/384
 2005/0243506 A1 * 11/2005 Robertson G11B 33/025
 361/679.32
 2007/0019845 A1 * 1/2007 Kato G06K 9/00013
 382/126
 2007/0255881 A1 * 11/2007 Lin G06F 1/187
 710/302

* cited by examiner

FIG. 1

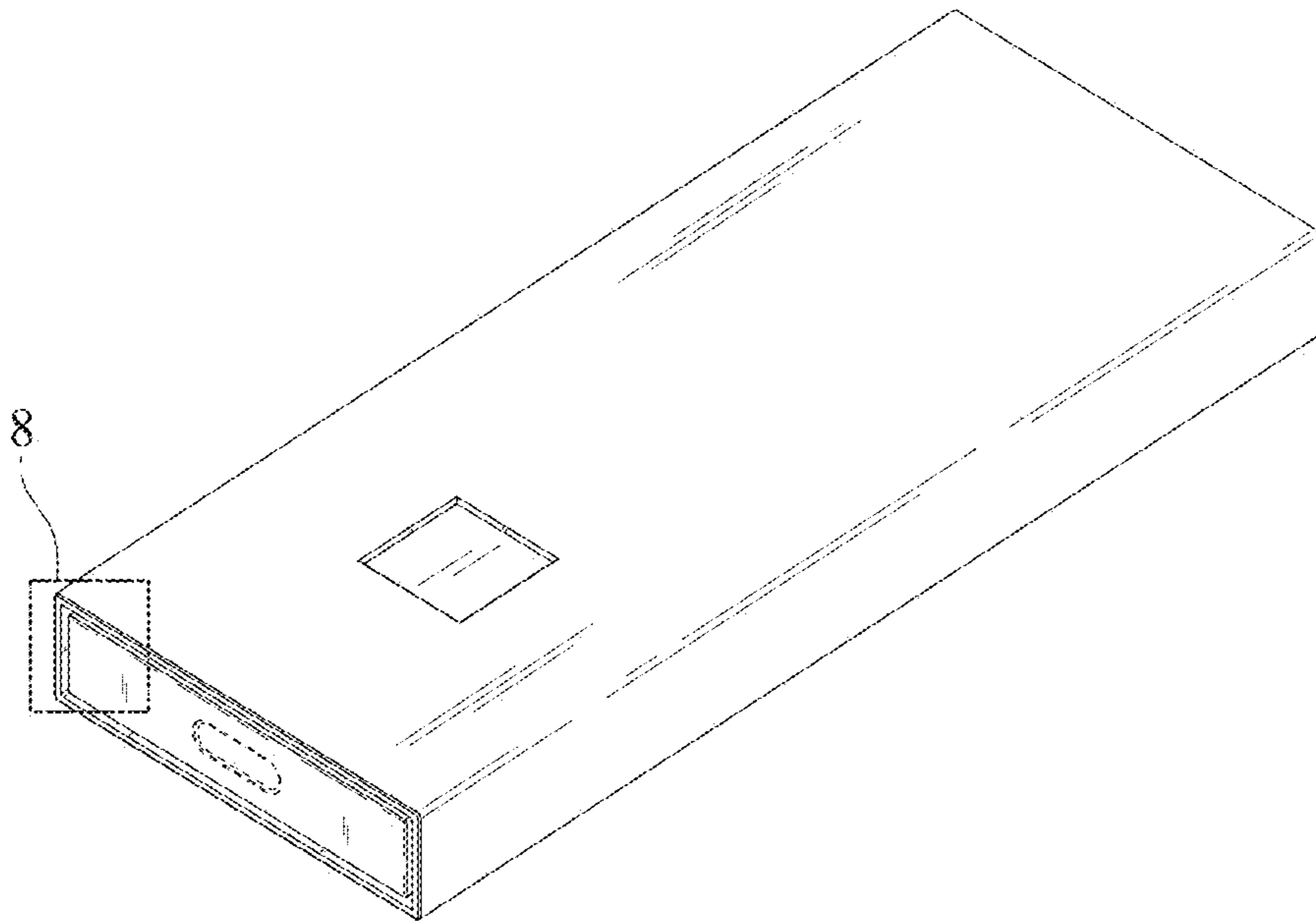


FIG. 2

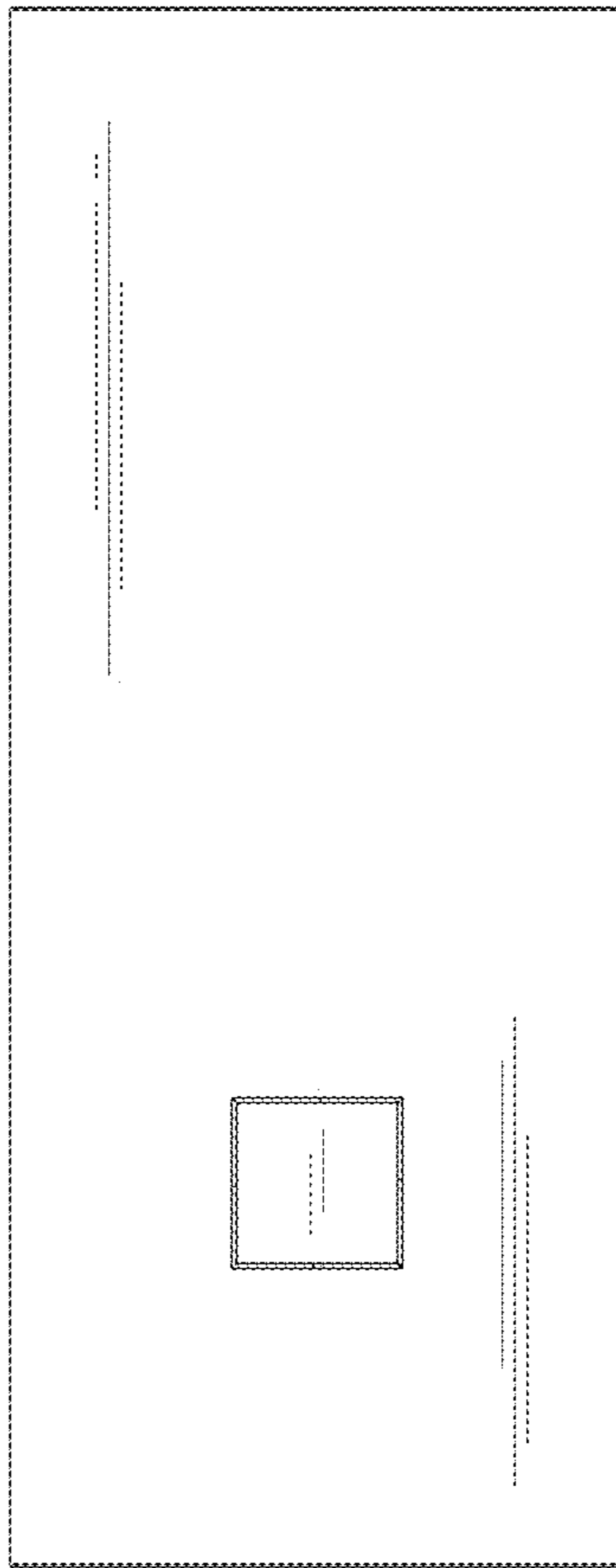


FIG. 3

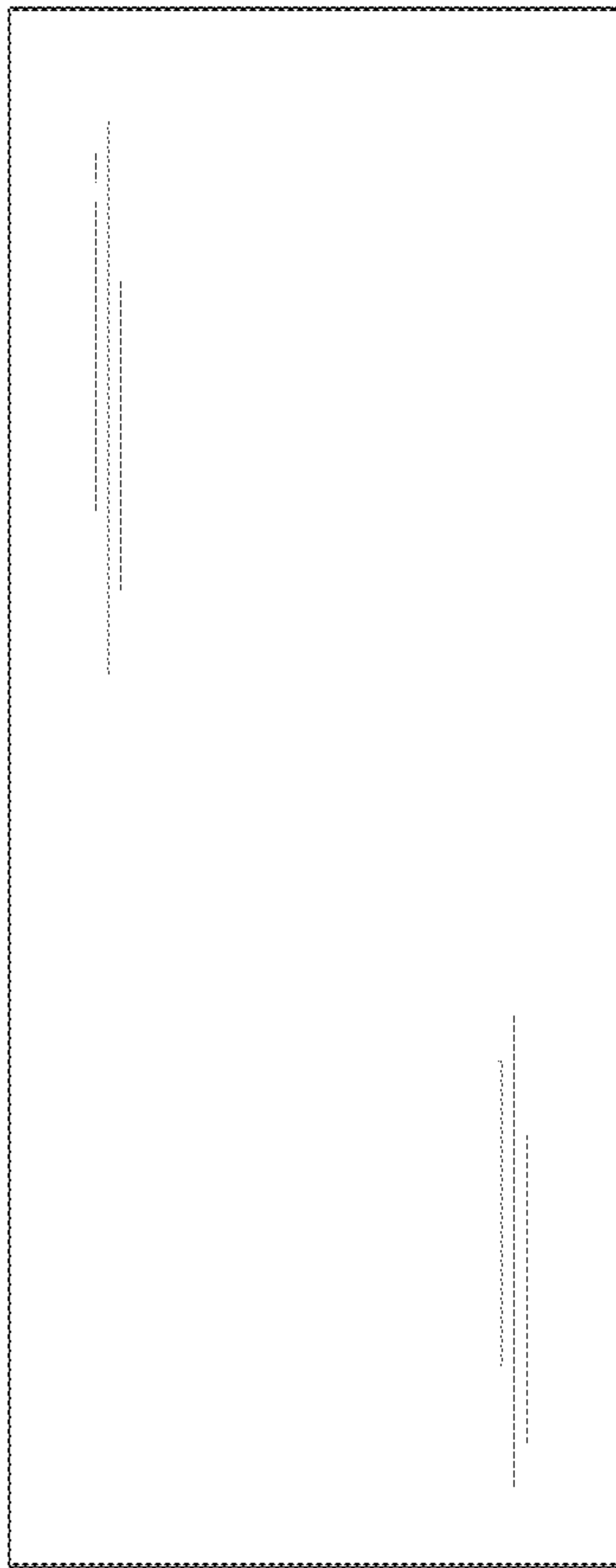


FIG. 4

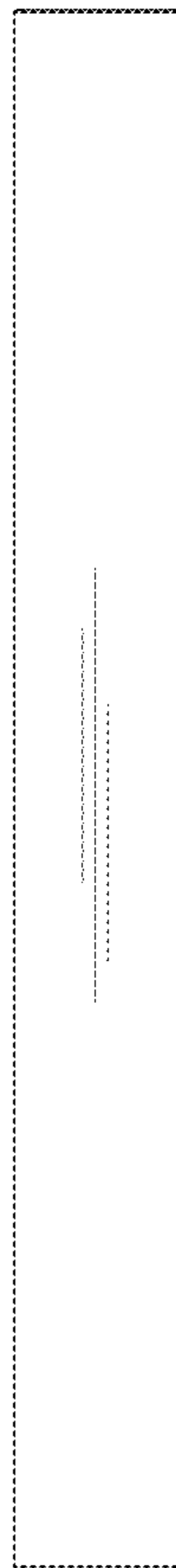


FIG. 5

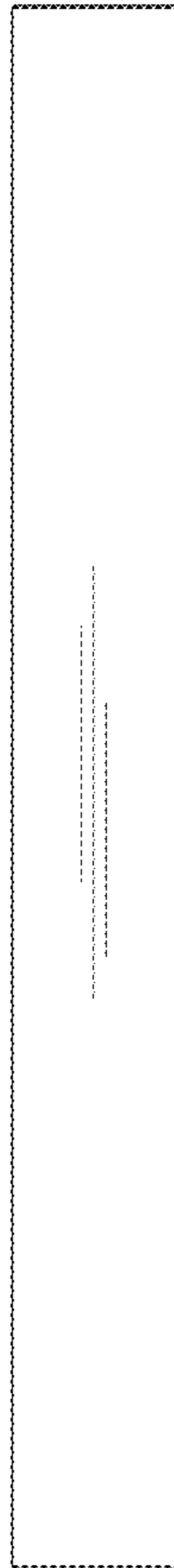


FIG. 6



FIG. 7

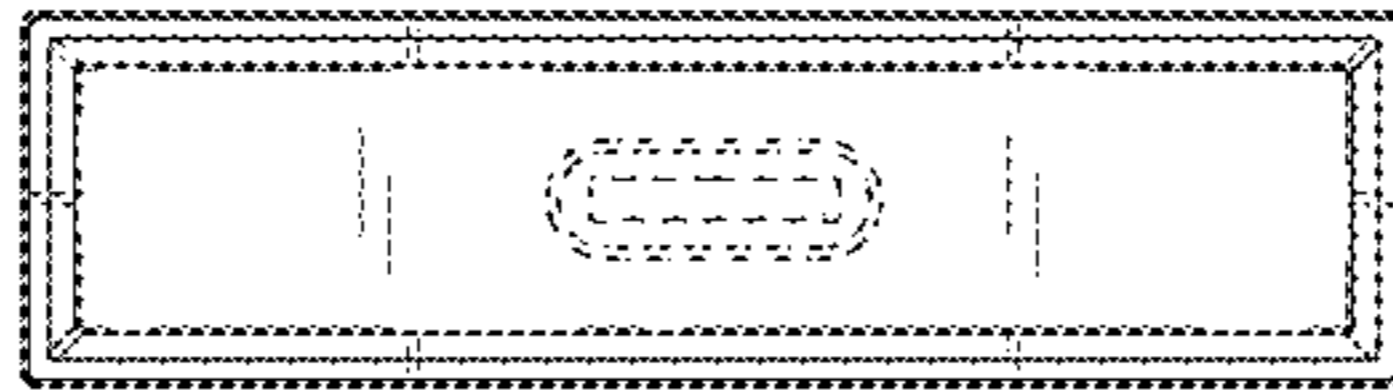


FIG. 8

