



US00D921626S

(12) **United States Design Patent**  
**Jun**

(10) **Patent No.:** **US D921,626 S**  
(45) **Date of Patent:** **\*\* Jun. 8, 2021**

(54) **SSD(SOLID STATE DRIVE) MEMORY DEVICE**

(71) Applicant: **SAMSUNG ELECTRONICS CO., LTD.**, Suwon-si (KR)

(72) Inventor: **Gye-Jin Jun**, Suwon-si (KR)

(73) Assignee: **SAMSUNG ELECTRONICS CO., LTD.**, Suwon-si (KR)

(\*\*) Term: **15 Years**

(21) Appl. No.: **29/713,812**

(22) Filed: **Nov. 19, 2019**

(30) **Foreign Application Priority Data**

Jul. 30, 2019 (KR) ..... 30-2019-0036474

(51) **LOC (13) Cl.** ..... **14-02**

(52) **U.S. Cl.**  
USPC ..... **D14/348**; D14/384; D14/356

(58) **Field of Classification Search**  
USPC ..... D14/348-370, 383-385, 432, 433, 435, D14/436, 474, 480, 440, 498, 500, 502, D14/300-302, 314, 125, 135, 155, 496, D14/240-242, 299, 203.1, 203.3, 214; D13/103, 107, 108, 184, 199; D3/276, D3/294; D10/46, 49, 75, 104.1  
CPC ... G11B 33/027; G11B 33/122; G11B 33/124; G11B 33/00; G11B 33/02; G11B 33/022; G11B 33/025; H05K 5/00; H05K 5/0213; H05K 7/00; H05K 7/1427; G06F 1/187  
See application file for complete search history.

(56) **References Cited**

**U.S. PATENT DOCUMENTS**

D248,470 S \* 7/1978 Talesfore ..... D14/435  
D260,762 S \* 9/1981 Peroni ..... D10/103  
D333,633 S \* 3/1993 Issa ..... D10/106.1  
D346,607 S \* 5/1994 Bhargava ..... D14/242

D357,684 S \* 4/1995 Moreland ..... D14/240  
D367,270 S \* 2/1996 Levering ..... D14/384  
D383,732 S \* 9/1997 Haley ..... D14/435  
D435,522 S \* 12/2000 Ohlwine ..... D13/162  
D463,416 S \* 9/2002 Tomino ..... D14/240  
D484,128 S \* 12/2003 Chung ..... D14/356  
D486,479 S \* 2/2004 Chung ..... D14/240  
D509,182 S \* 9/2005 Takeshita ..... D13/103

(Continued)

**OTHER PUBLICATIONS**

Portable hard drives. (Design—© Questel) orbit.com. [online PDF of Foreign Prior Art references] 98 pgs. Print Dates range Jan. 1, 2019-Jun. 12, 2020 [Retrieved Feb. 10, 2021] <https://www.orbit.com/export/QPTUJ214/pdf2/78cfd389-de09-4253-8aa8-324b3278c5d0-171340.pdf>.\*

*Primary Examiner* — Marie D. Fast Horse

(74) *Attorney, Agent, or Firm* — Sughrue Mion, PLLC

(57) **CLAIM**

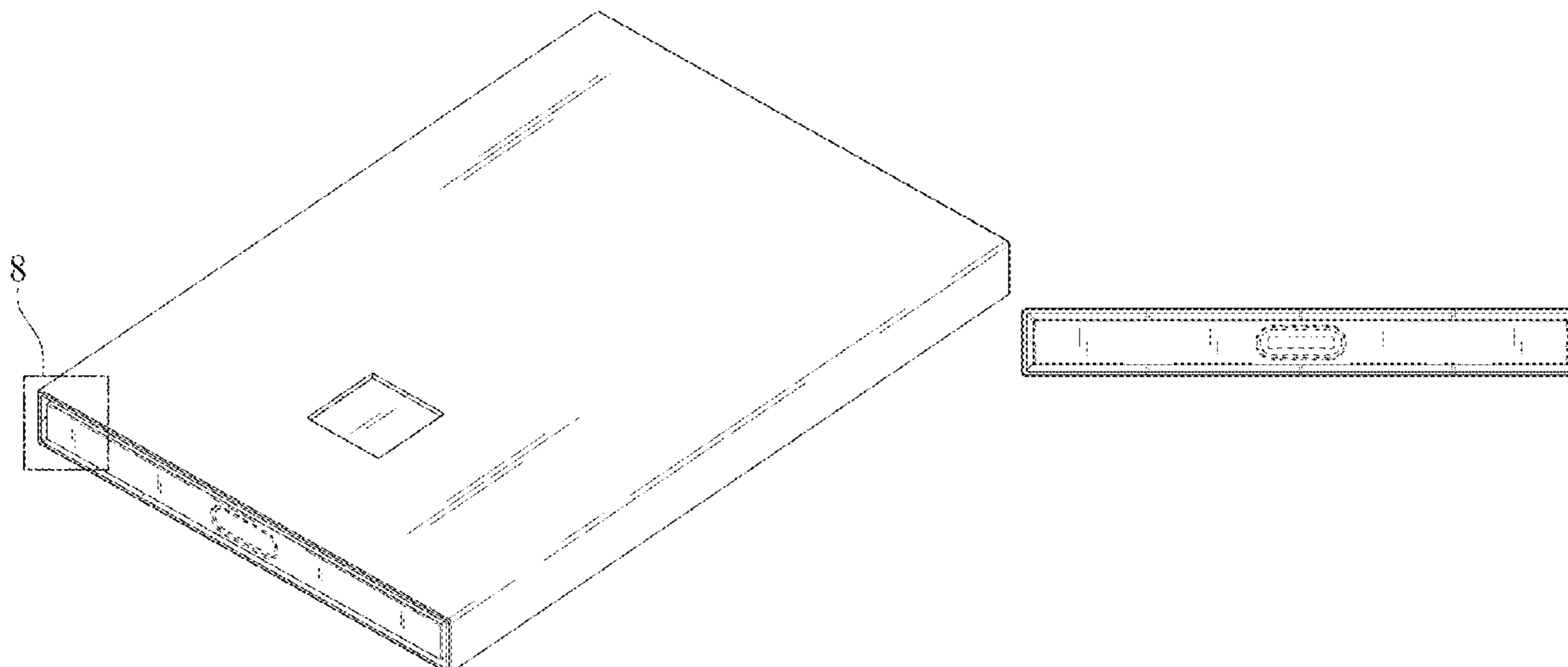
The ornamental design for a SSD(solid state drive) memory device, as shown and described.

**DESCRIPTION**

FIG. 1 is a perspective view of a SSD(solid state drive) memory device showing my new design;  
FIG. 2 is a front view thereof;  
FIG. 3 is a rear view thereof;  
FIG. 4 is a left-side view thereof;  
FIG. 5 is a right-side view thereof;  
FIG. 6 is a top plan view thereof;  
FIG. 7 is a bottom plan view thereof; and,  
FIG. 8 is an enlarged view of the encircled portion 8 in FIG. 1.

The evenly dashed broken lines in the figures depict portions of the SSD(solid state drive) memory device that form no part of the claimed design. The dot-dash broken lines encircling portions of the claimed design that are illustrated in enlargements form no part of the claimed design.

**1 Claim, 8 Drawing Sheets**



(56)

References Cited

U.S. PATENT DOCUMENTS

D514,105 S *	1/2006	Ohta	D14/384	D785,623 S *	5/2017	Kaiya	D14/384
D516,503 S *	3/2006	Takeshita	D13/103	D790,521 S *	6/2017	Chung	D14/248
D516,556 S *	3/2006	Graziano	D14/359	D790,522 S *	6/2017	Chung	D14/248
D529,512 S *	10/2006	Reawsanguanwong	D14/203.3	D809,896 S *	2/2018	Gokcebay	D8/331
D531,629 S *	11/2006	Boulware	D14/346	D812,000 S *	3/2018	Li	D13/108
D541,785 S *	5/2007	Hwang	D14/138 G	D825,562 S *	8/2018	Segal	D14/384
D565,568 S *	4/2008	Trifilio	D14/356	D827,649 S *	9/2018	Shim	D14/435.1
D565,571 S *	4/2008	Trifilio	D14/356	D833,415 S *	11/2018	Kitazawa	D14/204
D576,619 S *	9/2008	Udagawa	D14/435.1	D838,271 S *	1/2019	Kaneko	D14/384
D576,978 S *	9/2008	Kawasaki	D14/498	D843,998 S *	3/2019	Bolotin	D14/348
D577,019 S *	9/2008	Udagawa	D14/435.1	D844,604 S *	4/2019	Bolotin	D14/365
D590,336 S *	4/2009	Tatehata	D13/103	D845,953 S *	4/2019	Boehmer	D14/433
D590,769 S *	4/2009	Tatehata	D13/103	D847,813 S *	5/2019	Jun	D14/356
D591,289 S *	4/2009	Tsuchiya	D14/363	D848,392 S *	5/2019	Zeng	D14/159
D594,402 S *	6/2009	Inoue	D13/103	D848,418 S *	5/2019	Jun	D14/348
D618,238 S *	6/2010	Sin	D14/356	D848,419 S *	5/2019	Jun	D14/348
D649,548 S *	11/2011	Szoke	D14/384	D863,024 S *	10/2019	Gokcebay	D8/330
D670,681 S *	11/2012	Chang	D14/242	D863,025 S *	10/2019	Gokcebay	D8/330
D693,874 S *	11/2013	Daniel	D19/10	D863,026 S *	10/2019	Gokcebay	D8/330
D701,900 S *	4/2014	Daniel	D19/10	D863,027 S *	10/2019	Gokcebay	D8/330
D707,203 S *	6/2014	Xie	D14/214	D863,028 S *	10/2019	Gokcebay	D8/330
D709,823 S *	7/2014	Corley	D13/103	D863,029 S *	10/2019	Gokcebay	D8/330
D718,307 S *	11/2014	Ozolins	D14/383	D866,558 S *	11/2019	Shim	D14/435
D728,675 S *	5/2015	Daniel	D18/4.6	D890,177 S *	7/2020	Mikami	D14/384
D733,713 S *	7/2015	Shim	D14/435	D892,796 S *	8/2020	Paul	H02B 1/44 D14/384
D741,862 S *	10/2015	Beroukhim	D14/384	D894,183 S *	8/2020	Min	D14/384
D764,479 S *	8/2016	Kim	D14/480.1	2005/0243506 A1 *	11/2005	Robertson	G11B 33/025 361/679.32
D766,866 S *	9/2016	Cho	D14/167	2007/0019845 A1 *	1/2007	Kato	G06K 9/00013 382/126
D780,116 S *	2/2017	Bing	D13/107	2007/0255881 A1 *	11/2007	Lin	G06F 1/187 710/302
D781,794 S *	3/2017	Gargani	D14/125				
D781,812 S *	3/2017	Cho	D14/204				
D782,479 S *	3/2017	Bruno	D14/384				

\* cited by examiner

FIG. 1

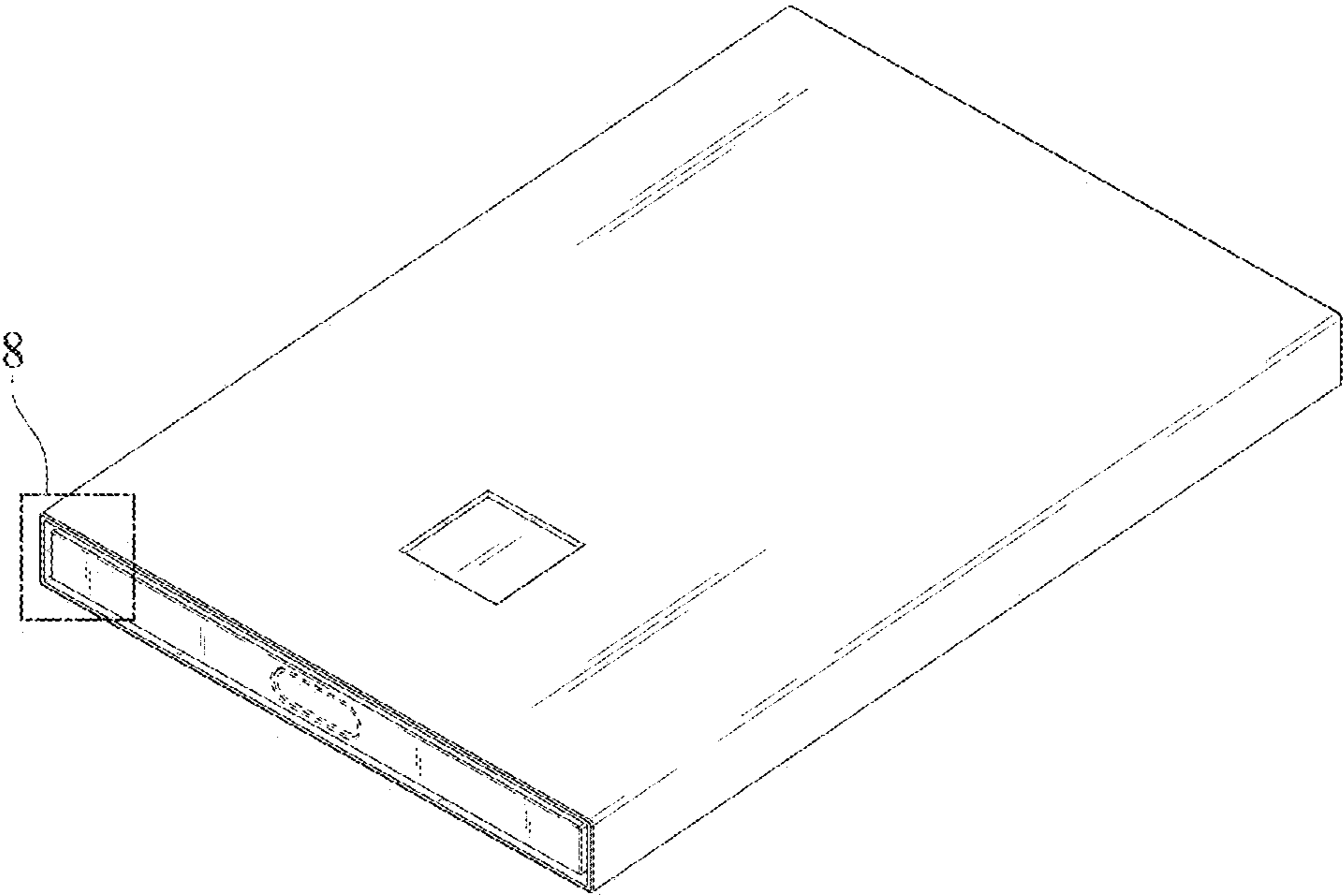


FIG. 2

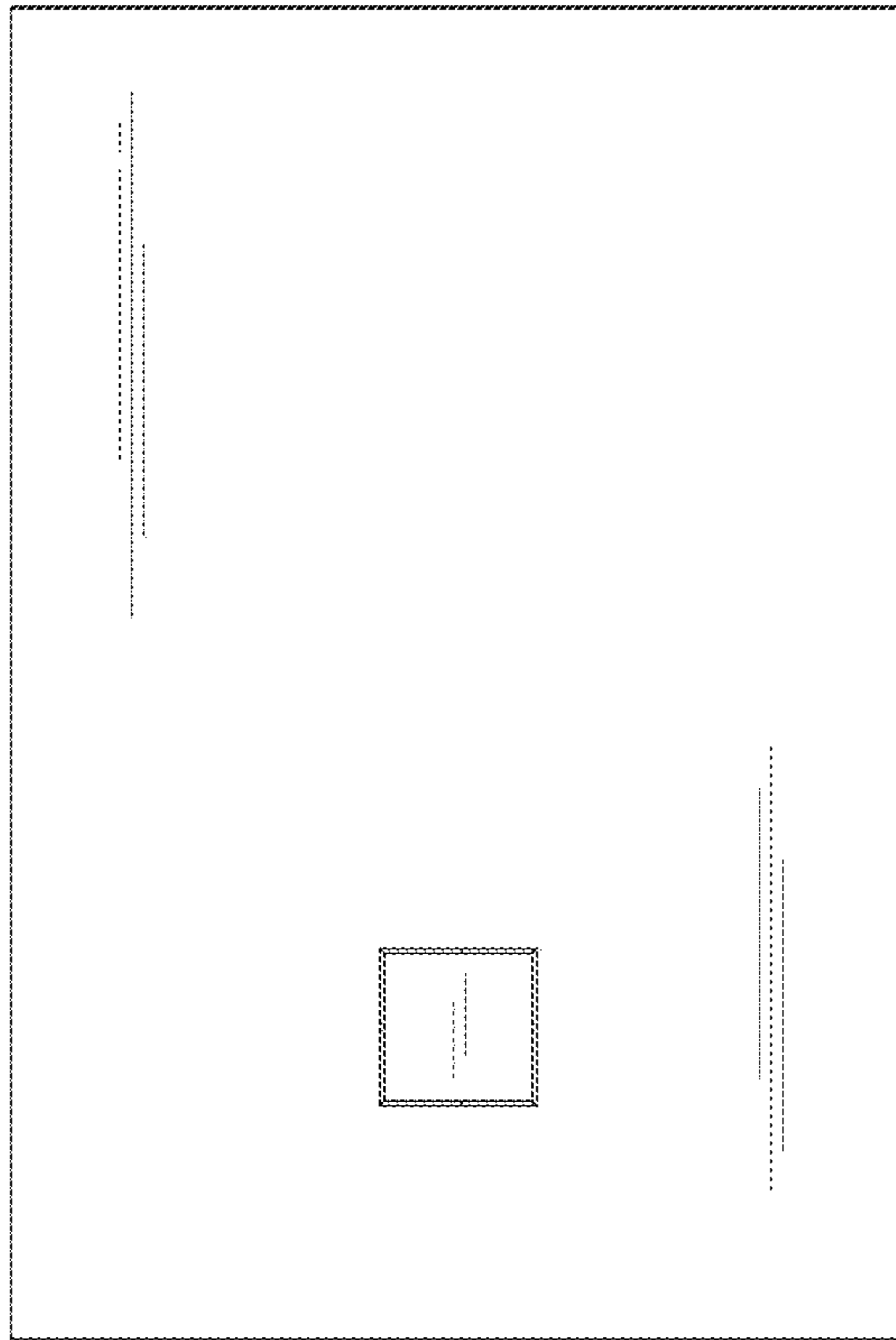


FIG. 3

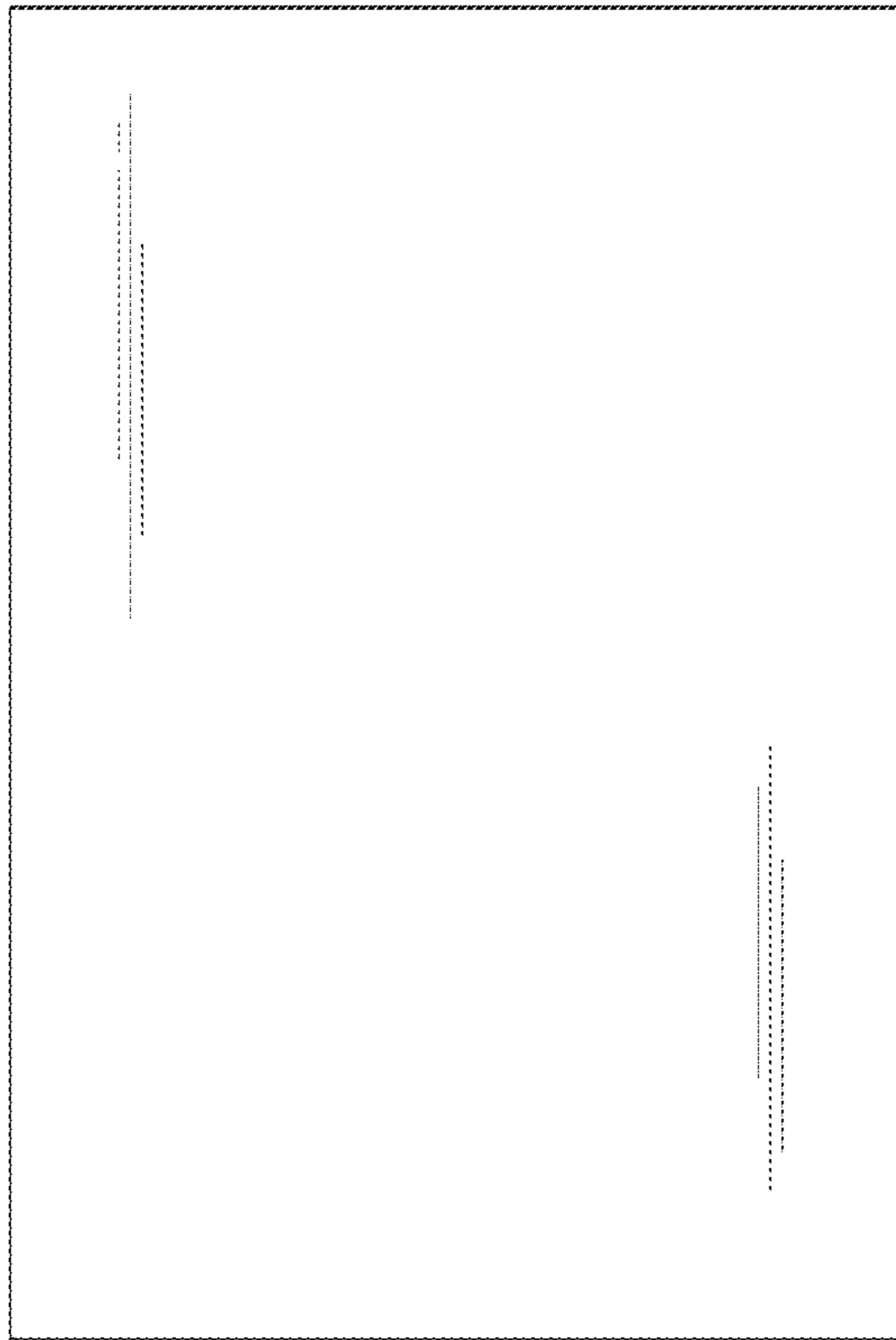


FIG. 4

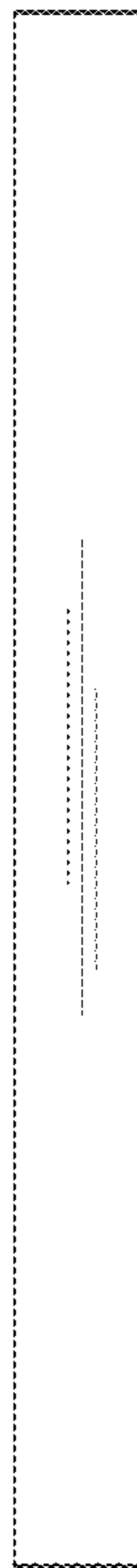


FIG. 5

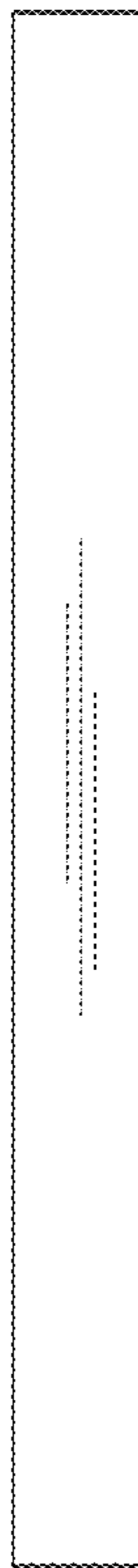


FIG. 6





FIG. 7

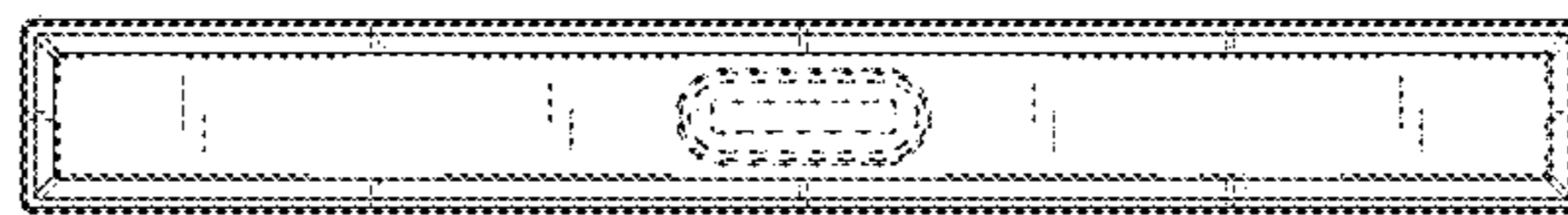


FIG. 8

