

US00D921625S

(12) **United States Design Patent** (10) **Patent No.:** **US D921,625 S**  
**Lee et al.** (45) **Date of Patent:** **\*\* Jun. 8, 2021**

(54) **WATCH WITH DISPLAY**

(56) **References Cited**

(71) Applicant: **Garmin Switzerland GmbH**,  
Schaffhausen (CH)  
(72) Inventors: **Juhee Lee**, Olathe, KS (US); **Michael J. Soleo**, Kansas City, MO (US);  
**Dustin L. Kelsey**, Bonner Springs, KS (US); **Christopher J. Hanshew**,  
Lenexa, KS (US); **Kenneth E. Hsieh**,  
San Francisco, CA (US)  
(73) Assignee: **Garmin Switzerland GmbH**  
(\*\*) Term: **15 Years**  
(21) Appl. No.: **29/701,148**  
(22) Filed: **Aug. 8, 2019**  
(51) **LOC (13) Cl.** ..... **14-02**  
(52) **U.S. Cl.**  
USPC ..... **D14/344**  
(58) **Field of Classification Search**  
USPC ... D14/126-130, 138, 138 R, 144, 300, 341,  
D14/344, 358, 388, 485-495, 218;  
D10/30-39, 40, 41, 46, 70, 79, 98, 106.5,  
D10/106.6, 106.92, 106.94, 114.6, 123,  
D10/125-128, 131; D11/1-4, 26, 40-41,  
D11/93, 94, 78.1, 79, 86; D24/167-169,  
D24/186-187, 164; D21/324-329  
CPC ..... A41D 1/002; A41D 19/0034; G06F 1/08;  
G06F 1/10; G06F 1/14; G06F 1/1626;  
G06F 1/1628; G06F 1/163; G06F 1/1635;  
G06F 1/3203; G06F 1/1613; G06F  
2200/1633; G06F 3/0488; G06F 3/04886;  
G06F 3/044; G06F 3/0412; G06F 3/0416;  
G06Q 20/10; G06Q 20/12; G06Q 20/108;  
G06Q 20/145; H04B 1/3833; H04B  
1/385; H04B 1/3888; H04M 1/02; H04M  
1/03; H04M 1/04; H04M 1/05; H04M  
1/667; H04M 1/6058; Y02B 60/1217  
See application file for complete search history.

U.S. PATENT DOCUMENTS

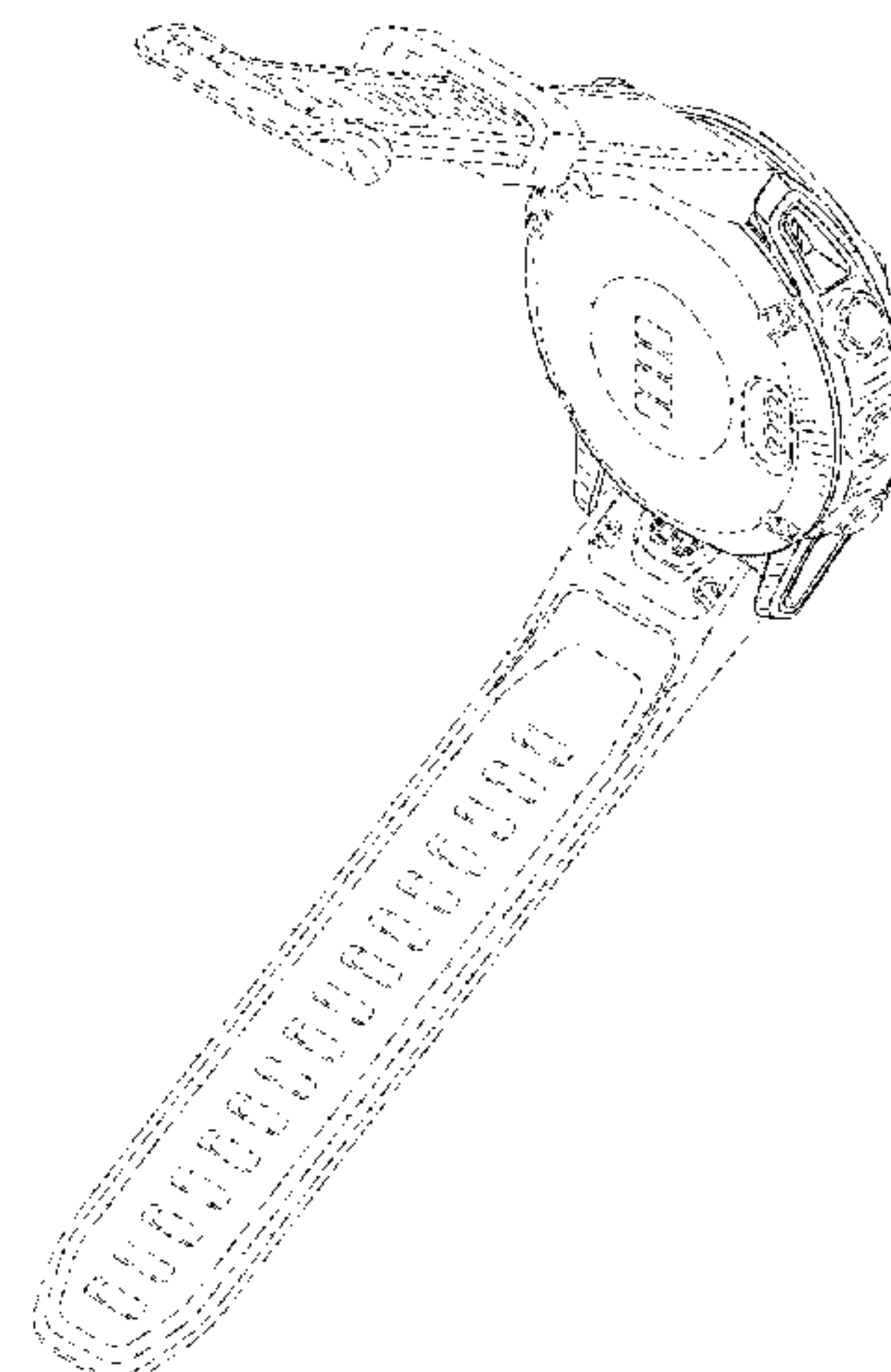
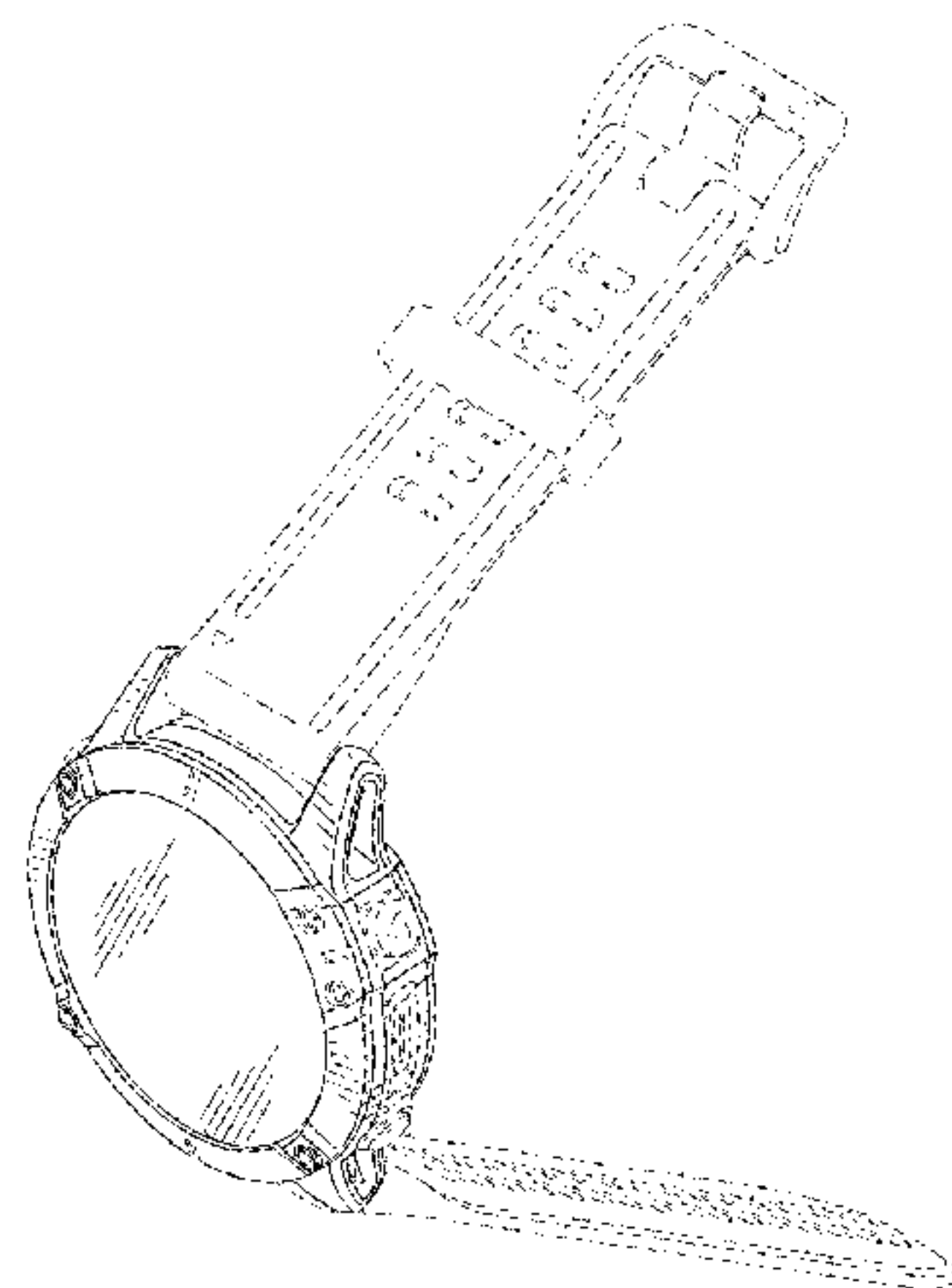
D222,784 S	12/1971	Granges	
3,733,809 A	5/1973	Reiter et al.	
3,740,944 A	6/1973	Chopard	
3,901,023 A	8/1975	Uebelhardt	
D317,265 S	6/1991	Giolla et al.	
5,226,023 A	7/1993	Grimm	
D417,158 S	11/1999	Krauss	
D459,241 S	6/2002	Bodino	
D471,115 S	3/2003	Buechner	
6,577,558 B1	6/2003	Ricci	
D504,624 S	5/2005	Bodino	
D538,182 S	3/2007	Lalo	
D573,486 S	7/2008	Sanz	
D585,310 S	1/2009	Allison	
D592,975 S	5/2009	Markl	
D607,346 S	1/2010	Bove et al.	
D610,922 S	3/2010	Lammers-Meis et al.	
D633,812 S	3/2011	Yurman	
D658,079 S	4/2012	Emch	
D658,518 S	5/2012	Behling	
D660,727 S	5/2012	Parmigiani	
D661,206 S	6/2012	Register et al.	
D664,865 S	8/2012	Luk Ying Yee	
D682,712 S	5/2013	Lammers-Meis et al.	
D731,455 S *	6/2015	Park	D14/138 R
D749,431 S *	2/2016	Babcock	D10/30
D752,583 S *	3/2016	Solomon	D14/344
D756,240 S	5/2016	Register et al.	
D776,109 S *	1/2017	Shin	D14/344
D794,632 S *	8/2017	Solomon	D14/344
D805,405 S *	12/2017	Henne	D10/30
D805,406 S *	12/2017	Register	D10/30
D806,581 S *	1/2018	Register	D10/30
D836,464 S *	12/2018	Liu	D10/30
D836,465 S	12/2018	Register	
2019/0015044 A1 *	1/2019	Yanagisawa	A61B 5/02416
2019/0379122 A1 *	12/2019	Kenkel	H01Q 7/00

FOREIGN PATENT DOCUMENTS

CN 202030172452.4 \* 4/2020

OTHER PUBLICATIONS

VIBE 3 Flagship Smartwatch, aliexpress.com, [online], [site visited Feb. 4, 2021], Available from internet URL:https://www.aliexpress.com/item/4000395265088.html?spm=a2g0o.productlist.0.0.





4da77309YlnG2K&algo\_pvid=ffec0f4-a2bc-420c-83bc-19a1f6d25%E2%80%A6 (Year: 2020).\*

fēnix® 6, garmin.com, [online], [site visited Feb. 4, 2021], Available from internet URL: <https://buy.garmin.com/en-US/US/p/641479> (Year: 2021).\*

Garmin Fenix 6X Pro, first available Oct. 15, 2019, amazon.com, [online], [site visited Feb. 5, 2021], Available from internet URL: [https://www.amazon.com/Garmin-Multisport-features-Grade-Adjusted-Guidance/dp/B07Z5FH1T2/ref=pd\\_di\\_sccai\\_31?pd\\_rd\\_w=hzR5G&pf\\_rd\\_p=c94%E2%80%A6&th=1](https://www.amazon.com/Garmin-Multisport-features-Grade-Adjusted-Guidance/dp/B07Z5FH1T2/ref=pd_di_sccai_31?pd_rd_w=hzR5G&pf_rd_p=c94%E2%80%A6&th=1) (Year: 2019).\*

Moto 360 Sport, [site visited Oct. 1 2019] <https://www.motorola.com.au/products/moto-360-sport>.

Etienne, Stefan, Samsung Galaxy Sport leak shows a sleek bezel-less smartwatch, <https://www.theverge.com/2019/2/4/18211261/samsung-galaxy-sport-leak-shows-a-sleek-bezel-less-smartwatch>.

Garmin Forerunner 405, published Jan. 2008.

Garmin Forerunner 610, published Mar. 2011.

Huawei Watch, Timeless Design, Smart Within; <http://consumer.huawei.com/en/wearables/huawei-watch/index.htm>; published prior to Dec. 15, 2016.

Tissot T-Touch Titanium, <https://www.tissotwatches.com/en-gb/shop/tissot-t-touch-ii-titanium-gent-3.html>; published prior to Apr. 6, 2017.

Hublot Formula 1 King Power F1 Ceramic Limited Sealed, [site visited Nov. 16, 2017] <http://www.chrono24.com/nublot/formula-1-king-power-f1-ceramic-limited-sealed--id1818204.htm>; published prior to Dec. 15, 2016.

Raphael, Jr; Moto 360 Review: An elegant smartwatch with exceptional features, posted Sep. 15, 2014, <http://www.computerworld.com/article/2643100/moto-360-review-an-elegant-smartwatch-with-exceptional-features.html>; published prior to May 8, 2015.

Cookoo, the connected watch, [site visited Oct. 14, 2015] <http://www.cookoo2.com/>; published prior to May 21, 2015.

Linde Werdelin, Spidolite watches, <http://www.lindewerdelin.com/products/watches/spidolite>; published prior to May 21, 2012.

Ralph Lauren, la collection automotive, [http://www.ralphlauren.fr/category/index.jsp?categoryId=53519341&ab=fr\\_FR-Watches\\_LP\\_Slot\\_5\\_S1](http://www.ralphlauren.fr/category/index.jsp?categoryId=53519341&ab=fr_FR-Watches_LP_Slot_5_S1); published prior to Dec. 15, 2016.

Suunto sports watches for athletes, runners, outdoor adventurers, [site visited Feb. 23, 2017, <http://www.suunto.com/en-US/Product-search/See-all-Sports-Watches/?sortby=-New&searchTerm=traverse&page=0>]; published prior to Dec. 15, 2016.

Tag Heuer calibre heuer 01—chronograph titanium 43 mm, [site visited Nov. 23, 2016] <http://www.tagheuer.com/int-en/luxury-watches/carrera/carrera-calibre-heuer-01-chronograph-titanium-43mm-grey-others-bracelet>; published prior to Aug. 15, 2016.

Tag Heuer Carrera Calibre 1887 Automatic Chronograph 43 MM, [site visited Nov. 23, 2016] <http://www.tagheuer.com/int-en/luxury-watches/carrera/carrera-calibre-186-7automatic-chronograph43-mm-black-steel-bracelet-car2a10-pa0799>; published prior to Aug. 15, 2016.

Tissot T-touch tactile watch, [site visited Feb 23, 2017] <http://www.t-touch.com/en-en/#!/t-touch-expert-solar>; published prior to Dec. 15, 2016.

Practical Travel Gear, travel gear reviews, Timex Expedition E-compass Titanium Watch, [site visited Oct. 10, 2018] <http://practicaltravelgear.blogspot.com/2008/07/timex-expedition-e-compass-titanium.html>; published Jul. 2008.

Amazon Fashion, Salvatore Ferragamo Men's, black carbon fiber and back rubber watch, [site visited Nov. 16, 2017] <https://www.amazon.com/Salvatore-Ferragamo-F55LGO6877-S113-Carbon/dp/B007-O20FO8>; published prior to Apr. 6, 2017.

Amazon Fashion, Welder Men's k28-7100 Chronograph Black Ion-Plated Stainless Steel Round Watch, <https://www.amazon.com/Welder-K28-7100-Chronograph-Ion-Plated-Stainless/dp/B001PRFJOY>; published prior to Dec. 15, 2016.

Smith, Craig, Suunto X10, GPS Running Watch Review, [site visited Oct. 10, 2018] <http://www.gpsrunningwatchreview.com/reviews/suunto-x10-review>; published Nov. 2010.

Audemars Piguet—Swiss Luxury Watches, royal oak offshore, [site visited Nov. 16, 2017] <https://www.audemarspiquet.com/en/watch-collection/royal-oak-offshore/>; published prior to Dec. 15, 2016.

Bloomingdales—the greatest gift guide; [https://www.bloomingdales.com/shop/product/g-shock-g-steel-53.8mm?ID=2725-010&pla\\_country=US&cm\\_mmc=Google-PLA-ADC--Jewelry%20%26%20Accessories-NA--\\_G-shock\\_-869232168203USA&CAWELAID=120156070005934945&CAGPSPN=pla&CAAGID=-47685648719&CATCI=pla-383074889643&CATARGETID=120156070006241384&cadevice=-c&gclid="](https://www.bloomingdales.com/shop/product/g-shock-g-steel-53.8mm?ID=2725-010&pla_country=US&cm_mmc=Google-PLA-ADC--Jewelry%20%26%20Accessories-NA--_G-shock_-869232168203USA&CAWELAID=120156070005934945&CAGPSPN=pla&CAAGID=-47685648719&CATCI=pla-383074889643&CATARGETID=120156070006241384&cadevice=-c&gclid=)

EAlalOobChMlvMbeIL3B1wIVk6DsCh3QDwNMEAQYASABEqJNgvD\_BwE; published prior to Dec. 15, 2016.

Suunto Spartan, <https://www.suunto.com/en-us/Sports-Watch-Collections/Suunto-Spartan-Collection/>; published prior to Jun. 15, 2018.

Suunto Kailash, <https://www.suunto.com/en-us/Watch-Collection/Suunto-Kailash-Collection/> published prior to Jun. 15, 2018.

Suunto Elementum Ventus Brown Leather, [site visited Oct. 10, 2018] <https://www.suunto.com/en-us/Products/Sports-Watches/Suunto-Elementum-Ventus/Suunto-Elementum-Ventus-Brown-Leather>; published prior to Apr. 6, 2017.

Suunto Ambit In-Depth Review, [www.dcrainmaker.com/2012/04/suunto-ambit-in-depth-review.html](http://www.dcrainmaker.com/2012/04/suunto-ambit-in-depth-review.html); published prior to Sep. 29, 2015.

Suunto Ambit2 Black, integrated GPS watch with heart rate monitoring option, weather functions and suunto apps for all outdoor sports, [www.suunto.com/en-US/Products/Sports-Watches/Suunto-Ambit2/Suunto-Ambit2--Black/](http://www.suunto.com/en-US/Products/Sports-Watches/Suunto-Ambit2/Suunto-Ambit2--Black/); published prior to Sep. 29, 2015.

Casio MT G G-Shock Watch, [www.theaaronloy.com/wp-content/uploads/2013/07/Casio-MT-G-G-Shock-Watch.jpg](http://www.theaaronloy.com/wp-content/uploads/2013/07/Casio-MT-G-G-Shock-Watch.jpg); published prior to Sep. 29, 2015.

Casio Edifice 8, [www.watchtowhat.com/wp-content/uploads/2015/03/casio-edifice-8.jpg](http://www.watchtowhat.com/wp-content/uploads/2015/03/casio-edifice-8.jpg); published prior to Sep. 29, 2015.

Suunto Core, the outdoor watch, <https://www.suunto.com/en-us/Sports-Watch-Collections/Suunto-Core-Collection/>; published prior to Apr. 6, 2017.

Connor, Stephen W., U.S. Appl. No. 29/653,530; Watch With Display; filed Jun. 15, 2018.

Connor, Stephen W., U.S. Appl. No. 29/653,529; Watch With Display; filed Jun. 15, 2018.

\* cited by examiner

*Primary Examiner* — Samantha Q Lawrence

*Assistant Examiner* — Holly M Rodriguez

(74) *Attorney, Agent, or Firm* — Samuel M. Korte; Max M. Ali

(57)

## CLAIM

The ornamental design for a watch with display, as shown and described.

## DESCRIPTION

FIG. 1 is a front perspective view of a watch with display according to the present invention;

FIG. 2 is a rear perspective view of the watch with display;

FIG. 3 is a front view of the watch with display;

FIG. 4 is a rear view of the watch with display;

FIG. 5 is a top view of the watch with display;

FIG. 6 is a bottom view of the watch with display;

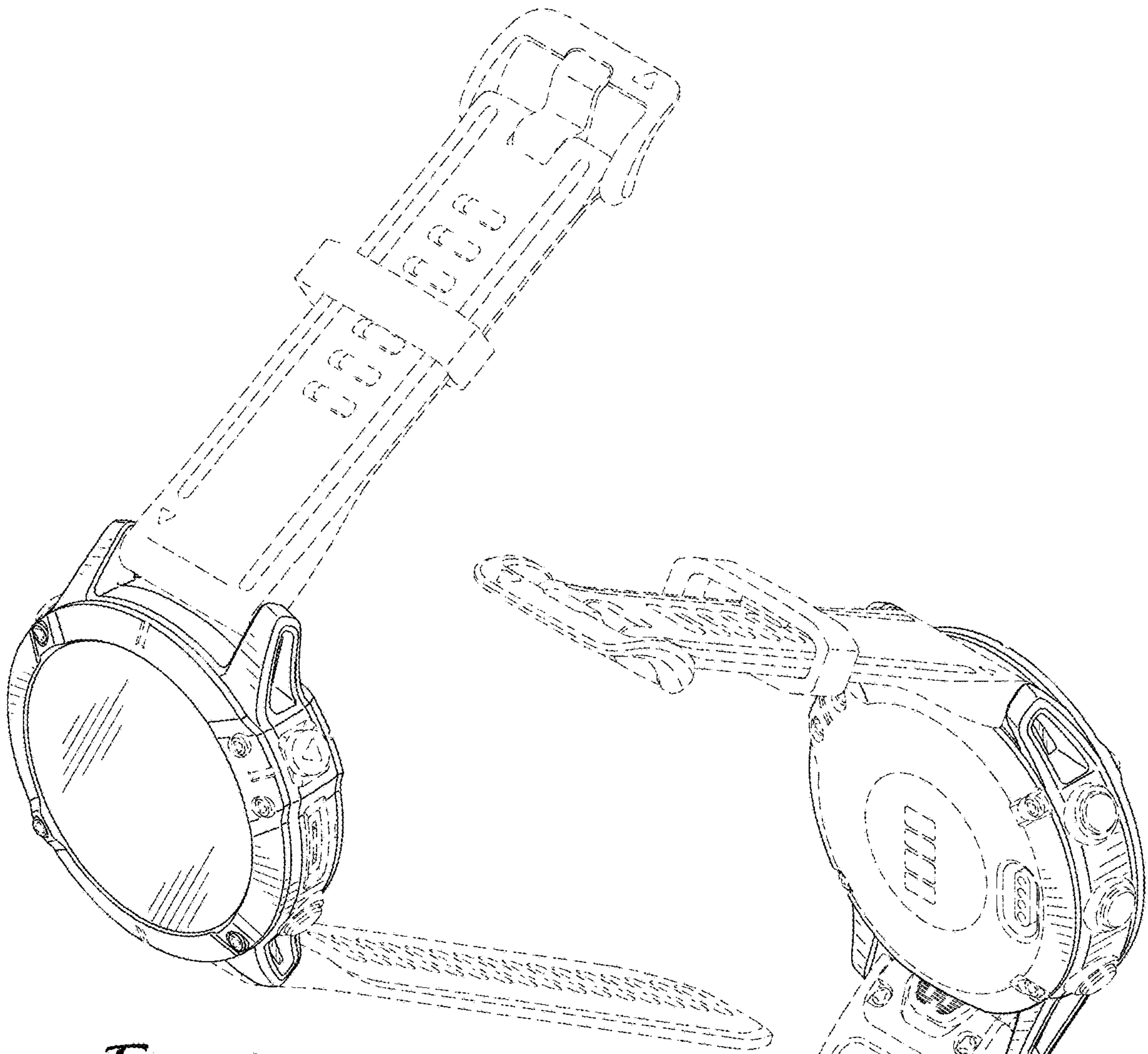
FIG. 7 is a right side view of the watch with display; and,

FIG. 8 is a left side view of the watch with display.

The broken lines shown in the drawings represent portions of the watch with display that form no part of the claimed design.

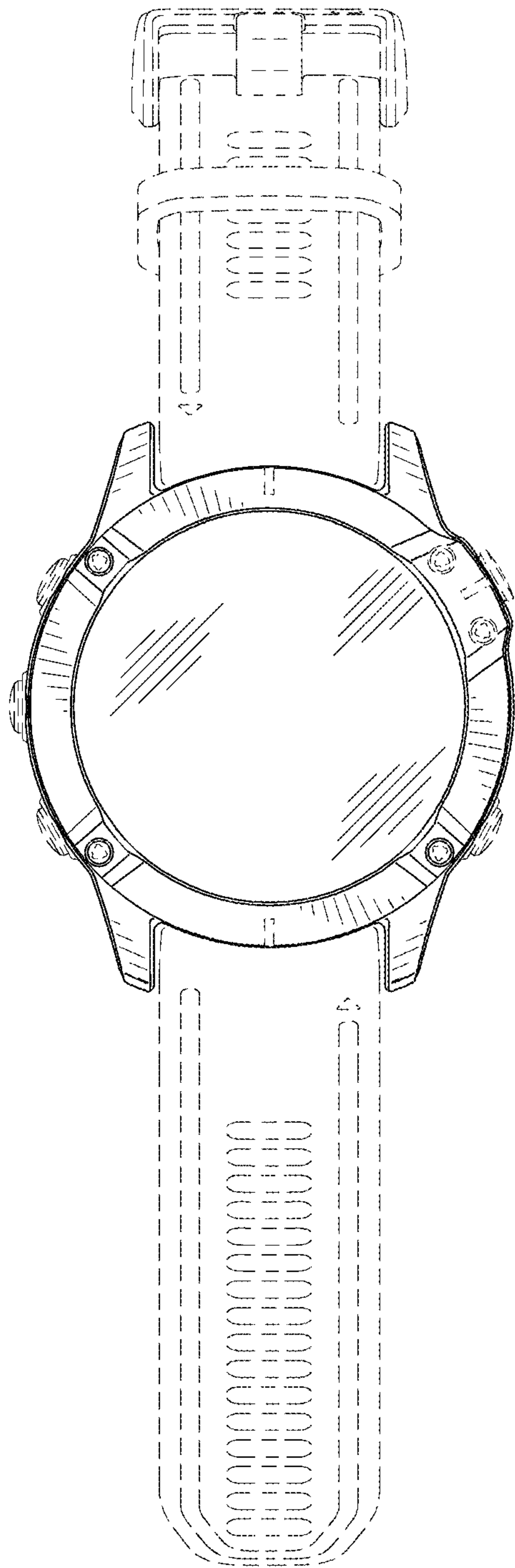
**1 Claim, 4 Drawing Sheets**



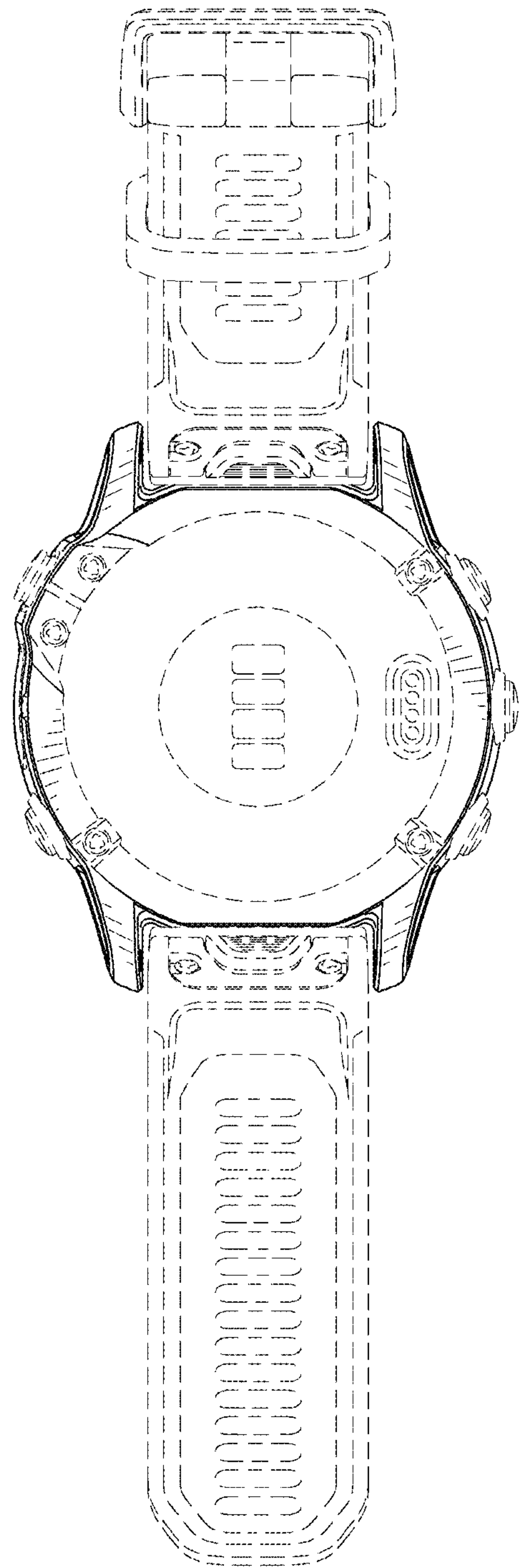


*Fig. 1*

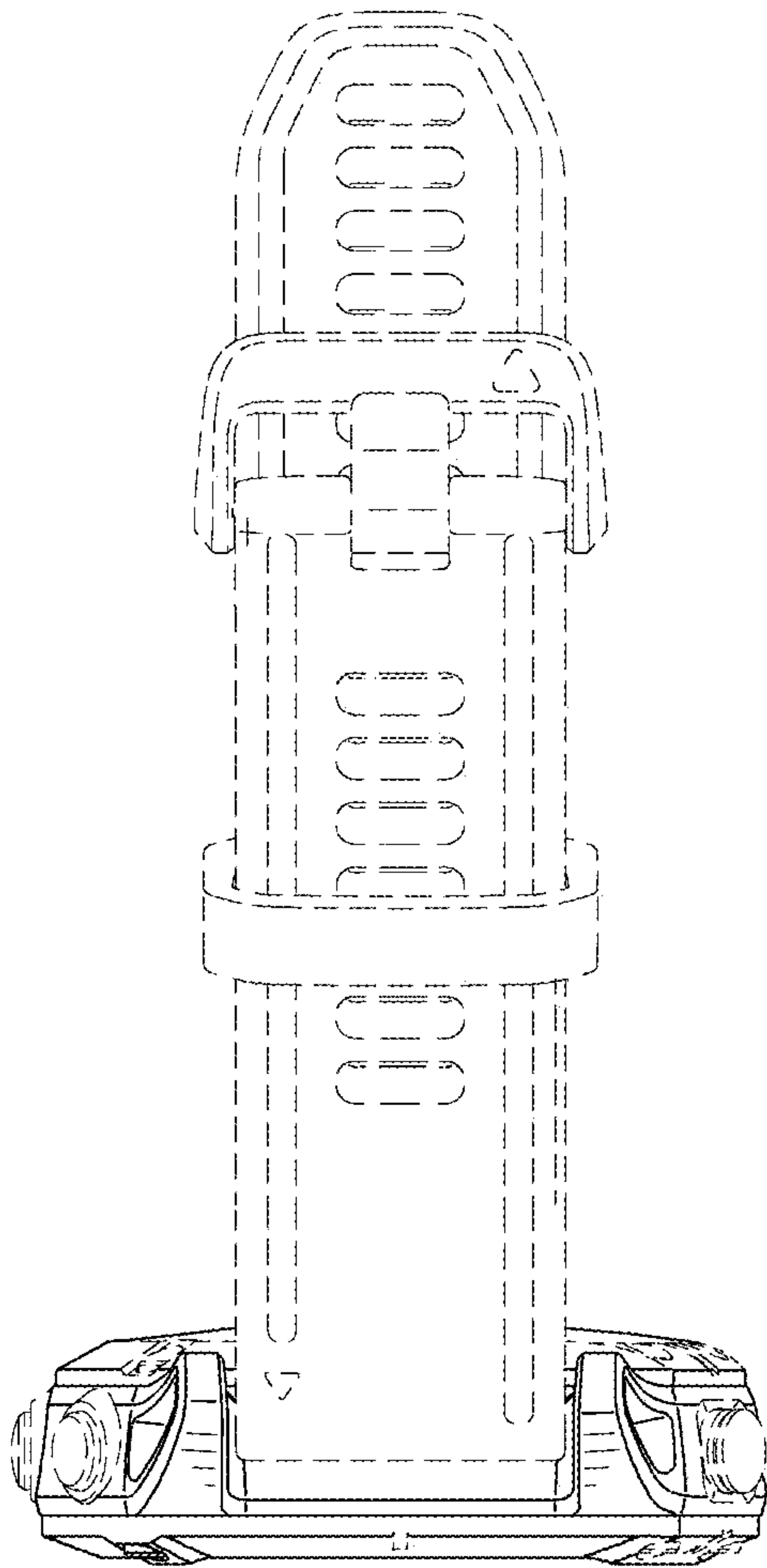
*Fig. 2*



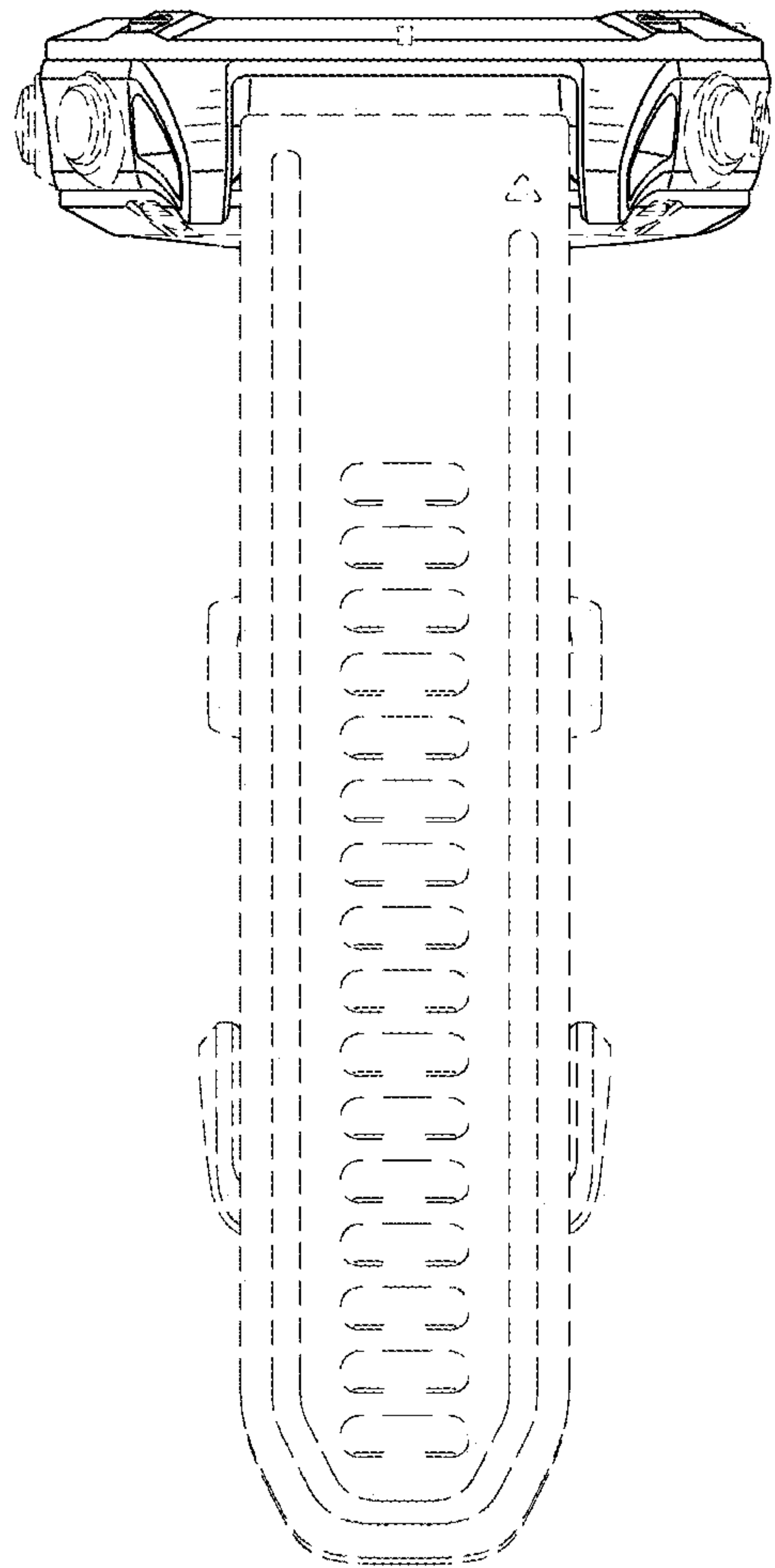
*Fig. 3*



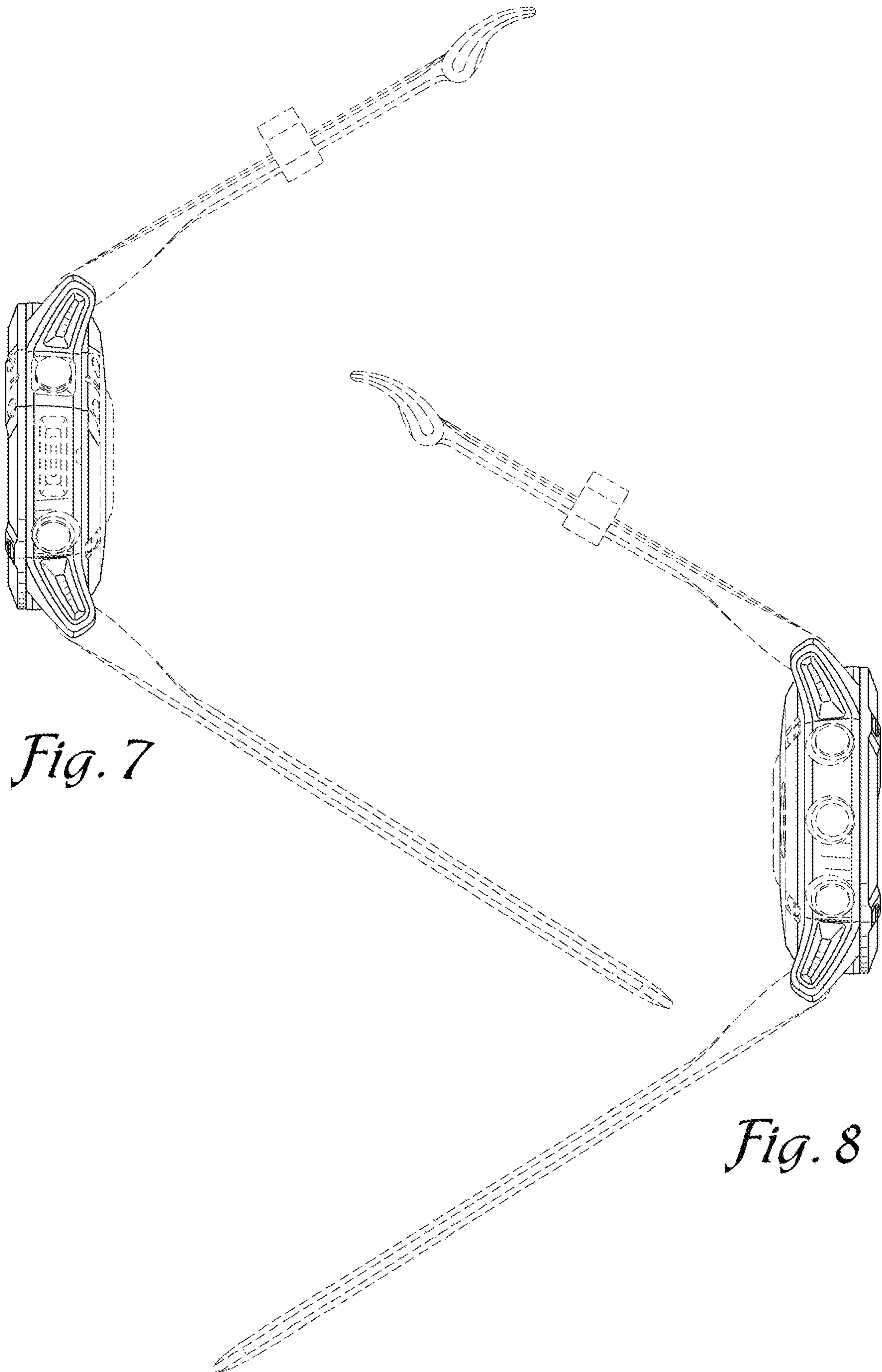
*Fig. 4*



*Fig. 5*



*Fig. 6*



*Fig. 7*

*Fig. 8*