



US00D921623S

(12) **United States Design Patent** (10) **Patent No.:** **US D921,623 S**
Kim (45) **Date of Patent:** **** Jun. 8, 2021**

(54) **PHONE CASE**

- (71) Applicant: **Spigen, Inc.**, Irvine, CA (US)
- (72) Inventor: **Woojin Kim**, Fullerton, CA (US)
- (73) Assignee: **SPIGEN, INC.**, Irvine, CA (US)
- (**) Term: **15 Years**

(21) Appl. No.: **29/640,475**

(22) Filed: **Mar. 14, 2018**

(51) **LOC (13) Cl.** **14-03**

(52) **U.S. Cl.**
USPC **D14/250**

(58) **Field of Classification Search**
USPC D3/201, 212, 218, 226, 227, 247, 249,
D3/250, 269, 303; D13/103, 107, 108,
D13/119; D14/137, 138 R, 138 AA,
D14/138 C, 138 G, 172, 192,
D14/203.3–203.7, 217, 238.1, 247, 248,
D14/250–253, 434, 440, 447, 496
CPC H04B 1/3888; H04M 1/0283;
H04M 1/0202; A45C 1/06; A45C
2011/002; A45C 11/00; A45F 2005/028;
A45F 2200/0525

See application file for complete search history.

(56) **References Cited**

U.S. PATENT DOCUMENTS

D637,591 S *	5/2011	Willes	D14/250
D650,810 S *	12/2011	Lemelman	D14/203.3
D709,063 S *	7/2014	Chang	D14/250
D713,833 S *	9/2014	Wilkey	D14/250
D721,069 S *	1/2015	Havens	D14/250
D721,694 S *	1/2015	Lee	D14/250
D726,702 S *	4/2015	Umlauf	D14/250
D763,842 S *	8/2016	Chang	D14/250
D765,638 S *	9/2016	Gaylord	D14/250
D772,211 S *	11/2016	Poon	D14/250
D777,156 S *	1/2017	Kim	D14/250
D781,834 S *	3/2017	Kim	D14/250
D781,839 S *	3/2017	Kim	D14/250

(Continued)

OTHER PUBLICATIONS

Caseology Skyfall Case: Caseology Cases Offer the Ultimate in Samsung Galaxy S9 Protection, publication date Feb. 28, 2018, [online] [Site visited Oct. 6, 2020] URL: <https://www.androidheadlines.com/2018/02/caseology-cases-offer-the-ultimate-in-samsung-galaxy-s9-protection.html> (Year: 2018).*

(Continued)

Primary Examiner — L. A. Grabenstetter

(74) *Attorney, Agent, or Firm* — Heedong Chae; Lucem, PC

(57) **CLAIM**

The ornamental design of the phone case, as shown and described.

DESCRIPTION

FIG. 1 is a top perspective view showing the top, front, and right sides as well as the inner left interior surfaces of a phone case;

FIG. 2 is a bottom perspective view showing the bottom, front, and left sides as well as the inner right interior surface of the phone case;

FIG. 3 is a further bottom perspective view showing the bottom, front, and right sides as well as the inner left interior surface of the phone case;

FIG. 4 is a further bottom perspective view showing the bottom, left, and back sides of the phone case;

FIG. 5 is a front elevation view of the phone case;

FIG. 6 is a rear elevation view of the phone case;

FIG. 7 is a left side elevation view of the phone case;

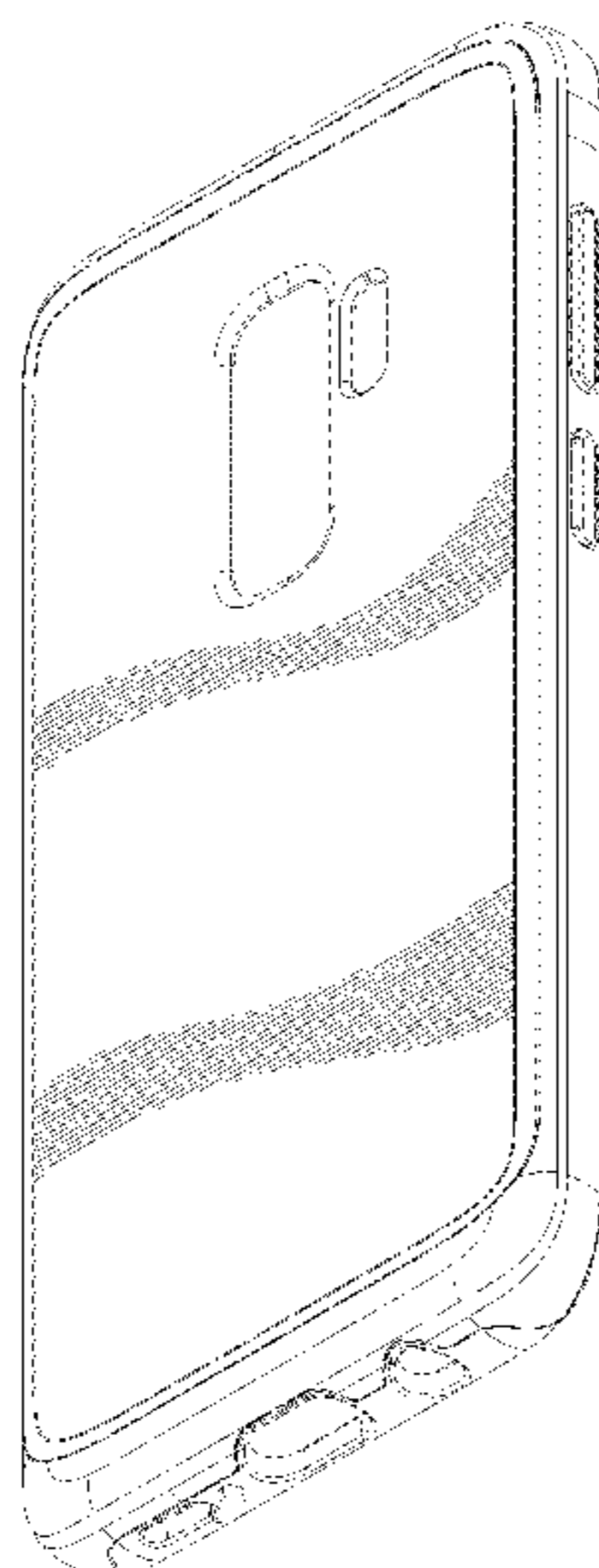
FIG. 8 is a right side elevation view of the phone case;

FIG. 9 is a top plan view of the phone case; and,

FIG. 10 is a bottom plan view of the phone case.

The broken lines in the drawings represent portions of the phone case that form no part of the claimed design.

1 Claim, 8 Drawing Sheets



(56)

References Cited

U.S. PATENT DOCUMENTS

D793,379 S	*	8/2017	Zhang	D14/250
D800,713 S	*	10/2017	Kim	D14/250
D806,061 S	*	12/2017	Kim	D14/250
D823,293 S	*	7/2018	Kim	D14/250
D823,294 S	*	7/2018	Kim	D14/250
D823,296 S	*	7/2018	Kim	D14/250
D823,298 S	*	7/2018	Kim	D14/250

OTHER PUBLICATIONS

“Caseology Skyfall for Apple iPhone 6S Case (2015) / for iPhone 6 Case (2014)—Black”, <https://www.amazon.com/iPhone-Caseology-Skyfall-Scratch-Resistant-Absorbent/dp/B013W2WCCQ>, Earliest review date of Oct. 9, 2015, Downloaded on Jan. 16, 2020.

“Caseology Skyfall for Samsung Galaxy S7 Case (2016)—Rose Gold”, <https://www.amazon.com/Caseology-Skyfall-Galaxy-S7-Case/dp/B016240GJW>, Earliest review date of Mar. 10, 2016, Downloaded on Jan. 16, 2020.

“Caseology Skyfall for Apple iPhone SE Case (2016) / for iPhone 5S Case (2013) / for iPhone 5 Case (2012)—Gold”, <https://www.amazon.com/Caseology-Skyfall-iPhone-SE-Case/dp/B01F8E0PLG>, Earliest review date of May 28, 2016, Downloaded on Jan. 16, 2020.

amazon.com/Caseology-Skyfall-iPhone-SE-Case/dp/B01F8E0PLG, Earliest review date of May 28, 2016, Downloaded on Jan. 16, 2020.

“Caseology Skyfall for Apple iPhone 8 Plus Case (2017) / for iPhone 7 Plus Case (2016)—Clear Back & Slim Fit—Red”, <https://www.amazon.com/Caseology-Skyfall-iPhone-Plus-Case/dp/B06XTZDQCF>, Earliest review date of Sep. 5, 2016, Downloaded on Jan. 16, 2020.

“Caseology Skyfall for Apple iPhone 8 Case (2017) / for iPhone 7 Case (2016)—Clear Back & Slim Fit—Matte Black”, <https://www.amazon.com/Caseology-Skyfall-iPhone-Cover-Protective/dp/B01M99006N>, Earliest review date of Sep. 8, 2016, Downloaded on Jan. 16, 2020.

“Caseology Coastline for Samsung Galaxy S8 Plus Case (2017)—Frost Gray”, <https://www.amazon.com/Caseology-Coastline-Galaxy-Plus-Case/dp/B06XJ82J1W>, Date first available on Amazon at Mar. 10, 2017, Downloaded on Sep. 28, 2020.

“Caseology Coastline for Samsung Galaxy S8 Case (2017)—Frost Gray”, <https://www.amazon.com/Caseology-Coastline-Galaxy-Case-Transparent/dp/B06XJ7L457>, Date first available on Amazon at Mar. 10, 2017, Downloaded on Sep. 28, 2020.

* cited by examiner

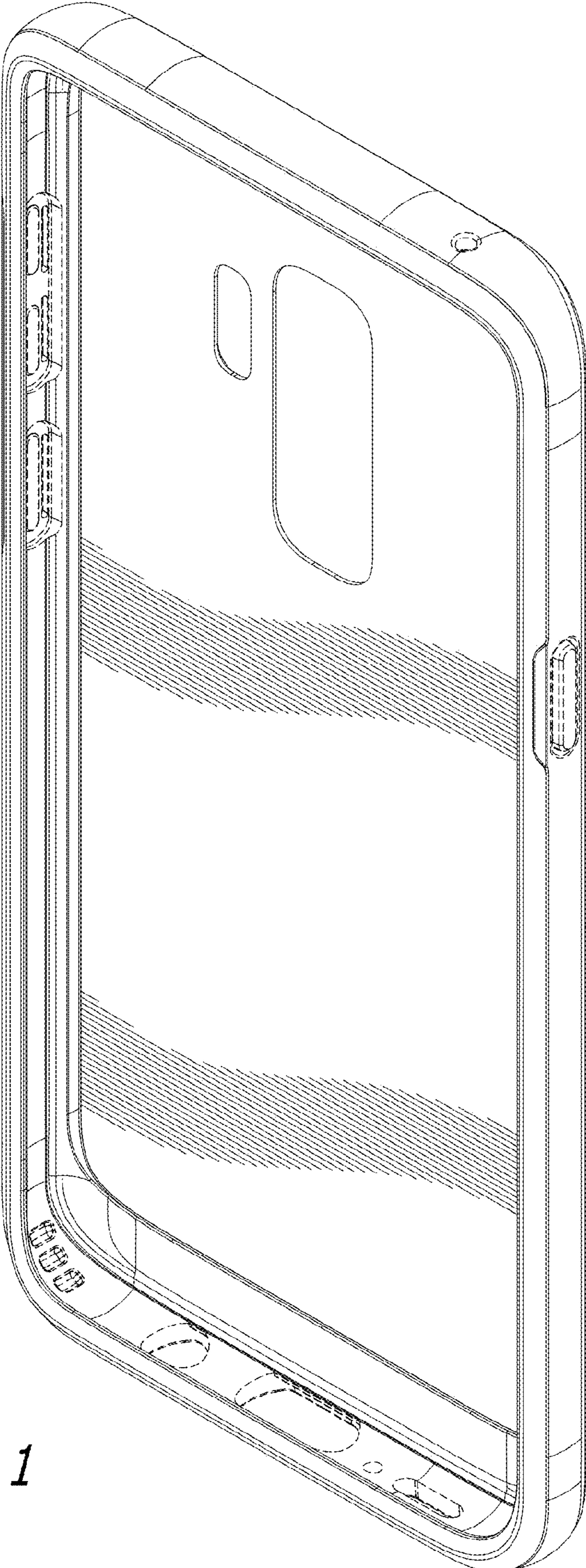


FIG. 1

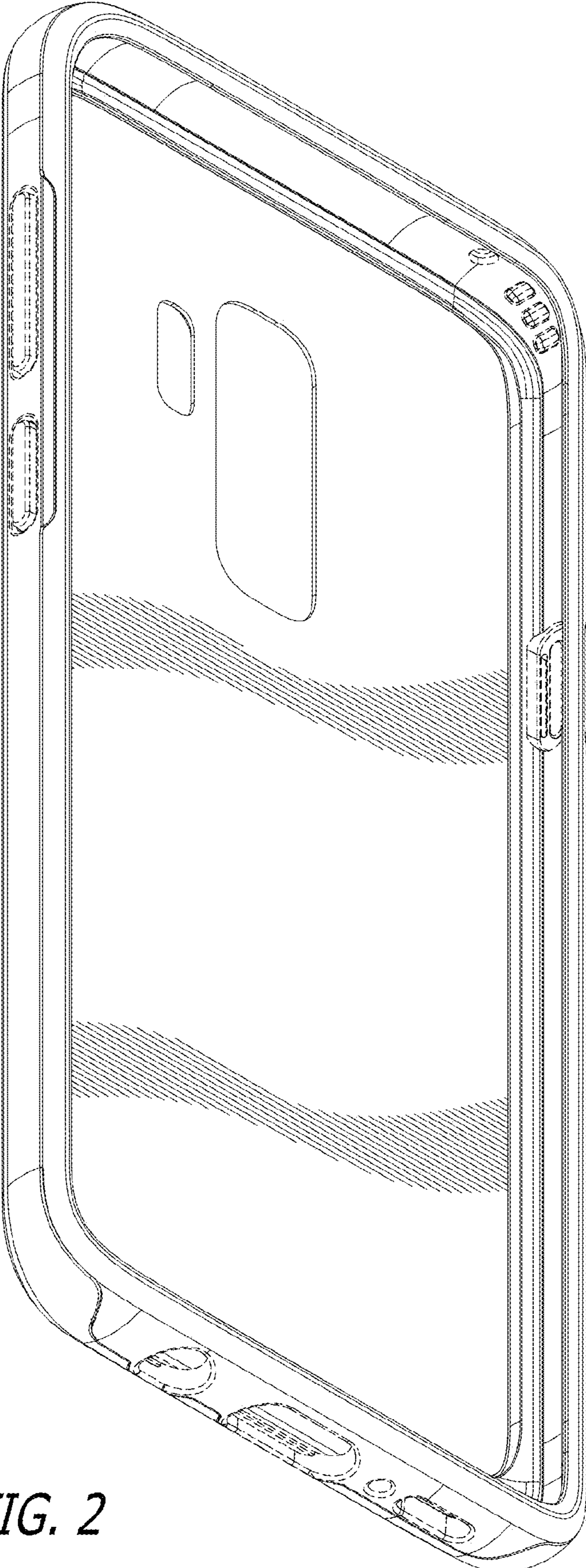


FIG. 2

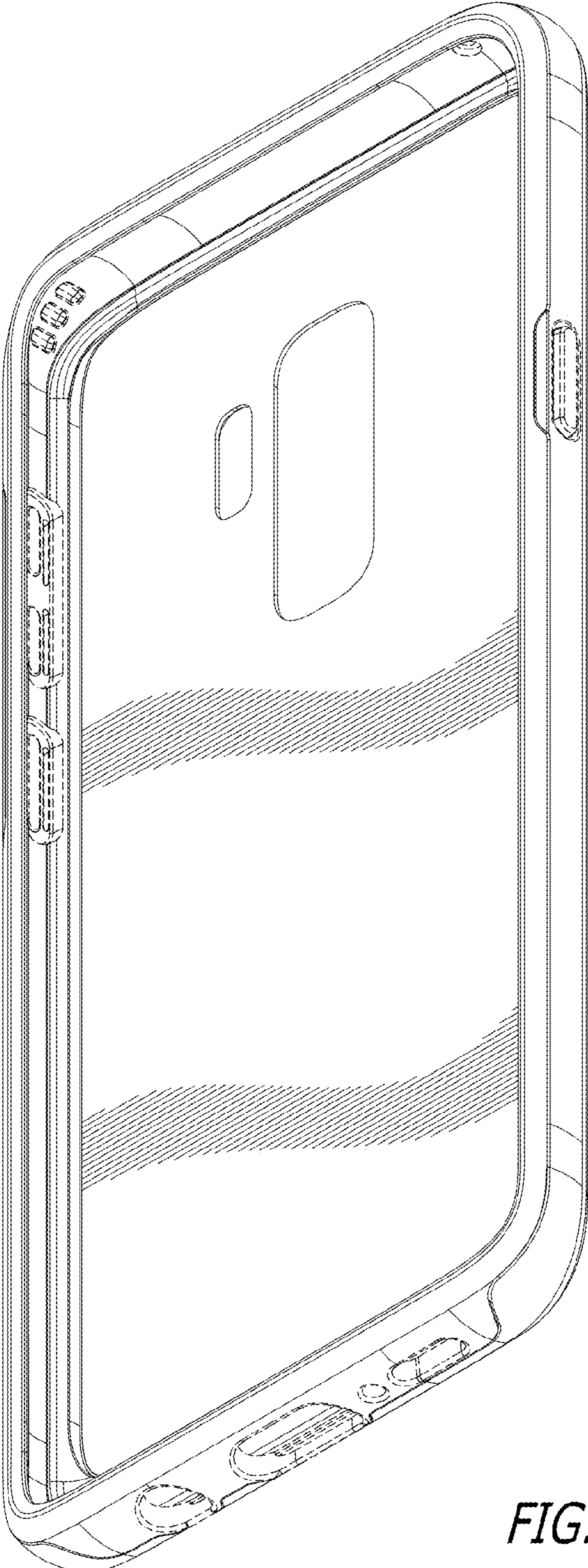


FIG. 3

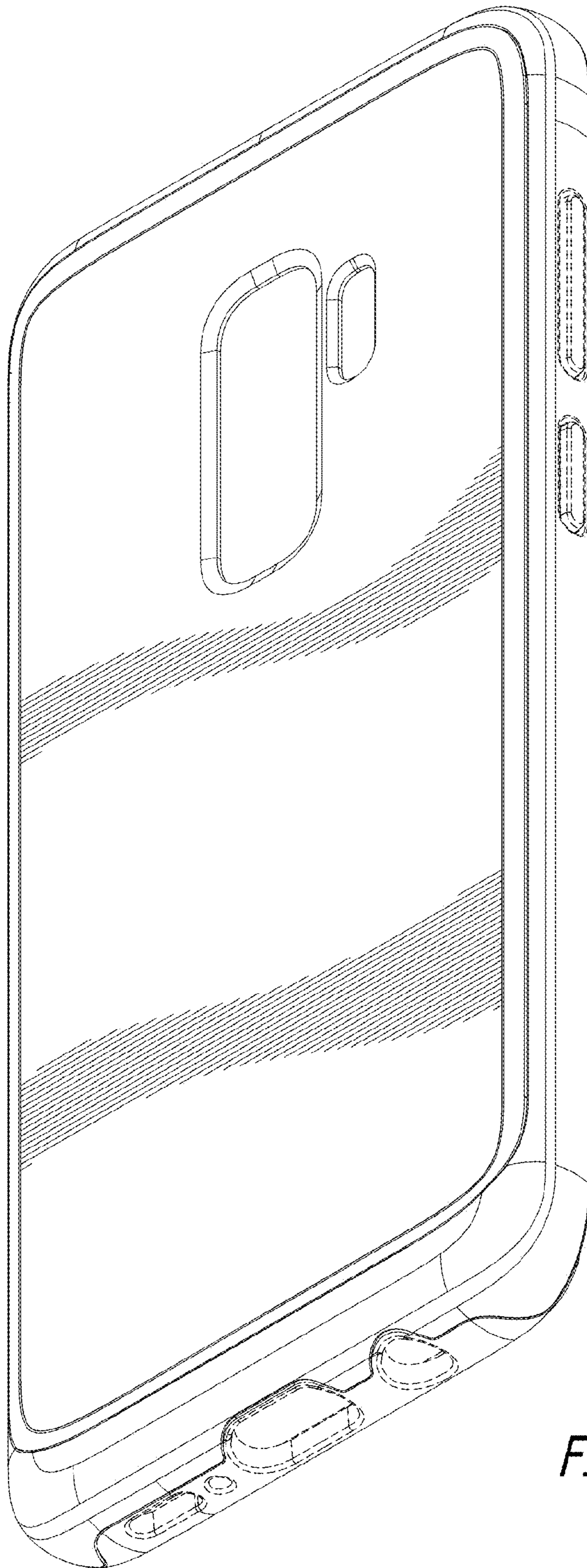


FIG. 4

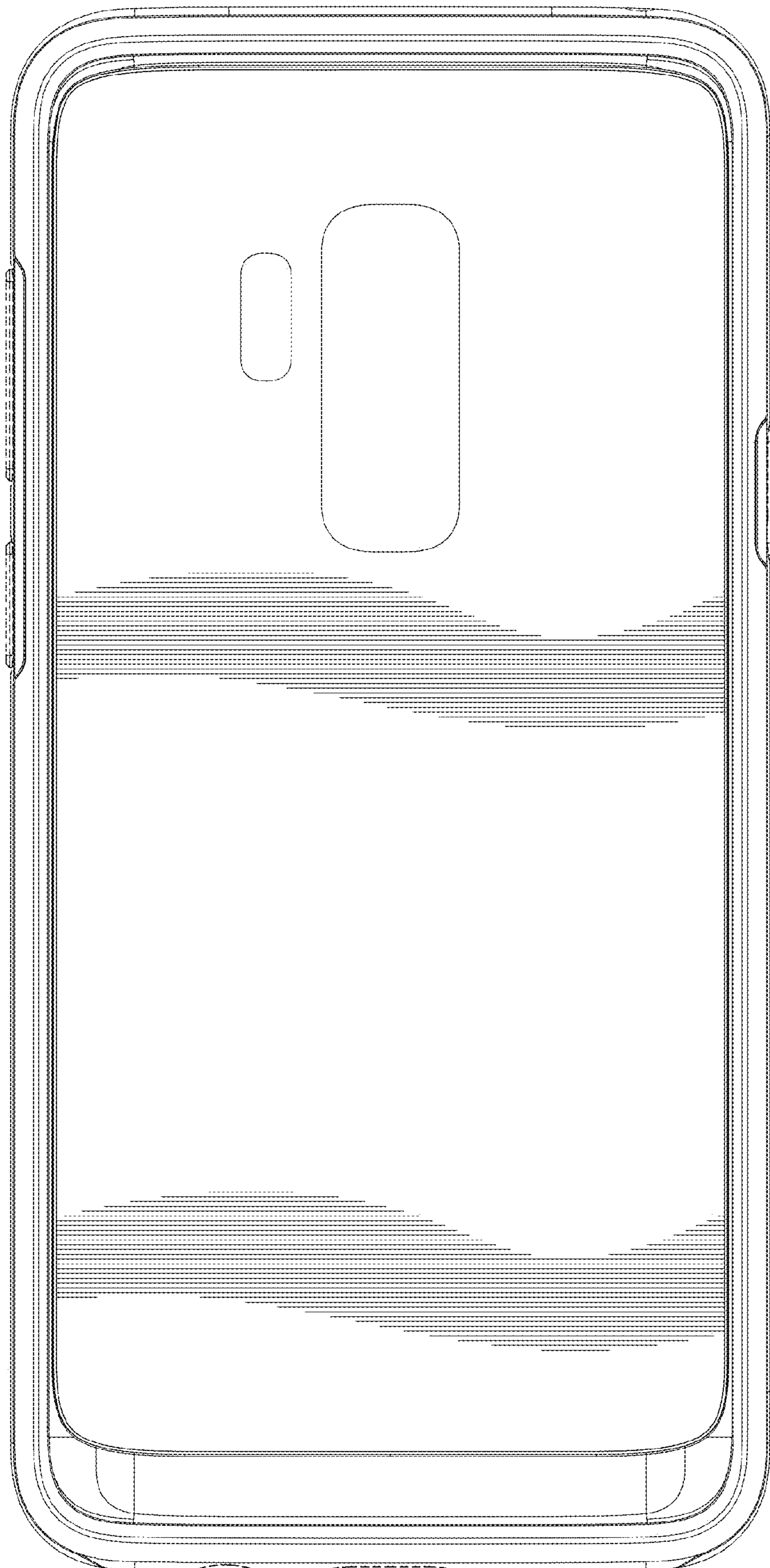


FIG. 5

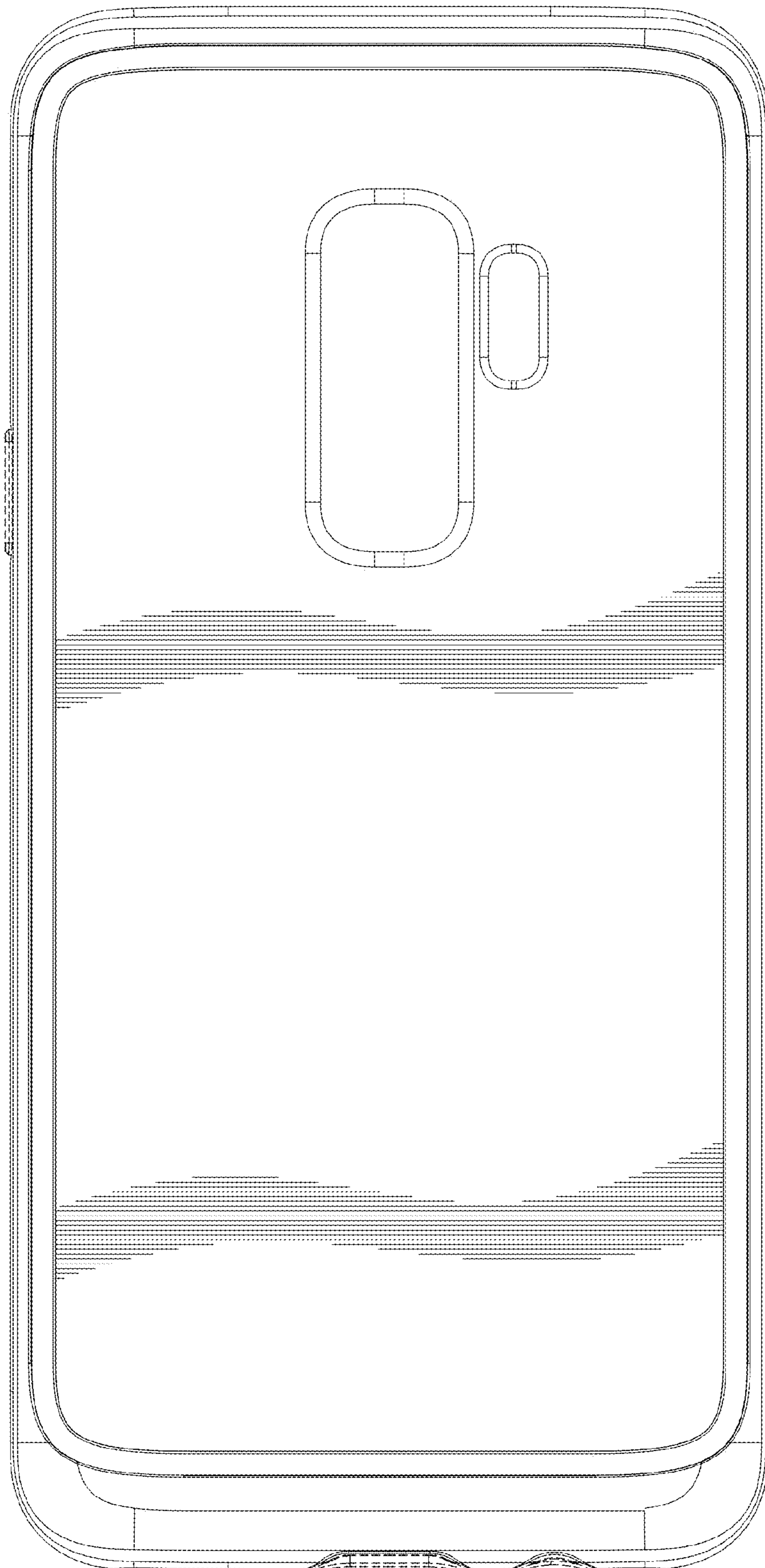


FIG. 6

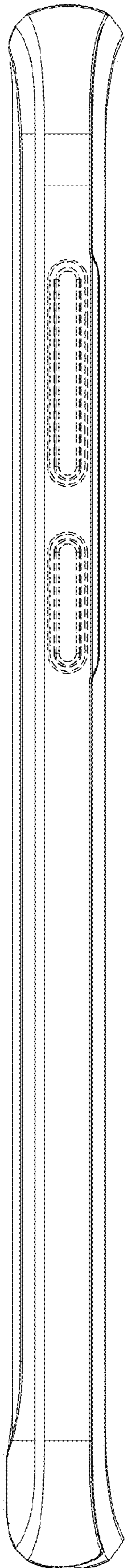


FIG. 7

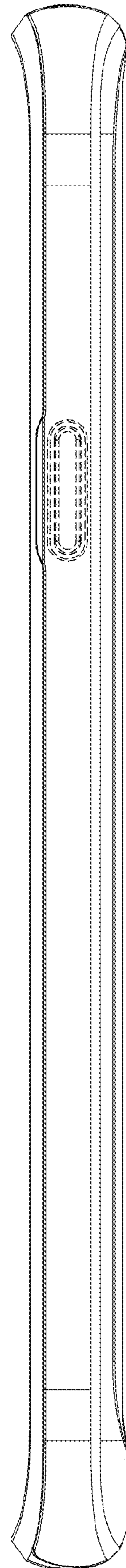


FIG. 8

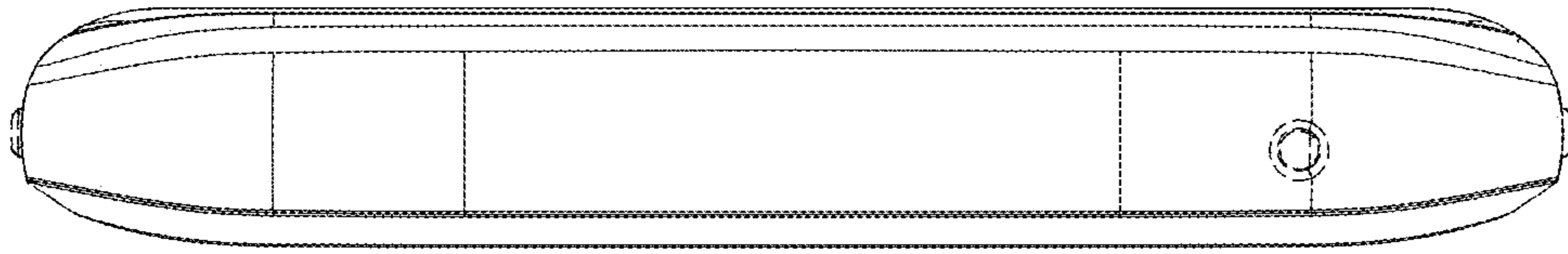


FIG. 9

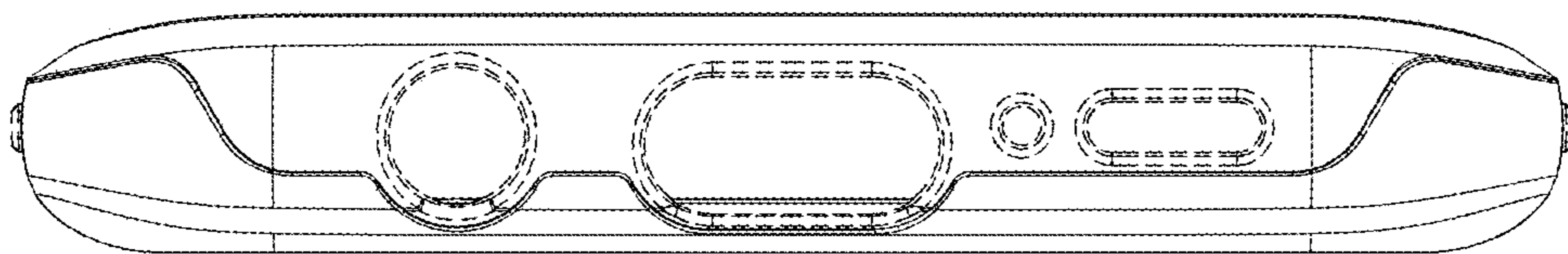


FIG. 10