

US00D921621S

(12) **United States Design Patent**  
**Zou**

(10) **Patent No.:** **US D921,621 S**  
(45) **Date of Patent:** **\*\* Jun. 8, 2021**

(54) **DISPLAY MOUNT**

FOREIGN PATENT DOCUMENTS

(71) Applicant: **SHENZHEN BESTQI INNOVATION TECHNOLOGY CO., LTD**, Shenzhen (CN)

CN 305781447 \* 5/2020  
CN 306422898 \* 3/2021

(Continued)

(72) Inventor: **Jiying Zou**, Shenzhen (CN)

OTHER PUBLICATIONS

(73) Assignee: **SHENZHEN BESTQI INNOVATION TECHNOLOGY CO., LTD**, Shenzhen (CN)

Amazon. Link: [https://www.amazon.com/dp/B07N4GL2LW/ref=cm\\_sw\\_em\\_r\\_mt\\_dp\\_AWQ0WP9DDW514AD2GS91?\\_encoding=UTF8&psc=1](https://www.amazon.com/dp/B07N4GL2LW/ref=cm_sw_em_r_mt_dp_AWQ0WP9DDW514AD2GS91?_encoding=UTF8&psc=1). Aug. 29, 2019. Amazon Basics Swivel Pedestal TV Mount. (Year: 2019).\*

(Continued)

(\*\*) Term: **15 Years**

*Primary Examiner* — Lauren D McVey

(21) Appl. No.: **29/758,054**

(57) **CLAIM**

(22) Filed: **Nov. 12, 2020**

The ornamental design for a display mount, as shown and described.

(51) **LOC (13) Cl.** ..... **14-03**

(52) **U.S. Cl.**  
USPC ..... **D14/239**

(58) **Field of Classification Search**  
USPC ..... D14/239, 371, 372, 373, 374, 375, 376, D14/377, 448, 449, 450, 451, 447, 452, D14/125, 127, 128, 129, 335-337, 341, D14/126; D8/355, 363, 373; D6/672, D6/682  
CPC ..... F16M 11/2085; F16M 11/2092; F16M 11/2007; F16M 11/2014; F16M 11/2021; F16M 11/105; F16M 11/048; F16M 11/12; F16M 13/022; F16M 11/10  
See application file for complete search history.

**DESCRIPTION**

FIG. 1 is a perspective view of a first embodiment of a display mount showing my new design; FIG. 2 is another perspective view thereof; FIG. 3 is a front elevational view thereof; FIG. 4 is a rear elevational view thereof; FIG. 5 is a left side elevational view thereof; FIG. 6 is a right side elevational view thereof; FIG. 7 is a top plan view thereof; FIG. 8 is a bottom plan view thereof; FIG. 9 is a perspective view of a second embodiment of the display mount showing my new design; FIG. 10 is another perspective view thereof; FIG. 11 is a front elevational view thereof; FIG. 12 is a rear elevational view thereof; FIG. 13 is a left side elevational view thereof; FIG. 14 is a right side elevational view thereof; FIG. 15 is a top plan view thereof; and, FIG. 16 is a bottom plan view thereof.

The broken lines in the drawings depict portions of the display mount that form no part of the claimed design.

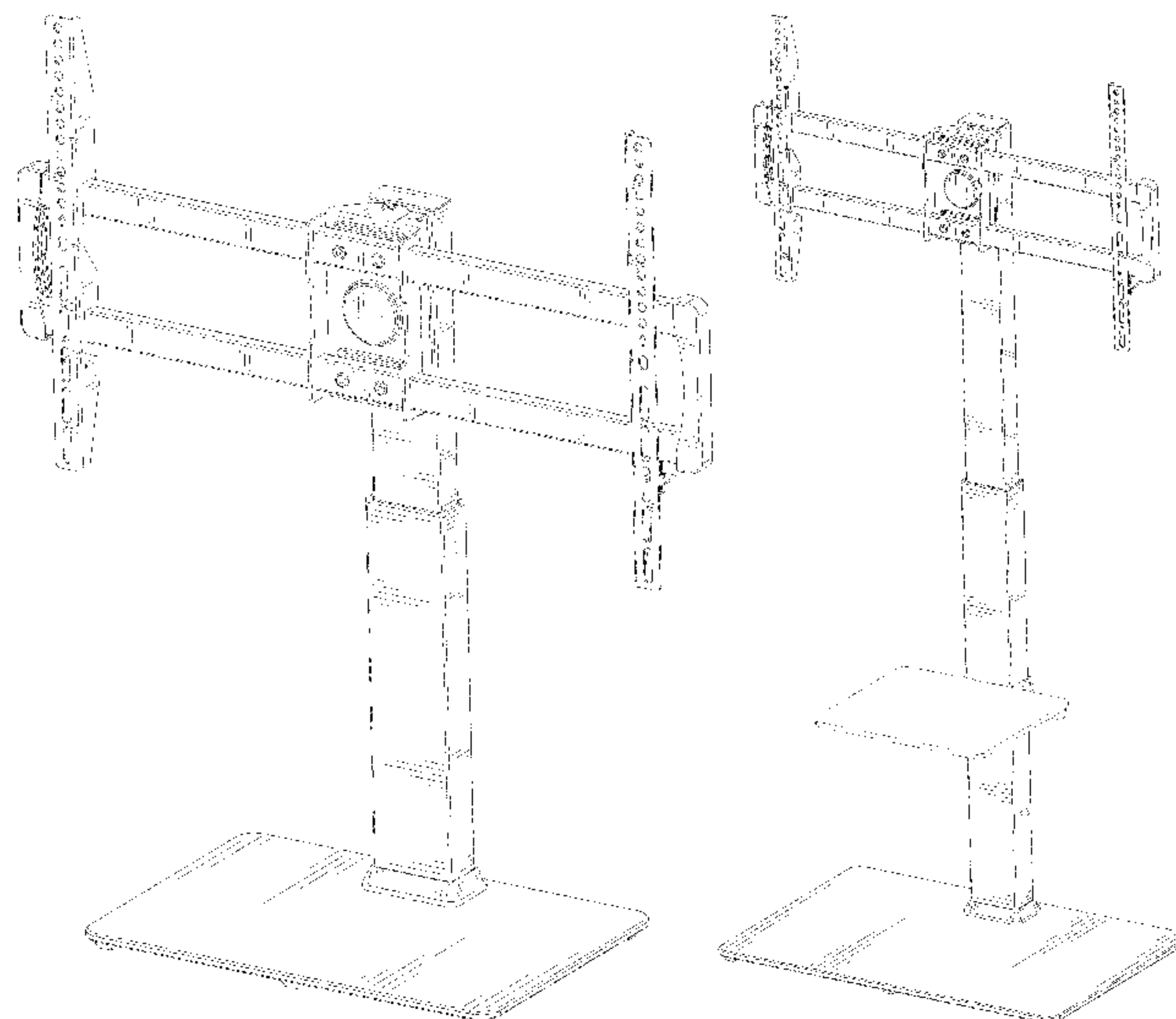
(56) **References Cited**

U.S. PATENT DOCUMENTS

7,195,214 B2 \* 3/2007 Lee ..... F16M 11/08 248/125.8  
D631,875 S \* 2/2011 Skull ..... D14/239  
D784,999 S \* 4/2017 Cutler ..... D14/447  
D807,880 S 1/2018 Varghese et al.

(Continued)

**1 Claim, 16 Drawing Sheets**



(56)

References Cited

U.S. PATENT DOCUMENTS

D836,091 S \* 12/2018 Shu ..... D14/239  
 D852,789 S \* 7/2019 Pei ..... D14/239  
 D853,403 S \* 7/2019 Lyu ..... D14/451  
 D872,067 S 1/2020 Knapp  
 D877,743 S \* 3/2020 Pei ..... D14/451  
 D911,320 S \* 2/2021 Lyu ..... D14/239  
 D912,024 S \* 3/2021 Pei ..... D14/239  
 D912,026 S \* 3/2021 Lyu ..... D14/239  
 2007/0252919 A1 \* 11/2007 McGreevy ..... F16M 11/10  
 348/825  
 2012/0032038 A1 \* 2/2012 Ye ..... F16M 11/2014  
 248/122.1  
 2020/0240575 A1 \* 7/2020 Lee ..... G06F 1/1607

FOREIGN PATENT DOCUMENTS

CN 306442422 \* 4/2021  
 EP 3643957 A1 \* 4/2020 ..... F16M 11/18  
 KR 300418923.0000 \* 7/2006  
 WO WO-2004088196 A1 \* 10/2004 ..... F16M 11/28

OTHER PUBLICATIONS

Amazon. Link: [https://www.amazon.com/dp/B08KG3LL5F/ref=cm\\_sw\\_em\\_r\\_mt\\_dp\\_T99X6CZ1D221APT53410](https://www.amazon.com/dp/B08KG3LL5F/ref=cm_sw_em_r_mt_dp_T99X6CZ1D221APT53410). Sep. 30, 2020. TAVR Universal Swivel TV Stand Tabletop TV Stand Base. (Year: 2020).\*

Amazon. Link: [https://www.amazon.com/dp/B01M74EDAQ/ref=cm\\_sw\\_em\\_r\\_mt\\_dp\\_YB75XFNKSVVMHC0BZTRC?\\_encoding=UTF8&psc=1](https://www.amazon.com/dp/B01M74EDAQ/ref=cm_sw_em_r_mt_dp_YB75XFNKSVVMHC0BZTRC?_encoding=UTF8&psc=1). Nov. 1, 2016. FITUEYES Universal TV Stand Tabletop TV Base Stand. (Year: 2016).\*

Amazon. Link: [https://www.amazon.com/dp/B07MT66CH1/ref=cm\\_sw\\_em\\_r\\_mt\\_dp\\_2YGBJGQM5RTJ935HHGMP](https://www.amazon.com/dp/B07MT66CH1/ref=cm_sw_em_r_mt_dp_2YGBJGQM5RTJ935HHGMP). Jan. 14, 2019. Universal Swivel TV Stand/Base Table Top TV Stand. (Year: 2019).\*

Amazon. Link: [https://www.amazon.com/dp/B08JSHV2S9/ref=cm\\_sw\\_em\\_r\\_mt\\_dp\\_80SWFH7R0N7X249NJCYZ?\\_encoding=UTF8&psc=1](https://www.amazon.com/dp/B08JSHV2S9/ref=cm_sw_em_r_mt_dp_80SWFH7R0N7X249NJCYZ?_encoding=UTF8&psc=1). Sep. 23, 2020. YOMT Floor TV Stand with Mount. (Year: 2020).\*

Amazon. Link: [https://www.amazon.com/dp/B08F2Q435C/ref=cm\\_sw\\_em\\_r\\_mt\\_dp\\_P54Q5W8GTZWPDTQ3QTWD?\\_encoding=UTF8&psc=1](https://www.amazon.com/dp/B08F2Q435C/ref=cm_sw_em_r_mt_dp_P54Q5W8GTZWPDTQ3QTWD?_encoding=UTF8&psc=1). Jul. 1, 2020. AM alphamount Universal TV Stand Table Top TV Base. (Year: 2020).\*

\* cited by examiner

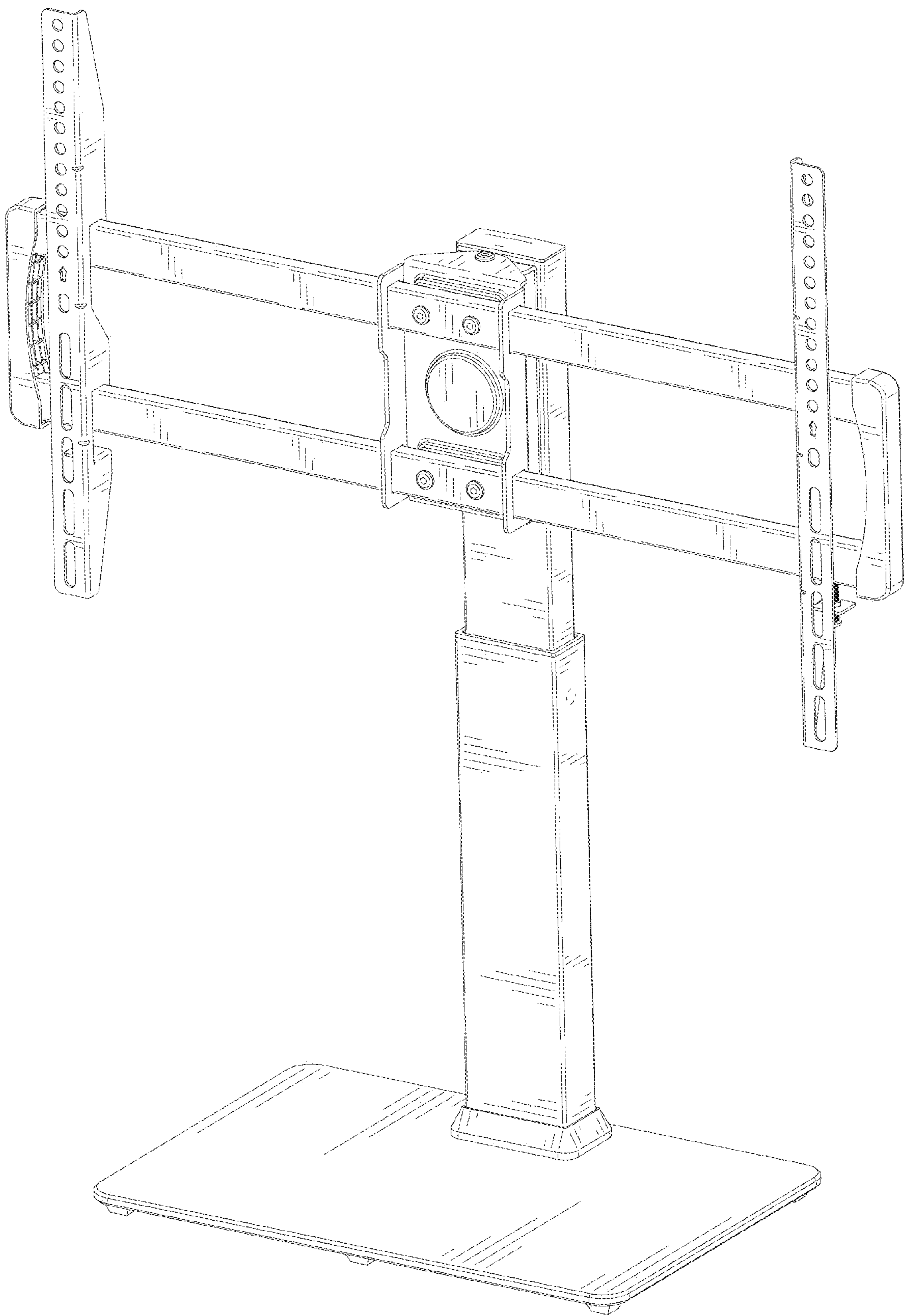


FIG. 1



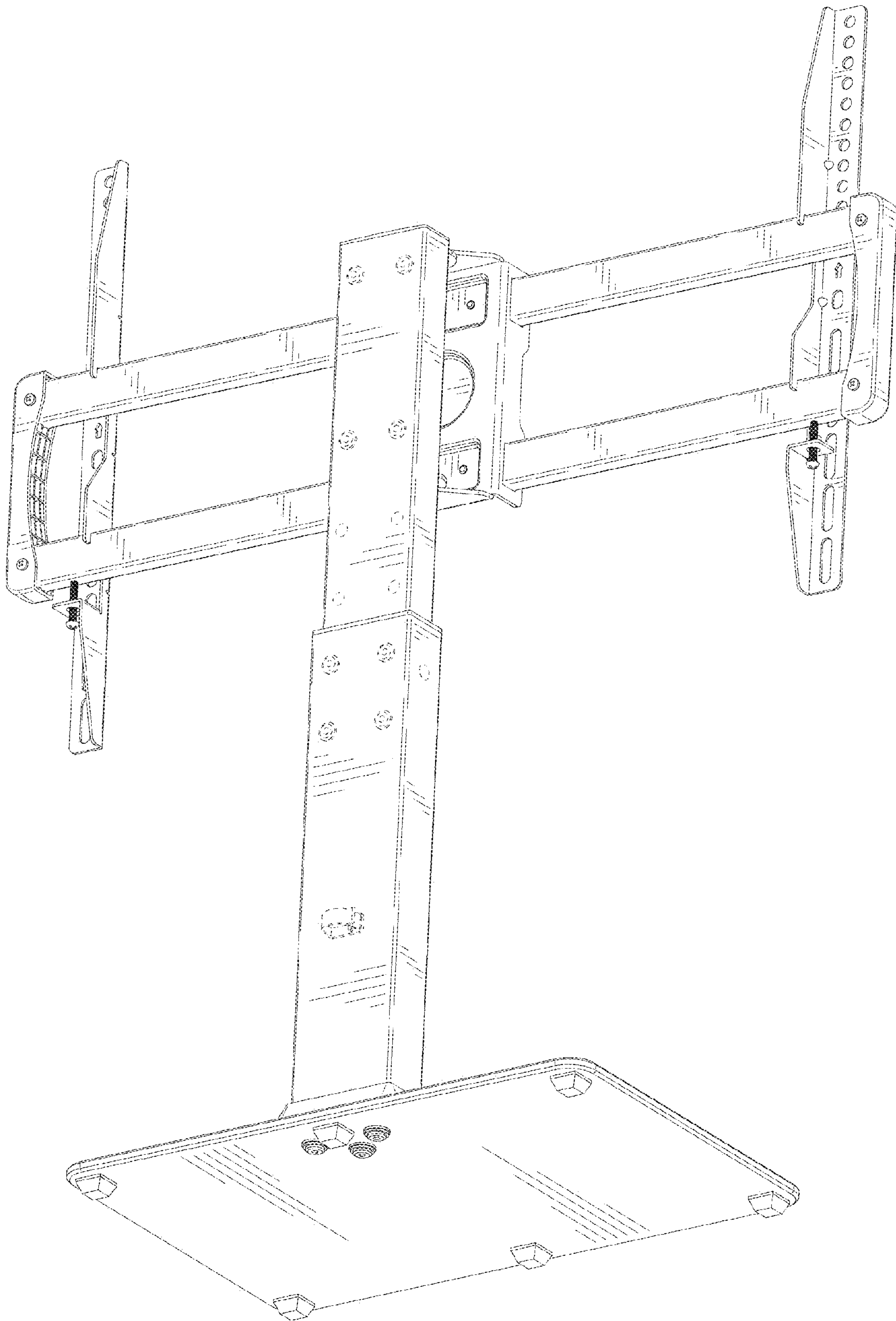


FIG. 2

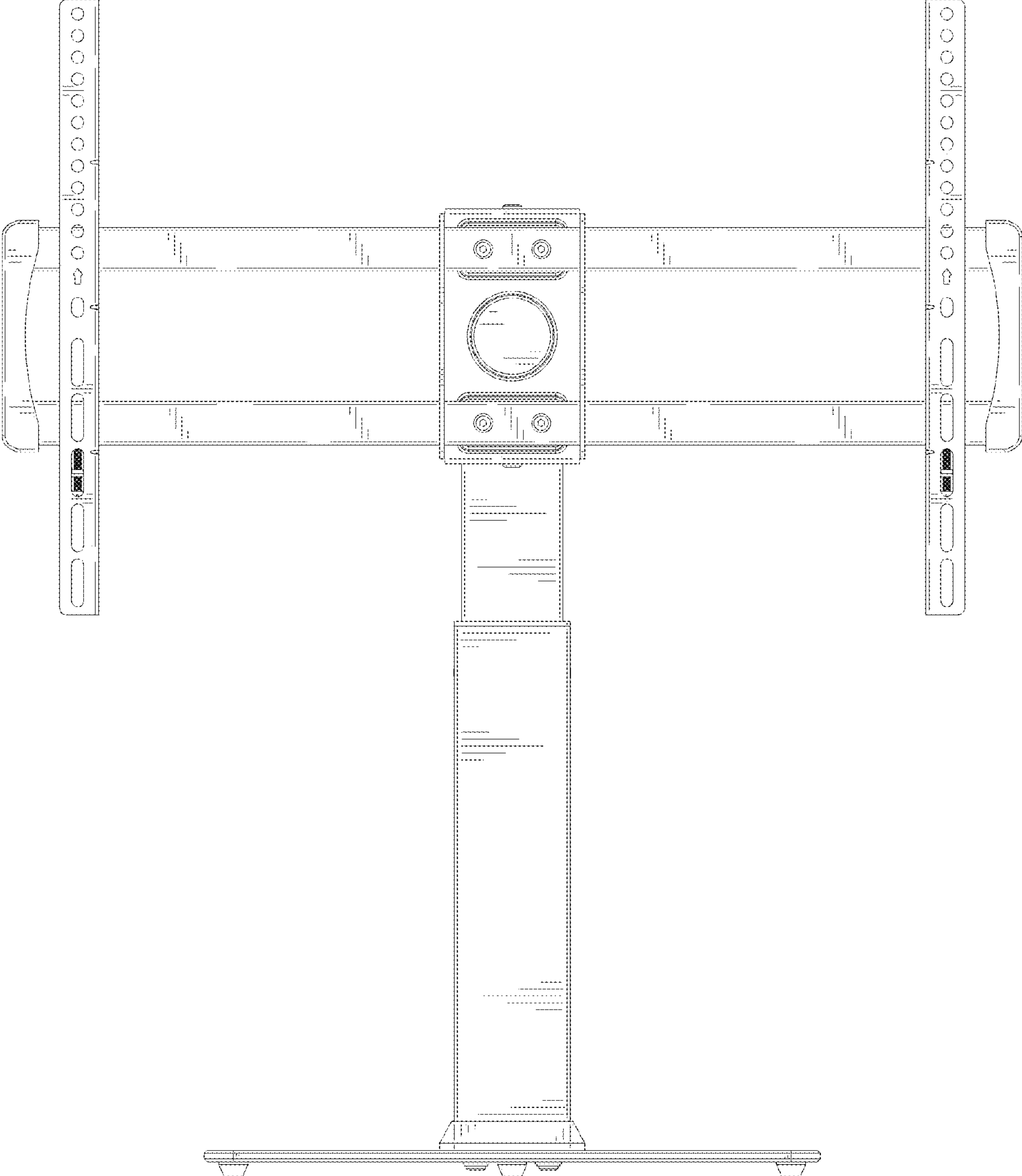


FIG. 3

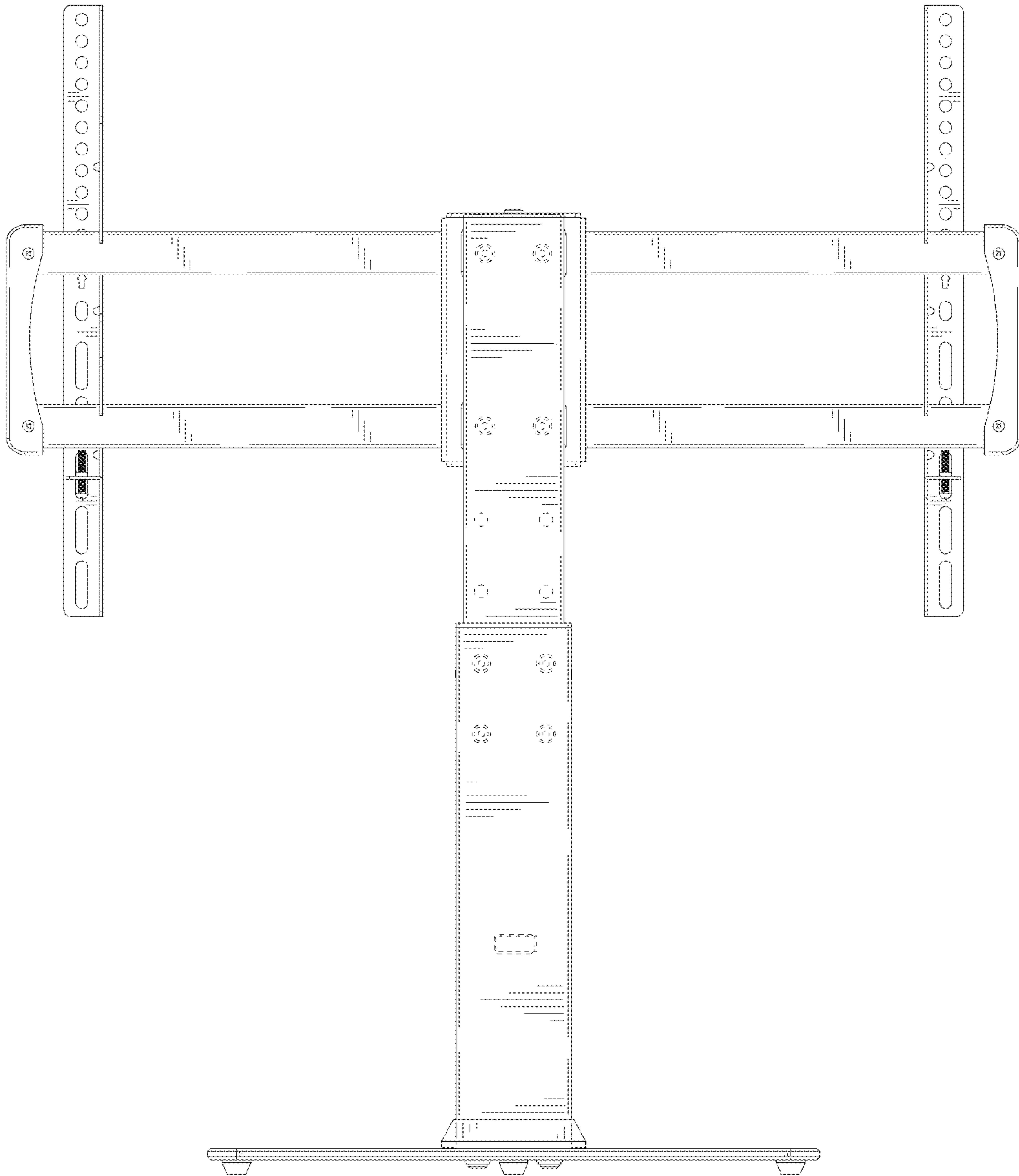


FIG. 4

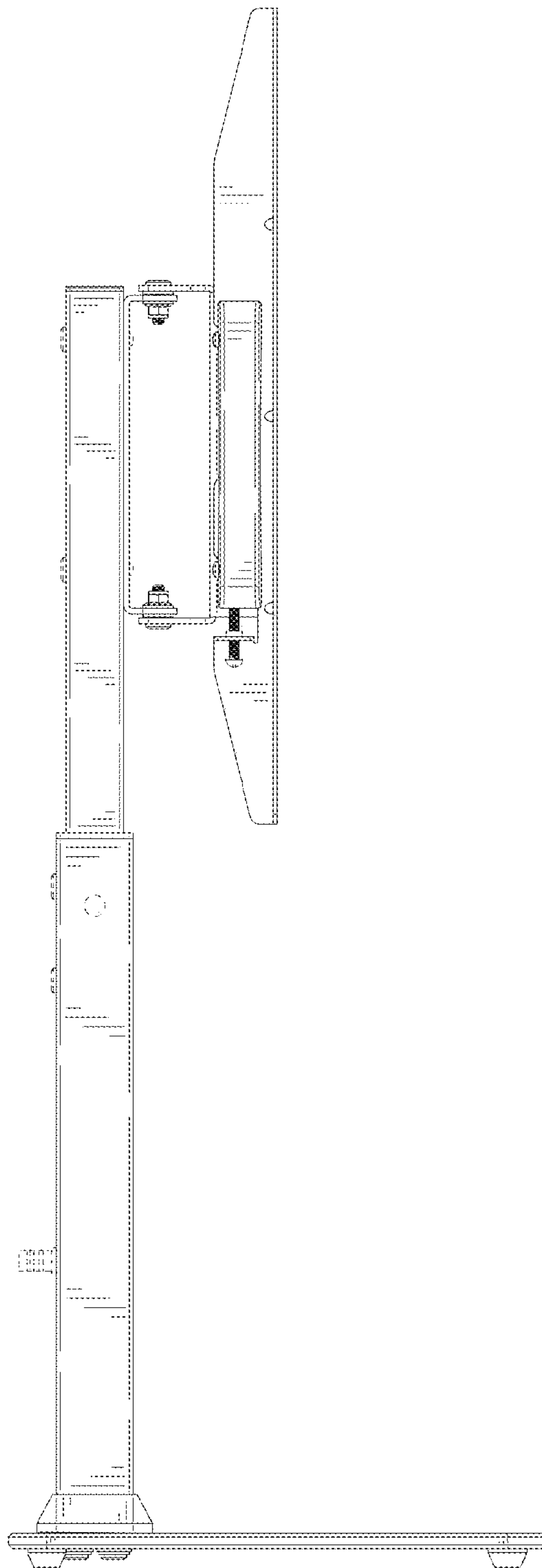


FIG. 5

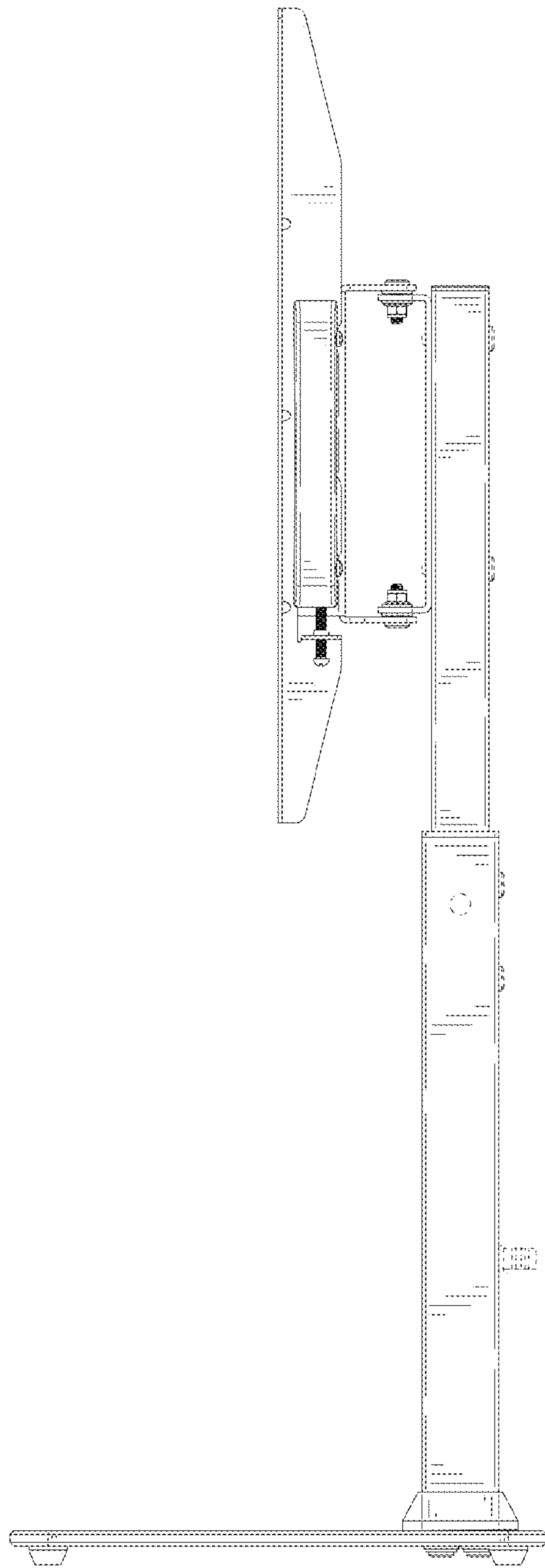


FIG. 6



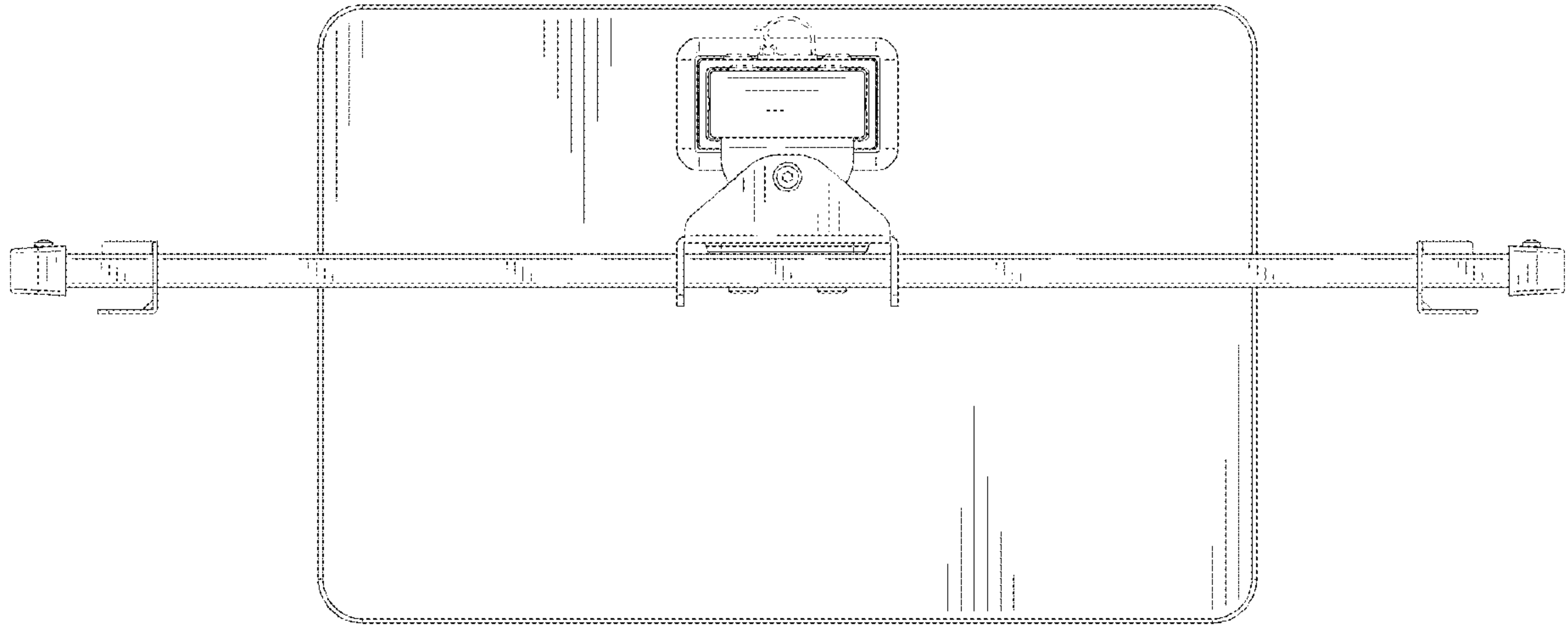


FIG. 7

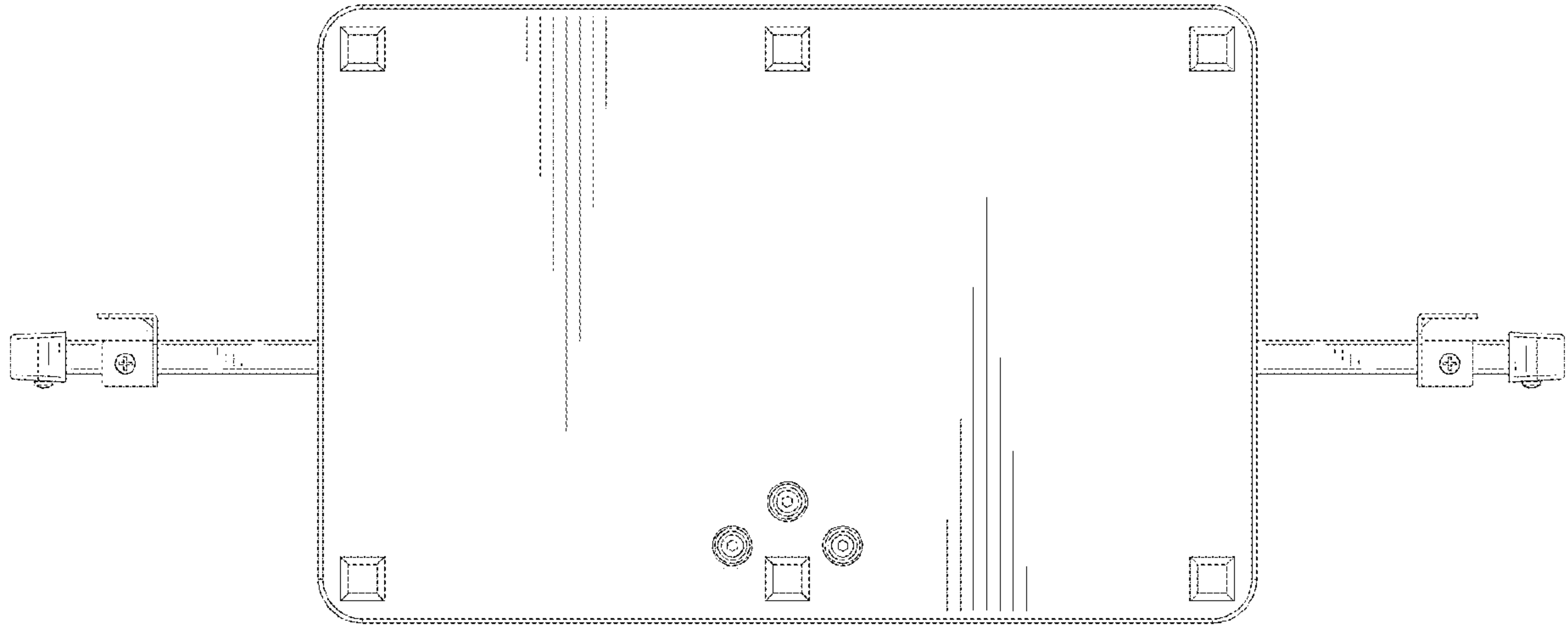


FIG. 8

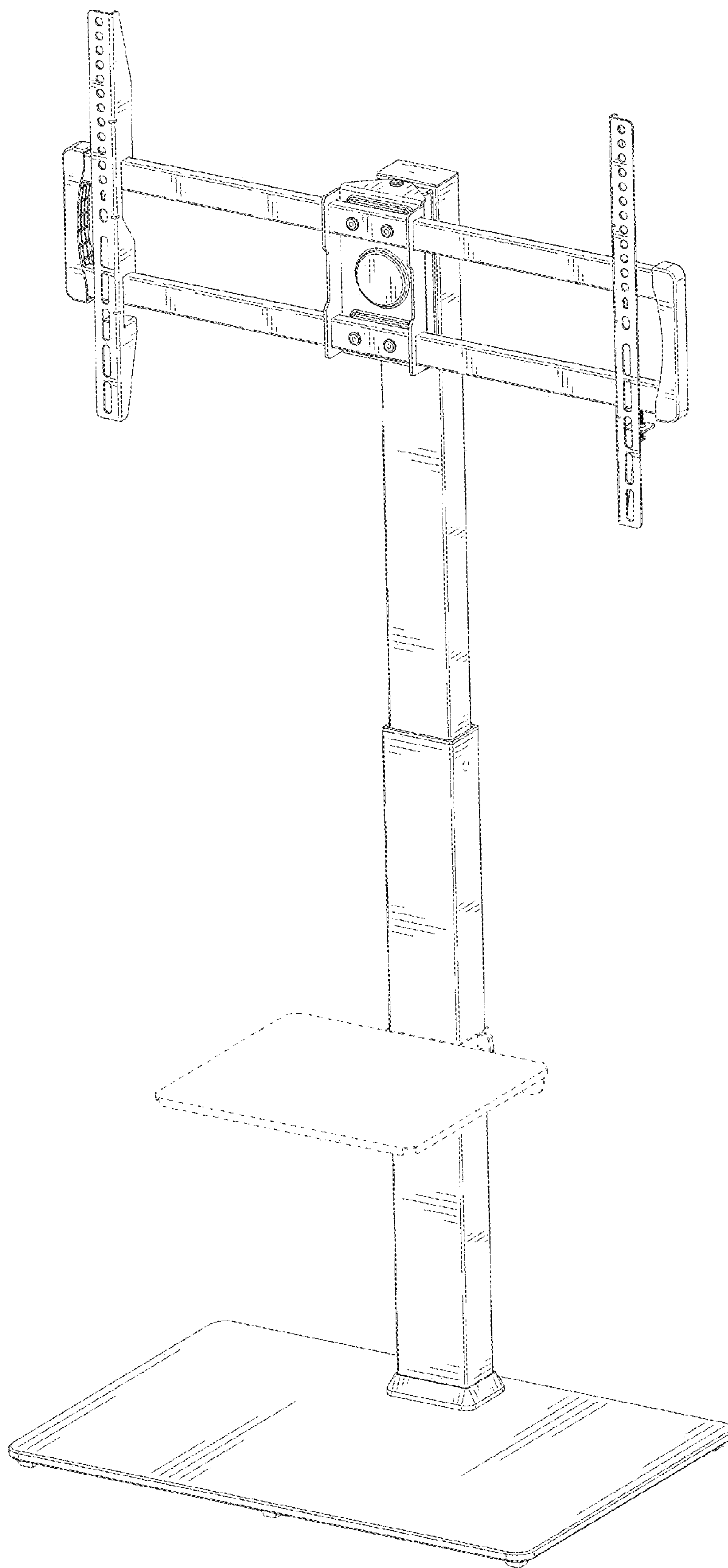


FIG. 9

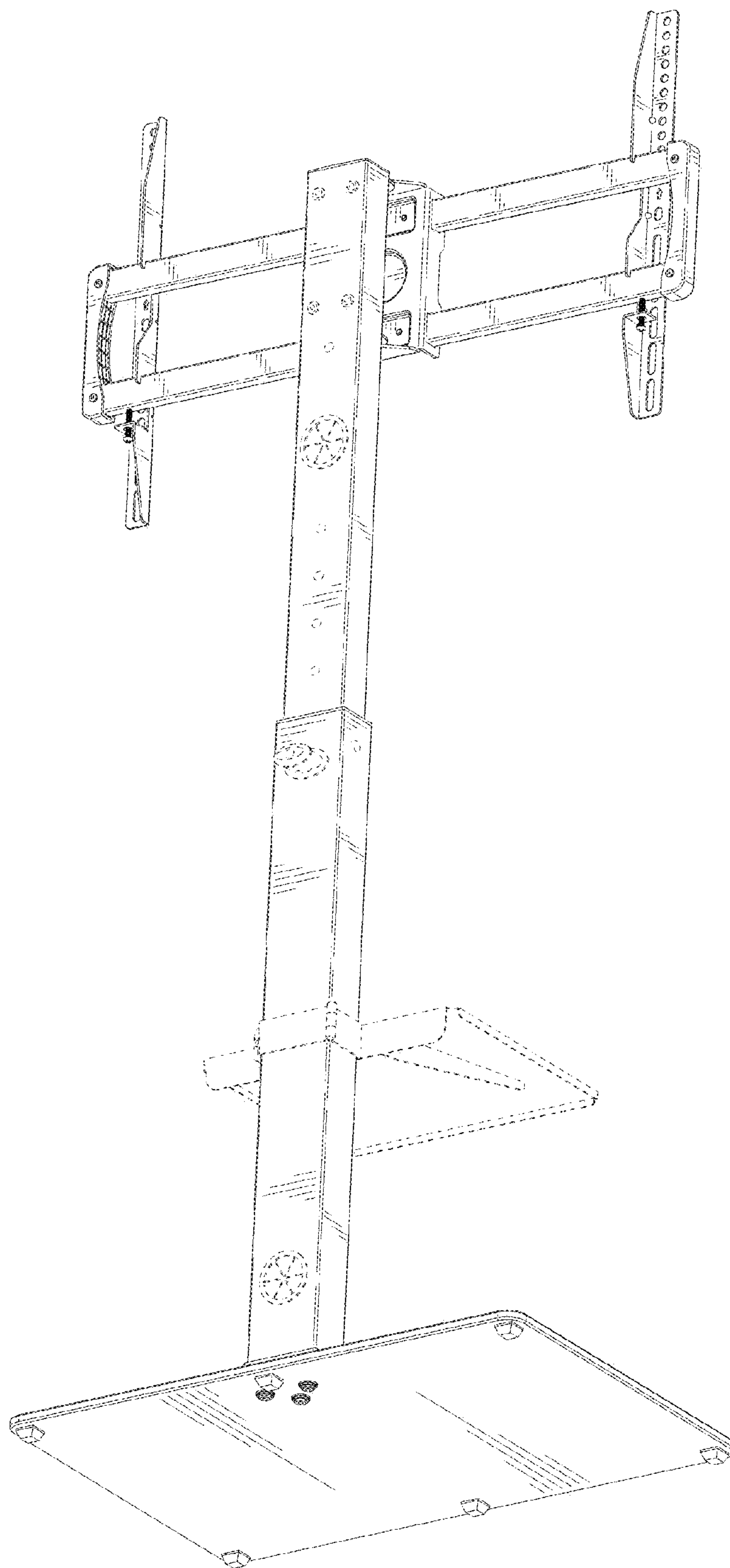


FIG. 10

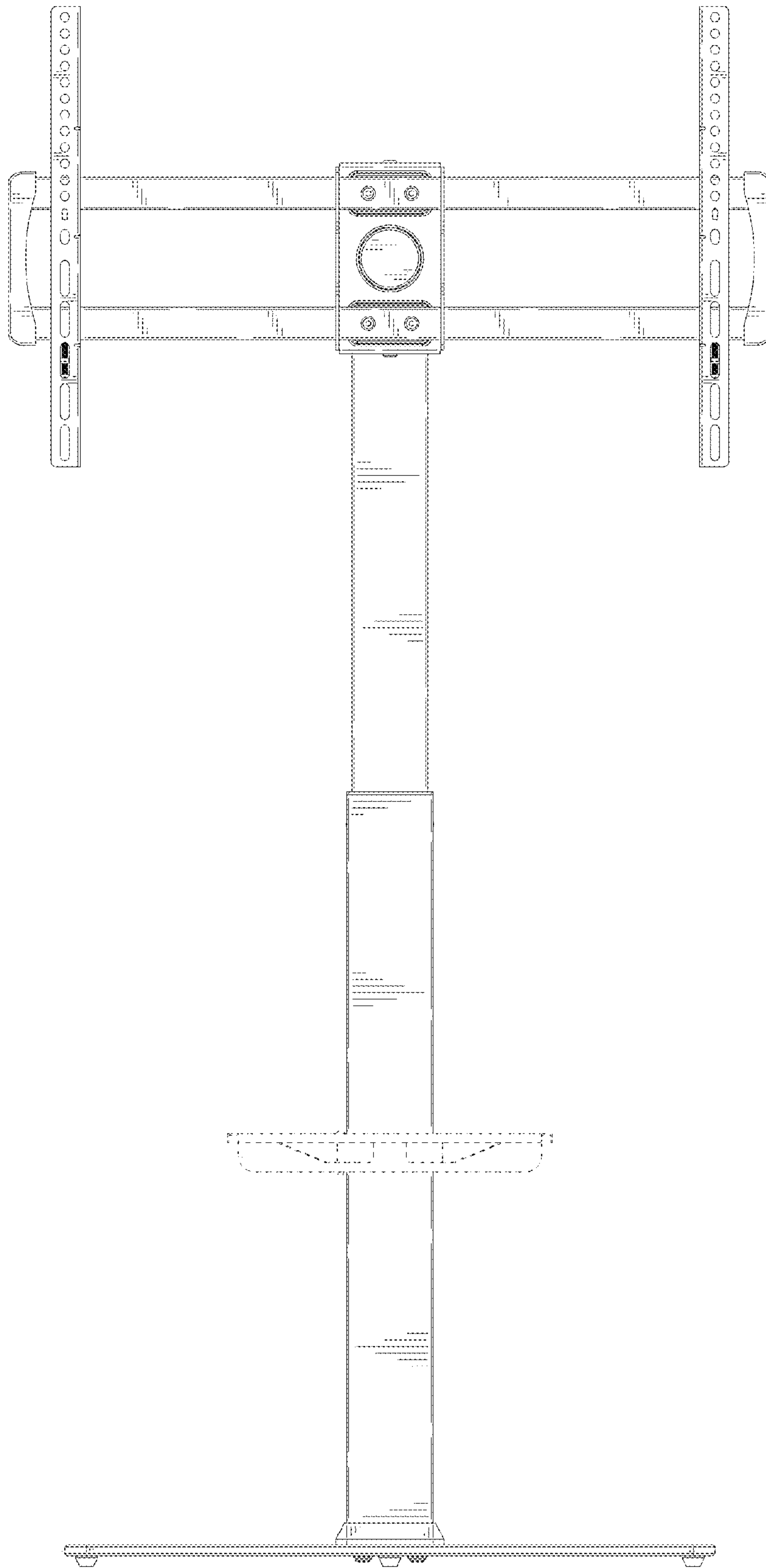


FIG. 11



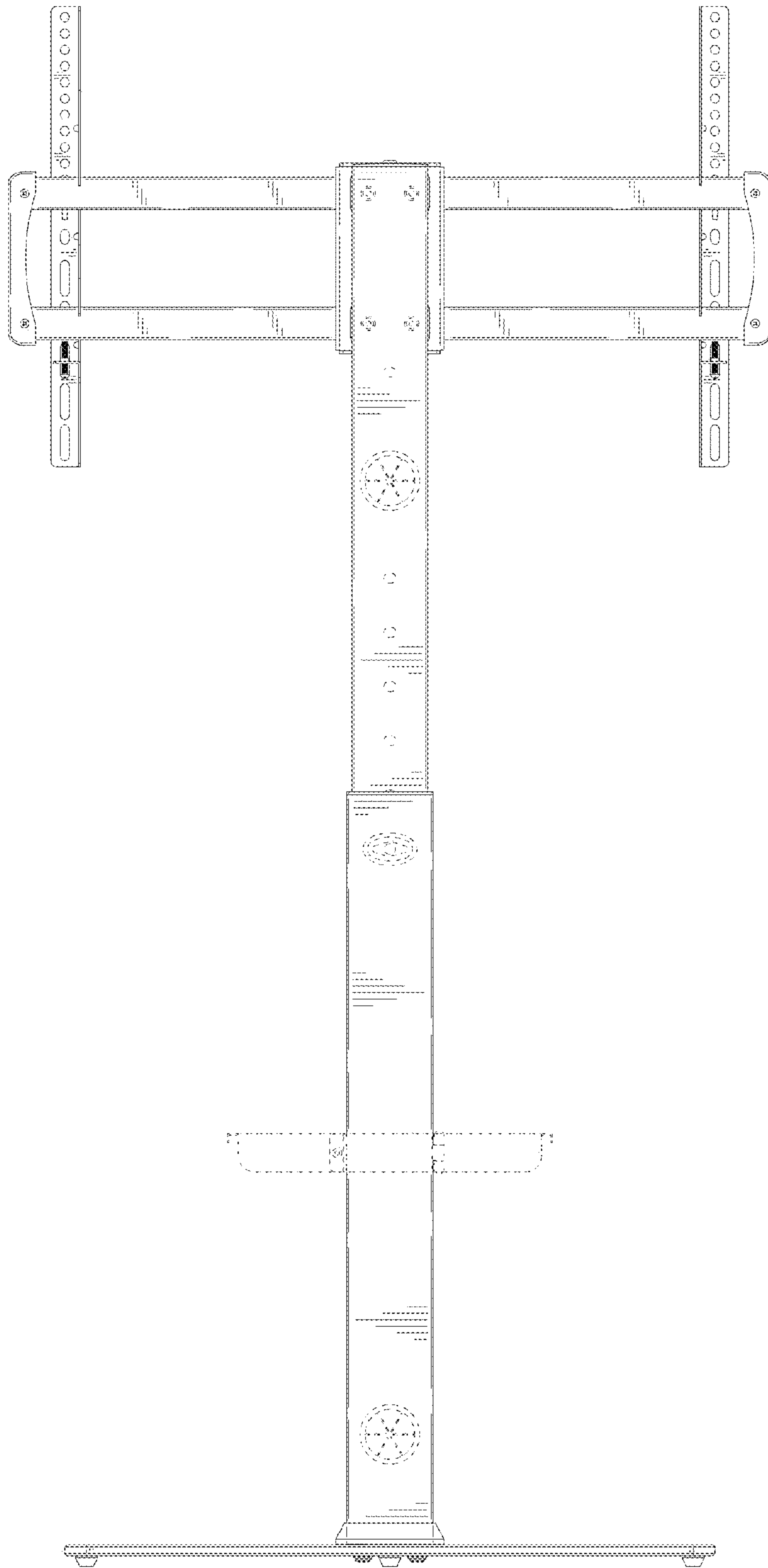


FIG. 12

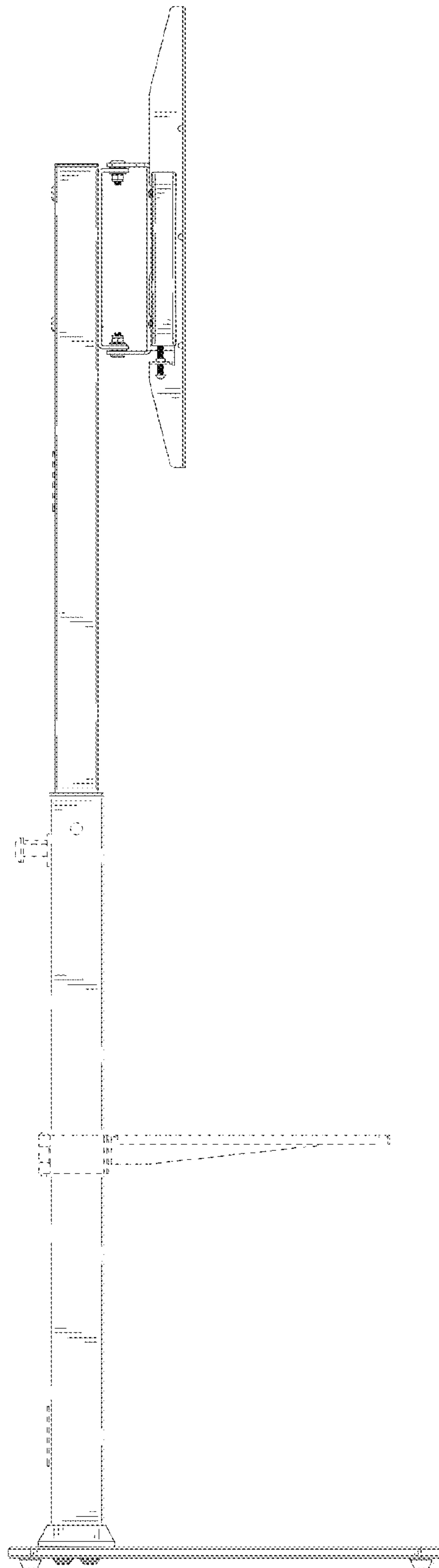


FIG. 13

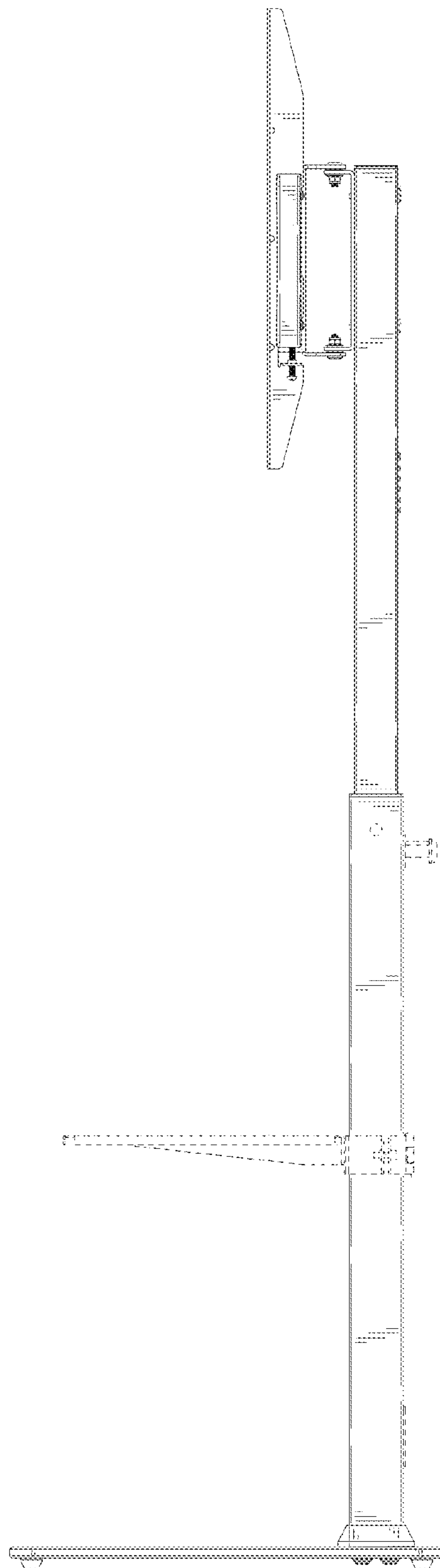


FIG. 14

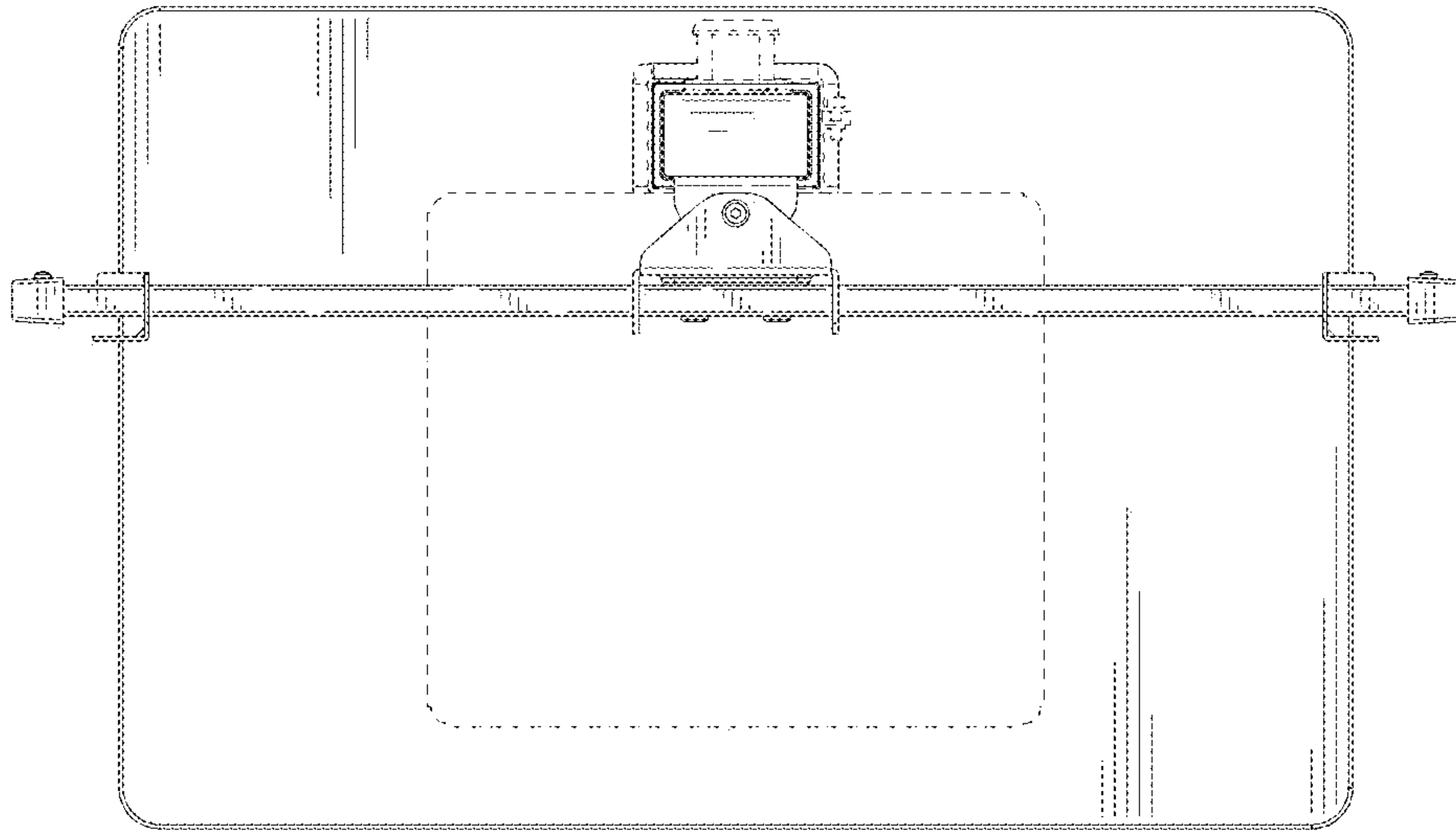


FIG. 15

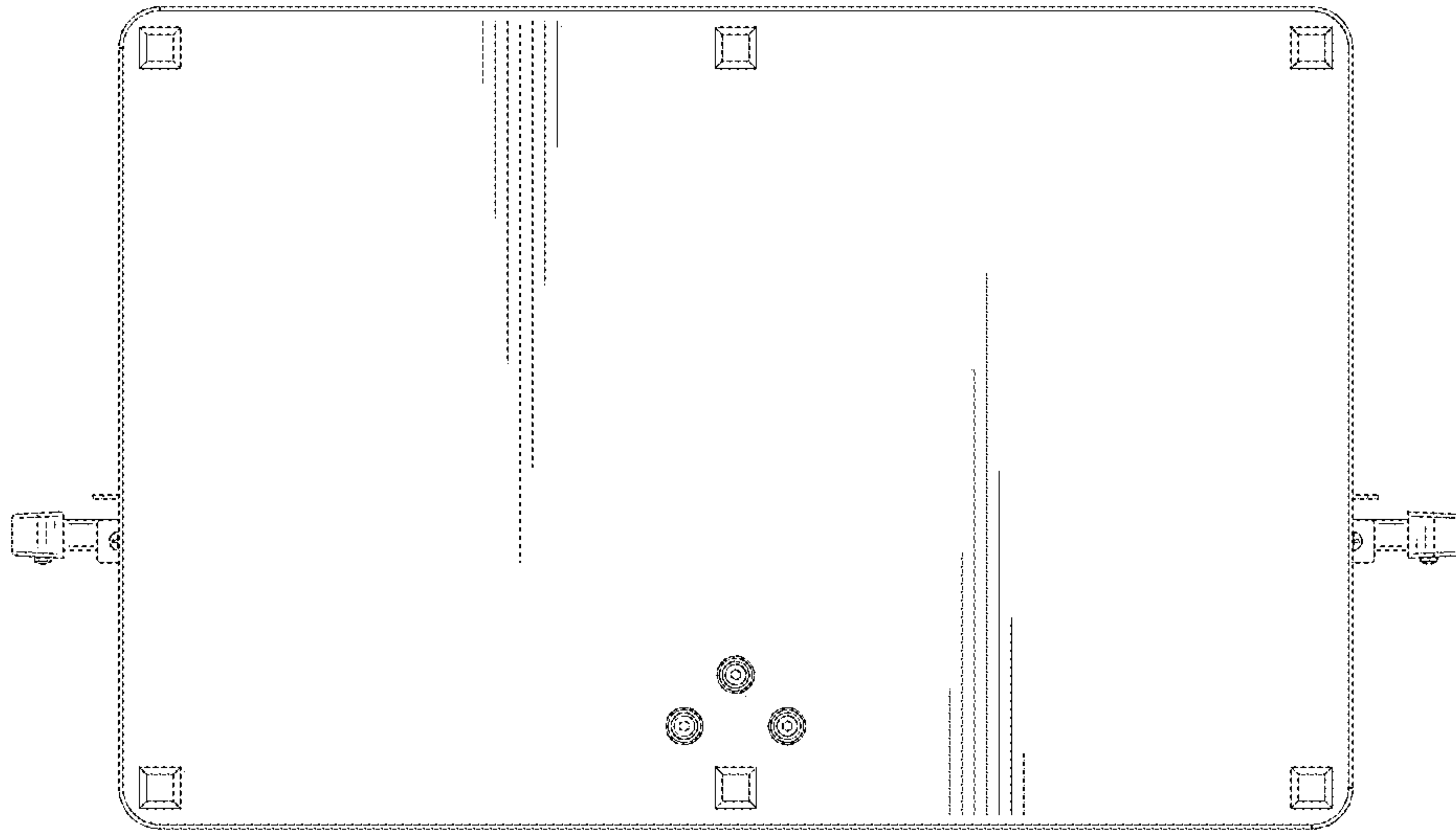


FIG. 16