



US00D921618S

(12) **United States Design Patent**  
**Shimada et al.**

(10) **Patent No.:** **US D921,618 S**  
(45) **Date of Patent:** **\*\* Jun. 8, 2021**

- (54) **ANTENNA FOR WIRELESS TAG**
- (71) Applicants: **DAIO PAPER CORPORATION**,  
Ehime (JP); **DAIO ENGINEERING Co., ltd.**, Ehime (JP)
- (72) Inventors: **Takuro Shimada**, Ehime (JP); **Bista Alina**, Ehime (JP)
- (73) Assignees: **DAIO PAPER CORPORATION**,  
Ehime (JP); **DAIO ENGINEERING Co., ltd.**, Ehime (JP)
- (\*\*) Term: **15 Years**
- (21) Appl. No.: **29/716,091**
- (22) Filed: **Dec. 6, 2019**
- (30) **Foreign Application Priority Data**  
Jun. 18, 2019 (JP) ..... 2019-013421
- (51) **LOC (13) Cl.** ..... **14-03**
- (52) **U.S. Cl.**  
USPC ..... **D14/230**
- (58) **Field of Classification Search**  
USPC ..... D14/138, 230-238, 299, 358; D12/42, D12/43  
CPC ..... H01Q 7/00; H01Q 13/10; H01Q 9/285;  
H01Q 19/30; H01Q 19/12; H01Q 1/38;  
H01Q 1/36; H01Q 2/0027; H01Q 1/48;  
H01Q 9/045; H01Q 1/243; H04B 1/0475;  
H04B 1/034; H05K 11/00  
See application file for complete search history.

D715,783 S *	10/2014	Forster	.....	D14/230
D716,773 S *	11/2014	Forster	.....	D14/230
D802,568 S *	11/2017	Manivannan	.....	D14/230
D803,199 S *	11/2017	Manivannan	.....	D14/230
D812,598 S *	3/2018	Enguent	.....	D14/230
D818,459 S *	5/2018	Forster	.....	D14/230
D840,380 S *	2/2019	Forster	.....	D14/230
D901,465 S *	11/2020	Yang	.....	D14/230
D905,668 S *	12/2020	He	.....	D14/230
2012/0268338 A1 *	10/2012	Yoo	.....	H01Q 1/38 343/803

\* cited by examiner

Primary Examiner — John Windmuller

(74) Attorney, Agent, or Firm — IPUSA, PLLC

- (56) **References Cited**  
U.S. PATENT DOCUMENTS  
D715,275 S \* 10/2014 Escaro ..... D14/230  
D715,779 S \* 10/2014 Forster ..... D14/230

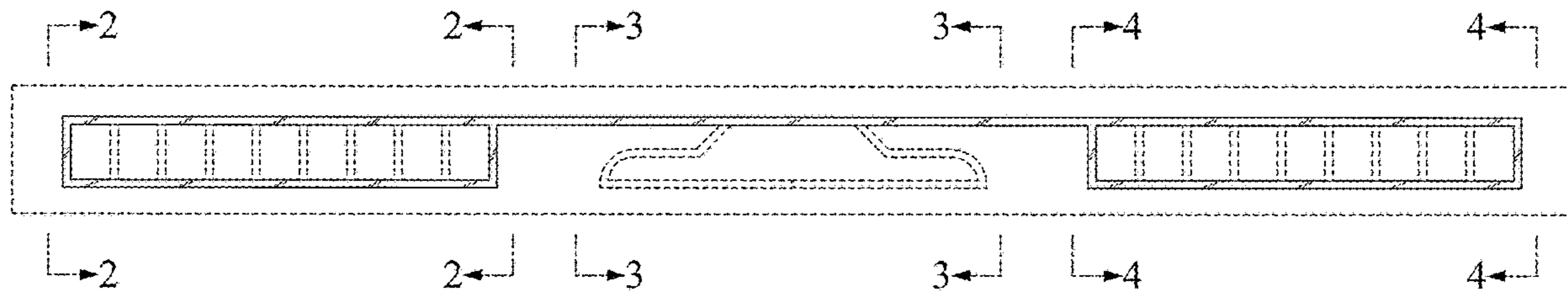
(57) **CLAIM**

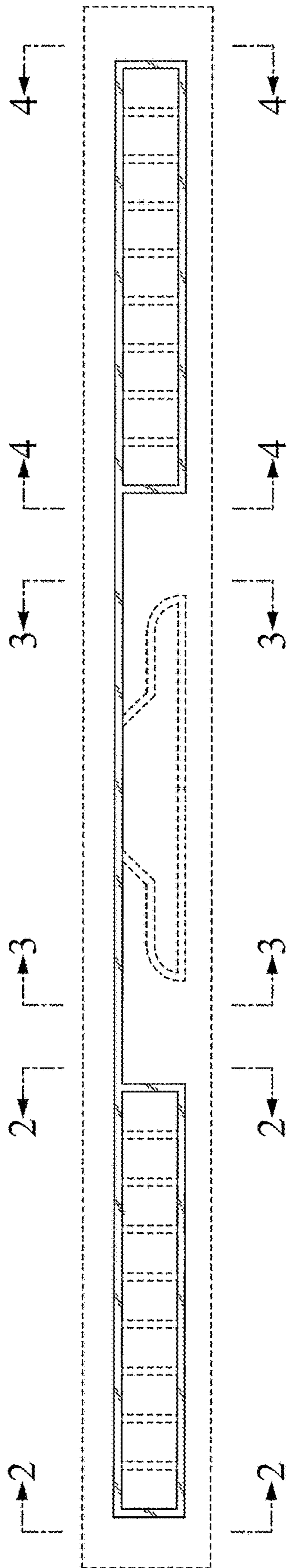
The ornamental design for an antenna for wireless tag, as shown and described.

**DESCRIPTION**

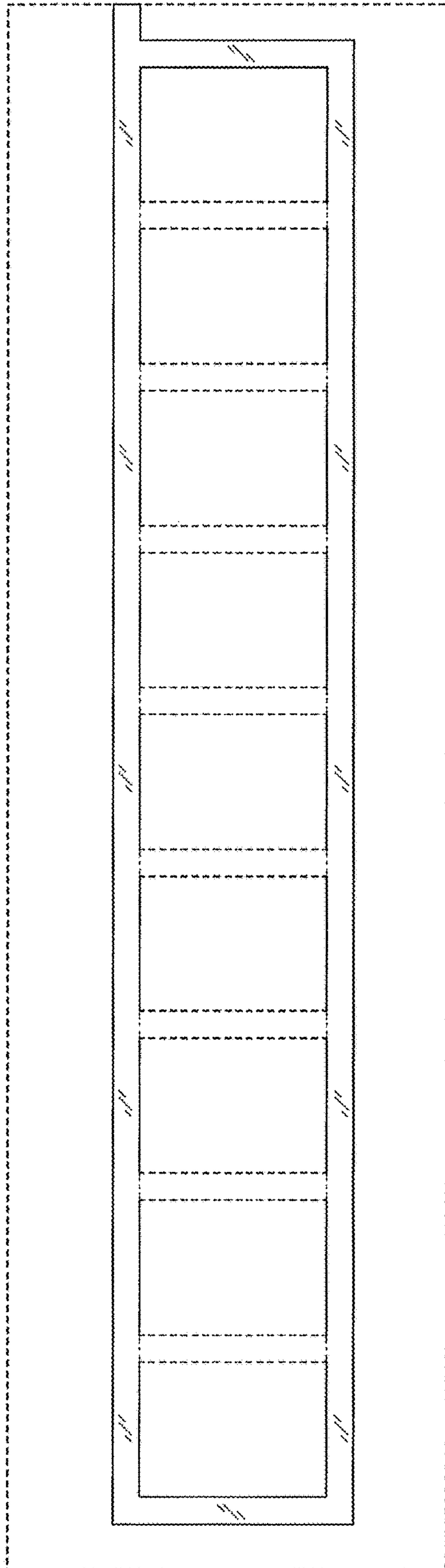
FIG. 1 is a front plan view of an antenna for wireless tag, showing our new design;  
 FIG. 2 is an enlarged portion view thereof, illustrating the region indicated by 2 in FIG. 1;  
 FIG. 3 is an enlarged portion view thereof, illustrating the region indicated by 3 in FIG. 1; and,  
 FIG. 4 is an enlarged portion view thereof, illustrating the region indicated by 4 in FIG. 1.  
 The broken lines in the drawings illustrate portions of the antenna for wireless tag that form no part of the claimed design. The dot-dash lines represent only the boundary between the claimed portion and unclaimed portions. All sides not shown form no part of the claimed design.

**1 Claim, 4 Drawing Sheets**

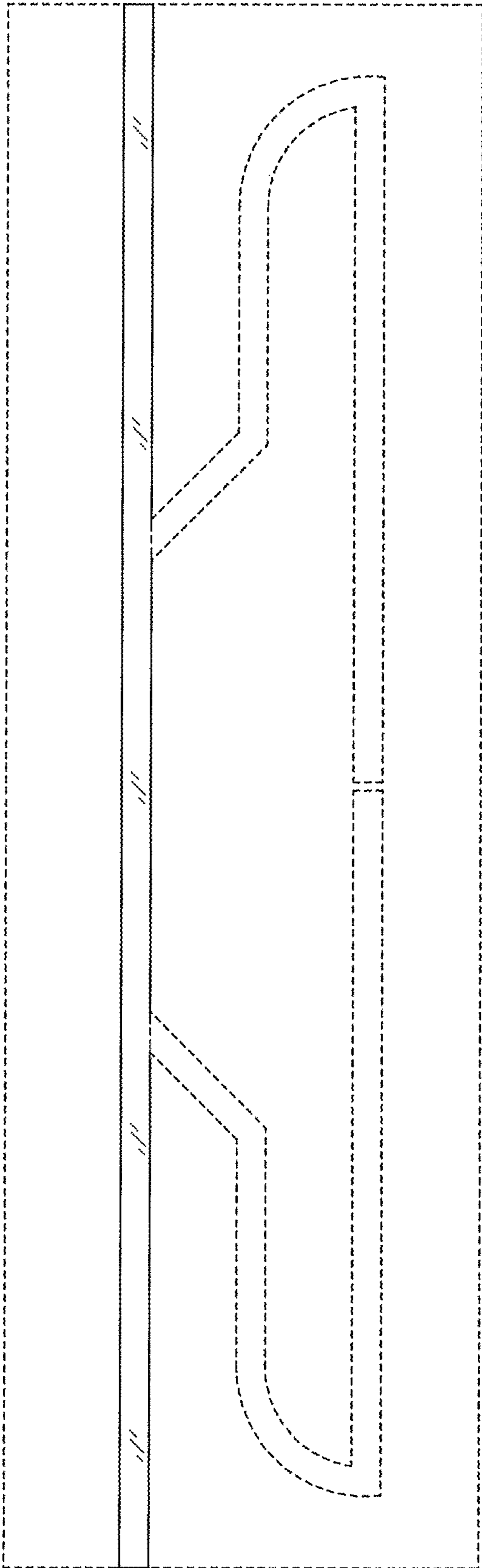




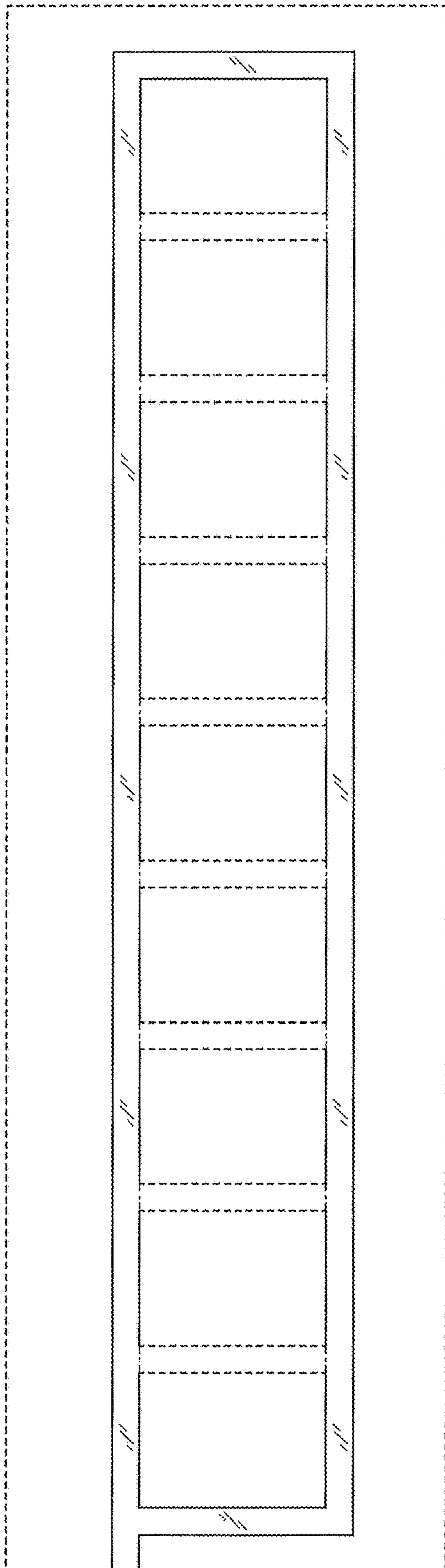
*Fig. 1*



*Fig. 2*



*Fig. 3*



*Fig. 4*