



US00D921616S

(12) **United States Design Patent**
Rissanen et al.

(10) **Patent No.:** **US D921,616 S**
(45) **Date of Patent:** **** Jun. 8, 2021**

(54) **STAND FOR A LOUDSPEAKER**

(71) Applicant: **Genelec Oy**, Iisalmi (FI)

(72) Inventors: **Ilkka Rissanen**, Iisalmi (FI); **Tommi Paavilainen**, Iisalmi (FI); **Harri Koskinen**, Iisalmi (FI)

(73) Assignee: **GENELEC OY**, Iisalmi (FI)

(**) Term: **15 Years**

(21) Appl. No.: **29/679,437**

(22) Filed: **Feb. 6, 2019**

(30) **Foreign Application Priority Data**

Aug. 6, 2018 (EM) 005561503-0001
Aug. 6, 2018 (EM) 005561503-0002
Aug. 6, 2018 (EM) 005561503-0003

(51) **LOC (13) Cl.** **14-03**

(52) **U.S. Cl.**
USPC **D14/224**; D14/209.1

(58) **Field of Classification Search**
USPC ... D14/214, 211, 215, 224, 209.1, 204, 229;
181/151, 199, 145; 381/349; 455/90.3,
(Continued)

(56) **References Cited**

U.S. PATENT DOCUMENTS

D214,912 S * 8/1969 Duern D14/212
D231,660 S * 5/1974 Ishikawa D14/214
(Continued)

Primary Examiner — Paula Allen Greene

(74) *Attorney, Agent, or Firm* — Walter Haverfield LLP;
Sean F. Mellino

(57) **CLAIM**

The ornamental design for a stand for a loudspeaker, as shown and described.

DESCRIPTION

FIG. 1 is a top perspective view of a first embodiment of a stand for a loudspeaker according to the present invention; FIG. 2 is a bottom perspective view of the stand for a loudspeaker according to the present invention as shown in FIG. 1;

FIG. 3 is a top view of the stand for a loudspeaker according to the present invention as shown in FIG. 1;

FIG. 4 is a bottom view of the stand for a loudspeaker according to the present invention as shown in FIG. 1;

FIG. 5 is a side view of a first side of the stand for a loudspeaker according to the present invention as shown in FIG. 1;

FIG. 6 is a side view of a second side of the stand for a loudspeaker according to the present invention as shown in FIG. 1;

FIG. 7 is a side view of a third side of the stand for a loudspeaker according to the present invention as shown in FIG. 1;

FIG. 8 is a side view of a fourth side of the stand for a loudspeaker according to the present invention as shown in FIG. 1;

FIG. 9 is a top view of a second embodiment of a stand for a loudspeaker according to the present invention;

FIG. 10 is a bottom view of the stand for a loudspeaker according to the present invention as shown in FIG. 9;

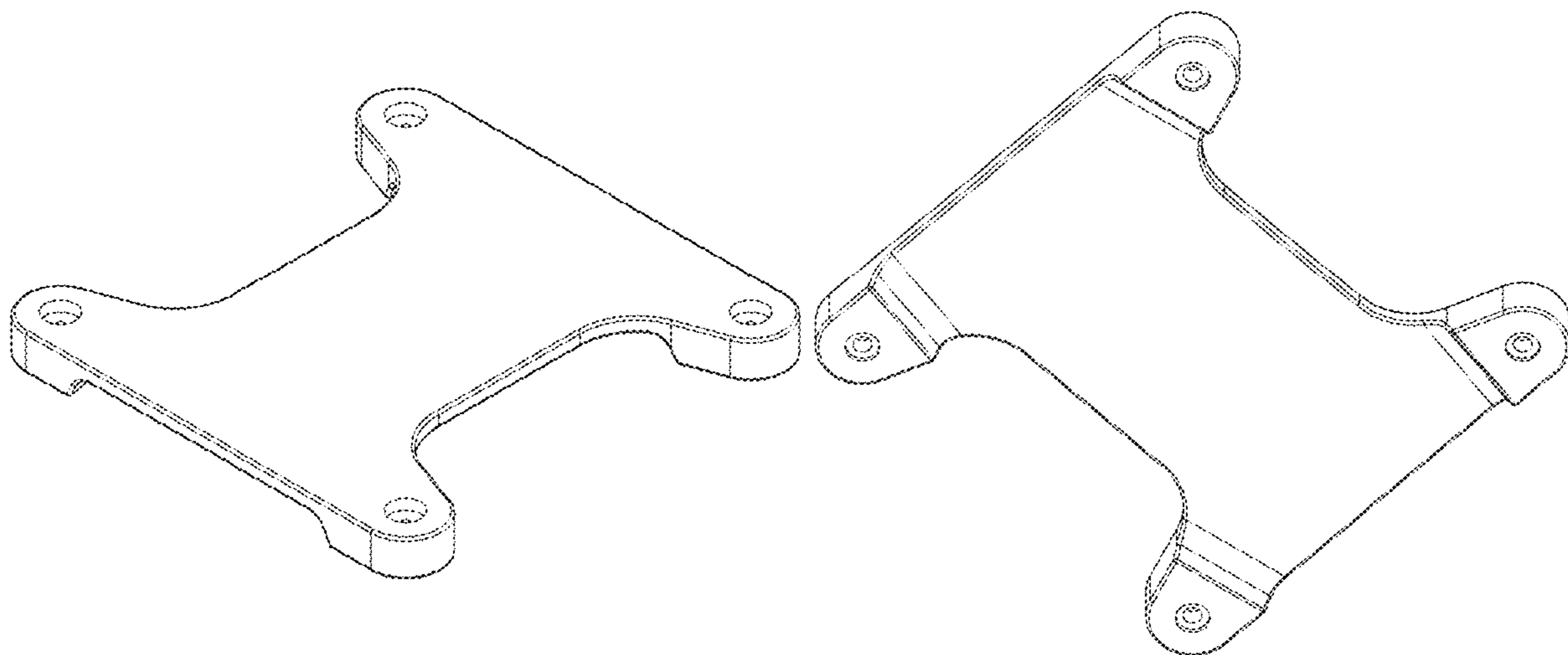
FIG. 11 is a side view of a first side of the stand for a loudspeaker according to the present invention as shown in FIG. 9;

FIG. 12 is a side view of a second side of the stand for a loudspeaker according to the present invention as shown in FIG. 9;

FIG. 13 is a side view of a third side of the stand for a loudspeaker according to the present invention as shown in FIG. 9; and,

FIG. 14 is a side view of a fourth side of the stand for a loudspeaker according to the present invention as shown in FIG. 9.

1 Claim, 14 Drawing Sheets



US D921,616 S

Page 2

(58) **Field of Classification Search**

USPC 455/575.1, 569.1; D21/716, 717;
248/158, 188.1, 346.11; 720/600
CPC H04R 1/02; H04R 5/00; H04R 1/1026;
H04R 5/02; H05K 7/00; A47B 81/06;
A47B 57/46; F16M 7/00

See application file for complete search history.

(56) **References Cited**

U.S. PATENT DOCUMENTS

D271,967 S * 12/1983 Meyer D14/214
D288,262 S * 2/1987 Yokoishi D2/962
D290,953 S * 7/1987 Sklaar D14/211
D328,898 S * 8/1992 Christie D14/211
5,416,284 A * 5/1995 Steele H04R 1/02
181/199
D387,351 S * 12/1997 Mackie D14/215
D400,735 S * 11/1998 House D14/448
D416,906 S * 11/1999 Miyazaki D14/214
D417,872 S * 12/1999 Monson D14/211
D419,158 S * 1/2000 Mackie D14/214
D439,238 S * 3/2001 Mackie D14/214
D439,239 S * 3/2001 Ito D14/214
D448,753 S * 10/2001 Masui D14/214
D458,269 S * 6/2002 Goto D14/447
D461,463 S * 8/2002 Oikawa D14/211
D470,474 S * 2/2003 Kobayashi D14/215
D473,212 S * 4/2003 Nugent D14/214
D473,563 S * 4/2003 Russell D14/447
6,596,374 B1 * 7/2003 Adjeleian B60N 3/103
206/490
D483,026 S * 12/2003 Koskinen D14/211
D484,115 S * 12/2003 Nishii D14/215
D488,803 S * 4/2004 Chin D14/211
D518,818 S * 4/2006 Motoishi D14/214

D542,275 S * 5/2007 Hibino D14/214
D568,888 S * 5/2008 Eymann D14/451
D634,737 S * 3/2011 Lippert D14/229
7,918,426 B2 * 4/2011 Short F16M 11/105
248/225.11
D653,237 S * 1/2012 Davies D14/211
8,141,828 B2 * 3/2012 Clark B23Q 3/186
248/188.4
D672,751 S * 12/2012 Davies D14/215
D674,803 S * 1/2013 Westrup A45C 3/02
D14/440
D696,671 S * 12/2013 Carnevali D14/253
8,600,097 B2 * 12/2013 McGhee H04R 1/02
181/198
D708,165 S * 7/2014 Woo H04R 1/02
D14/209.1
8,876,071 B2 * 11/2014 Brooke A47B 91/16
248/188.8
D722,303 S * 2/2015 Oliveras D14/209.1
D722,304 S * 2/2015 Oliveras D14/209.1
D754,097 S * 4/2016 Pineau D14/204
9,463,373 B2 * 10/2016 Plunket A63C 19/02
D777,704 S * 1/2017 Helwig D14/215
D794,605 S * 8/2017 Koskinen D14/214
D813,200 S * 3/2018 Rabinowitz D14/215
D813,840 S * 3/2018 Rabinowitz D14/215
D820,236 S * 6/2018 Koskinen D14/214
D831,320 S * 10/2018 Savio D2/962
D835,066 S * 12/2018 Tan D14/211
D850,420 S * 6/2019 Koskinen D14/224
D865,710 S * 11/2019 Armstrong G06F 1/1684
D14/209.1
2005/0258321 A1 * 11/2005 Worrall F16M 13/027
248/201
2011/0192269 A1 * 8/2011 Voorhees A61K 31/519
84/421

* cited by examiner

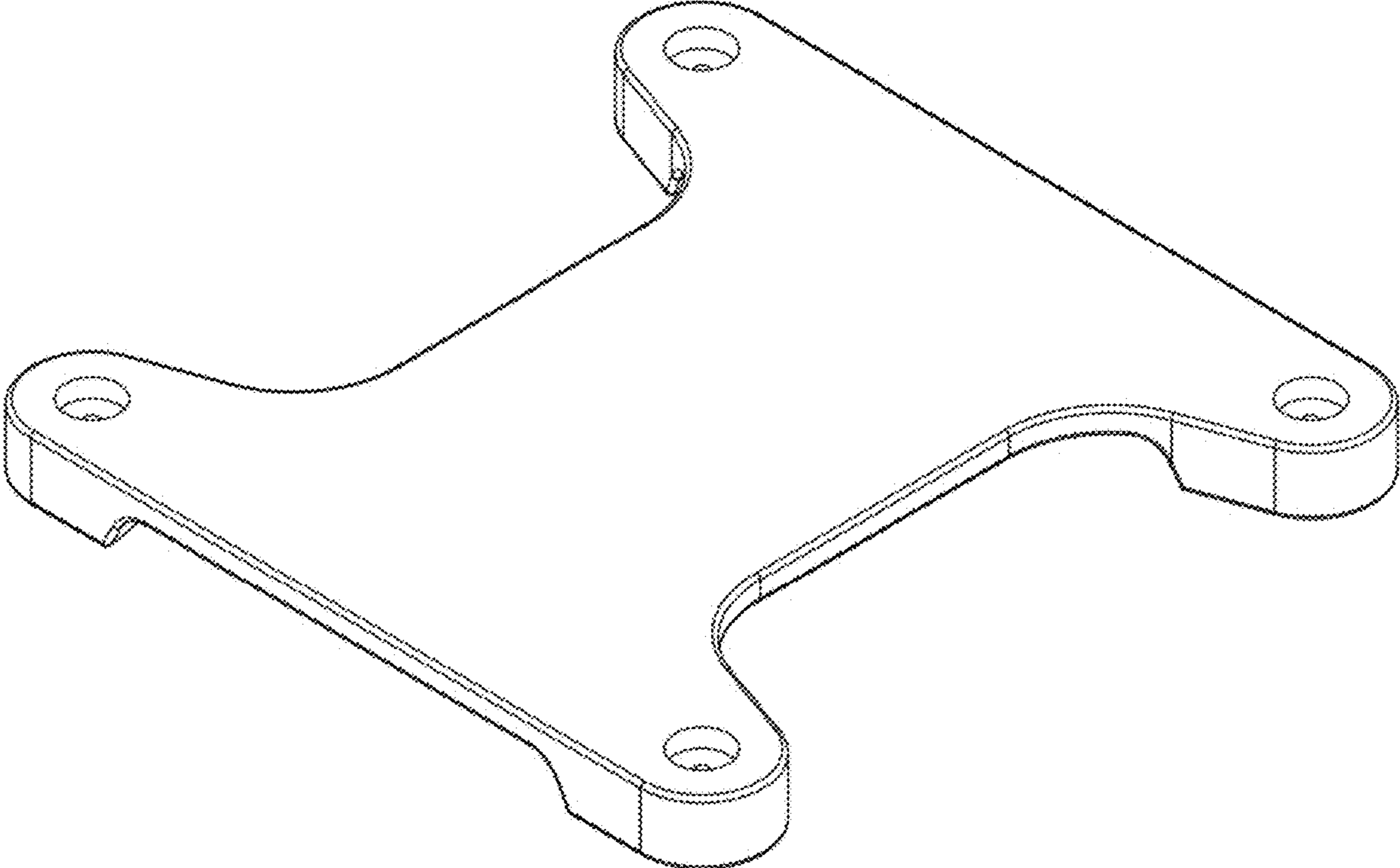


FIG. 1

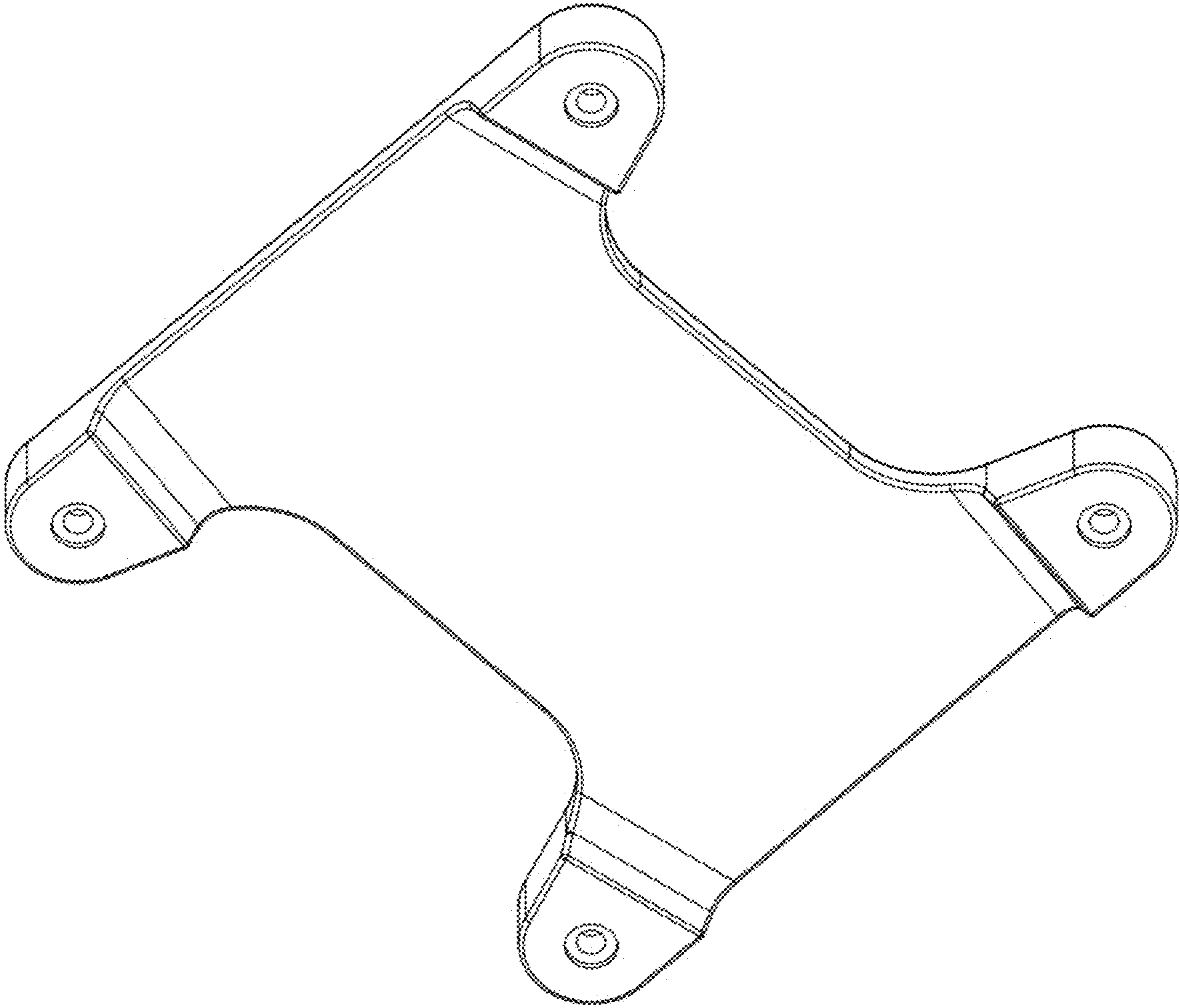


FIG. 2

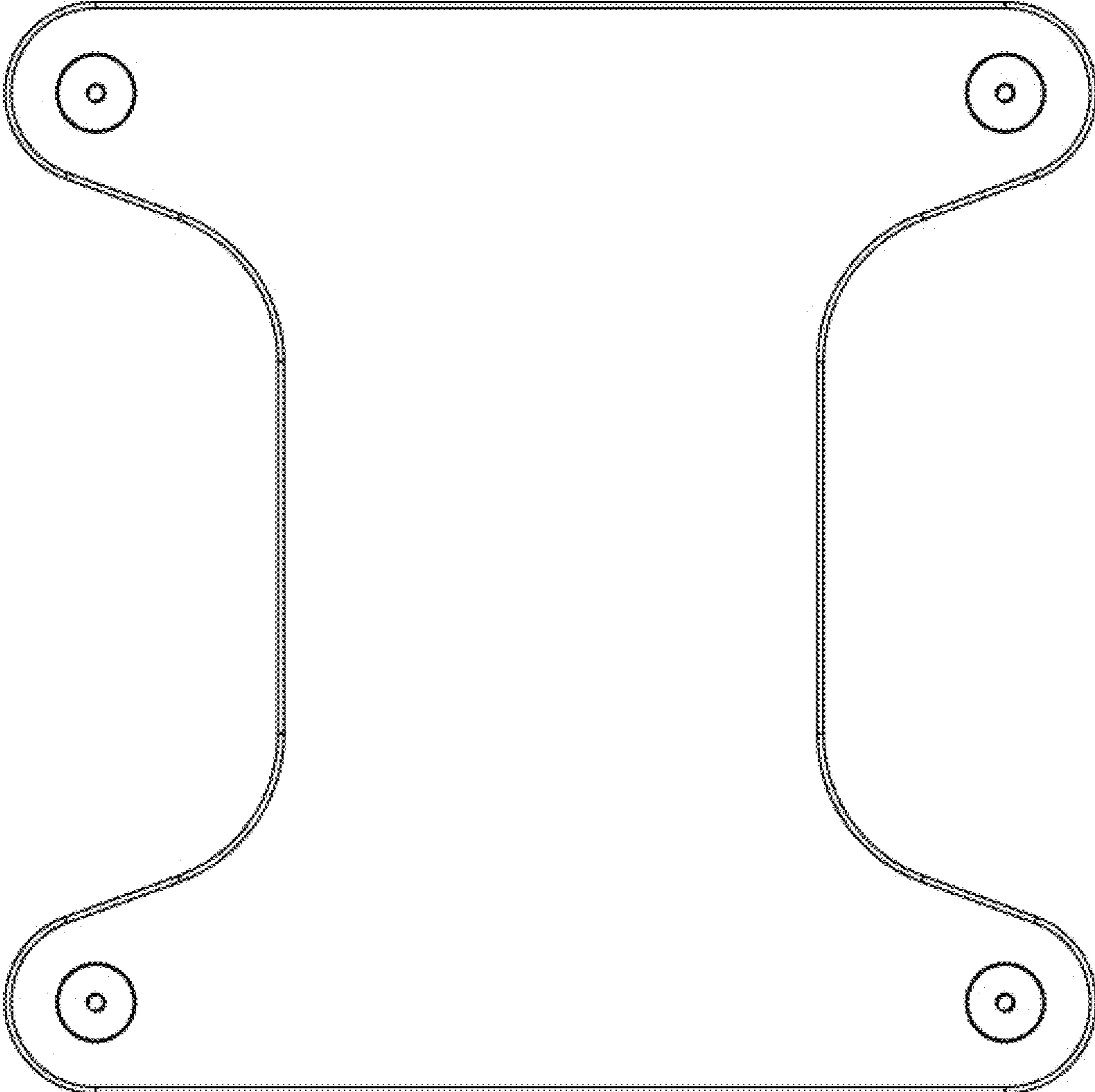


FIG. 3

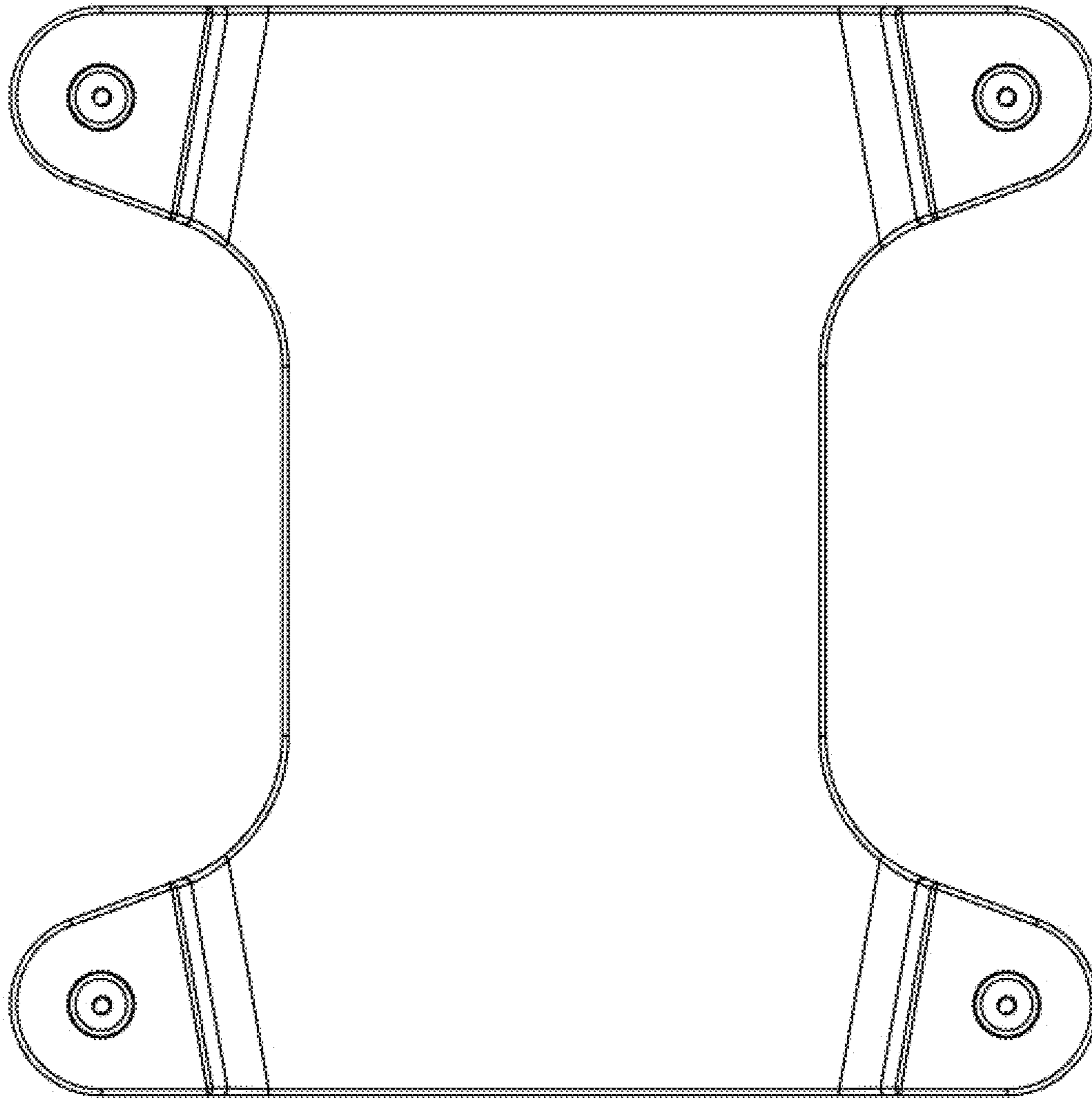


FIG. 4

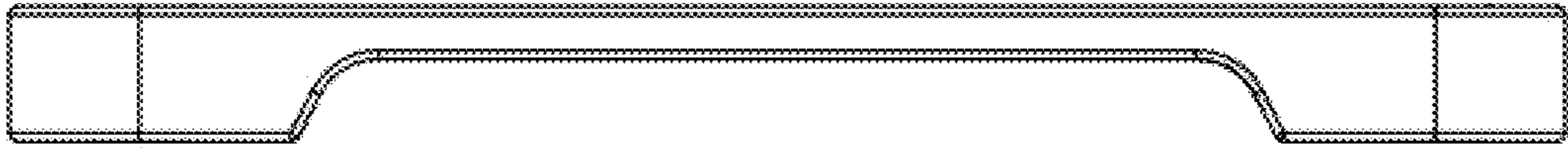


FIG. 5

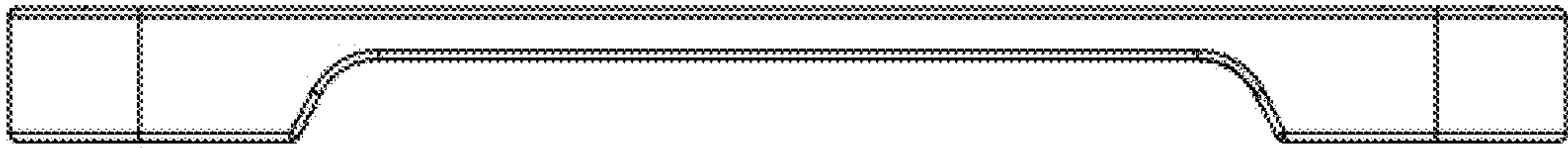


FIG. 6

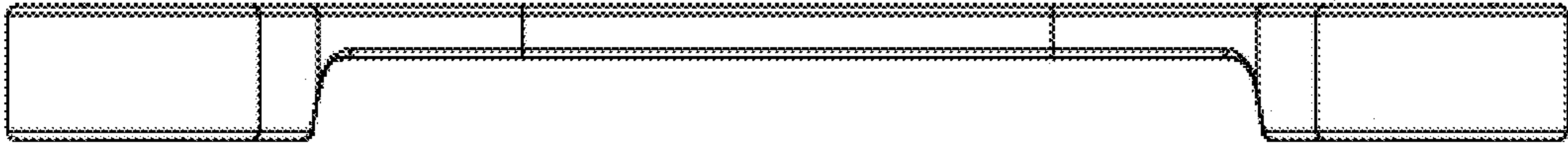


FIG. 7

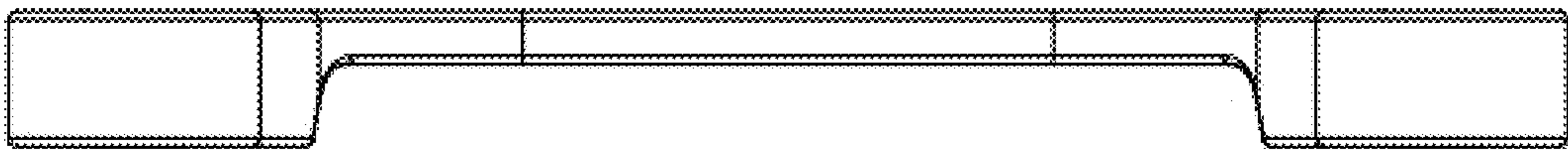


FIG. 8

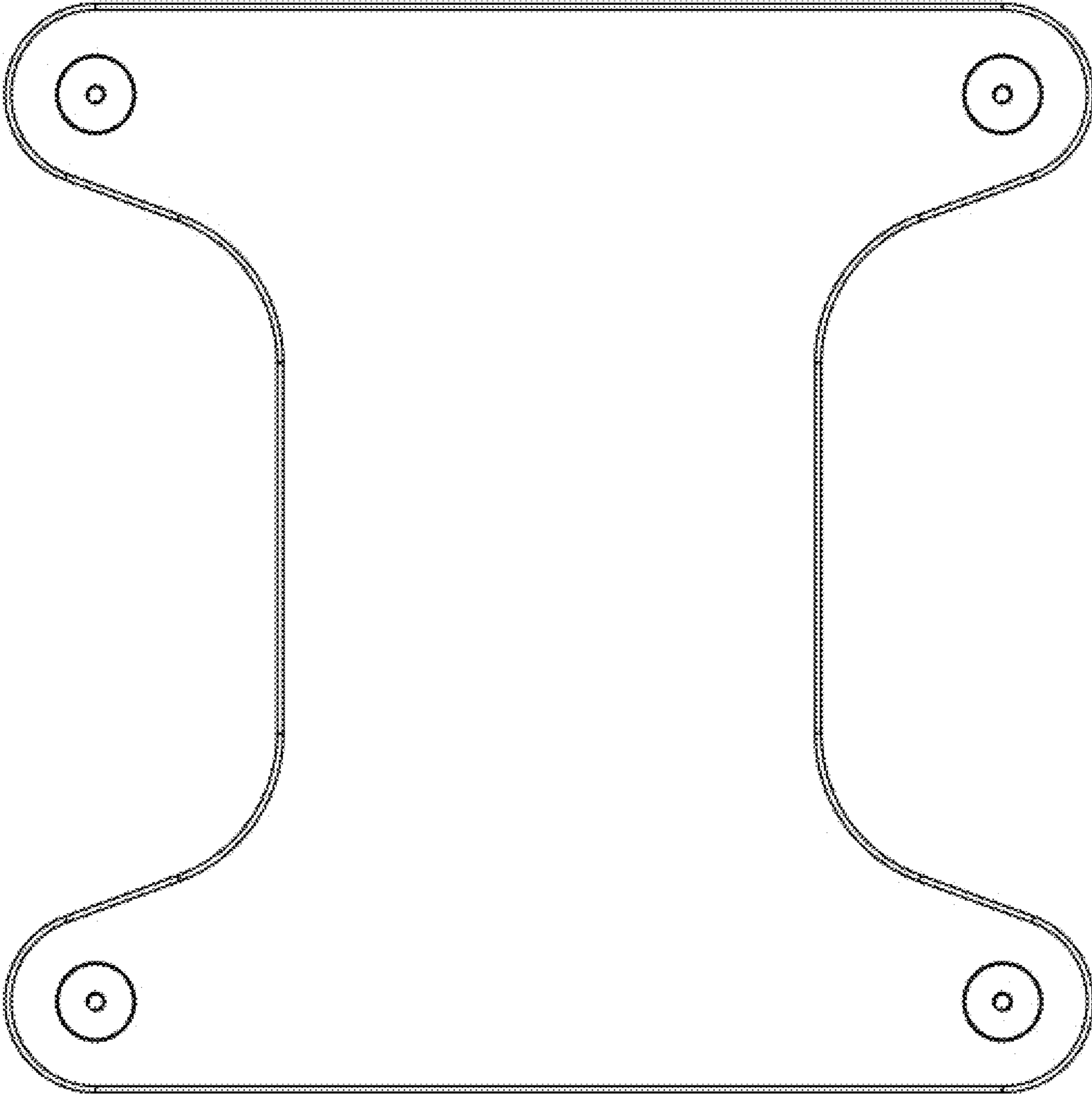


FIG. 9

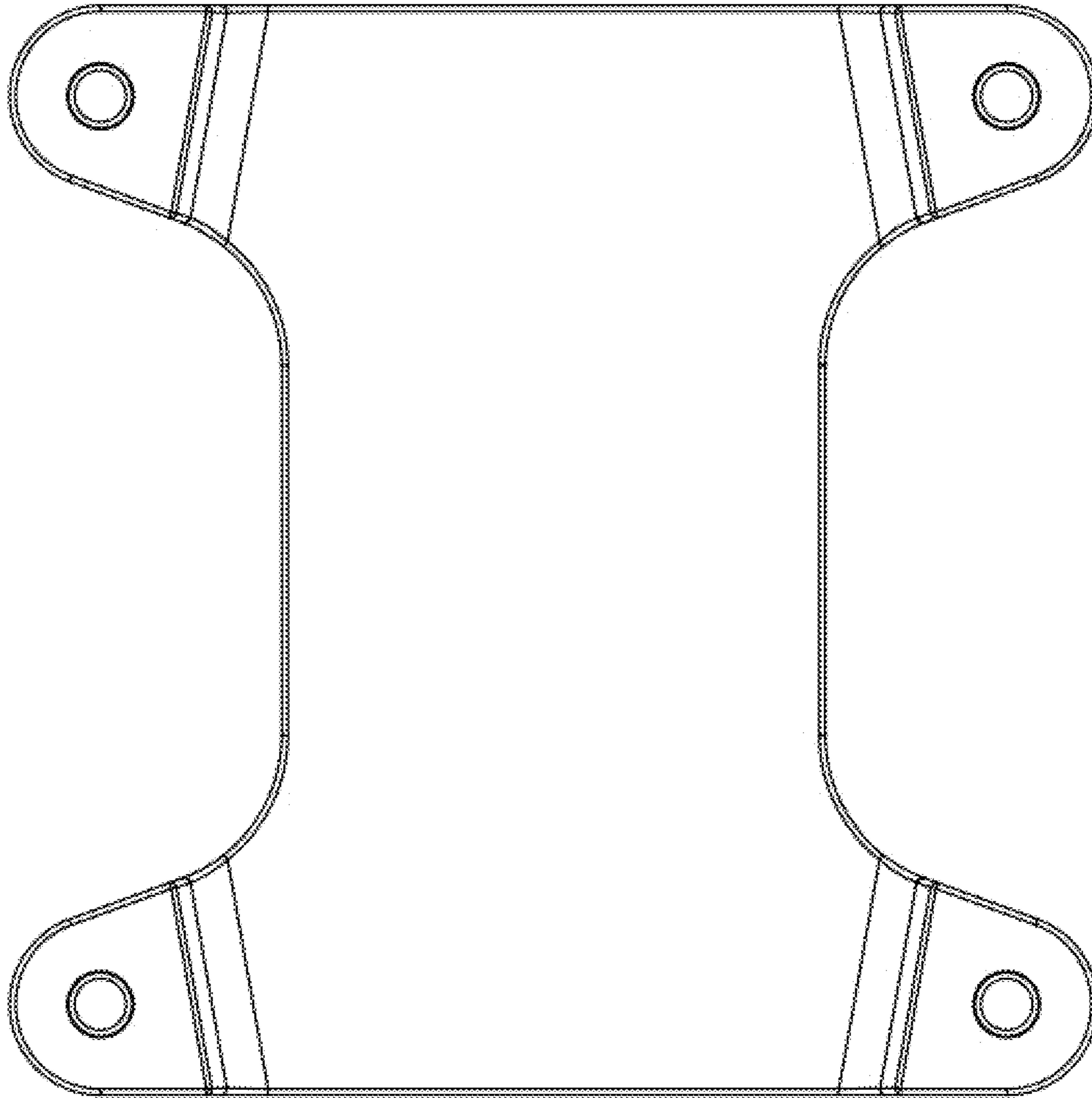


FIG. 10

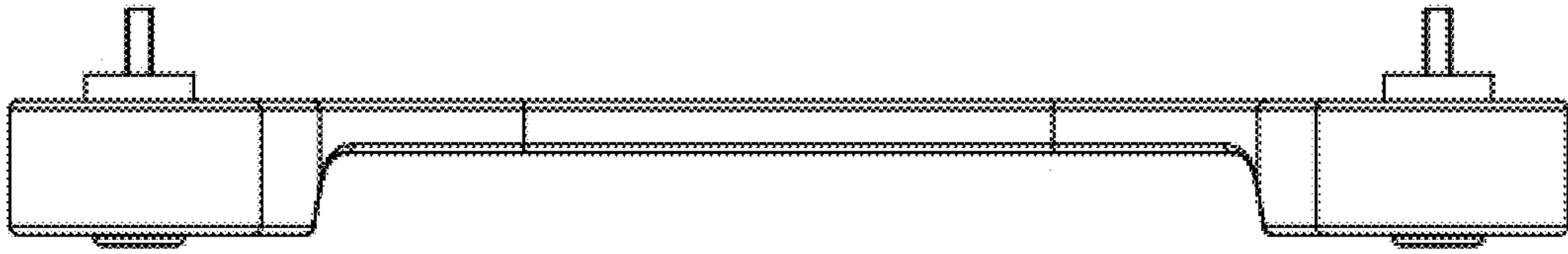


FIG. 11

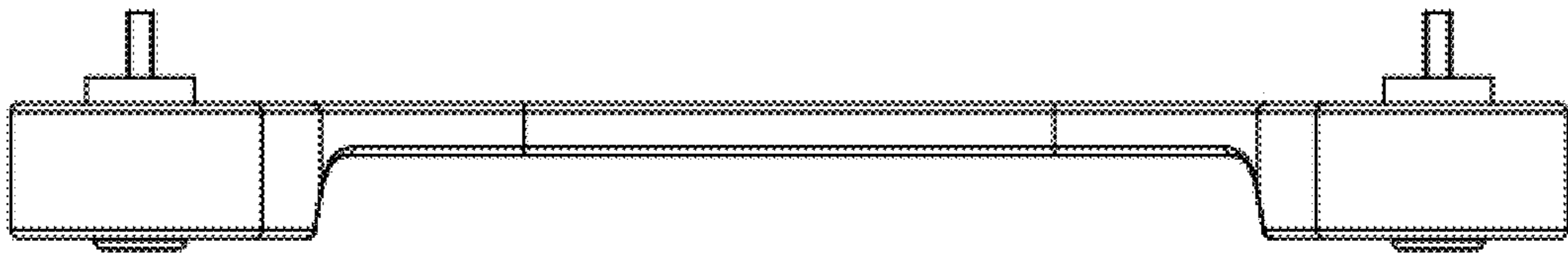


FIG. 12

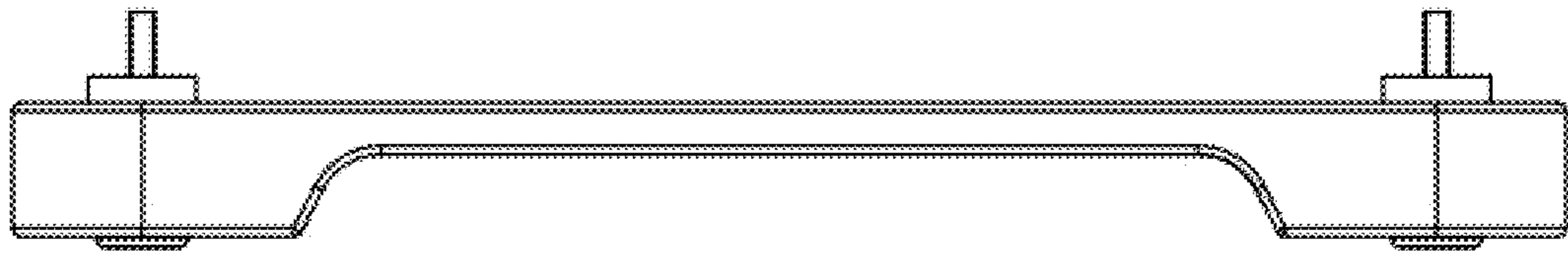


FIG. 13

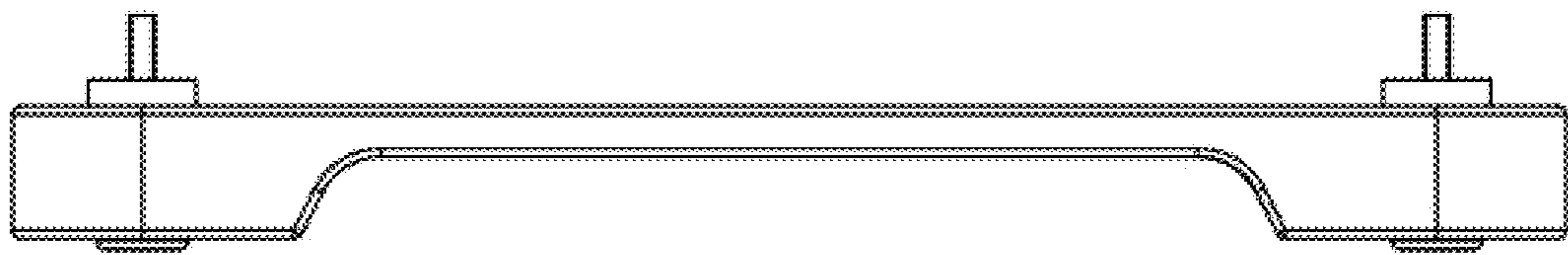


FIG. 14