



US00D921613S

(12) **United States Design Patent**
Yu

(10) **Patent No.:** **US D921,613 S**
(45) **Date of Patent:** **** Jun. 8, 2021**

(54) **REMOTE CONTROL**
(71) Applicant: **XIAMEN RAFFLE SYSTEMS
SMART TECHNOLOGY CO., LTD.,
Xiamen (CN)**
(72) Inventor: **Shao Jian Yu, Xiamen (CN)**
(73) Assignee: **XIAMEN RAFFLE SYSTEMS
SMART TECHNOLOGY CO., LTD.,
Xiamen (CN)**
(**) Term: **15 Years**

D365,102 S *	12/1995	Gioscia	D14/218
D368,718 S *	4/1996	Starck	D14/218
D430,861 S *	9/2000	Lytel	D14/147
D435,544 S *	12/2000	Gioscia	D14/218
6,636,272 B1 *	10/2003	Noguchi	H04N 21/42206 348/734
D533,515 S *	12/2006	Klein	D13/168
D561,116 S *	2/2008	Kato	D13/168
D644,630 S *	9/2011	Harden	D14/218
D660,825 S *	5/2012	Harden	D14/218
D761,768 S *	7/2016	Klein	D14/218
D808,930 S	1/2018	Lee et al.		
D823,282 S	7/2018	Kim		
D868,748 S *	12/2019	Deyaf	D14/218
2011/0273556 A1 *	11/2011	Lyons	G02B 23/2484 348/85

(21) Appl. No.: **29/769,702**
(22) Filed: **Feb. 7, 2021**

* cited by examiner

Primary Examiner — John Windmuller

(30) **Foreign Application Priority Data**
Jan. 29, 2021 (CN) 202130068610.6
(51) **LOC (13) Cl.** **14-03**
(52) **U.S. Cl.**
USPC **D14/218; D13/168**
(58) **Field of Classification Search**
USPC D14/218; D13/168
CPC .. A47C 31/008; A61G 13/02; G07C 9/00944;
G08C 17/00; G08C 17/02; H04B 1/202;
H01H 9/02; H01H 9/0214; H01H 9/0235;
H01H 9/0242
See application file for complete search history.

(57) **CLAIM**

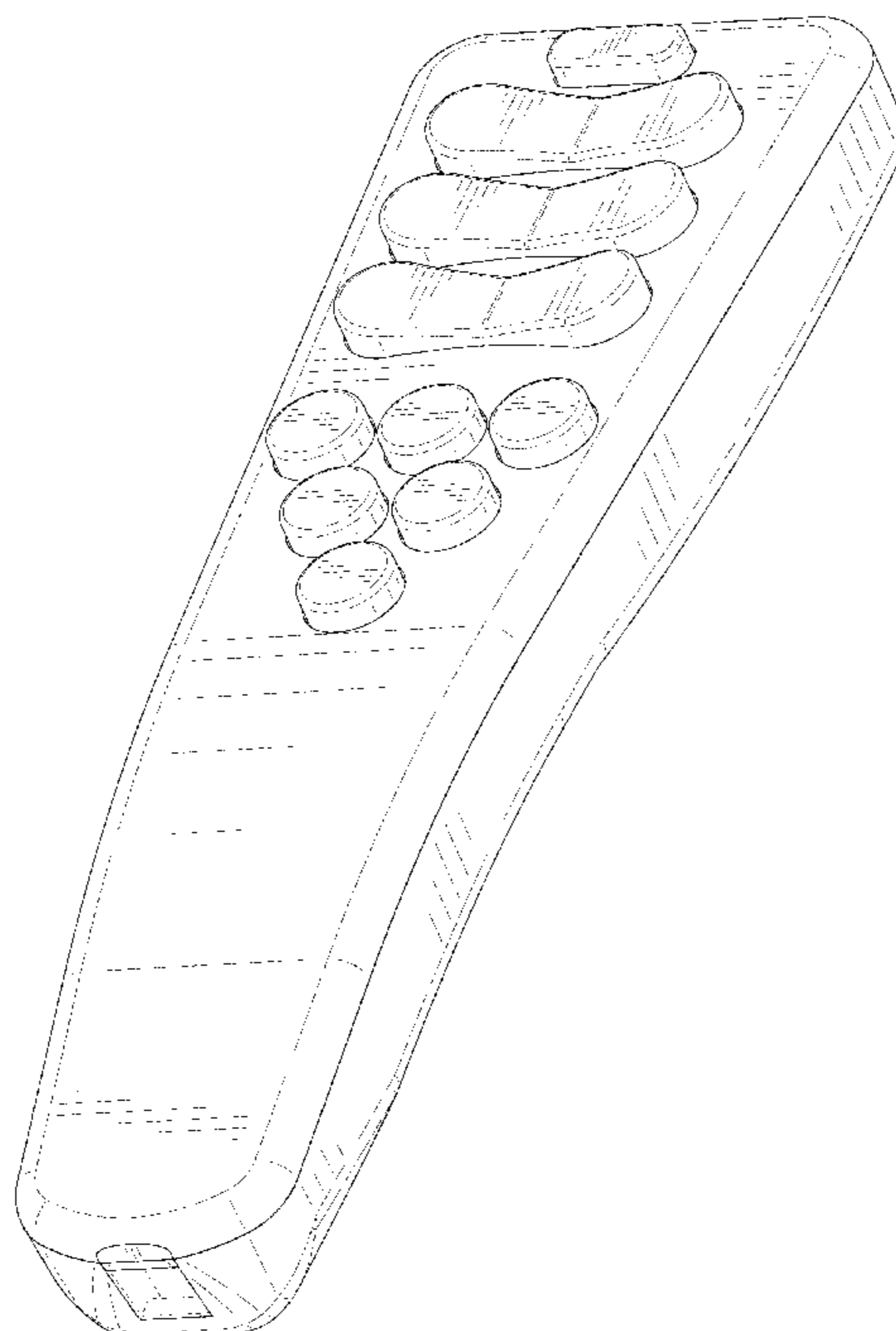
The ornamental design for a remote control, as shown and described.

DESCRIPTION

FIG. 1 is a perspective view of a remote control showing my new design;
FIG. 2 is another perspective view thereof;
FIG. 3 is a front elevational view thereof;
FIG. 4 is a rear elevational view thereof;
FIG. 5 is a left side elevational view thereof;
FIG. 6 is a right side elevational view thereof;
FIG. 7 is a top plan view thereof; and,
FIG. 8 is a bottom plan view thereof.
The broken lines in the drawings depict portions of the remote control that form no part of the claimed design.

(56) **References Cited**
U.S. PATENT DOCUMENTS
D210,668 S * 4/1968 Janda D14/248
D353,596 S * 12/1994 Usami D14/218

1 Claim, 8 Drawing Sheets



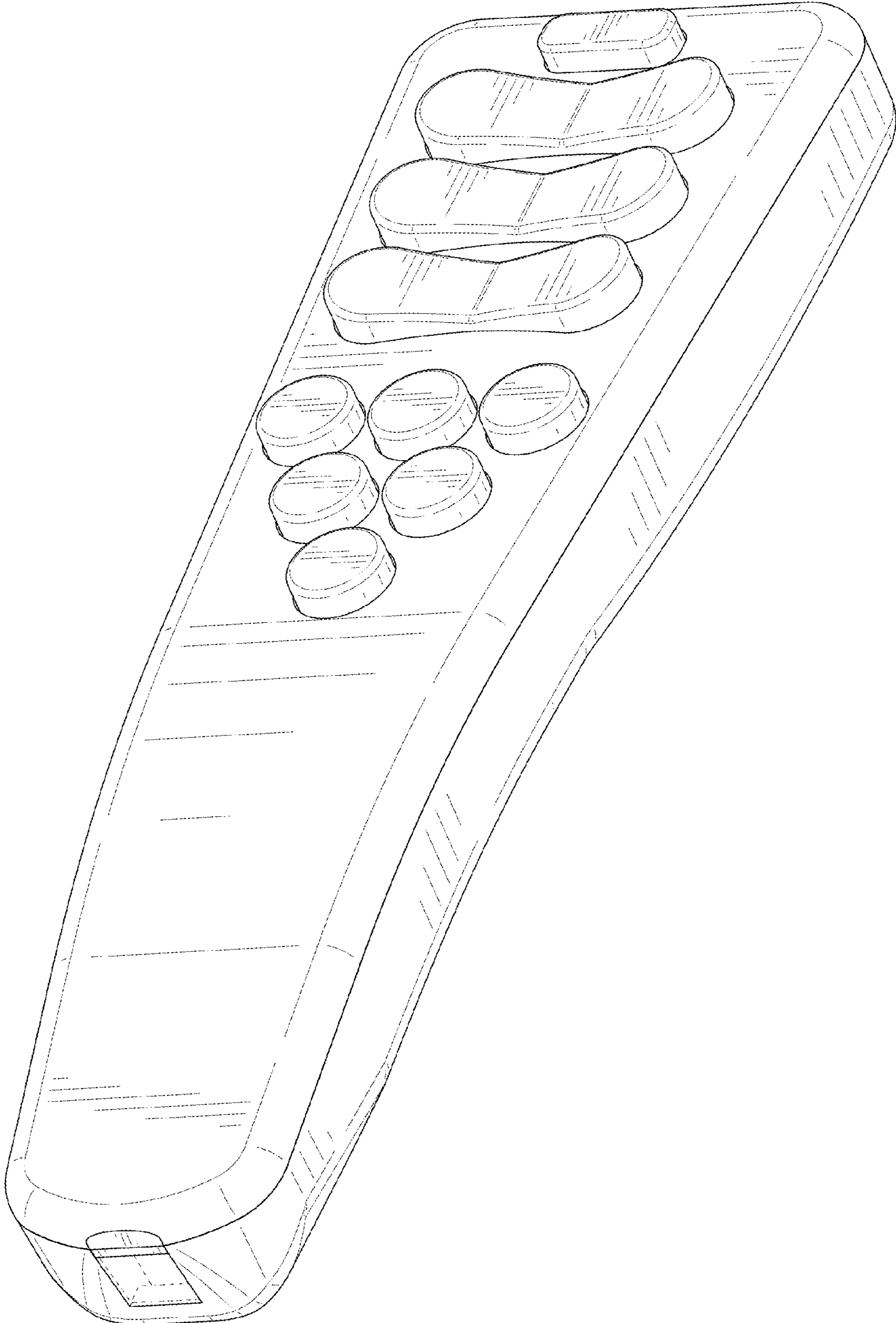


FIG. 1

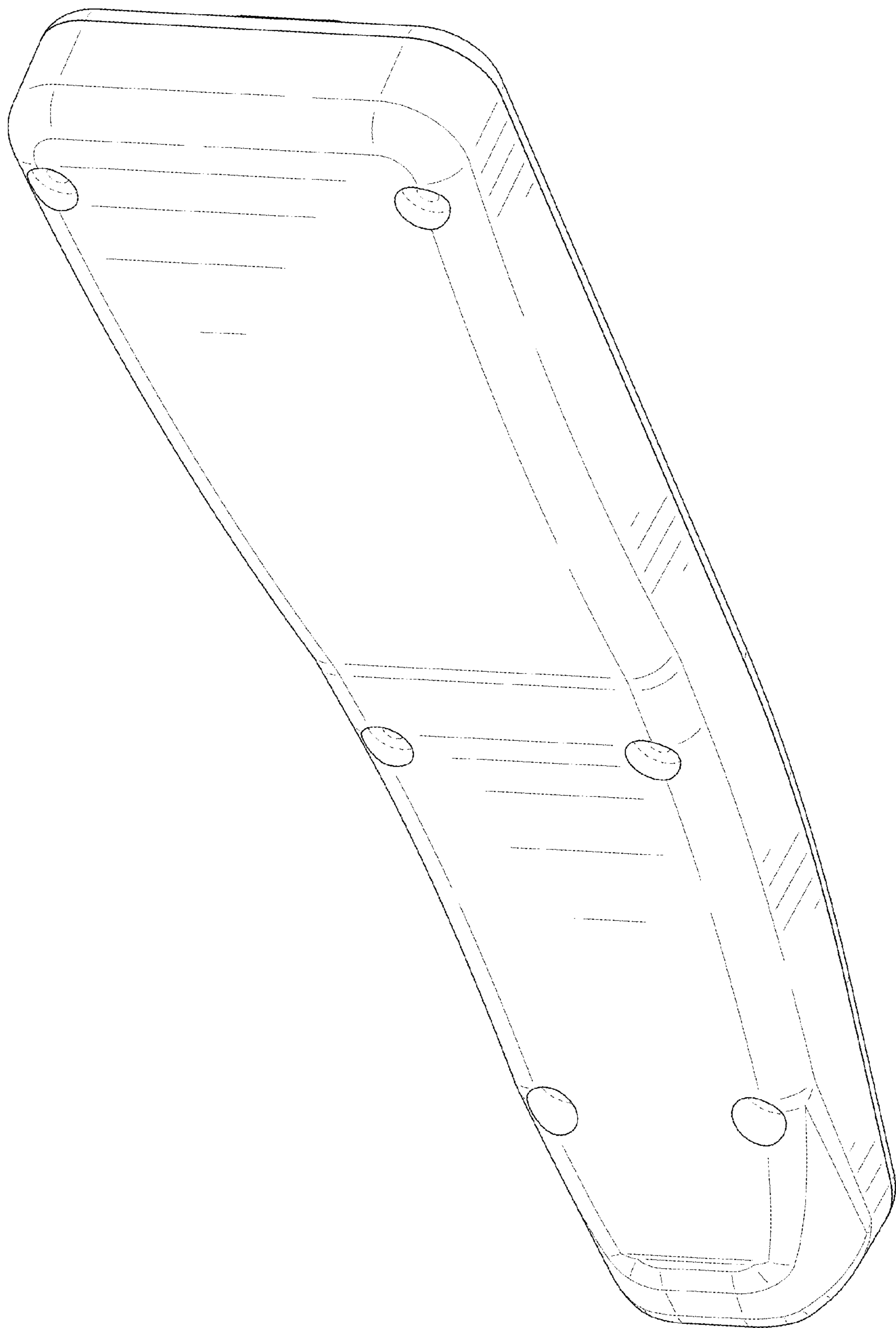


FIG. 2

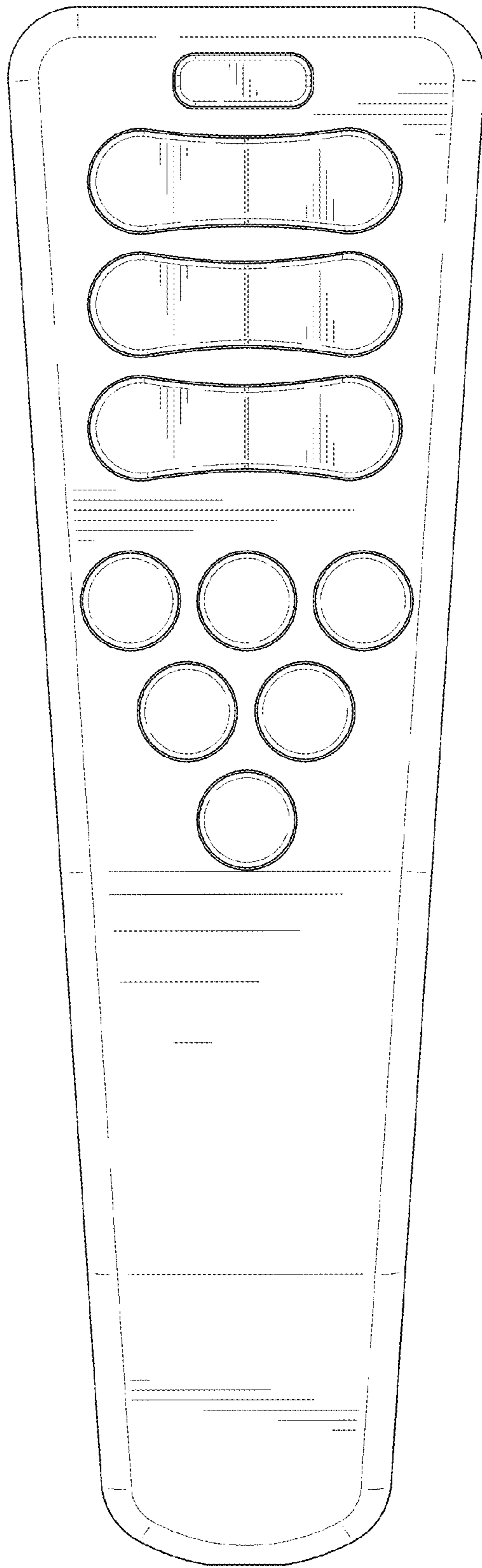


FIG. 3

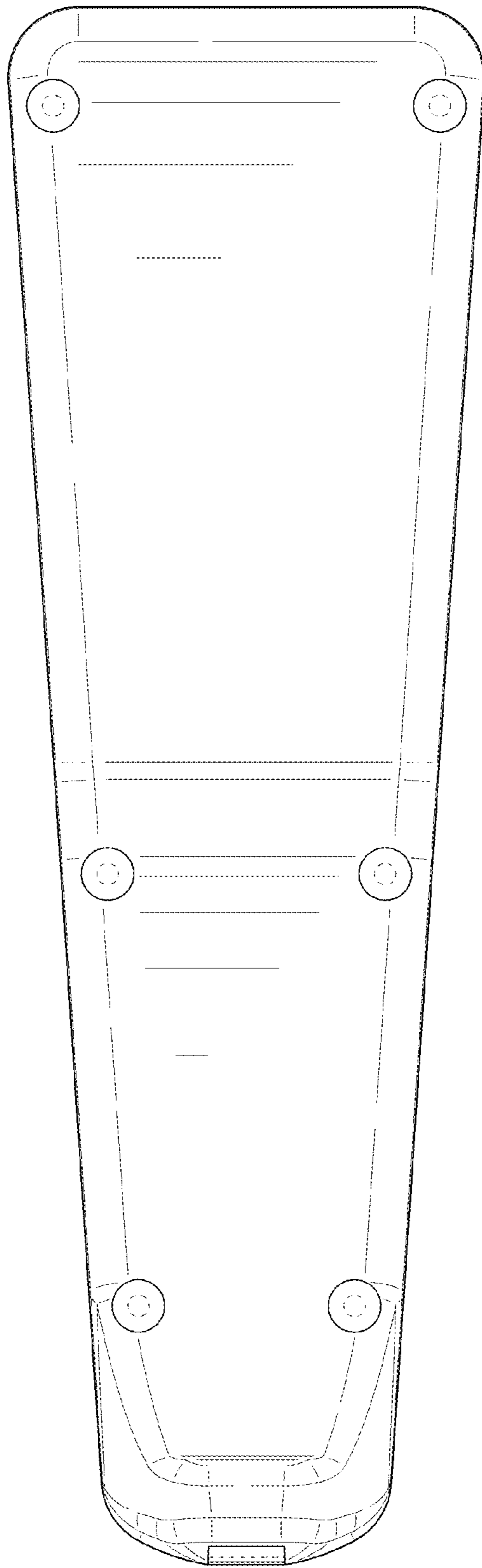


FIG. 4

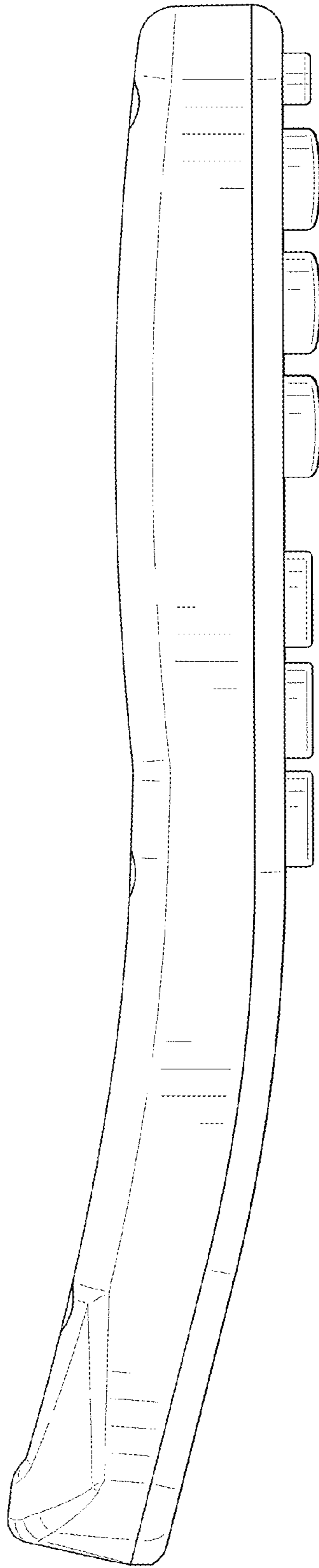


FIG. 5

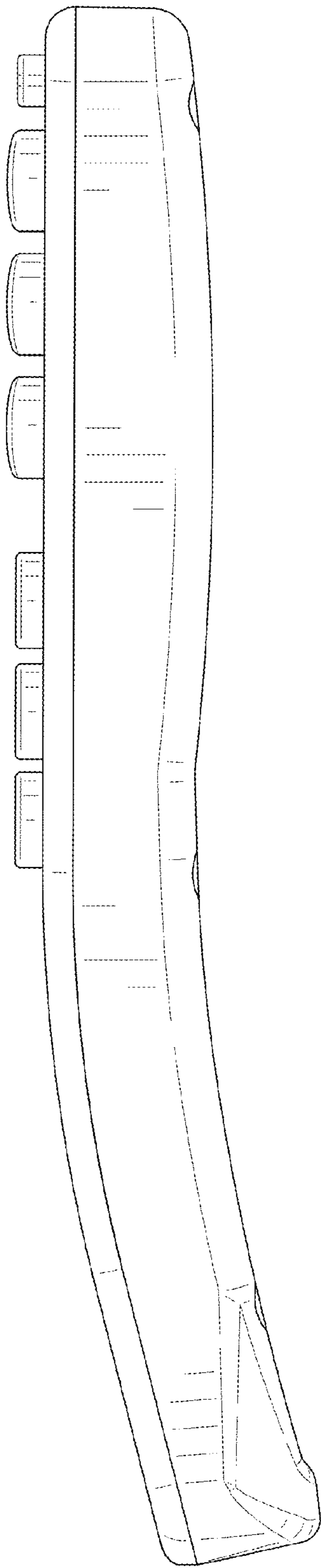


FIG. 6

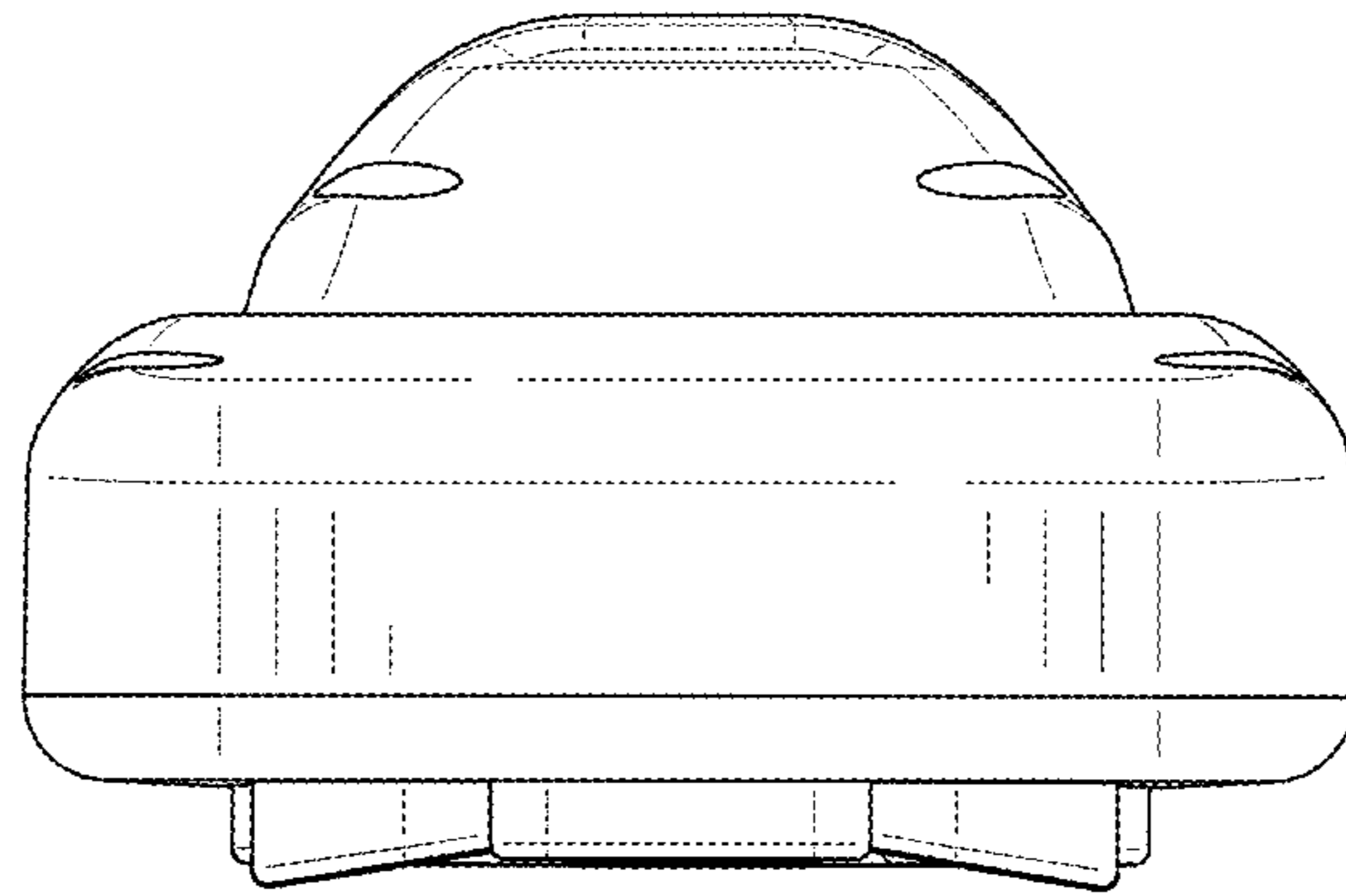


FIG. 7

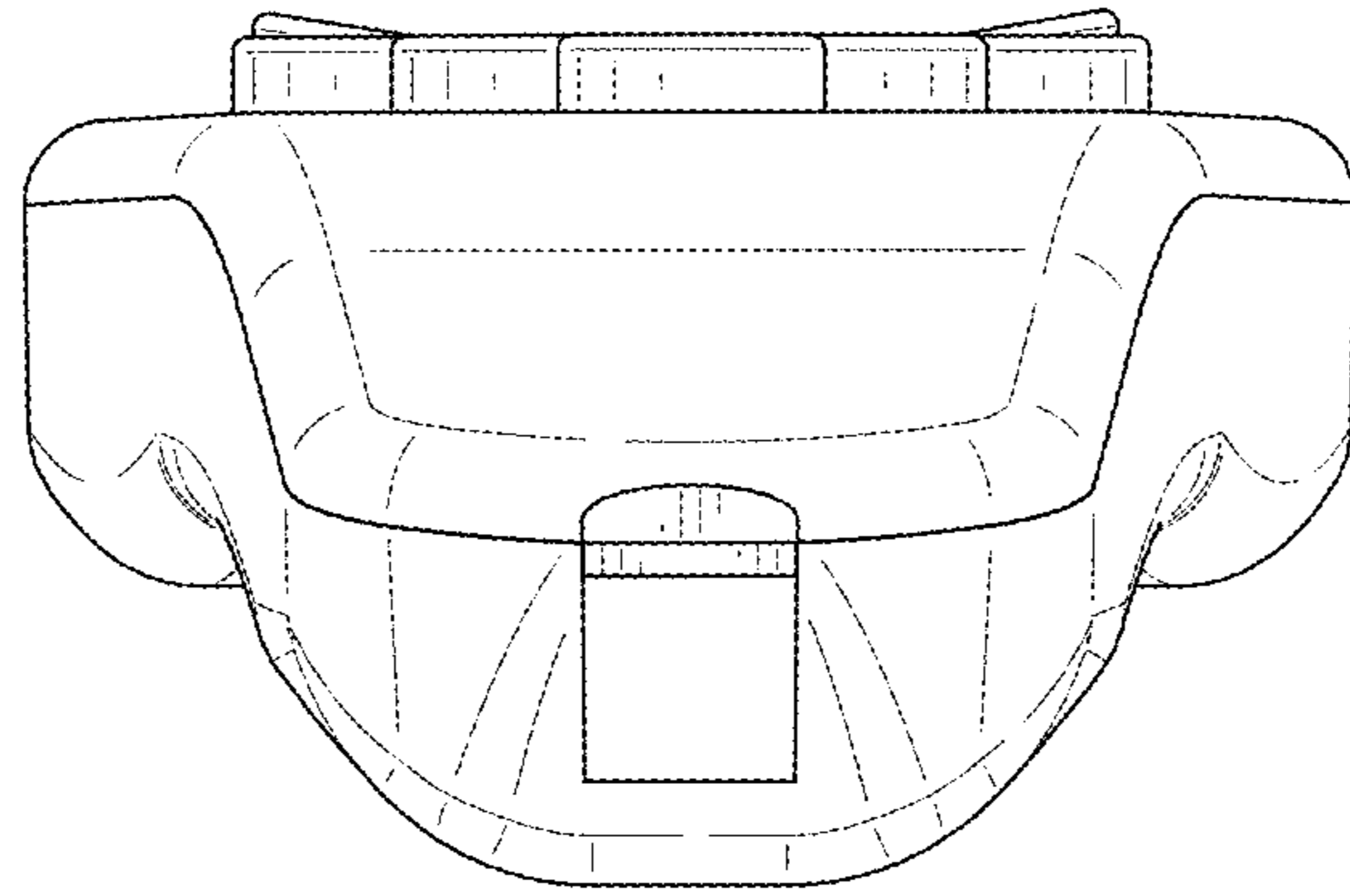


FIG. 8