



US00D921609S

(12) **United States Design Patent**
Brunner et al.

(10) **Patent No.:** **US D921,609 S**

(45) **Date of Patent:** **** Jun. 8, 2021**

(54) **AUDIO LISTENING SYSTEM**

(71) Applicant: **Apple Inc.**, Cupertino, CA (US)

(72) Inventors: **Robert Brunner**, Glen Ellen, CA (US);
Gregoire Vandebussche, San Francisco, CA (US); **Christopher Fruhauf**, San Anselmo, CA (US)

(73) Assignee: **Apple Inc.**, Cupertino, CA (US)

(**) Term: **15 Years**

(21) Appl. No.: **29/723,350**

(22) Filed: **Feb. 6, 2020**

Related U.S. Application Data

(60) Continuation of application No. 29/668,071, filed on Oct. 26, 2018, now Pat. No. Des. 876,389, which is a continuation of application No. 29/593,122, filed on Feb. 6, 2017, now Pat. No. Des. 832,233, which is a continuation of application No. 29/526,277, filed on May 7, 2015, now Pat. No. Des. 778,255, which is a continuation of application No. 29/488,470, filed on Apr. 18, 2014, now Pat. No. Des. 729,198, which is a division of application No. 29/475,634, filed on Dec. 4, 2013, now Pat. No. Des. 704,163, which is a continuation of application No. 29/417,832, filed on Apr. 9, 2012, now Pat. No. Des. 696,226, which is a

(Continued)

(51) **LOC (13) Cl.** **14-01**

(52) **U.S. Cl.**
USPC **D14/205**

(58) **Field of Classification Search**
USPC D14/205, 188, 192, 249; D29/112;
2/209; D28/41; 132/273; 381/380, 381,
381/374; 455/90.3, 575.1, 569.1
CPC H04R 25/00; H04R 25/02; H04R 1/10;
H04R 1/1016; H04R 1/1066; H04R
5/033; H04R 5/0335; H04R 1/1091;
A42B 3/16; A61F 11/14

See application file for complete search history.

(56) **References Cited**

U.S. PATENT DOCUMENTS

1,066,511 A 7/1913 Markoff
1,560,718 A * 11/1925 Nowosielski H04R 1/1066
381/377

(Continued)

FOREIGN PATENT DOCUMENTS

EM 007797287-0004 * 11/2019
GB 2072035 B 2/1984

(Continued)

OTHER PUBLICATIONS

Office Action dated Dec. 10, 2010 for Russian Patent Application No. 2010501890.

(Continued)

Primary Examiner — Paula Allen Greene
(74) *Attorney, Agent, or Firm* — Sterne, Kessler,
Goldstein & Fox P.L.L.C.

(57) **CLAIM**

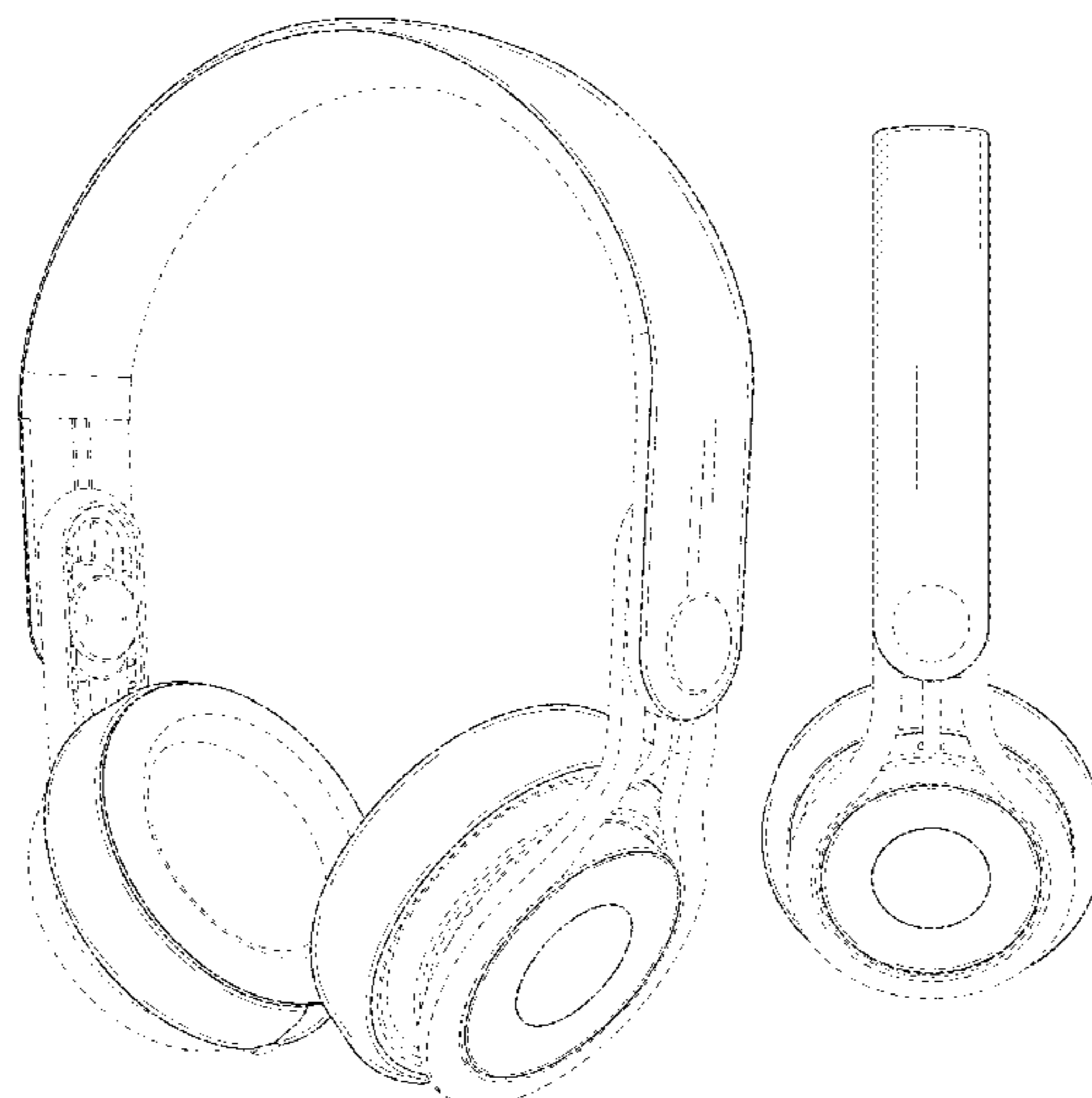
The ornamental design for an audio listening system, as shown and described.

DESCRIPTION

FIG. 1 is a front perspective view of an audio listening system showing the claimed design; FIG. 2 is a front view thereof; FIG. 3 is a right side view thereof; FIG. 4 is a left side view thereof; FIG. 5 is a rear view thereof; FIG. 6 is a top view thereof; and, FIG. 7 is a bottom view thereof.

The broken lines in the figures show portions of the audio listening system that form no part of the claimed design.

1 Claim, 4 Drawing Sheets



Related U.S. Application Data

division of application No. 29/382,418, filed on Jan. 3, 2011, now Pat. No. Des. 657,345.

(56)

References Cited

U.S. PATENT DOCUMENTS

1,606,165 A 11/1926 Glenn
 1,878,397 A * 9/1932 Hekler A45D 44/12
 2/174
 2,025,385 A 12/1935 Bertram et al.
 2,149,341 A 3/1939 Harrison
 2,273,136 A 2/1942 Orech et al.
 2,437,049 A 3/1948 Salisbury et al.
 2,481,387 A 9/1949 Bonecutter
 2,487,787 A 11/1949 Brown
 2,501,107 A * 3/1950 Volkmann H04R 5/0335
 381/378
 2,653,193 A 9/1953 Anderson
 2,689,909 A 9/1954 Dazley
 2,993,962 A 7/1961 Hothem
 3,104,398 A 9/1963 Palmaer
 3,211,160 A * 10/1965 Miller A45D 8/00
 132/275
 3,219,302 A 11/1965 Smith
 D203,677 S 2/1966 Spilman
 3,243,527 A * 3/1966 Sternheim H04R 1/12
 379/452
 3,245,547 A 4/1966 Felkay
 3,461,463 A 8/1969 Beguin
 3,488,457 A * 1/1970 Lahti H04R 1/1008
 381/371
 3,562,816 A * 2/1971 Hutchinson A61F 11/14
 2/209
 3,845,505 A 11/1974 Davison et al.
 3,943,574 A 3/1976 Yamaguchi et al.
 D244,300 S 5/1977 Besasie
 4,048,453 A 9/1977 Seidel
 D246,242 S 11/1977 Bellini
 4,069,512 A 1/1978 Palmaer
 4,173,715 A 11/1979 Gosman
 D254,183 S 2/1980 Doodson
 D254,876 S 5/1980 Reitenga
 4,209,264 A 6/1980 Hellberg
 4,437,538 A 3/1984 Ohlsson et al.
 4,571,746 A 2/1986 Gorike
 4,609,786 A 9/1986 Omoto et al.
 4,634,816 A 1/1987 O'Malley et al.
 4,875,233 A 10/1989 Derhaag
 D313,092 S 12/1990 Nilsson
 5,018,599 A 5/1991 Dohi et al.
 5,035,005 A 7/1991 Hung
 D328,074 S 7/1992 Yamazaki et al.
 D328,461 S 8/1992 Daido et al.
 D338,010 S 8/1993 Yamatogi
 D342,071 S 12/1993 Wright et al.
 D351,172 S 10/1994 Nakamura et al.
 D353,817 S 12/1994 Wada
 D353,821 S 12/1994 Hammer et al.
 D358,389 S 5/1995 Isono
 D375,825 S 11/1996 Whidden
 D403,128 S 12/1998 Scanlon et al.
 5,887,286 A * 3/1999 Waldron A61F 11/14
 181/129
 5,979,466 A * 11/1999 Chung A45D 8/36
 132/275
 6,016,574 A * 1/2000 Chen A42B 1/0188
 2/209
 D420,356 S 2/2000 Suzuki
 D422,592 S 4/2000 Deguchi
 D427,382 S 6/2000 Leight et al.
 6,081,604 A 6/2000 Hikichi et al.
 D430,140 S 8/2000 Roman
 6,141,894 A 11/2000 Thalenfeld et al.
 D435,249 S 12/2000 Yasutomi
 6,163,615 A 12/2000 Callahan

6,195,839 B1 3/2001 Patterson et al.
 D457,512 S 5/2002 Yoneda
 6,449,806 B1 9/2002 Engelhard et al.
 D468,723 S 1/2003 Pham
 6,611,963 B2 9/2003 Woo et al.
 D484,485 S 12/2003 Matsuoka
 6,654,966 B2 12/2003 Rolla et al.
 D484,868 S 1/2004 Suzuki
 6,678,897 B2 1/2004 Lindgren
 6,724,906 B2 4/2004 Naksen et al.
 D491,163 S 6/2004 Green
 D502,938 S 3/2005 Tokioka
 D504,883 S 5/2005 Jacobson et al.
 D512,381 S 12/2005 Sirichai et al.
 D512,708 S 12/2005 Harris, Jr. et al.
 D512,981 S 12/2005 Jacobson et al.
 D517,043 S 3/2006 Jacobson et al.
 D519,497 S 4/2006 Kamiyama
 7,072,483 B2 7/2006 Lenhard-Backhaus
 D532,407 S 11/2006 Motoishi
 D534,155 S 12/2006 Obata
 D534,156 S 12/2006 Obata
 7,172,052 B2 2/2007 Lenhard-Backhaus
 D539,267 S 3/2007 Komiyama
 D539,788 S 4/2007 Thompson
 D540,301 S 4/2007 Obata
 D540,303 S 4/2007 Rausch et al.
 D541,255 S 4/2007 Taylor
 D541,256 S 4/2007 Rausch et al.
 D541,257 S 4/2007 Thursfield
 D552,077 S 10/2007 Brunner et al.
 D557,684 S 12/2007 Pundsack
 D560,654 S 1/2008 Feng
 D563,382 S 3/2008 Wikel
 D563,995 S 3/2008 Deguchi et al.
 D570,825 S 6/2008 Schultz et al.
 D582,890 S 12/2008 Koza
 D584,715 S 1/2009 Brennwald
 D585,870 S 2/2009 Zheng
 D585,871 S 2/2009 Lee
 D585,872 S 2/2009 Lee
 D588,098 S 3/2009 Kurihara
 D588,100 S 3/2009 Densho
 D591,263 S 4/2009 Shimizu
 D592,182 S 5/2009 Sanguinetti
 D592,640 S 5/2009 Tkachuk
 D593,995 S 6/2009 Shimizu
 D600,674 S 9/2009 Brennwald
 D603,370 S 11/2009 Suzuki
 D603,371 S 11/2009 Boateng et al.
 D616,865 S 6/2010 Marchand
 D617,769 S 6/2010 Birger
 7,735,154 B2 6/2010 Gellis et al.
 D620,474 S 7/2010 Kamiyama
 D625,705 S 10/2010 Ohari et al.
 D632,668 S 2/2011 Brunner et al.
 D633,896 S 3/2011 Kondo
 D635,959 S 4/2011 Hutchieson
 D637,176 S 5/2011 Brunner et al.
 D637,998 S 5/2011 Brunner et al.
 D637,999 S 5/2011 Brunner et al.
 D638,000 S 5/2011 Hoggarth
 D639,776 S 6/2011 Arimoto
 D641,725 S 7/2011 Chong
 8,006,320 B1 * 8/2011 Rohbani A61F 11/14
 2/209
 D648,330 S 11/2011 Fischer
 D652,017 S 1/2012 Groves
 D652,405 S 1/2012 Lee
 D652,406 S 1/2012 Lee
 D654,471 S 2/2012 Fischer
 D654,472 S 2/2012 Fischer
 D657,344 S 4/2012 Brunner et al.
 D657,345 S 4/2012 Brunner et al.
 D657,776 S 4/2012 Lee et al.
 D658,158 S 4/2012 Suzuki
 D660,823 S 5/2012 Hardi et al.
 D660,824 S 5/2012 Hardi et al.
 D660,826 S 5/2012 Brunner et al.

(56)

References Cited

U.S. PATENT DOCUMENTS

D662,490 S 6/2012 McSweyn
 D663,716 S 7/2012 Hardi et al.
 D668,633 S 10/2012 Enquist
 D671,914 S 12/2012 Lee et al.
 D673,520 S 1/2013 Tan
 D674,767 S 1/2013 Brunner et al.
 D687,411 S * 8/2013 Lee D14/205
 D689,463 S 9/2013 Hardi et al.
 D695,263 S 12/2013 Mogili
 D696,226 S 12/2013 Brunner et al.
 D697,047 S 1/2014 Yoshida
 8,660,287 B2 2/2014 Stephenson
 D702,210 S 4/2014 Birger
 D704,163 S 5/2014 Brunner et al.
 D707,200 S 6/2014 Yang
 D709,860 S 7/2014 Brunner et al.
 D713,817 S 9/2014 Paterson et al.
 D716,760 S 11/2014 Brunner et al.
 D719,929 S * 12/2014 Rye D14/205
 D720,721 S 1/2015 Lu
 D722,590 S 2/2015 Lu
 D722,591 S 2/2015 Son et al.
 D724,560 S 3/2015 Galler
 D729,198 S 5/2015 Brunner
 9,084,055 B2 7/2015 Brunner et al.
 D760,687 S * 7/2016 Brunner D14/205
 D768,110 S 10/2016 Suzuki
 D778,255 S 2/2017 Brunner et al.
 D791,103 S * 7/2017 Brunner D14/205
 D791,733 S * 7/2017 Brunner D14/205
 D794,602 S * 8/2017 Riggs D14/205
 D796,474 S 9/2017 Treski et al.
 D811,364 S * 2/2018 Park D14/205
 D830,330 S 10/2018 Petersen
 D832,233 S 10/2018 Brunner et al.
 D833,071 S * 11/2018 Pennington D28/41
 D852,163 S * 6/2019 Nagamine D14/205
 D853,986 S 7/2019 Treski et al.
 D858,483 S * 9/2019 Hu D14/205
 D860,163 S * 9/2019 Xia D14/205
 D864,896 S 10/2019 Zhang
 10,469,939 B1 * 11/2019 Tikander H04R 1/2811
 D876,389 S 2/2020 Brunner et al.
 D877,114 S * 3/2020 Lindenberger D14/205
 D883,949 S * 5/2020 Hu D14/205
 D888,008 S * 6/2020 Yook D14/205
 D893,452 S * 8/2020 Yook D14/205

D899,401 S * 10/2020 Smiechowski D14/205
 D904,339 S * 12/2020 Wang D14/205
 2003/0182713 A1 10/2003 Rolla
 2004/0216946 A1 11/2004 Lenhard-Backhaus
 2005/0034218 A1 2/2005 LeGette et al.
 2005/0053255 A1 3/2005 Harris et al.
 2005/0226452 A1 10/2005 Amae et al.
 2006/0001307 A1 1/2006 Embach
 2006/0027245 A1 * 2/2006 Spector A45D 8/36
 132/273
 2006/0062417 A1 3/2006 Tachikawa
 2006/0104471 A1 5/2006 Tsunoda et al.
 2008/0056525 A1 3/2008 Fujiwara et al.
 2009/0220118 A1 9/2009 Meier et al.
 2010/0128884 A1 5/2010 Sapiejewski et al.
 2010/0284558 A1 11/2010 Kimura et al.
 2011/0206216 A1 8/2011 Brunner et al.
 2013/0034259 A1 * 2/2013 Xiong H04R 1/1058
 381/380
 2014/0211976 A1 7/2014 Brunner et al.
 2015/0063623 A1 * 3/2015 Yoshida H04R 1/10
 381/378
 2016/0106192 A1 * 4/2016 Swartz A45D 8/36
 132/275
 2016/0183656 A1 * 6/2016 Karam A41D 20/00
 132/275

FOREIGN PATENT DOCUMENTS

JP D1318386 S 5/1986
 JP D1406347 S 10/1987
 JP D1430542 S 3/1988
 KR 30-0476152 1/2008
 WO WO 2007103561 A2 9/2007
 WO WO 2012094176 A2 7/2012

OTHER PUBLICATIONS

Search Report dated Mar. 31, 2011 for Taiwan patent Application No. 099303306.
 Search Report and Written Opinion for PCT Application No. PCT/US11/67045 dated Sep. 27, 2012.
 Taiwan Office Action for Taiwan Application No. 101303990 dated Aug. 26, 2013.
 Taiwan Office Action for Taiwan Application No. 101301117 dated Aug. 26, 2013.
 Taiwan Office Action for Taiwan Application No. 102302000 dated Aug. 26, 2013.

* cited by examiner

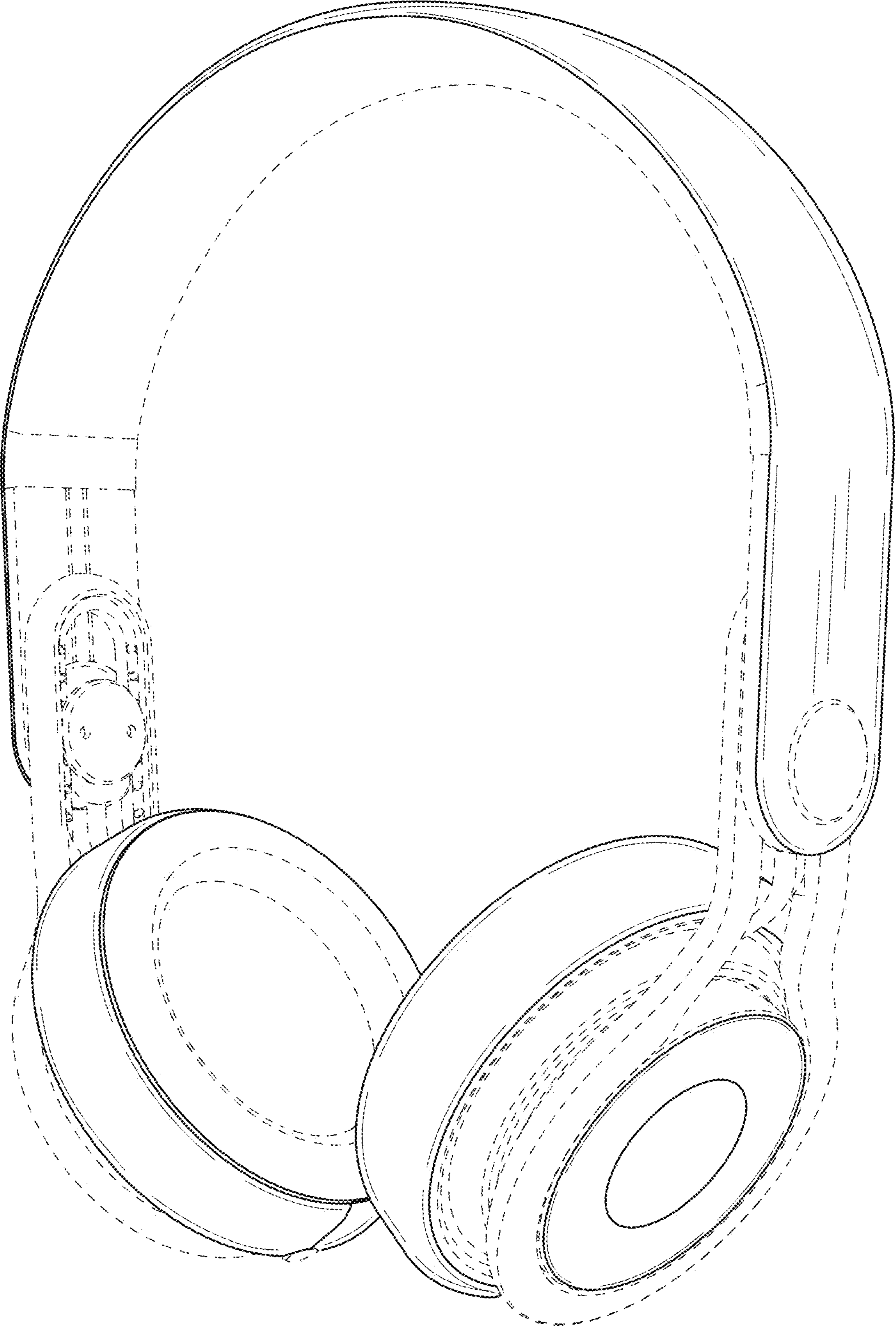


FIG. 1

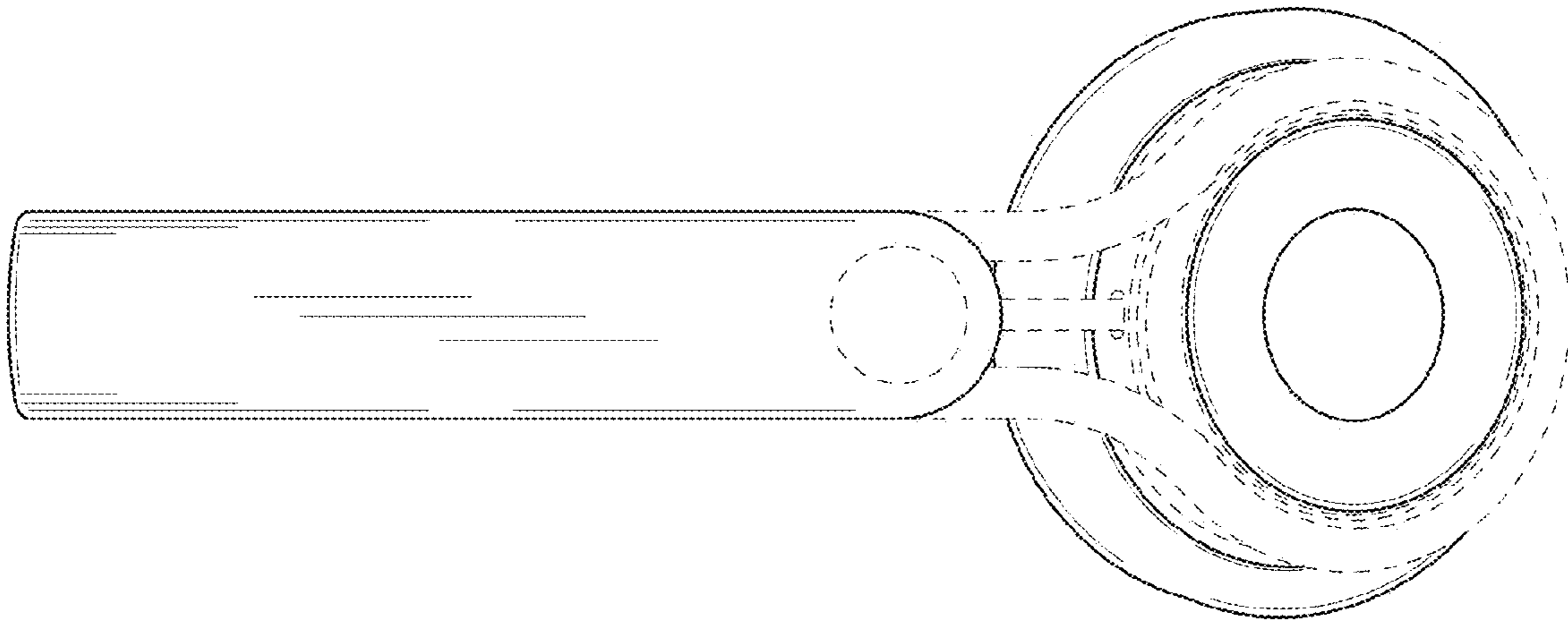


FIG. 3

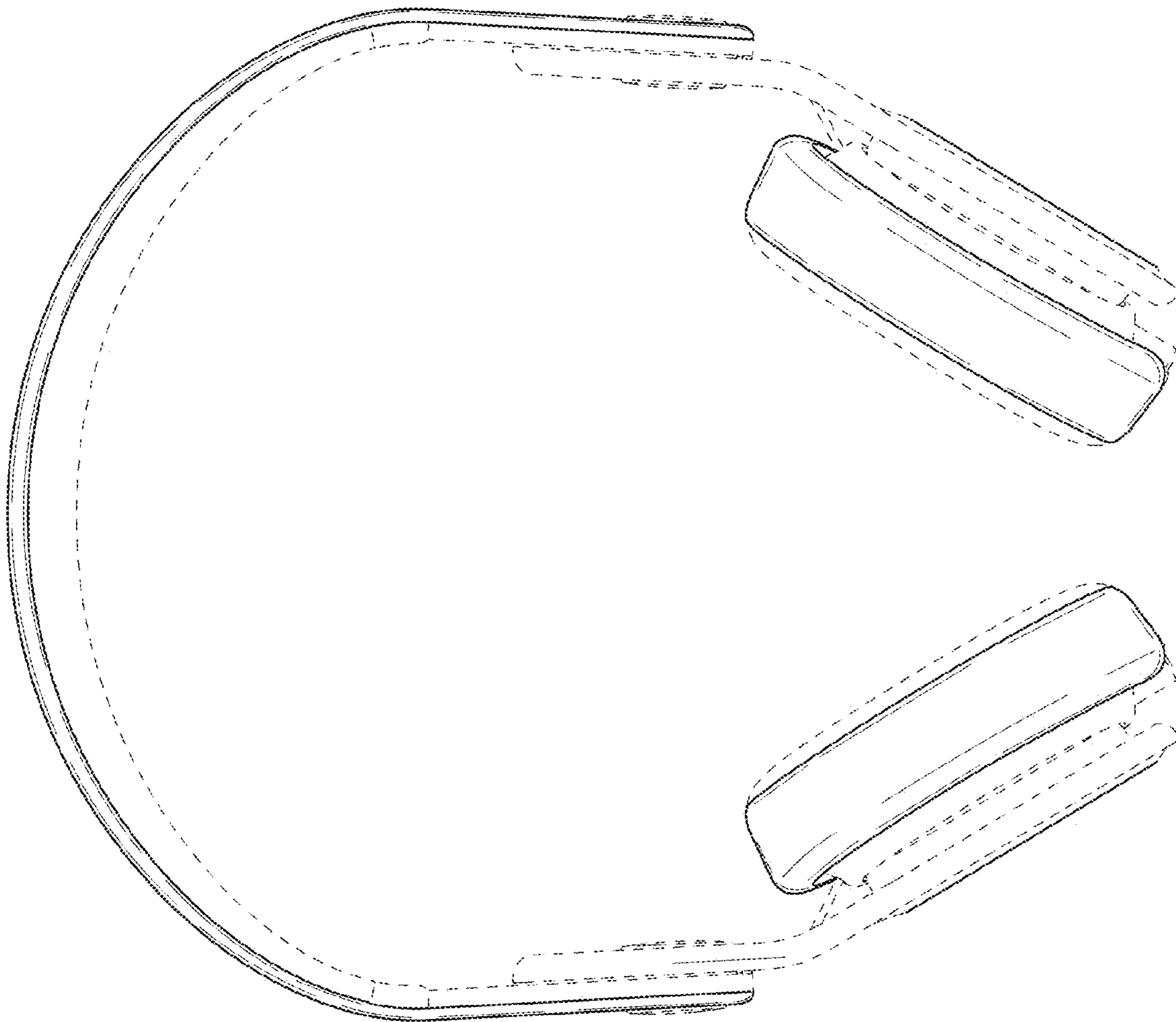


FIG. 2

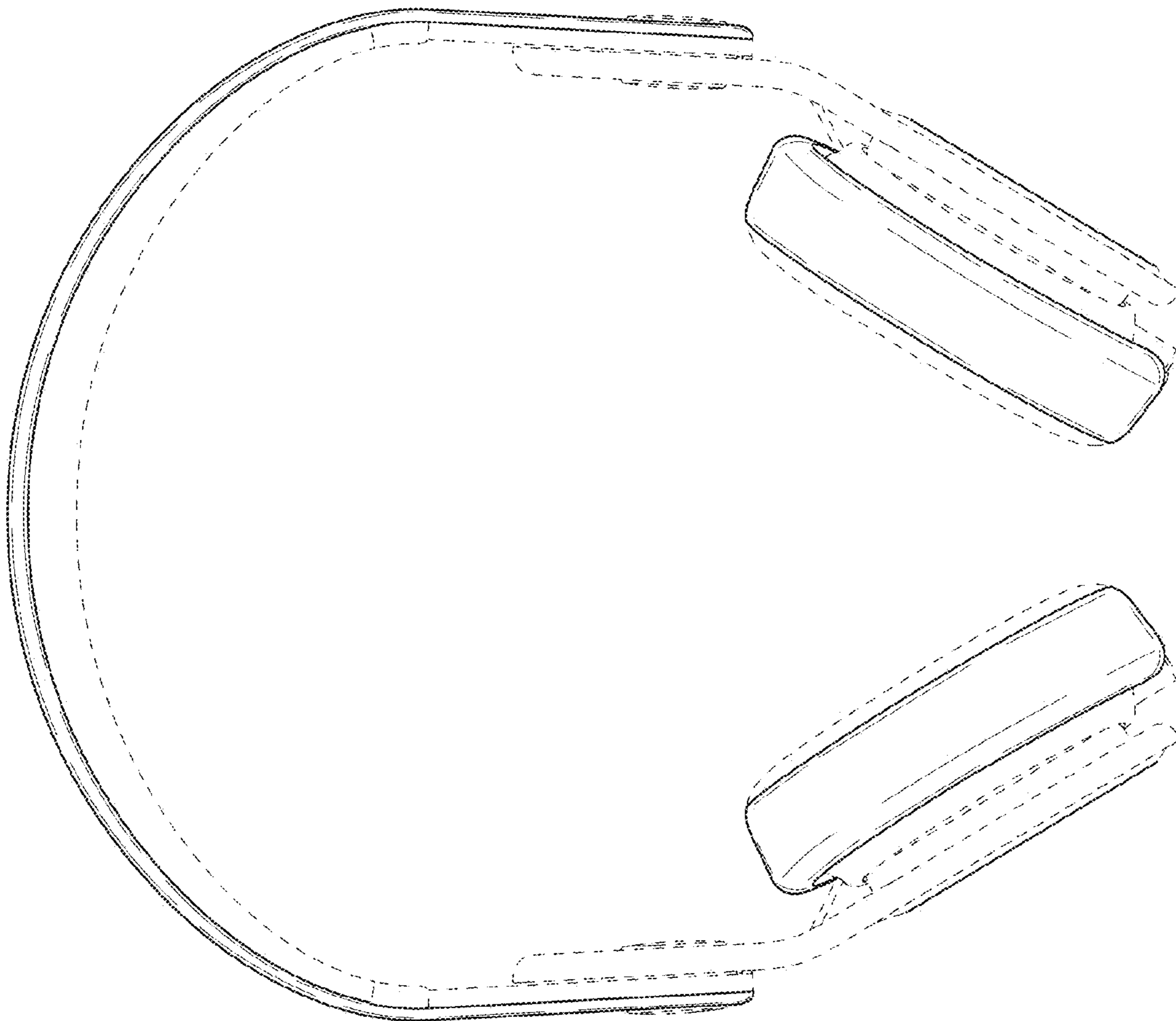


FIG. 5

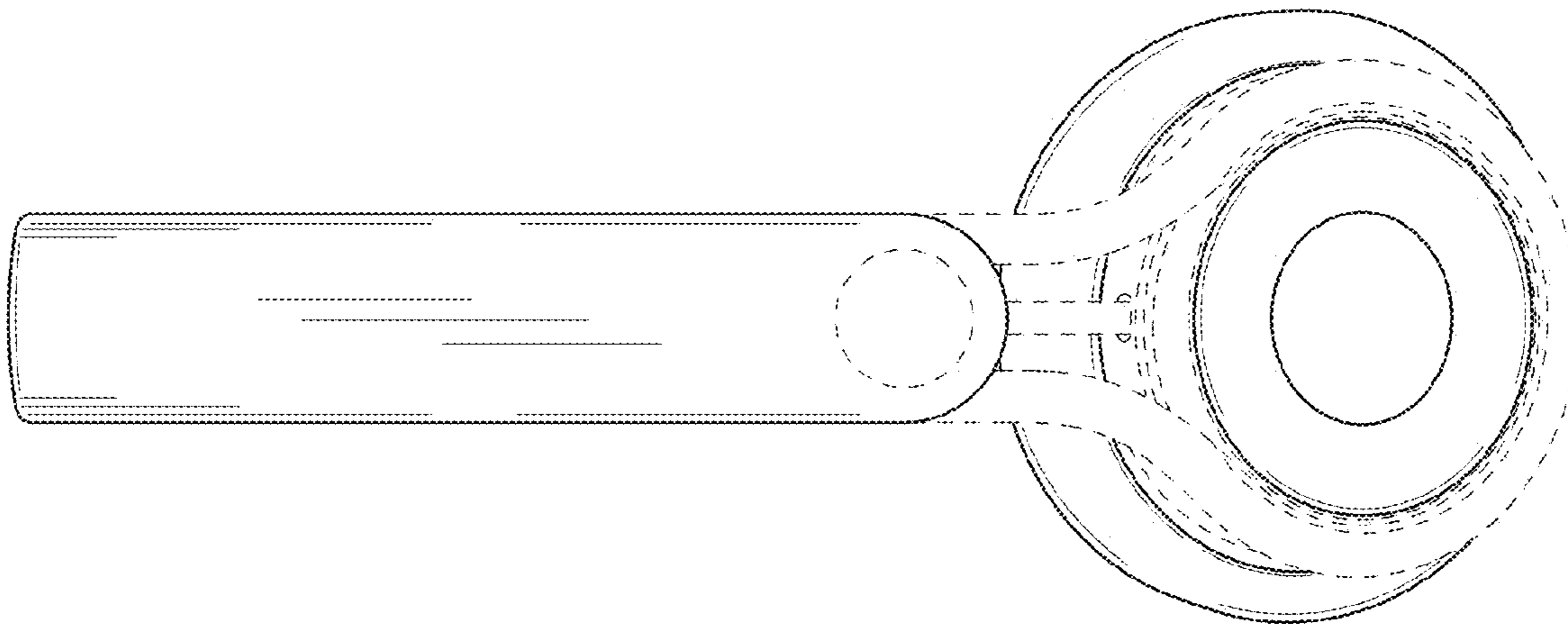


FIG. 4

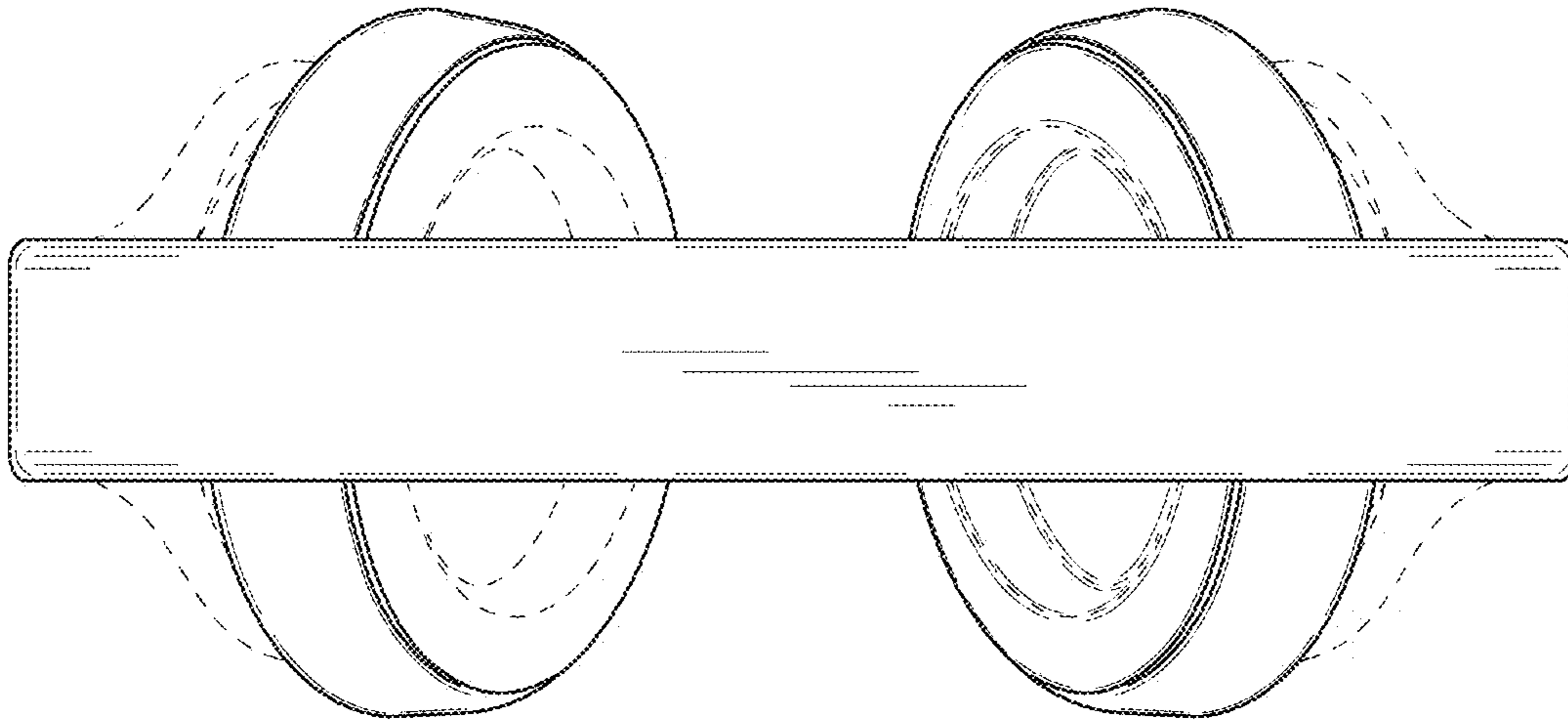


FIG. 6

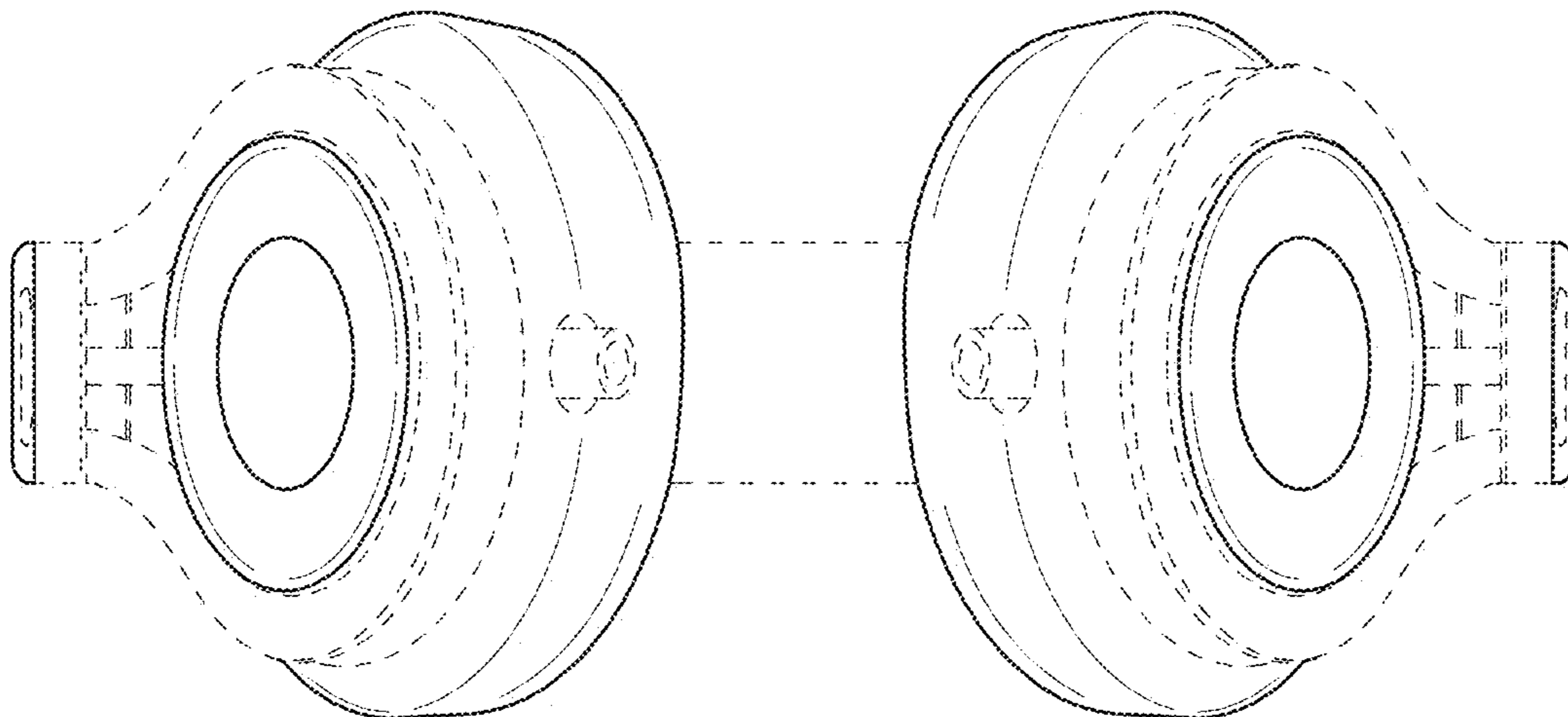


FIG. 7