



US00D921603S

(12) **United States Design Patent**  
**Zhou**

(10) **Patent No.:** **US D921,603 S**

(45) **Date of Patent:** **\*\* Jun. 8, 2021**

(54) **FM TRANSMITTER**

(71) Applicant: **SHENZHEN QIANHAI PATUOXUN NETWORK AND TECHNOLOGY CO., LTD**, Shenzhen (CN)

(72) Inventor: **Dechan Zhou**, Shenzhen (CN)

(73) Assignee: **SHENZHEN QIANHAI PATUOXUN NETWORK AND TECHNOLOGY CO., LTD**, Shenzhen (CN)

(\*\*) Term: **15 Years**

(21) Appl. No.: **29/759,746**

(22) Filed: **Nov. 25, 2020**

(51) **LOC (13) Cl.** ..... **14-03**

(52) **U.S. Cl.**  
USPC ..... **D14/155**

(58) **Field of Classification Search**  
USPC ..... D14/167, 154, 168, 188, 496, 156, 160, D14/161, 162, 163, 164, 165, 158, 341, D14/346, 342, 345, 137, 155, 218, 225; D16/208; D26/38; 455/351, 350; D10/104.1, 106, 65  
CPC .... H04B 1/385; H04M 1/6091; H04M 1/6066  
See application file for complete search history.

(56) **References Cited**

**U.S. PATENT DOCUMENTS**

D800,684 S 10/2017 Xiao  
D825,470 S \* 8/2018 Wang ..... D13/144

D871,363 S \* 12/2019 Tang ..... D14/155  
D873,233 S \* 1/2020 Du ..... D14/155  
D873,234 S \* 1/2020 Du ..... D14/155  
D897,982 S \* 10/2020 Du ..... D14/155  
D898,696 S \* 10/2020 Du ..... D14/155  
D898,697 S \* 10/2020 Du ..... D14/155  
D909,329 S \* 2/2021 Zhou ..... D14/155

\* cited by examiner

*Primary Examiner* — Austin Murphy

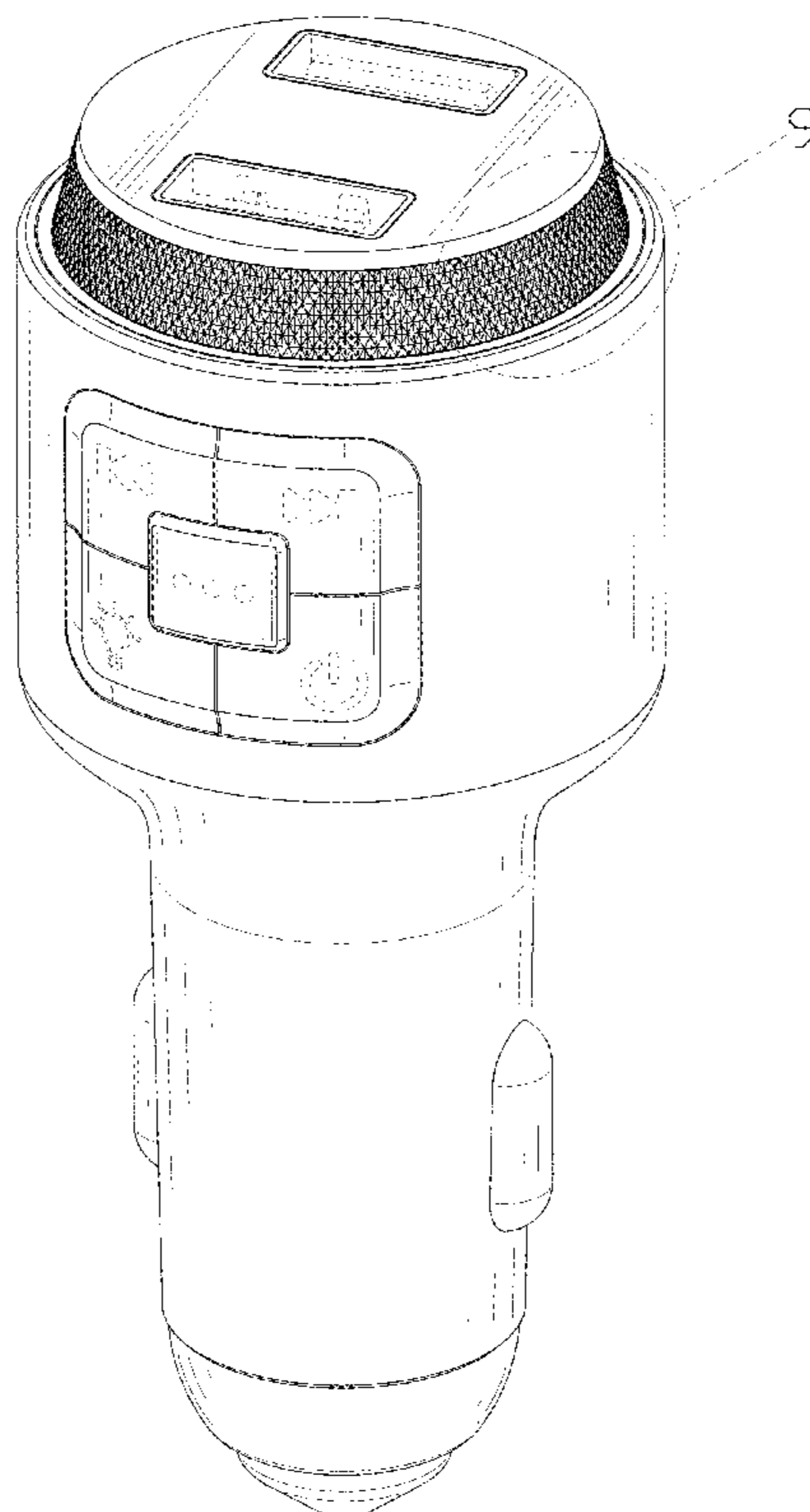
(57) **CLAIM**

The ornamental design for an FM transmitter, as shown and described.

**DESCRIPTION**

FIG. 1 is a perspective view of an FM transmitter showing my new design;  
FIG. 2 is another perspective view thereof;  
FIG. 3 is a front elevational view thereof;  
FIG. 4 is a rear elevational view thereof;  
FIG. 5 is a left side elevational view thereof;  
FIG. 6 is a right side elevational view thereof;  
FIG. 7 is a top plan view thereof;  
FIG. 8 is a bottom plan view thereof; and,  
FIG. 9 is an enlarged view of portion 9 shown in FIG. 1.  
The broken lines in the drawings depict portions of the FM transmitter that form no part of the claimed design.

**1 Claim, 9 Drawing Sheets**



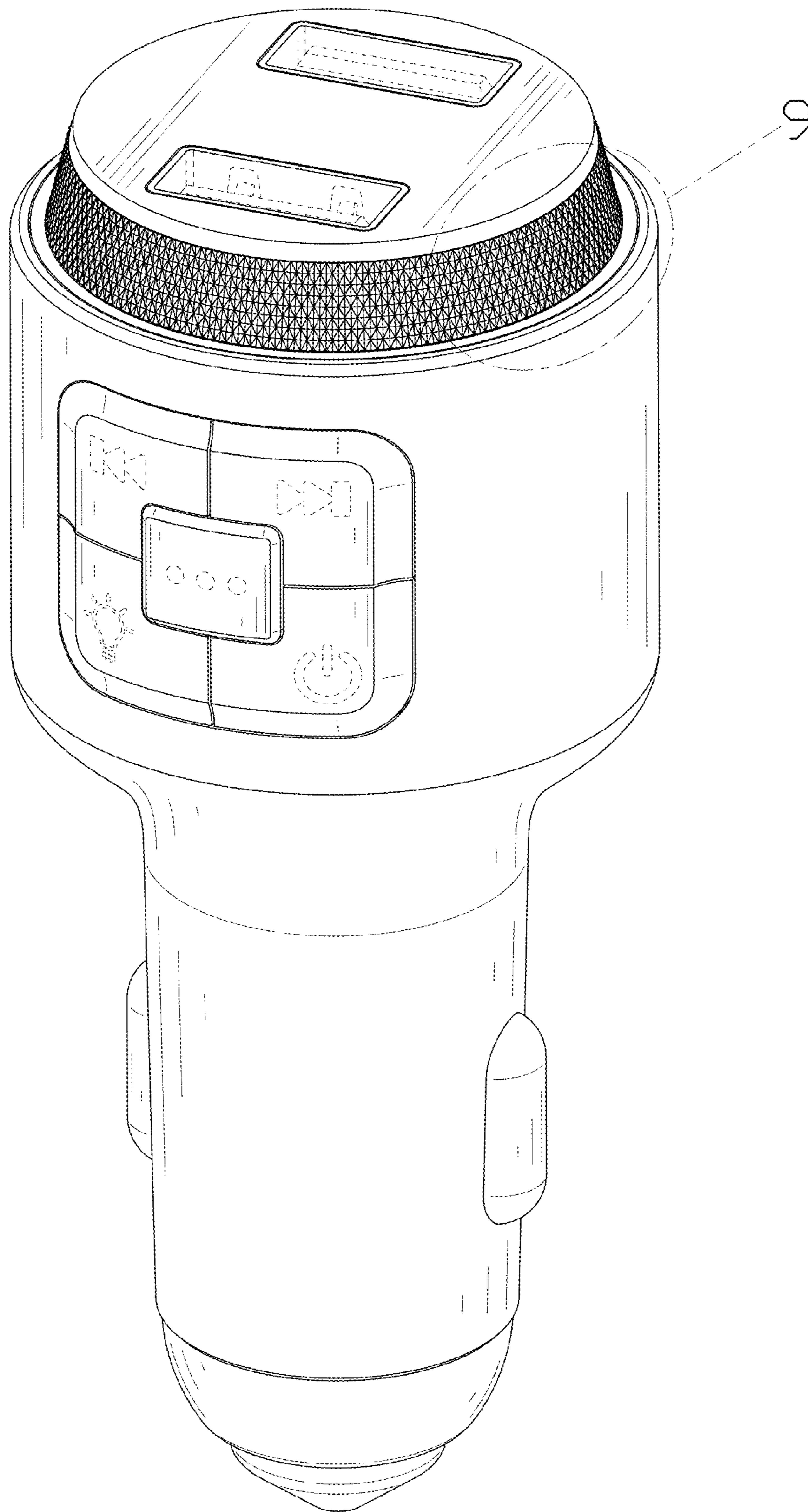


FIG. 1

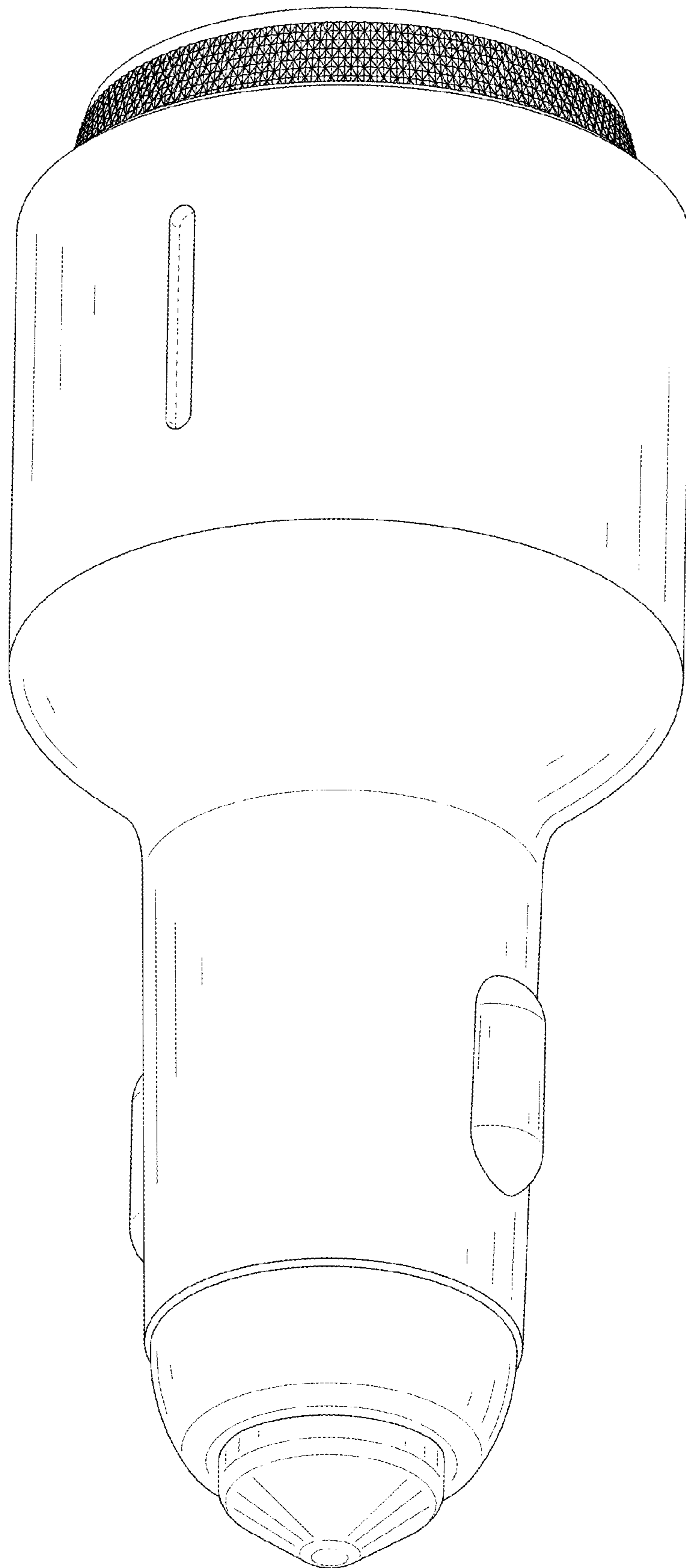


FIG. 2

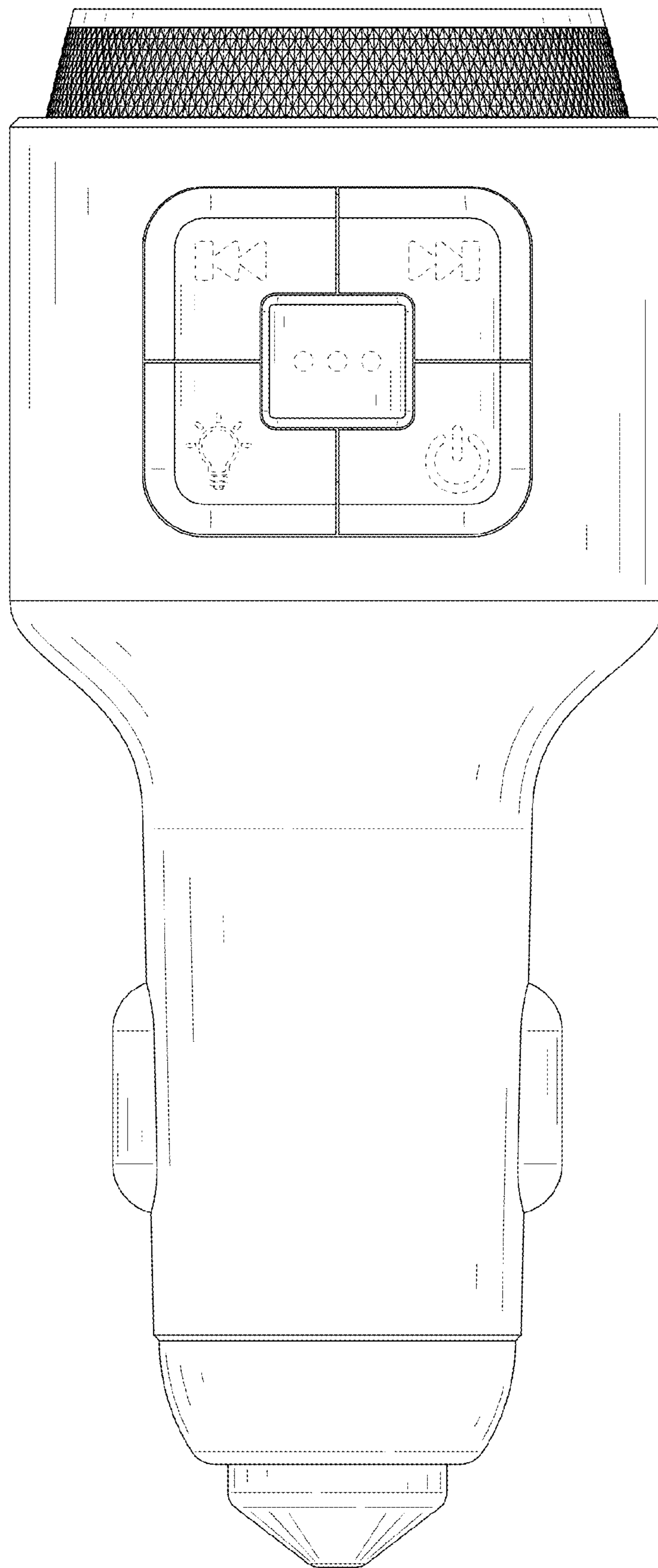


FIG. 3



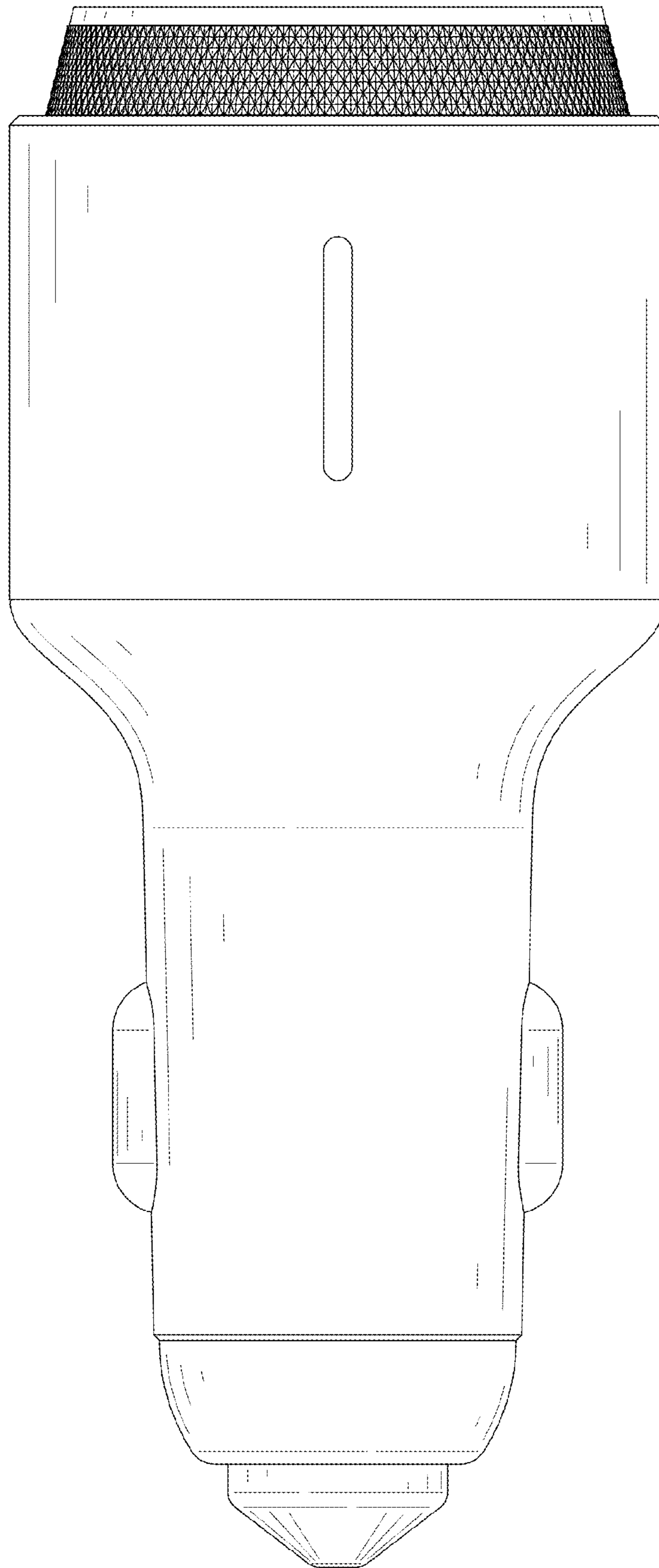


FIG. 4

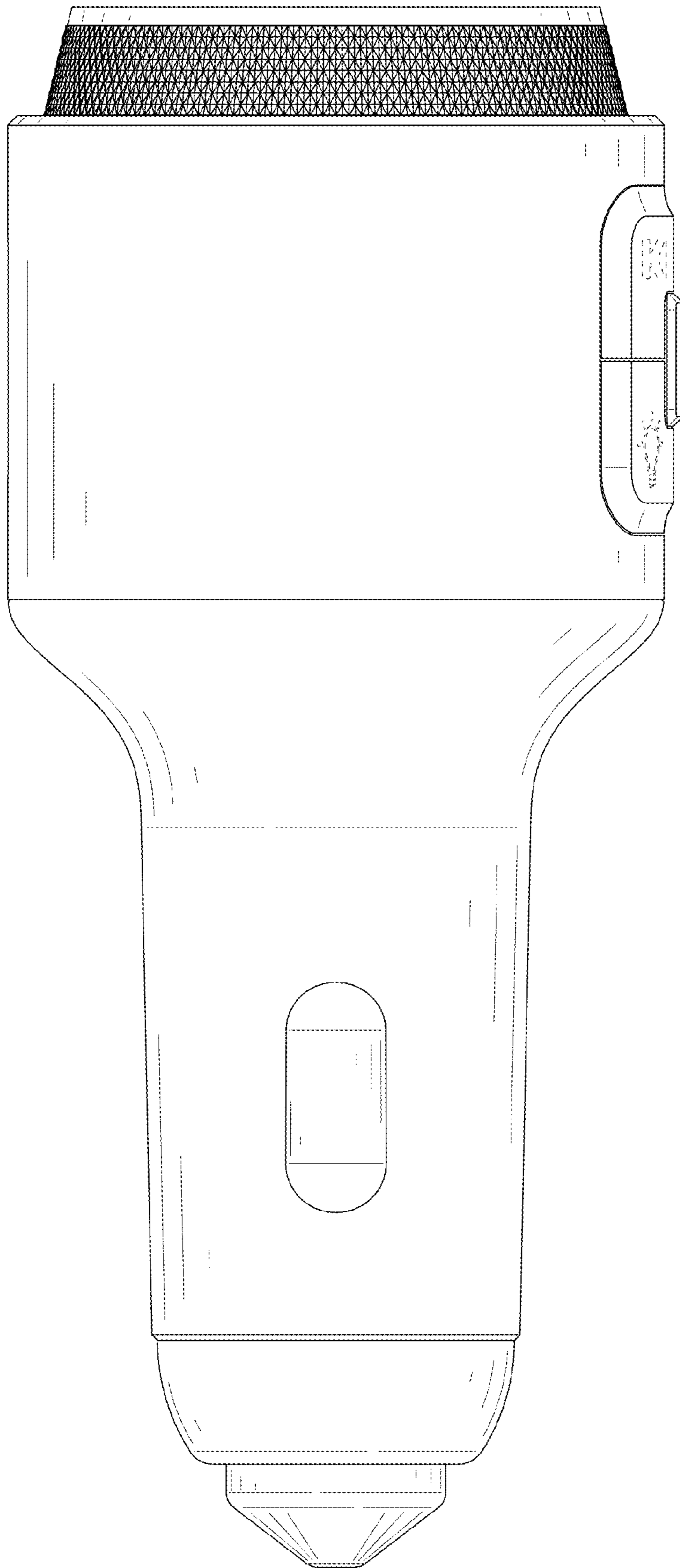


FIG. 5

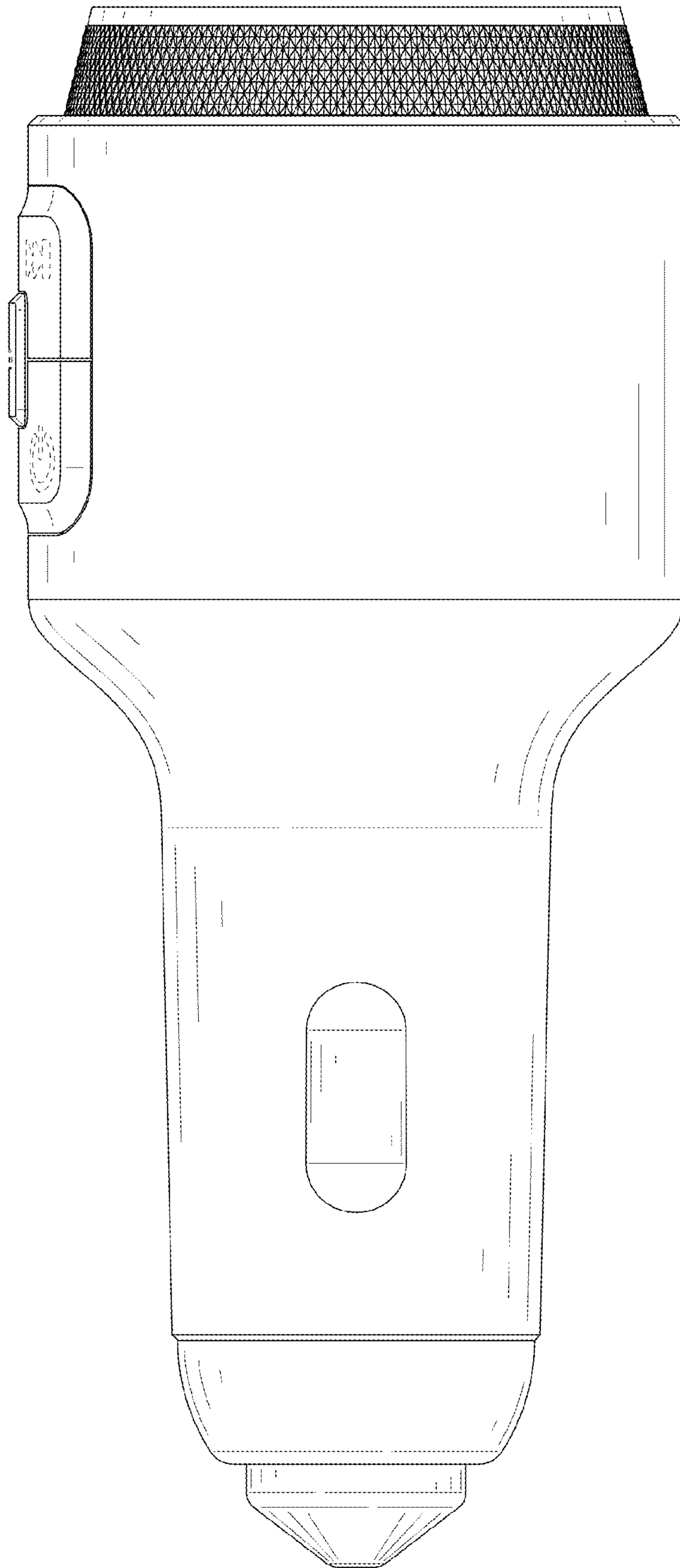


FIG. 6

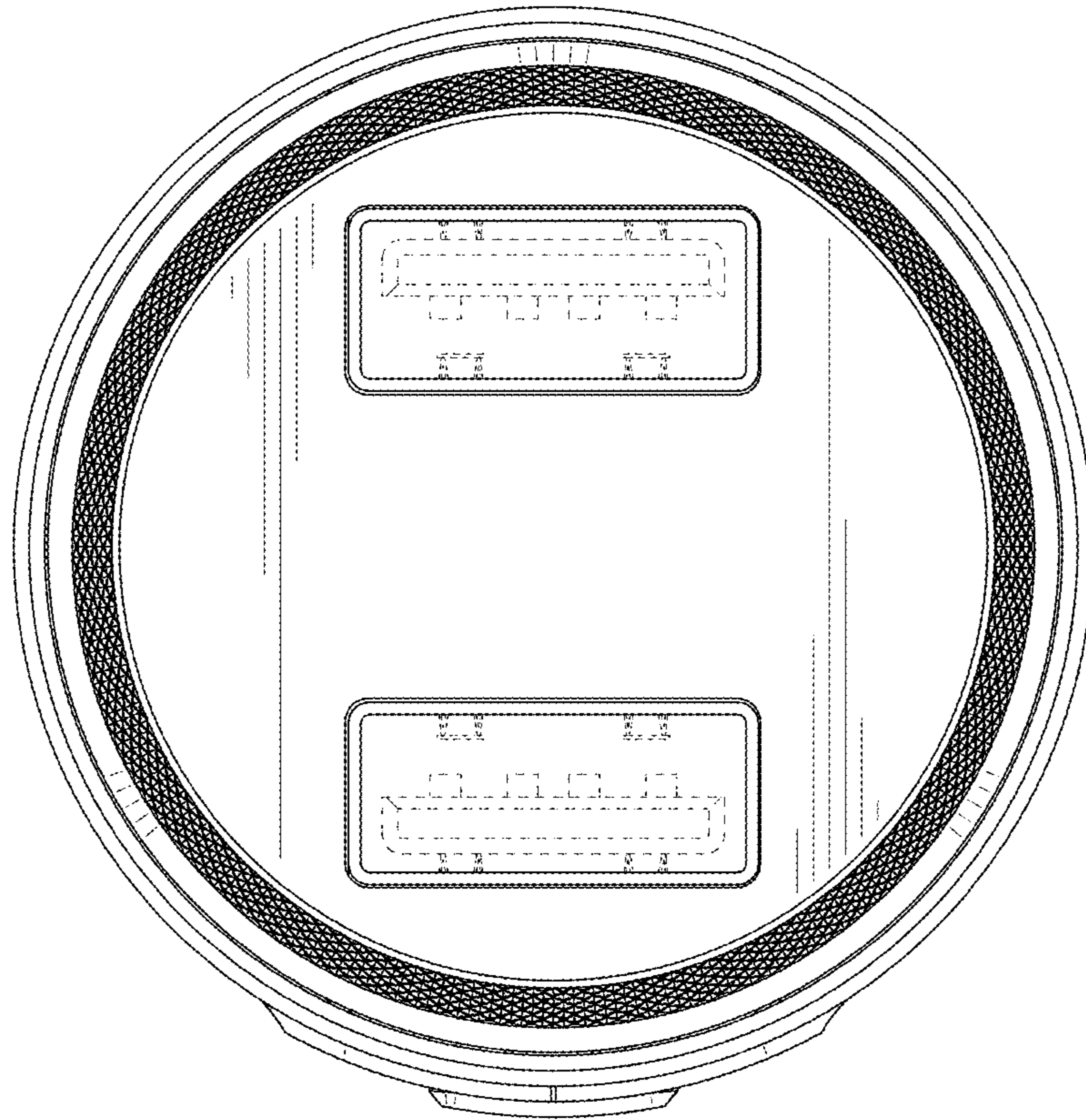


FIG. 7



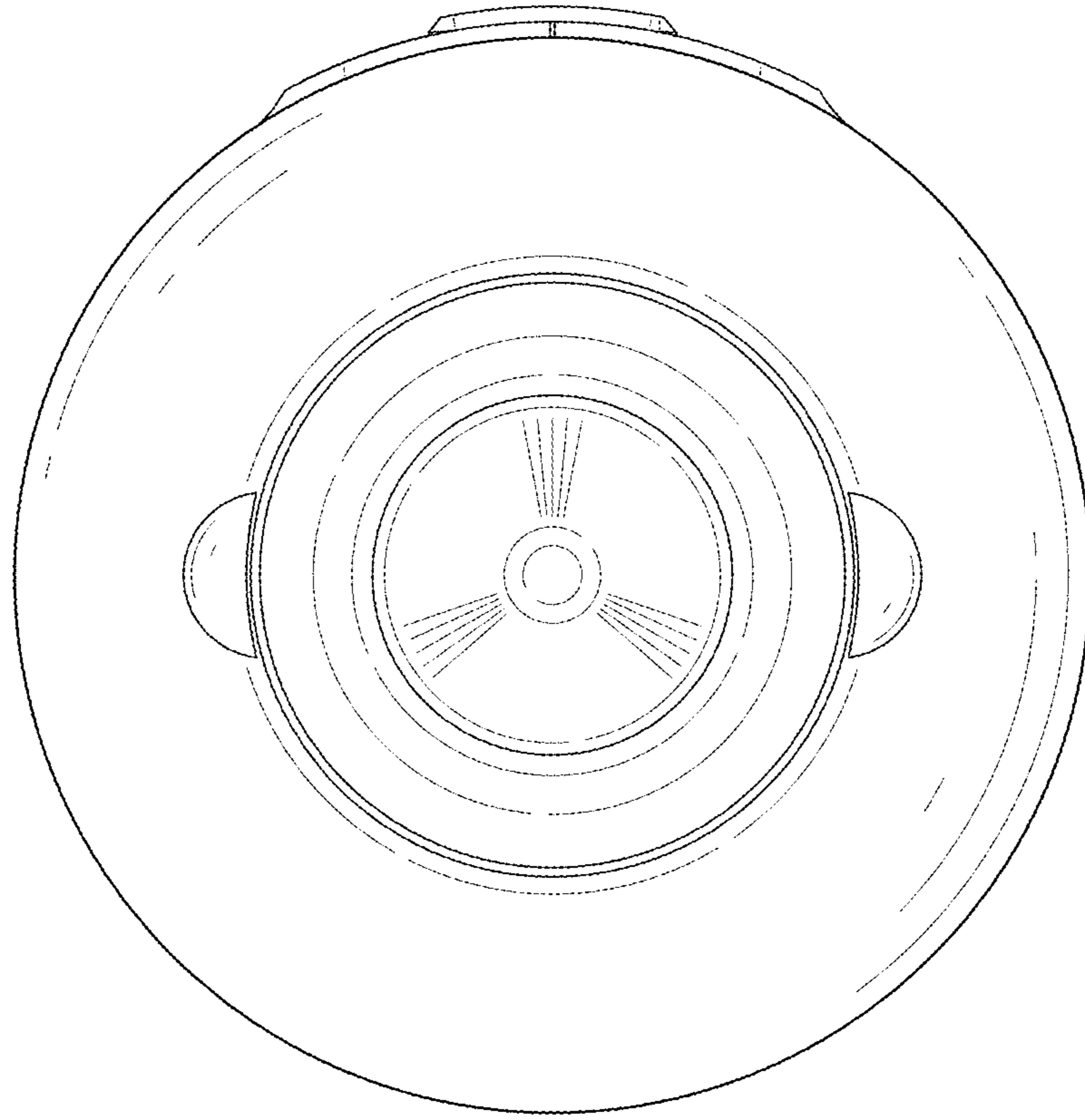


FIG. 8

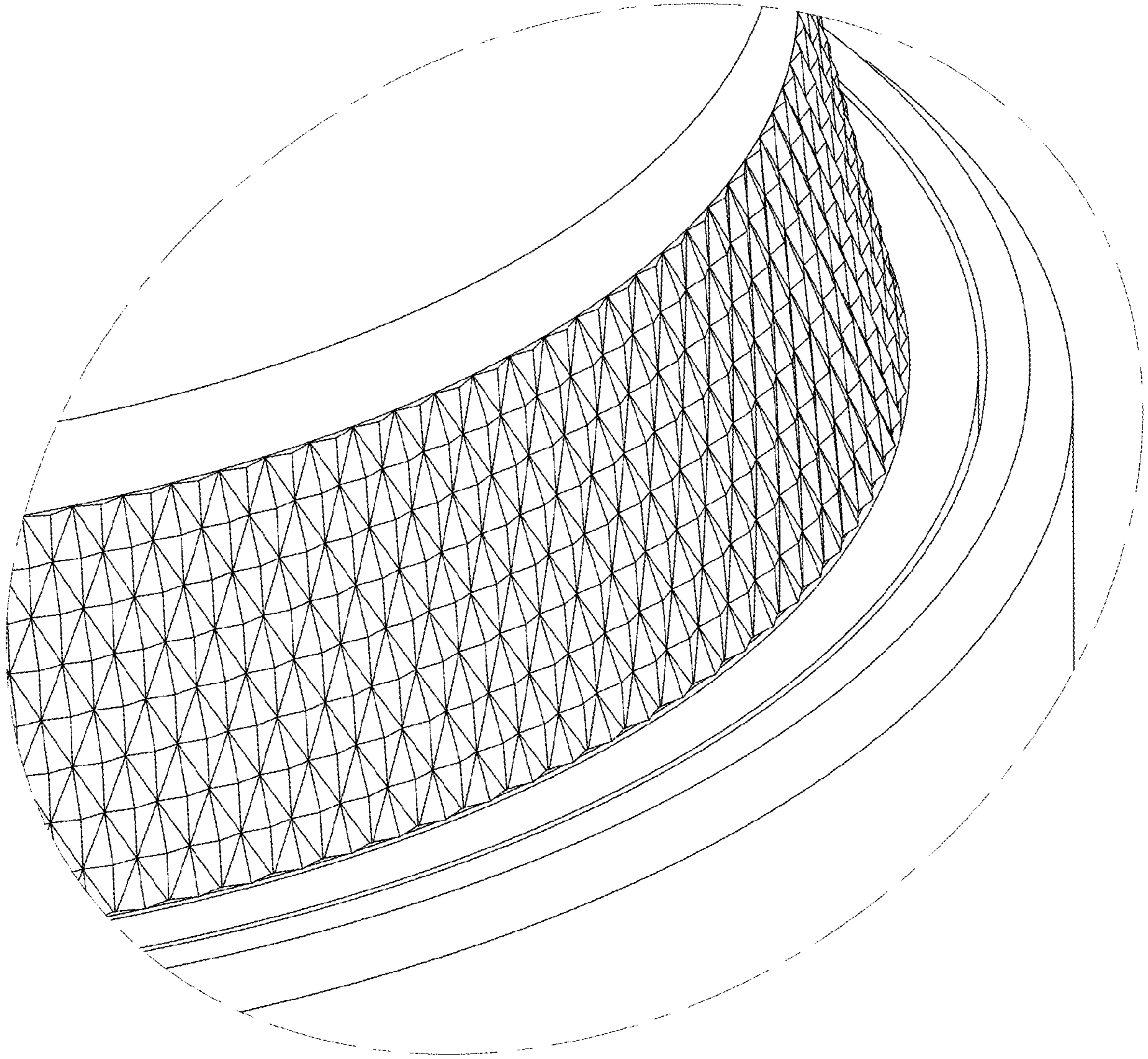


FIG. 9