



US00D921599S

(12) **United States Design Patent**  
**Staab**

(10) **Patent No.:** **US D921,599 S**

(45) **Date of Patent:** **\*\* Jun. 8, 2021**

(54) **COMPACT BRUSH**

(71) Applicant: **Mary Kay Inc.**, Addison, TX (US)

(72) Inventor: **Jenny DeMarco Staab**, Addison, TX (US)

(73) Assignee: **Mary Kay Inc.**, Addison, TX (US)

(\*\*) Term: **15 Years**

(21) Appl. No.: **29/656,835**

(22) Filed: **Jul. 17, 2018**

(51) **LOC (13) Cl.** ..... **04-02**

(52) **U.S. Cl.**  
USPC ..... **D14/135**

(58) **Field of Classification Search**  
USPC ..... D4/121, 127, 135, 138; 15/106, 159.1, 15/160, 176.1, 184, 190-194; 132/289,  
(Continued)

(56) **References Cited**

**U.S. PATENT DOCUMENTS**

D30,616 S \* 4/1899 Bentzinger ..... D4/135  
D147,406 S \* 9/1947 Goeller ..... D4/121  
(Continued)

**FOREIGN PATENT DOCUMENTS**

CN 302699019 1/2014  
EM 03332311-0004 8/2016  
(Continued)

*Primary Examiner* — Austin Murphy

(74) *Attorney, Agent, or Firm* — Norton Rose Fulbright  
US LLP

(57) **CLAIM**

The ornamental design for a compact brush, as shown and described.

**DESCRIPTION**

FIG. 1 is a top perspective view of a first embodiment of a compact brush;

FIG. 2 is a front view of the compact brush shown in FIG. 1;

FIG. 3 is a back view of the compact brush shown in FIG. 1;

FIG. 4 is a right side view of the compact brush shown in FIG. 1;

FIG. 5 is a left side view of the compact brush shown in FIG. 1;

FIG. 6 is a top view of the compact brush shown in FIG. 1;

FIG. 7 is a bottom view of the compact brush shown in FIG. 1;

FIG. 8 is a bottom perspective view of the compact brush shown in FIG. 1;

FIG. 9 is a top perspective view of a second embodiment of a compact brush;

FIG. 10 is a front view of the compact brush shown in FIG. 9;

FIG. 11 is a back view of the compact brush shown in FIG. 9;

FIG. 12 is a right side view of the compact brush shown in FIG. 9;

FIG. 13 is a left side view of the compact brush shown in FIG. 9;

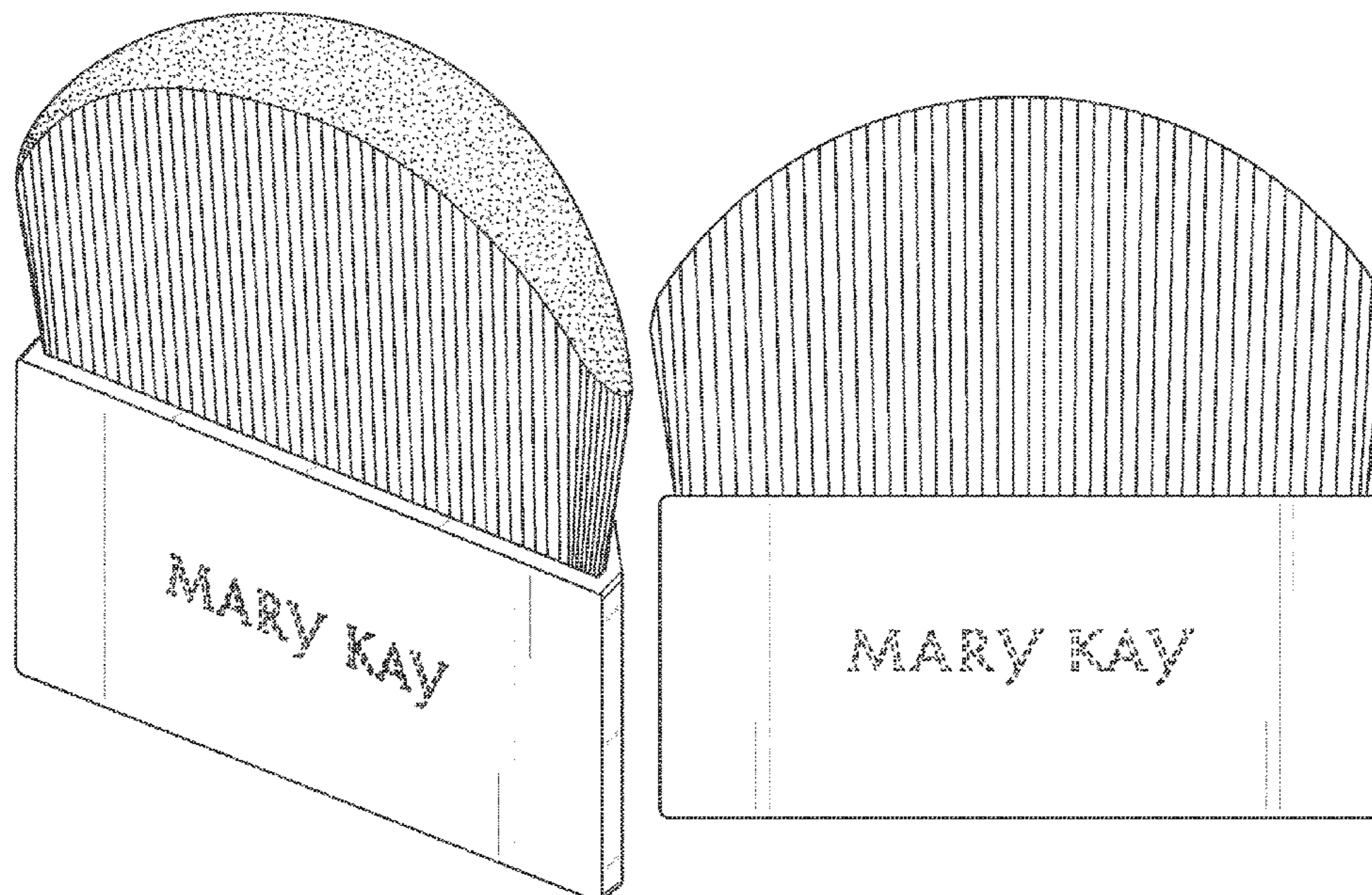
FIG. 14 is a top view of the compact brush shown in FIG. 9;

FIG. 15 is a bottom view of the compact brush shown in FIG. 9; and,

FIG. 16 is a bottom perspective view of the compact brush shown in FIG. 9.

The dashed lines in FIGS. 1-2, 4-5, 7, 9-16, and 25-32 are included for the purpose of illustrating portions of the compact brush that form no part of the claimed design.

**1 Claim, 12 Drawing Sheets**



(58) **Field of Classification Search**  
 USPC ..... 132/294, 298, 313, 317, 320; 401/123,  
 401/141, 175, 281  
 CPC ..... A46B 7/026; A46B 5/005; A46B 17/04;  
 A46B 2200/1046  
 See application file for complete search history.

(56) **References Cited**  
 U.S. PATENT DOCUMENTS

D183,913 S \* 11/1958 Brands ..... D4/135  
 D292,349 S 10/1987 Roberts et al.  
 D305,964 S 2/1990 Hurwitz  
 D311,455 S 10/1990 Snipes  
 D365,210 S 12/1995 Bell et al.  
 D376,049 S 12/1996 Harris et al.  
 D421,846 S 3/2000 Choe  
 D423,791 S 5/2000 Lacy  
 D448,934 S 10/2001 Barnette et al.  
 D450,189 S 11/2001 Mink et al.  
 D479,918 S 9/2003 Mink  
 D497,259 S 10/2004 Lion et al.  
 D505,269 S 5/2005 Cheung  
 D507,407 S 7/2005 Woods  
 D521,243 S 5/2006 Olsson et al.  
 D524,057 S 7/2006 Wong  
 D527,531 S 9/2006 Fruin  
 D536,530 S 2/2007 Peterson  
 D564,232 S 3/2008 Schulz  
 D584,897 S 1/2009 Belley  
 D588,819 S \* 3/2009 Kwapis ..... D4/135  
 D600,453 S \* 9/2009 Kwapis ..... D4/135  
 D625,522 S 10/2010 Riaz  
 D632,083 S 2/2011 Vilain et al.  
 D632,089 S 2/2011 Limongi  
 D637,006 S 5/2011 Marsden et al.  
 D646,899 S 10/2011 Dombrowski et al.  
 8,185,998 B2 5/2012 Xu  
 D673,373 S 1/2013 Sherman et al.  
 D694,019 S 11/2013 Simard  
 D706,542 S \* 6/2014 Lavigne ..... D4/135  
 D714,558 S 10/2014 Mink  
 D717,548 S 11/2014 Lim  
 D739,148 S 9/2015 Lim  
 D749,858 S 2/2016 Snook

D749,859 S 2/2016 Snook  
 D751,824 S 3/2016 Childs  
 D757,447 S 5/2016 White  
 D762,988 S 8/2016 Xavier et al.  
 D765,421 S \* 9/2016 Cole ..... D4/135  
 D766,586 S 9/2016 Hwang  
 D766,587 S 9/2016 Hwang  
 D767,903 S 10/2016 Lim  
 D768,998 S 10/2016 Kim et al.  
 D781,592 S 3/2017 Kaicker et al.  
 D782,199 S 3/2017 Hwang  
 D782,201 S 3/2017 Hwang  
 D782,202 S 3/2017 Machiorlette et al.  
 D783,291 S 4/2017 Lin  
 D787,191 S 5/2017 Hwang  
 D787,193 S 5/2017 Hwang  
 D788,471 S 6/2017 Dunaway  
 D789,695 S 6/2017 Jain  
 D790,226 S 6/2017 Grant et al.  
 D791,488 S 7/2017 Jain  
 D798,604 S 10/2017 Hwang  
 D801,057 S 10/2017 Xavier et al.  
 D801,058 S 10/2017 Xavier et al.  
 D802,307 S 11/2017 Peterson  
 D802,936 S \* 11/2017 Nicoline ..... D4/135  
 D802,937 S \* 11/2017 Nicoline ..... D4/135  
 D802,938 S 11/2017 Nicoline  
 D805,788 S 12/2017 Eilmus  
 D813,451 S 3/2018 Grund et al.  
 D825,193 S \* 8/2018 Nicoline ..... D4/135  
 D837,531 S \* 1/2019 Hirokawa ..... D4/135  
 D859,001 S \* 9/2019 Nicoline ..... D4/135

FOREIGN PATENT DOCUMENTS

EM 03332311-0005 8/2016  
 EM 04049740-0001 6/2017  
 EM 04049740-0002 6/2017  
 EM 04049740-0003 6/2017  
 EM 04049740-0004 6/2017  
 EM 04049740-0005 6/2017  
 EM 04049740-0006 6/2017  
 EM 04127355-0001 7/2017  
 KR 300942057 1/2018  
 KR 300953093 4/2018

\* cited by examiner

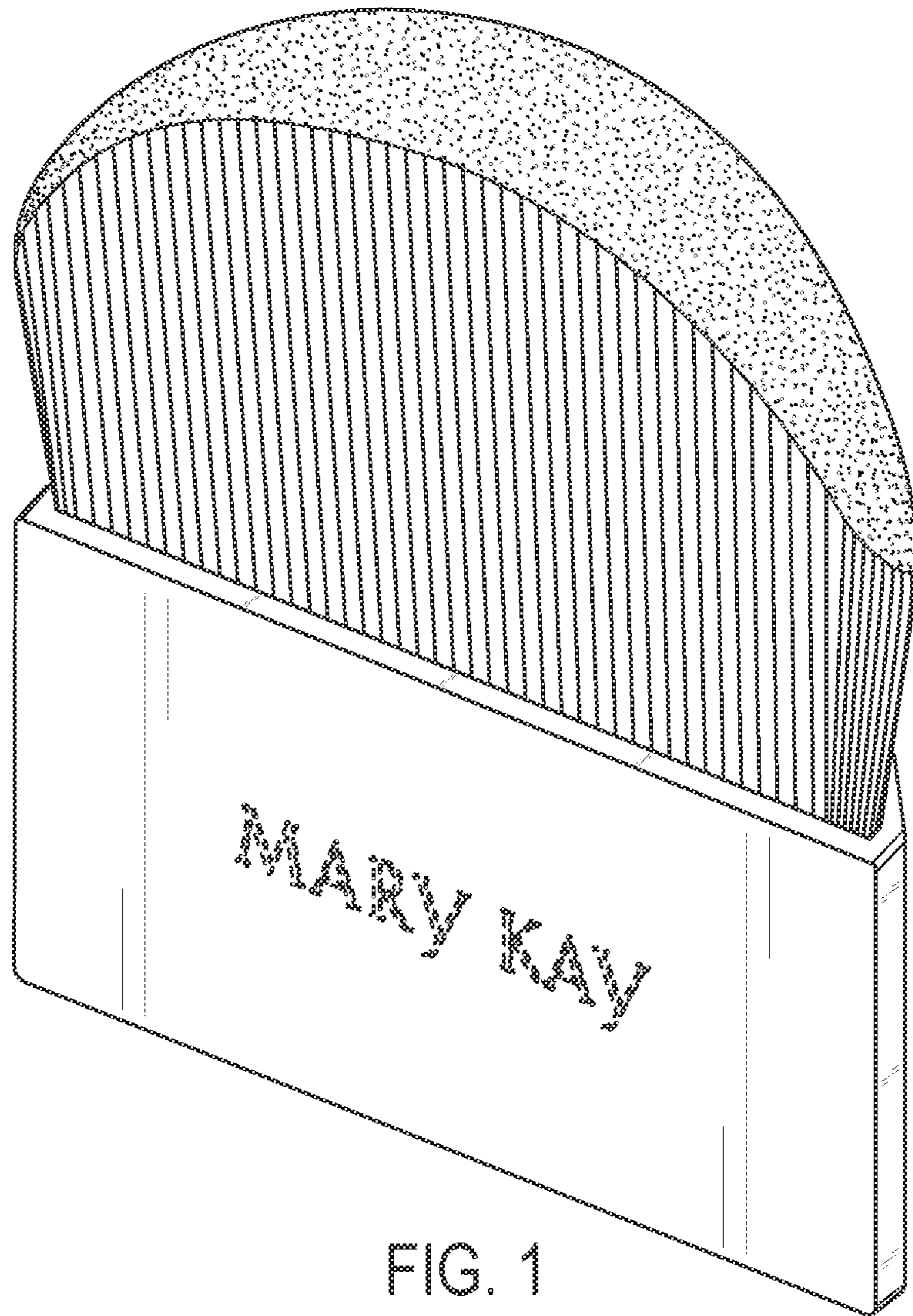


FIG. 1

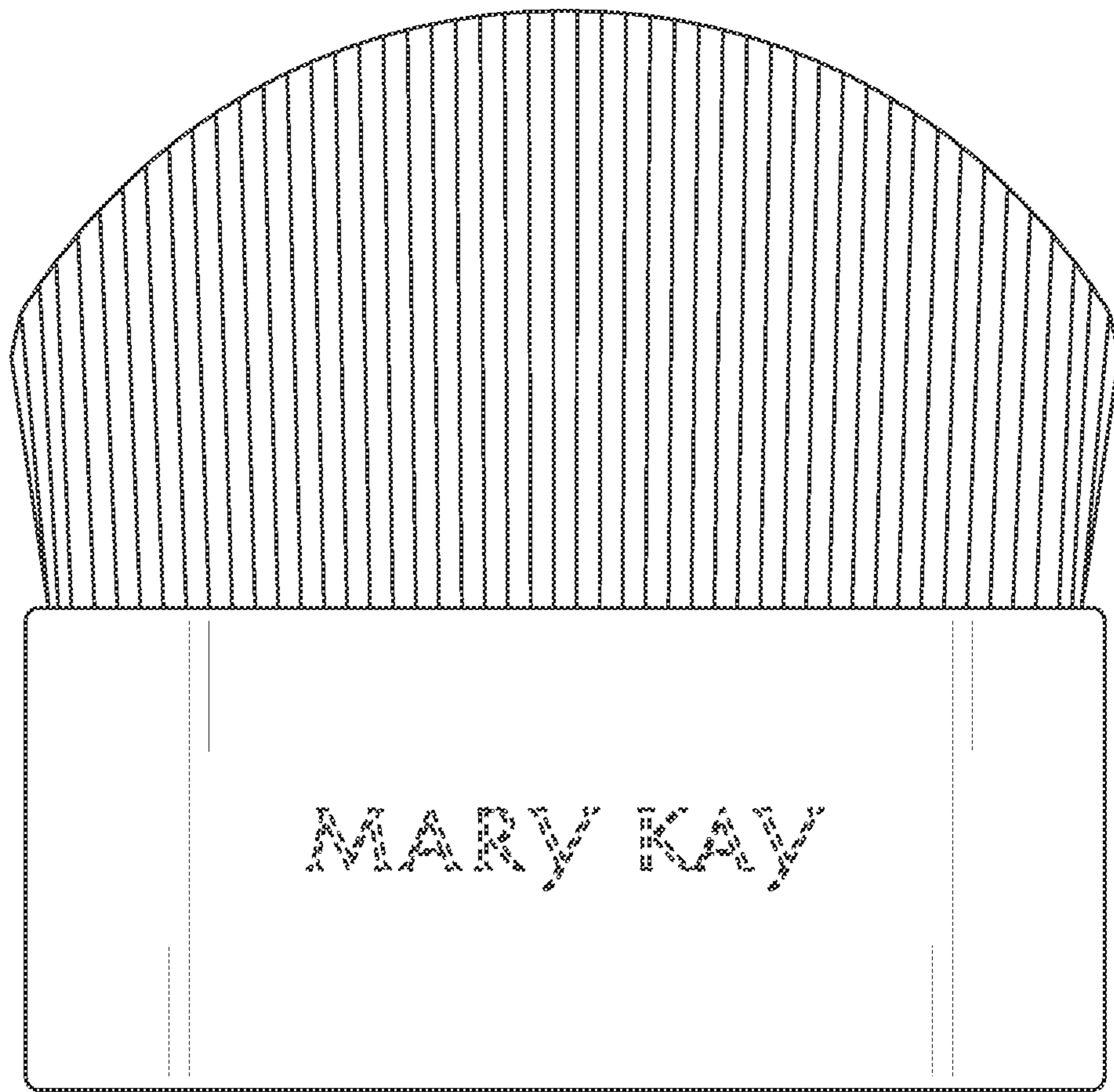


FIG. 2

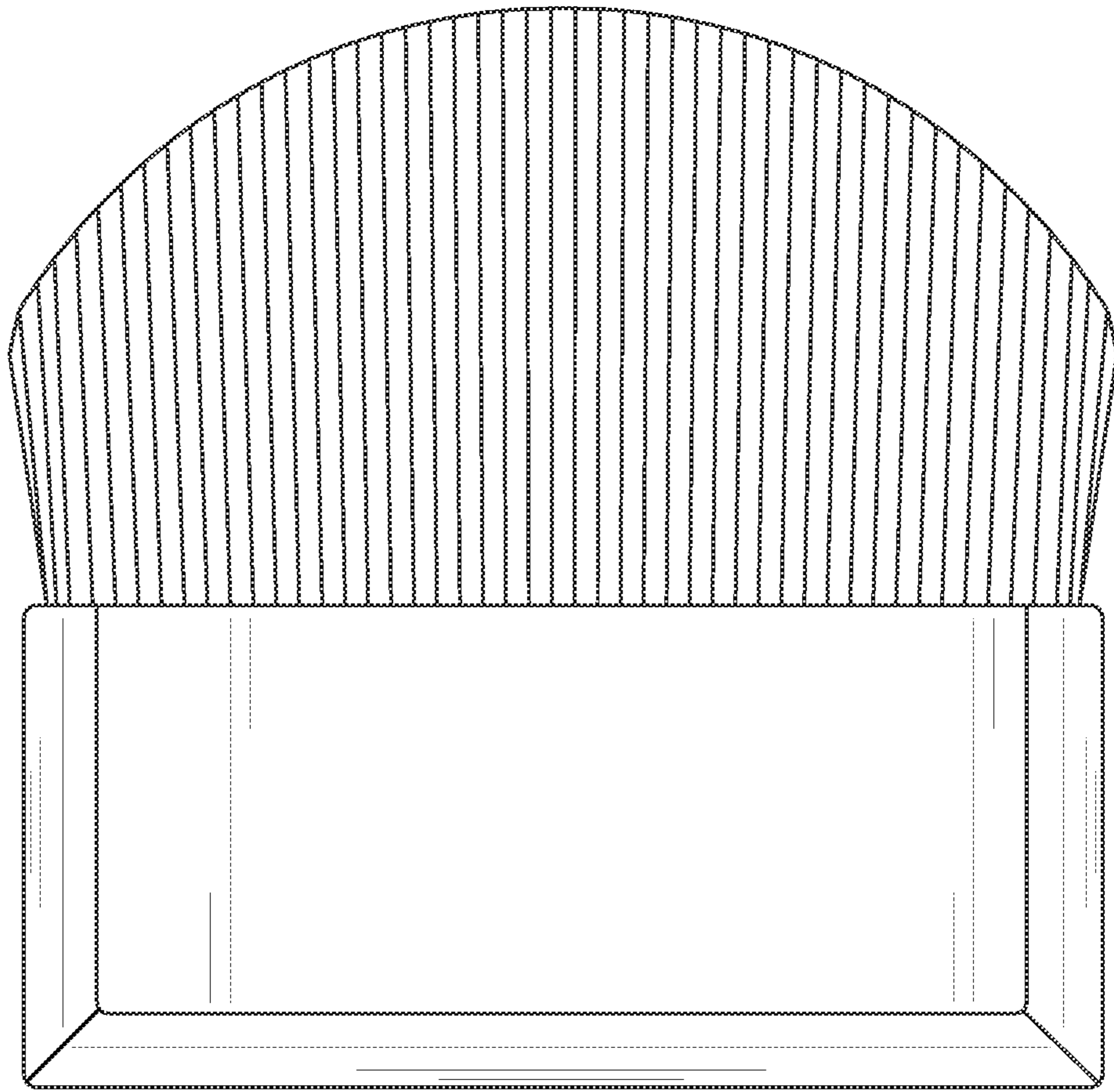


FIG. 3

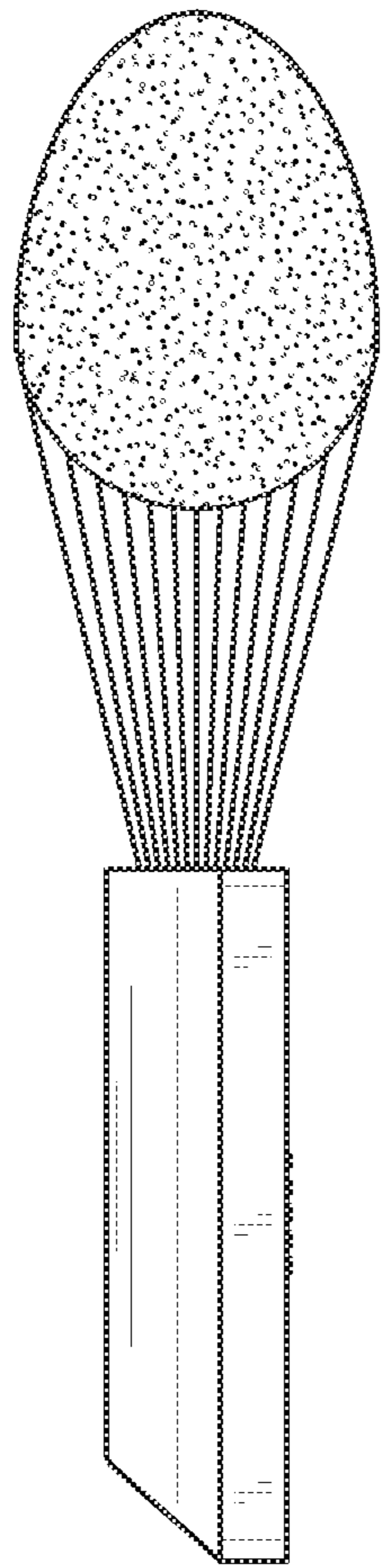


FIG. 4

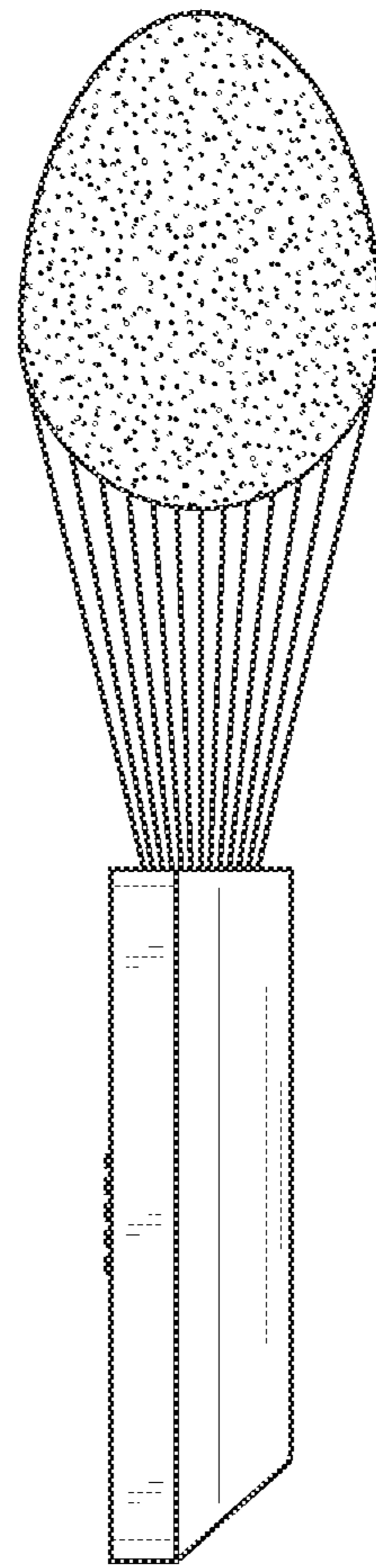


FIG. 5

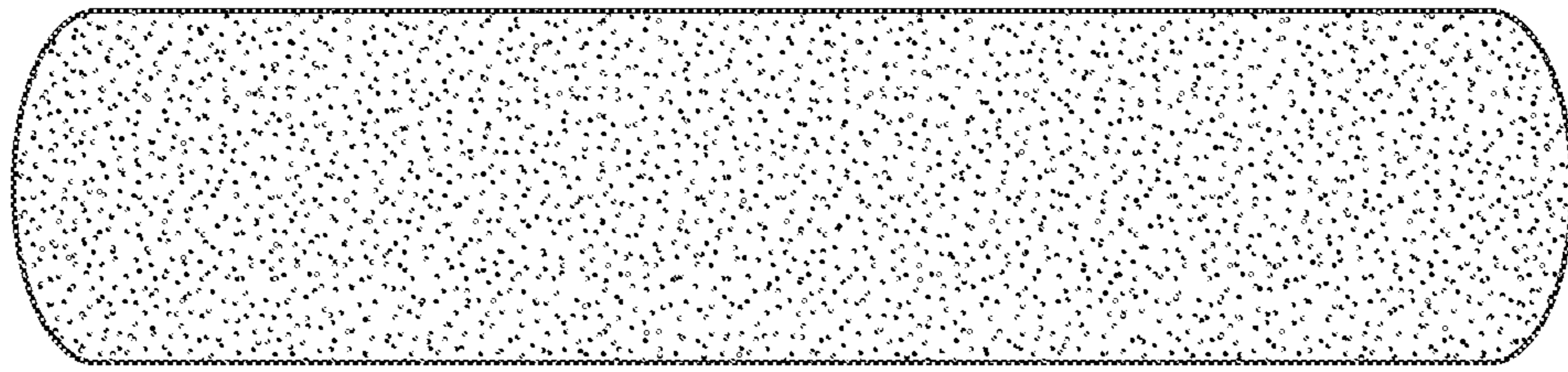


FIG. 6

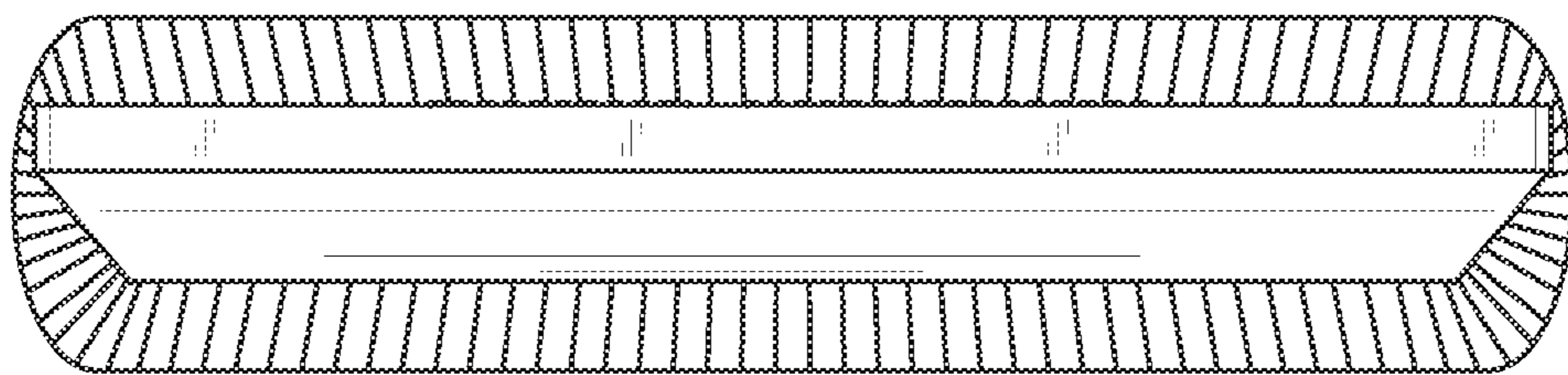


FIG. 7

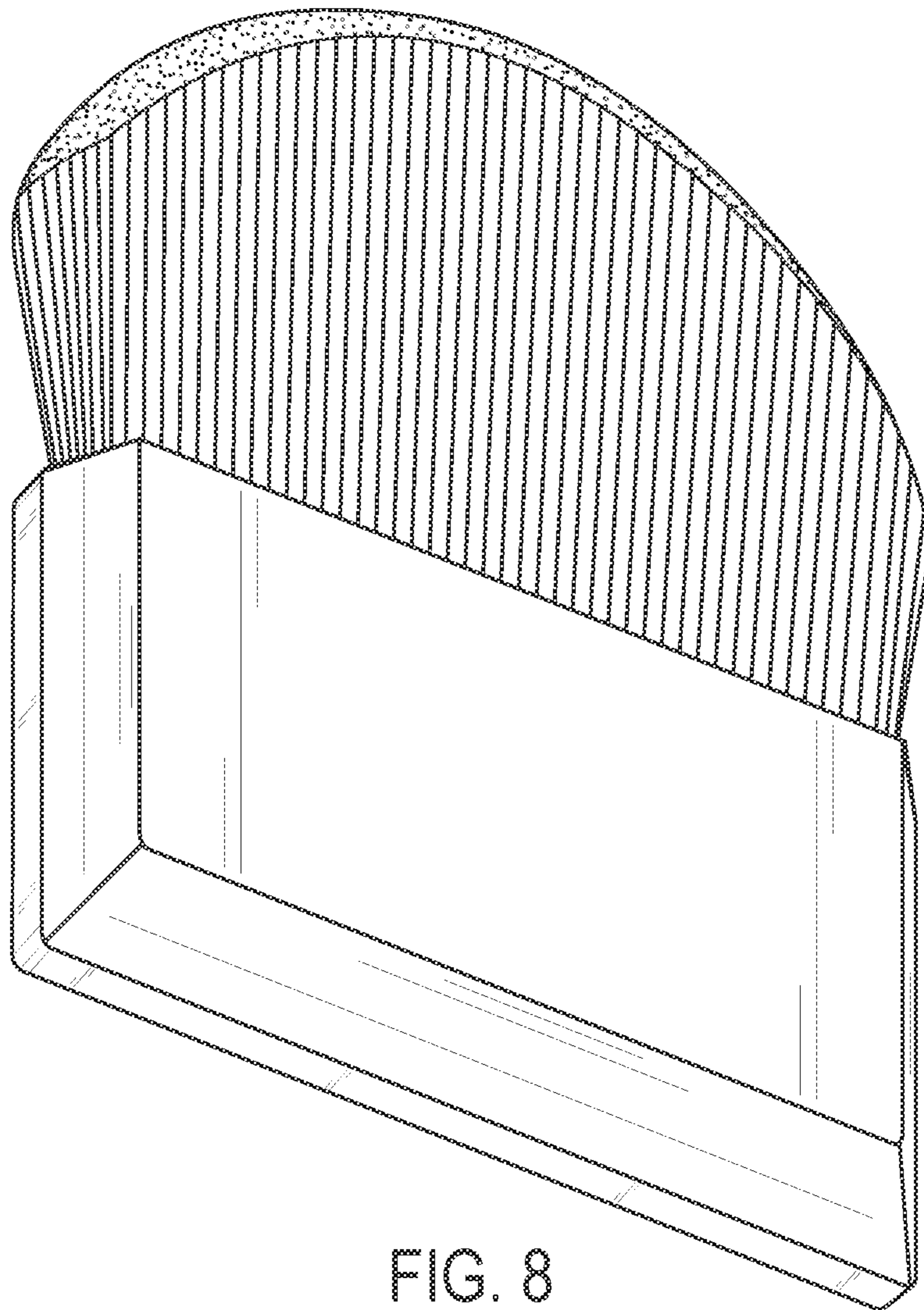


FIG. 8



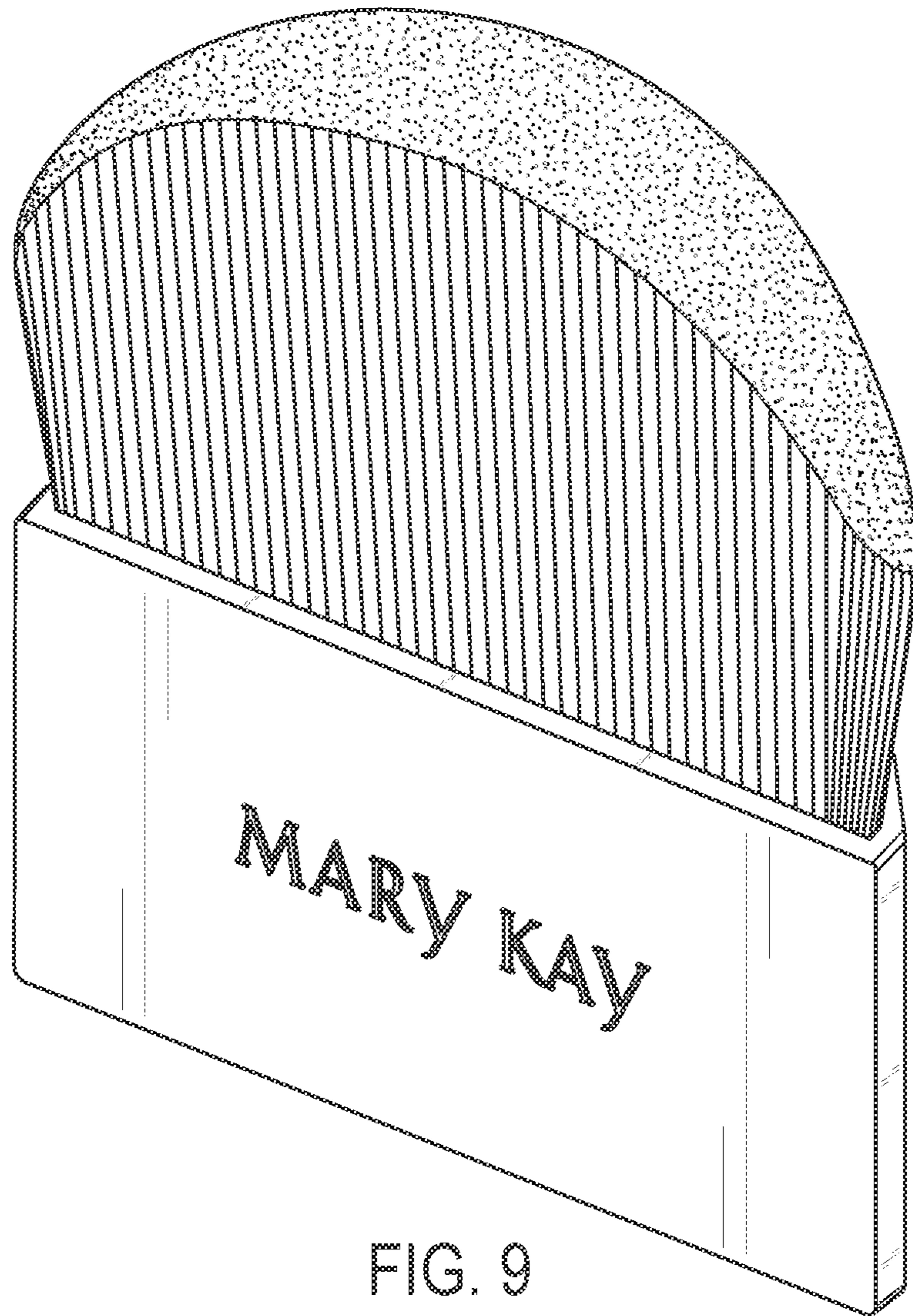


FIG. 9

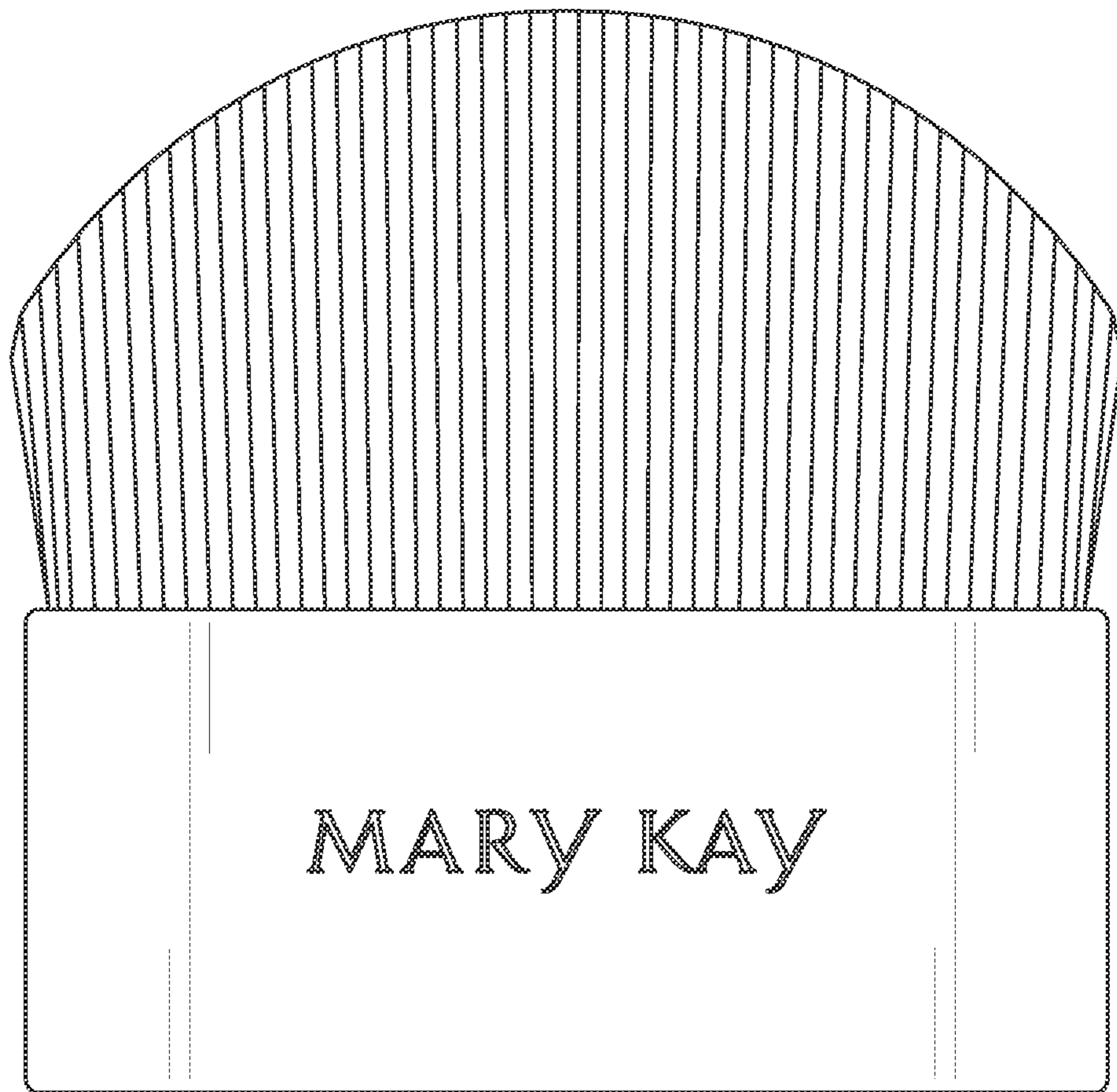


FIG. 10

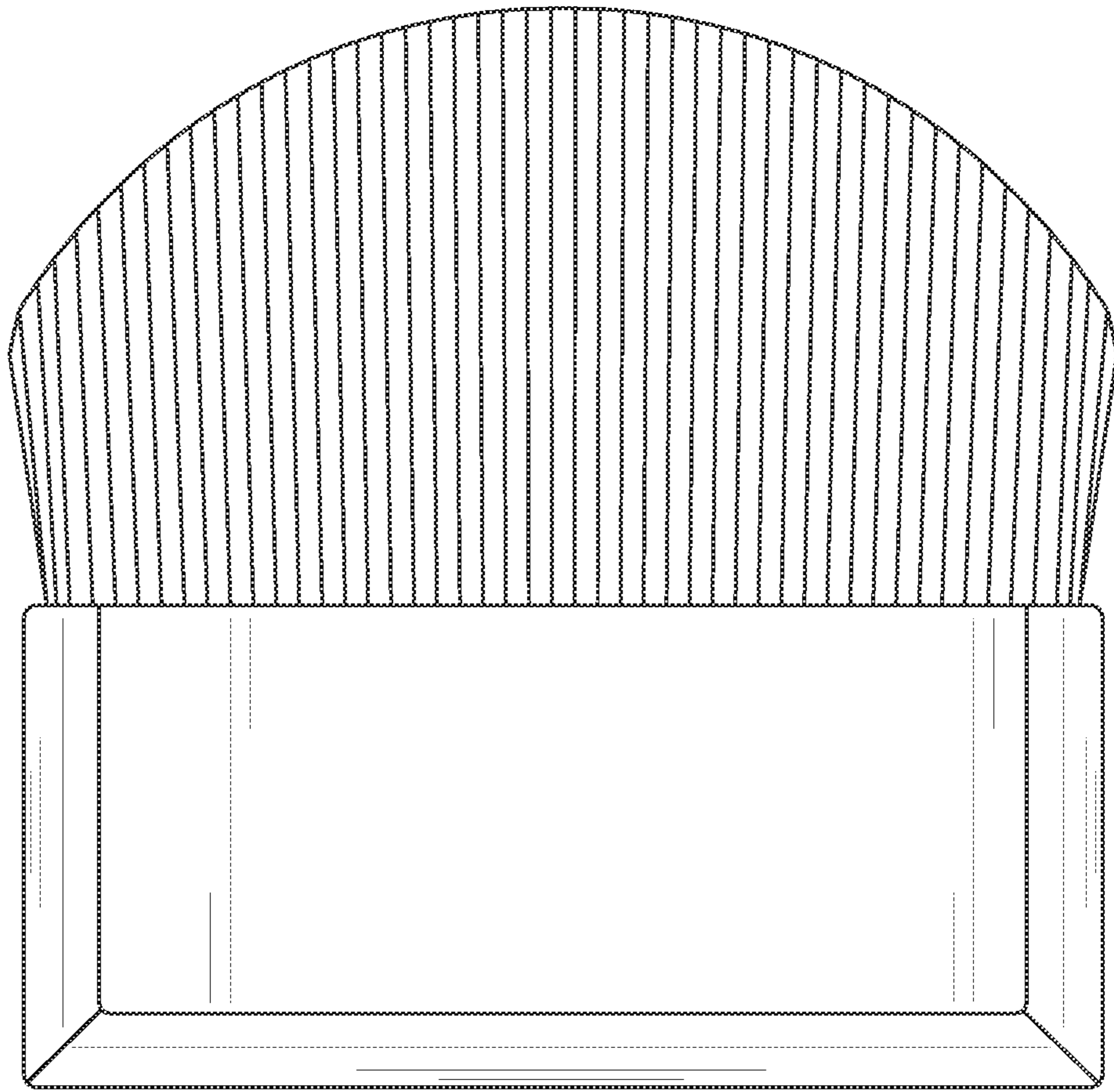


FIG. 11

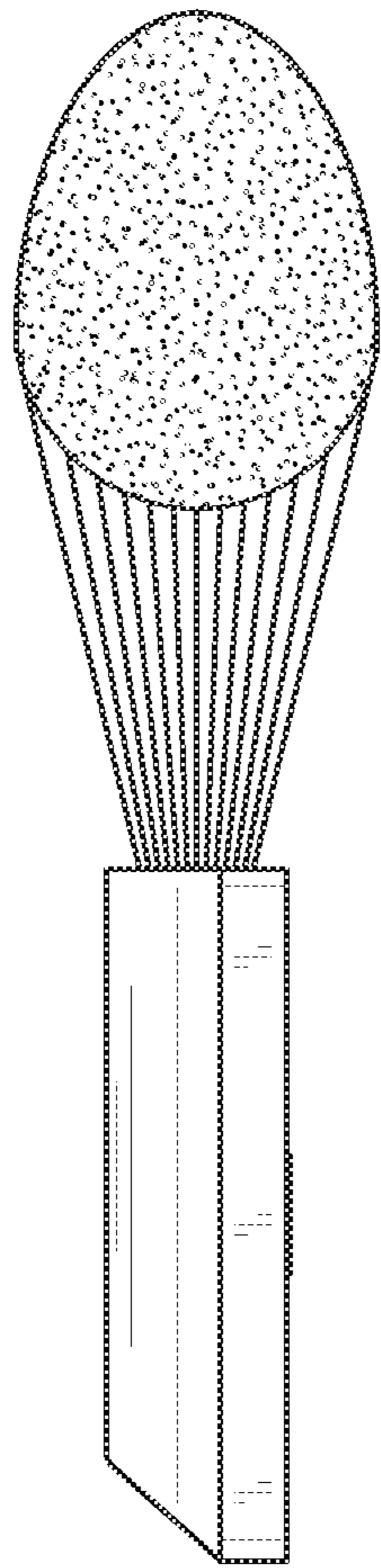


FIG. 12

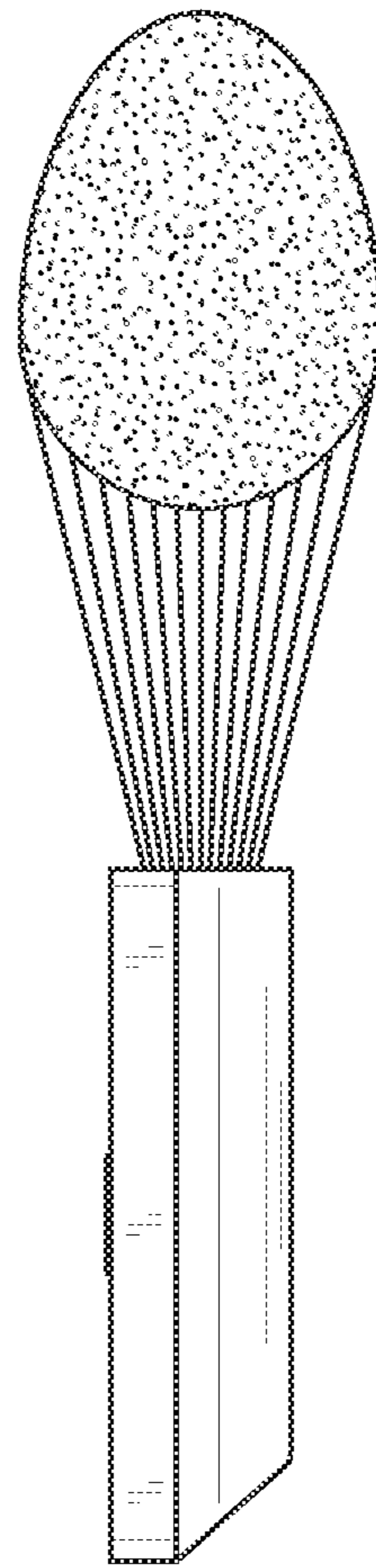


FIG. 13

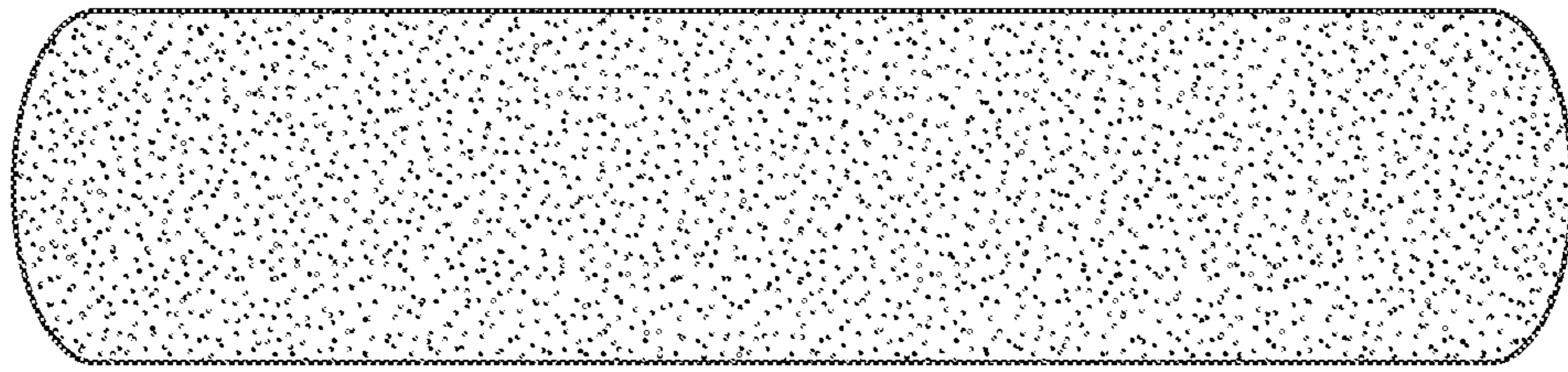


FIG. 14

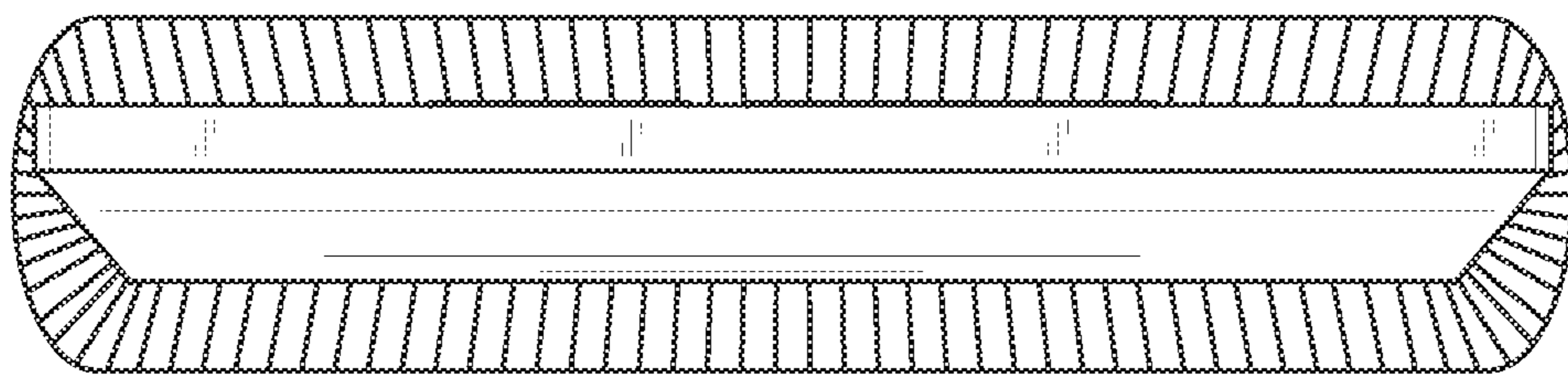


FIG. 15

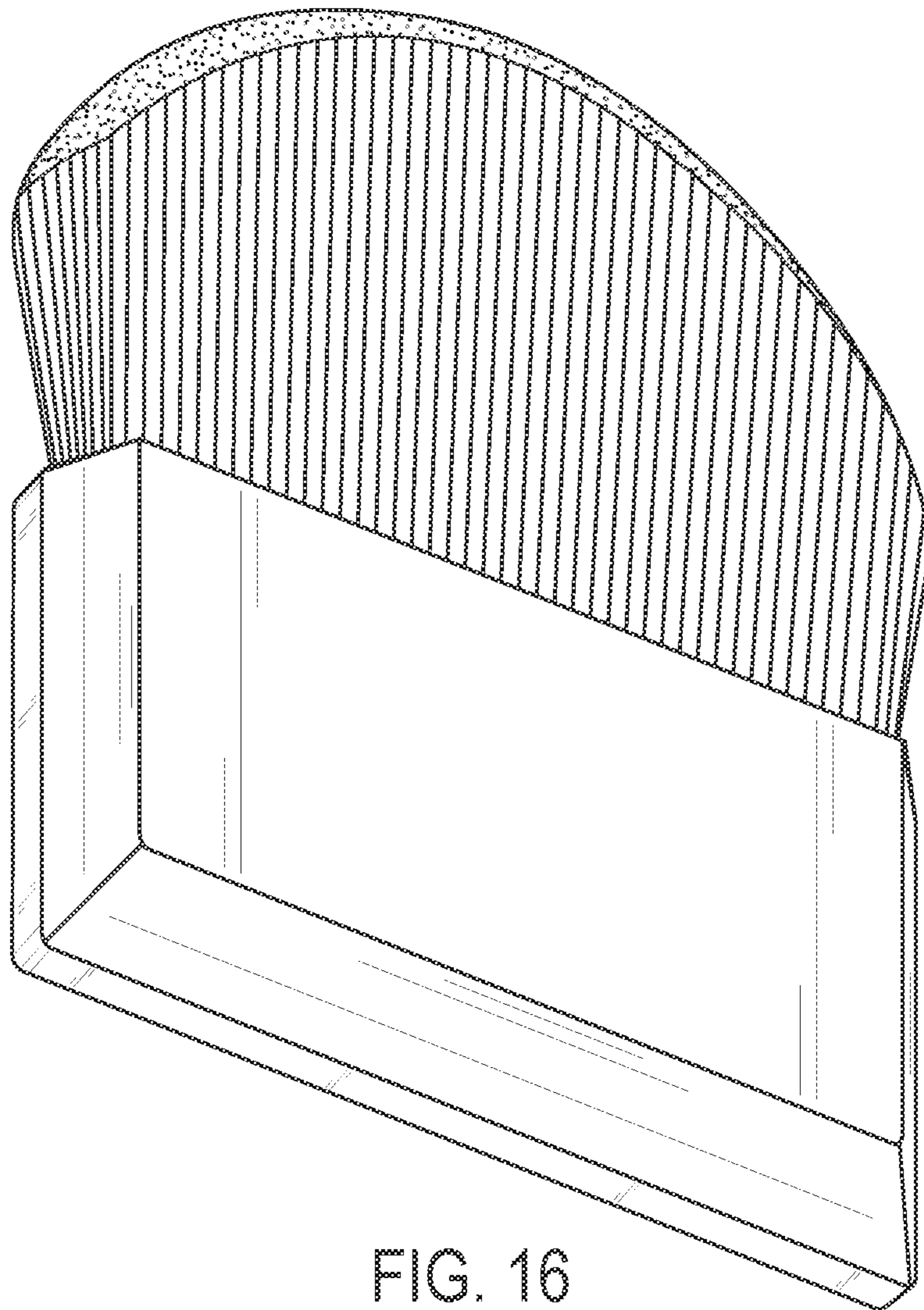


FIG. 16