



US00D921597S

(12) **United States Design Patent** (10) **Patent No.:** **US D921,597 S**
Mizusaki et al. (45) **Date of Patent:** **** Jun. 8, 2021**

(54) **PHOTOELECTRIC SENSOR**
(71) Applicant: **OMRON Corporation**, Kyoto (JP)
(72) Inventors: **Hiroyuki Mizusaki**, Fukuchiyama (JP);
Jumpei Nakamura, Ayabe (JP);
Tsuyoshi Miyata, Ayabe (JP); **Heita**
Nada, Ritto (JP)
(73) Assignee: **OMRON Corporation**, Kyoto (JP)
(**) Term: **15 Years**

D401,910 S * 12/1998 Fooks D13/165
D412,316 S * 7/1999 Fayfield D13/165
D421,422 S * 3/2000 La Police D13/165
D442,563 S * 5/2001 Fayfield D13/165
D453,147 S * 1/2002 Sato D13/165
D470,462 S * 2/2003 Fayfield D13/165
D471,162 S * 3/2003 Fayfield D13/165
D494,143 S * 8/2004 Sato D13/165
D495,302 S * 8/2004 Fujita D13/165
D621,792 S * 8/2010 Miller D13/162
2005/0199786 A1* 9/2005 Yoshida G01V 8/14
250/221
2010/0258711 A1* 10/2010 Wang G01V 8/20
250/221

(21) Appl. No.: **29/693,998**

* cited by examiner

(22) Filed: **Jun. 6, 2019**

Primary Examiner — Derrick E Holland

(30) **Foreign Application Priority Data**

(74) *Attorney, Agent, or Firm* — Capitol City TechLaw

Mar. 15, 2019 (JP) 2019-005532

(51) **LOC (13) Cl.** **13-03**

(52) **U.S. Cl.**
USPC **D13/165**

(58) **Field of Classification Search**
USPC D13/101, 102, 110, 118, 121, 123, 133,
D13/158, 162, 162.1, 165, 173, 184;
D10/70, 78, 80, 106.3, 106.5
CPC . G01S 17/02; G01S 17/04; G01S 7/51; G01S
7/497; G01S 7/4813; G01S 7/4972; G01P
1/02; G01P 1/08; G01V 8/12; G06F
3/048

See application file for complete search history.

(56) **References Cited**

U.S. PATENT DOCUMENTS

D255,031 S * 5/1980 Lazzara D13/165
D401,563 S * 11/1998 La Police D13/165

(57) **CLAIM**

The ornamental design for a photoelectric sensor, as shown and described.

DESCRIPTION

FIG. 1 is a front, top, and right side perspective view of a photoelectric sensor showing our new design;
FIG. 2 is a front view thereof;
FIG. 3 is a rear view thereof;
FIG. 4 is a left side view thereof;
FIG. 5 is a right side view thereof;
FIG. 6 is a top view thereof; and,
FIG. 7 is a bottom view thereof.

The dashed broken lines in the figures show portions of the photoelectric sensor that form no part of the claimed design.

1 Claim, 4 Drawing Sheets

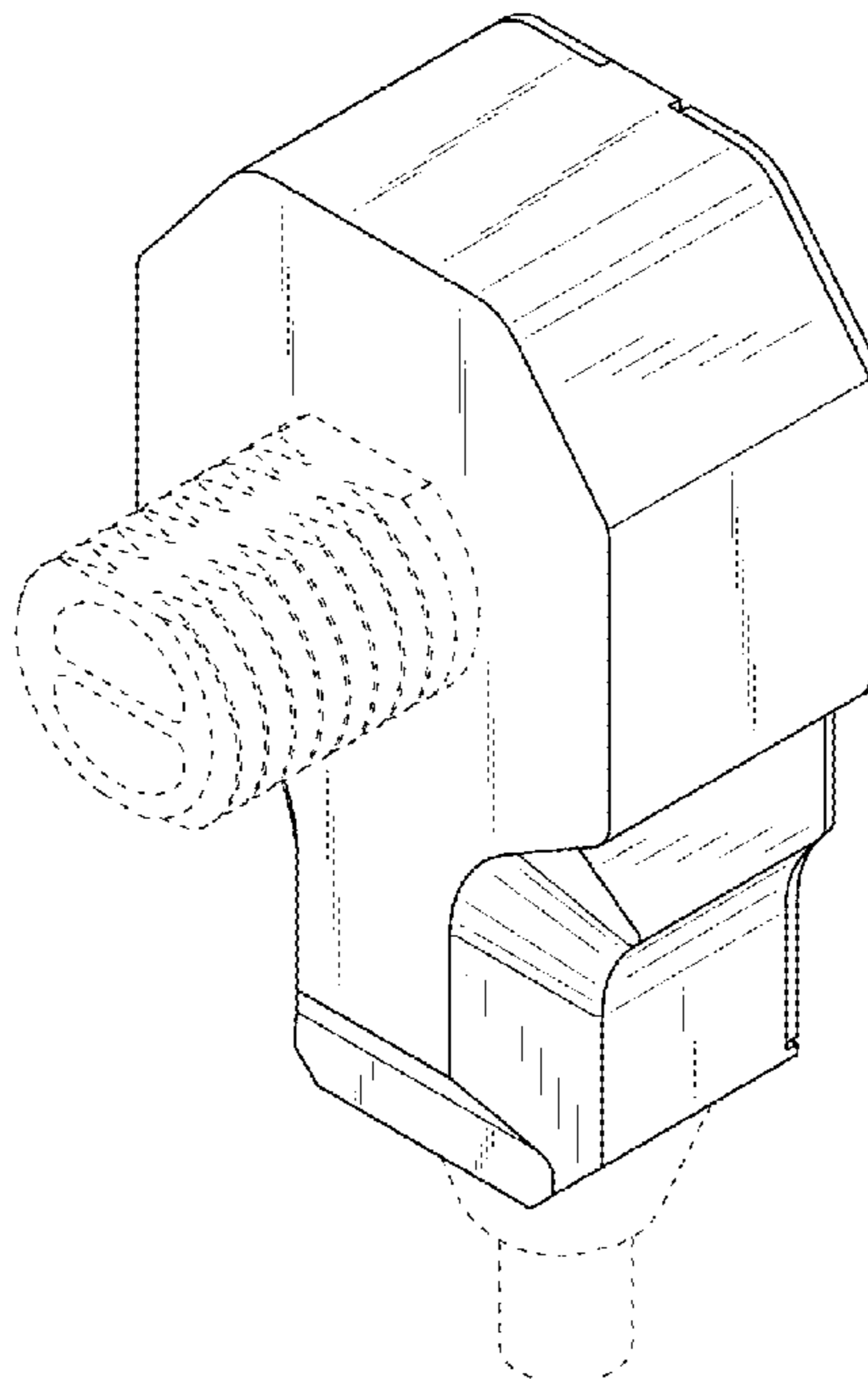


Fig. 1

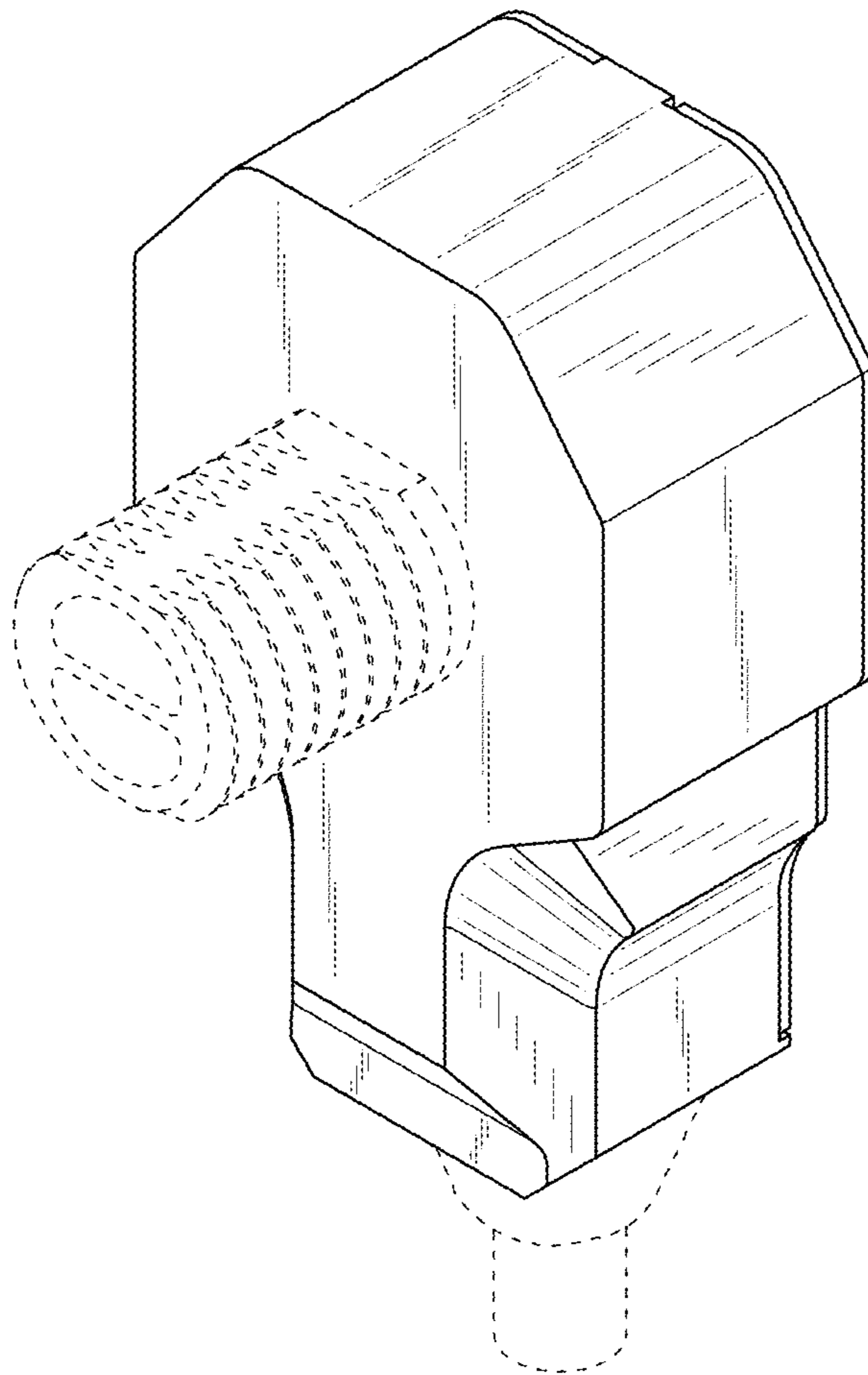


Fig. 2

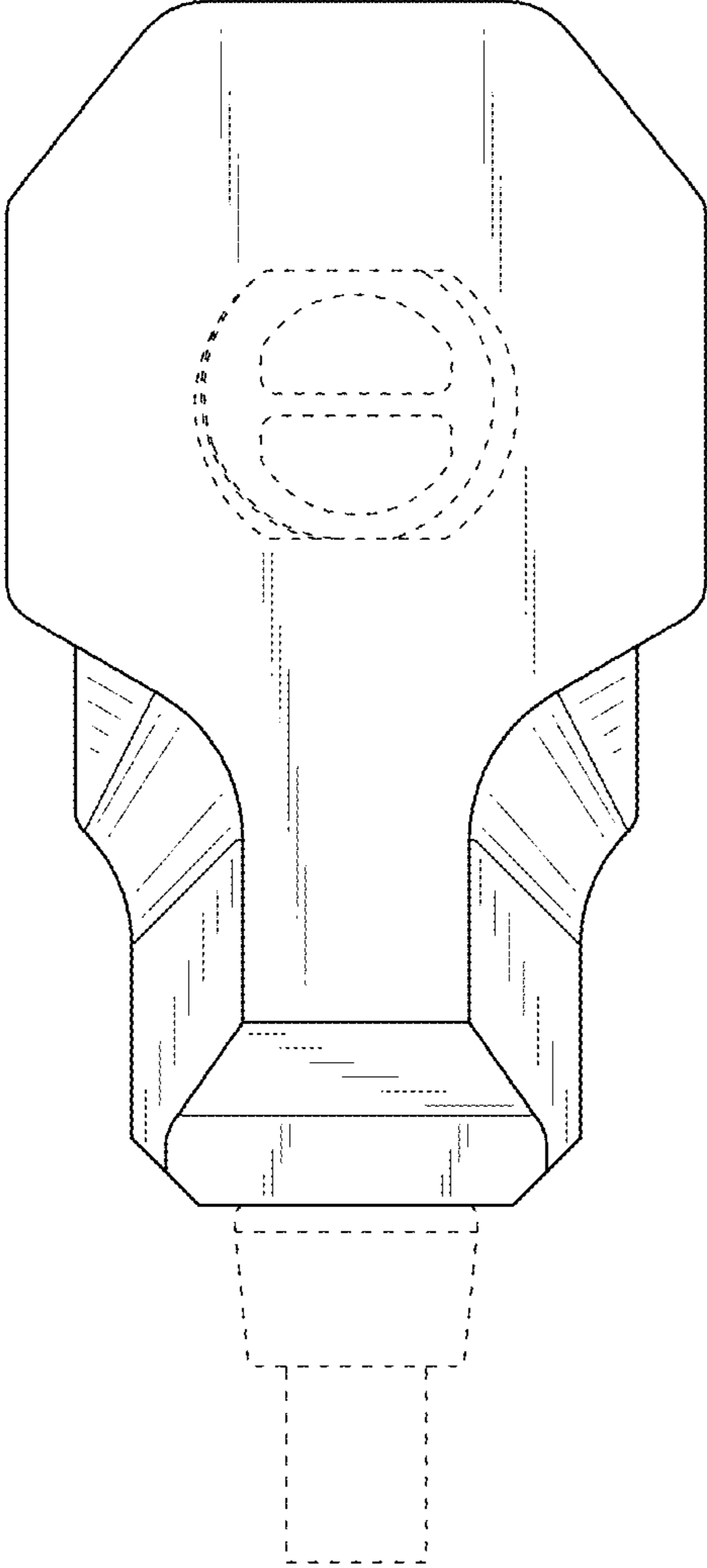


Fig. 3

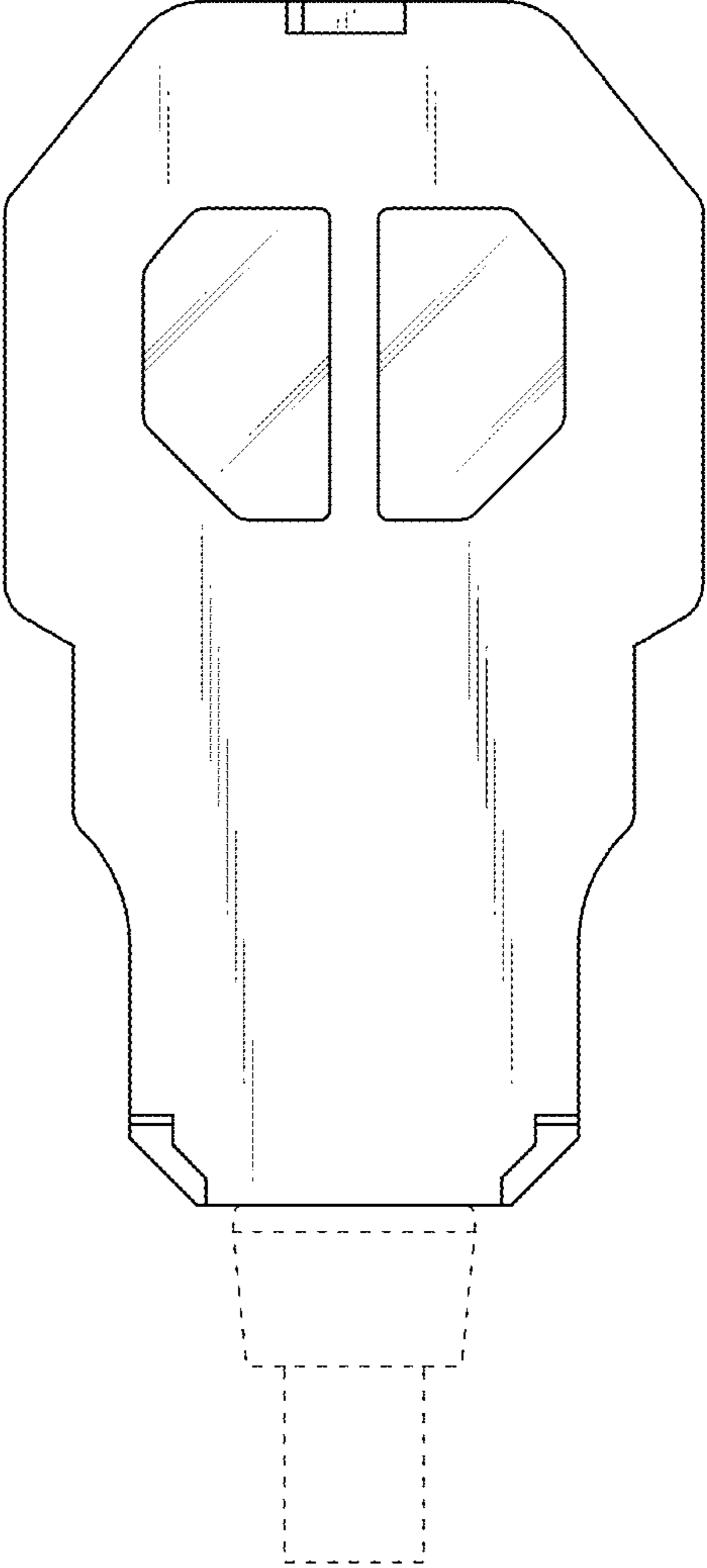


Fig. 4

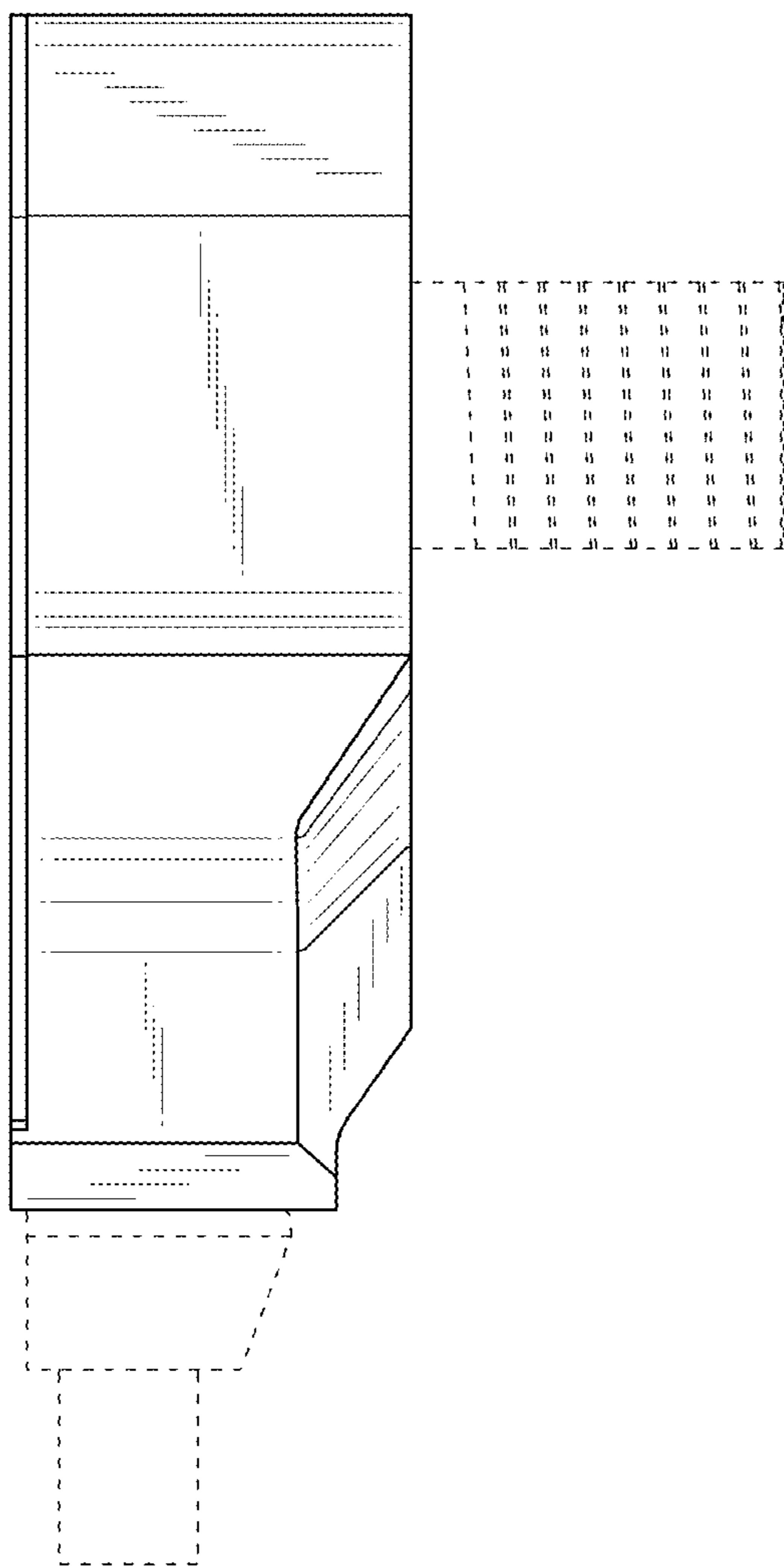


Fig. 5

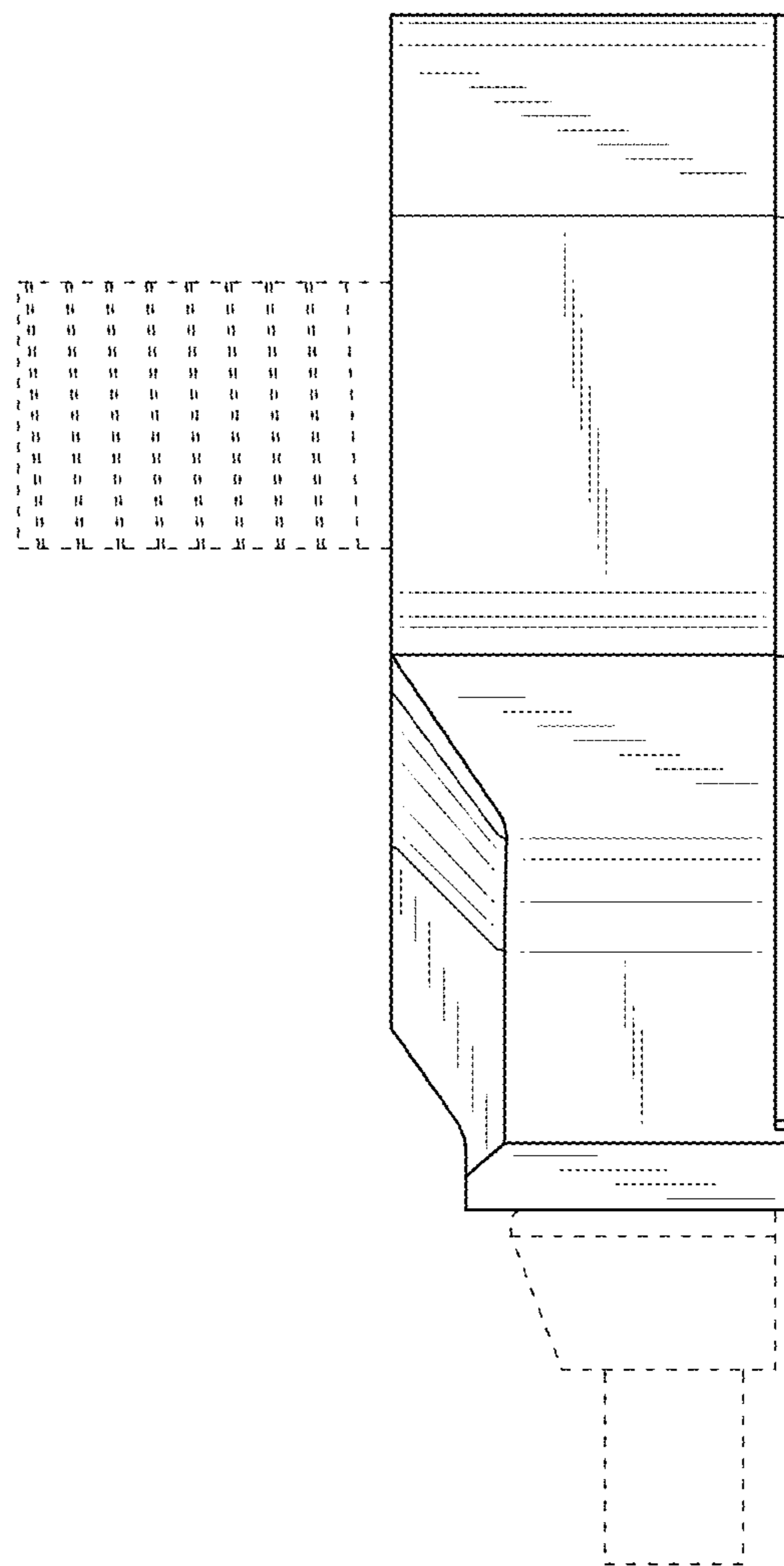


Fig. 6

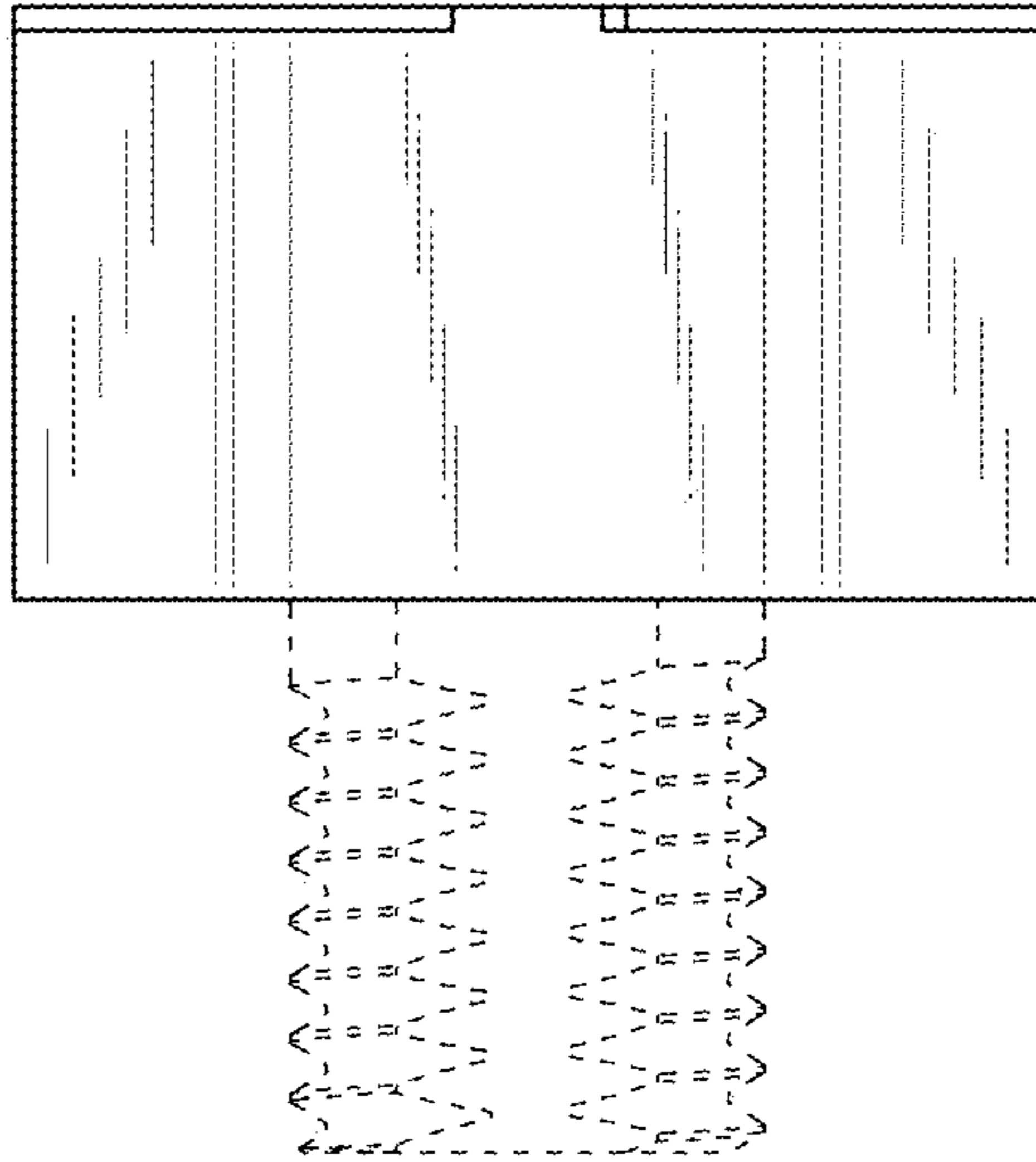


Fig. 7

