



US00D921595S

(12) **United States Design Patent** (10) **Patent No.:** **US D921,595 S**  
**Altonen et al.** (45) **Date of Patent:** **\*\* \*Jun. 8, 2021**

(54) **KEYPAD**

(71) Applicant: **Lutron Technology Company LLC**,  
Coopersburg, PA (US)

(72) Inventors: **Gregory Altonen**, Easton, PA (US);  
**Jason C. Killo**, Emmaus, PA (US);  
**Matthew Philip McDonald**,  
Phoenixville, PA (US); **Sean Tucker**,  
Bethlehem, PA (US)

(73) Assignee: **Lutron Technology Company LLC**,  
Coopersburg, PA (US)

(\*) Notice: This patent is subject to a terminal dis-  
claimer.

(\*\*) Term: **15 Years**

(21) Appl. No.: **29/625,371**

(22) Filed: **Nov. 9, 2017**

**Related U.S. Application Data**

(63) Continuation of application No. 29/616,874, filed on  
Sep. 9, 2017.

(51) **LOC (13) Cl.** ..... **13-03**

(52) **U.S. Cl.**  
USPC ..... **D13/164**

(58) **Field of Classification Search**  
USPC ..... D13/162, 164, 171, 177

(Continued)

(56) **References Cited**

**U.S. PATENT DOCUMENTS**

1,796,226 A \* 3/1931 Tombler ..... H02G 3/14  
16/DIG. 2  
2,215,260 A \* 9/1940 Woodward ..... H01H 9/161  
248/27.3

(Continued)

**OTHER PUBLICATIONS**

Knightsbridge Catalogue, Lighting and Wiring Accessories, 2015,  
p. 8, 36; [https://issuu.com/mlaccessorieslimited/docs/2015\\_mla\\_](https://issuu.com/mlaccessorieslimited/docs/2015_mla_catalogue)  
[catalogue.\\*](https://issuu.com/mlaccessorieslimited/docs/2015_mla_catalogue)

(Continued)

*Primary Examiner* — Selina Sikder  
(74) *Attorney, Agent, or Firm* — Saidman DesignLaw  
Group, LLC

(57) **CLAIM**

The ornamental design for a keypad, as shown and  
described.

**DESCRIPTION**

FIG. 1 is a front perspective view of a keypad showing our  
new design;

FIG. 2 is a front view thereof;

FIG. 3 is a left side view thereof;

FIG. 4 is a right side view thereof;

FIG. 5 is a top view thereof;

FIG. 6 is a bottom view thereof;

FIG. 7 is a front perspective view of a second embodiment  
thereof;

FIG. 8 is a front view thereof;

FIG. 9 is a left side view thereof;

FIG. 10 is a right side view thereof;

FIG. 11 is a top view thereof;

FIG. 12 is a bottom view thereof;

FIG. 13 is a front perspective view of a third embodiment  
thereof;

FIG. 14 is a front view thereof;

FIG. 15 is a left side view thereof;

FIG. 16 is a right side view thereof;

FIG. 17 is a top view thereof;

FIG. 18 is a bottom view thereof;

FIG. 19 is a front perspective view of a fourth embodiment  
thereof;

FIG. 20 is a front view thereof;

FIG. 21 is a left side view thereof;

FIG. 22 is a right side view thereof;

(Continued)

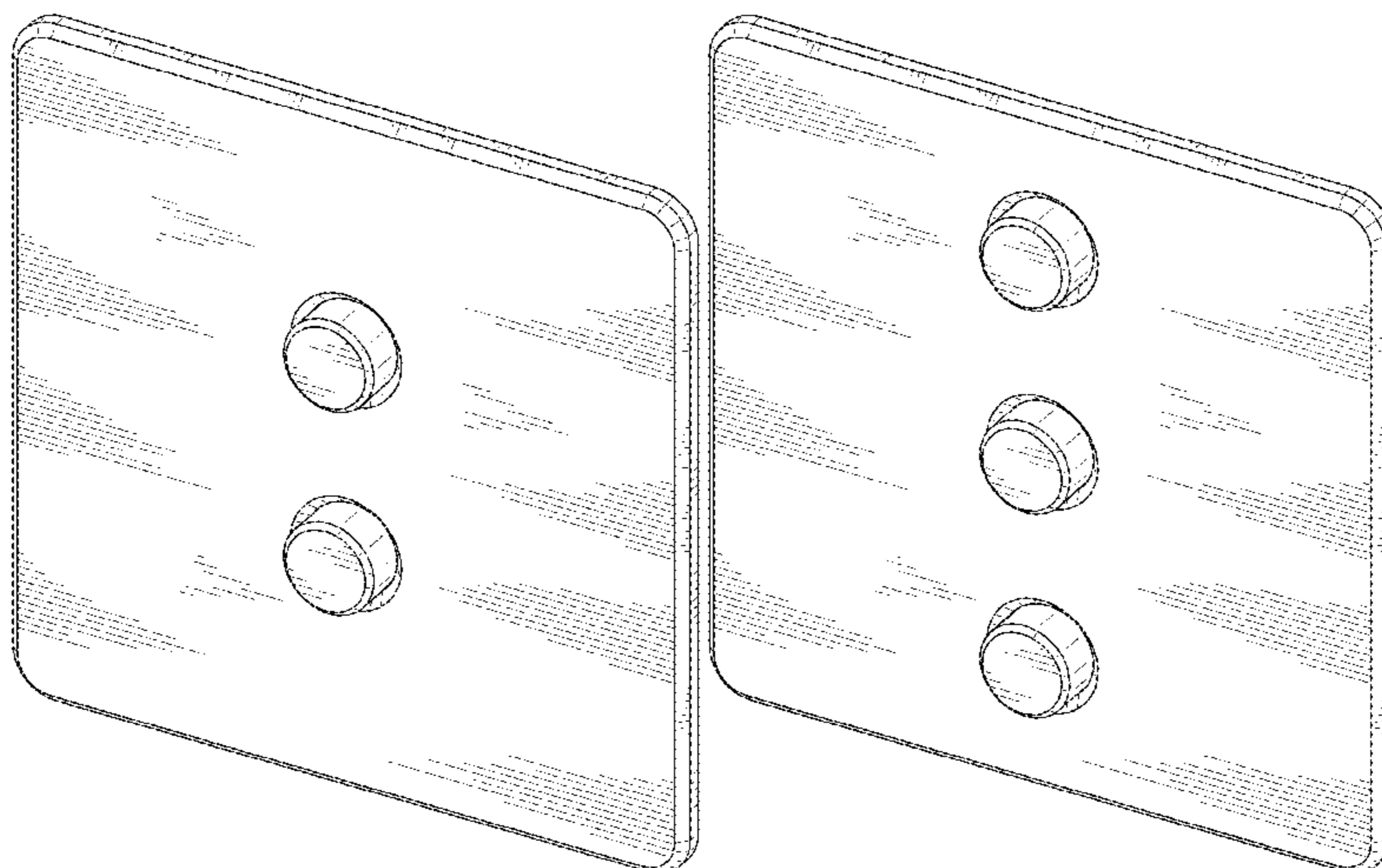


FIG. 23 is a top view thereof;  
 FIG. 24 is a bottom view thereof;  
 FIG. 25 is a front perspective view of a fifth embodiment thereof;  
 FIG. 26 is a front view thereof;  
 FIG. 27 is a left side view thereof;  
 FIG. 28 is a right side view thereof;  
 FIG. 29 is a top view thereof;  
 FIG. 30 is a bottom view thereof;  
 FIG. 31 is a front perspective view of a sixth embodiment thereof;  
 FIG. 32 is a front view thereof;  
 FIG. 33 is a left side view thereof;  
 FIG. 34 is a right side view thereof;  
 FIG. 35 is a top view thereof; and,  
 FIG. 36 is a bottom view thereof.  
 The contour of the buttons in FIGS. 7-18 is the same as the contour of the buttons in FIGS. 1-6.  
 The contour of the buttons in FIGS. 25-36 is the same as the contour of the buttons in FIGS. 19-24.  
 The uniform dashed broken lines illustrate structure or features which form no part of the claimed design.  
 The dark gray shading represents a matte surface, not surface ornamentation or any particular color.  
 The light gray shading represents a reflective/shiny surface, not surface ornamentation or any particular color.

**1 Claim, 24 Drawing Sheets**

(58) **Field of Classification Search**

CPC .. H01H 3/12; H01H 9/02; H01H 9/16; H01H 9/18; H01H 9/181; H01H 9/182; H01H 13/04; H01H 13/14; H01H 2009/187; H05B 37/02; H05B 37/0254; H05B 37/0272; H05B 39/02; H05B 39/04; H05B 39/085; H05B 39/086; H05B 39/088

See application file for complete search history.

(56)

**References Cited**

U.S. PATENT DOCUMENTS

3,185,803	A *	5/1965	Driscoll .....	H01H 13/12 200/296
3,186,981	A *	6/1965	De Ronde .....	H01H 9/286 200/318
D360,235	S *	7/1995	Emrys-Roberts .....	D14/401
D433,954	S *	11/2000	Delsart .....	D10/108
D453,742	S *	2/2002	Butler .....	D13/164
D510,074	S *	9/2005	Larson .....	D13/164
D547,273	S *	7/2007	Miarta .....	D13/164
D573,956	S *	7/2008	Hollner .....	D13/164
D595,240	S *	6/2009	Busbridge .....	D13/164
D621,795	S *	8/2010	Tsui .....	D13/171
D635,102	S *	3/2011	Tsui .....	D13/171
D652,087	S *	1/2012	Dawes .....	D21/489
D663,700	S *	7/2012	Deal .....	D13/162
D777,688	S *	1/2017	Seidl .....	D13/171
2010/0059351	A1 *	3/2010	Wu .....	A47B 13/12 200/341
2010/0270138	A1 *	10/2010	Yamanaka .....	H01H 13/7057 200/341

OTHER PUBLICATIONS

LeGrand, Mallia Catalogue, "Look Touch Love Woo," Apr. 2010 (28 pages).\*

Clipsal 4061PBLHB; Mar. 31, 2014; 1 pg; <https://www.bing.com/videos/search?q=saturn+horizon+switch&&view=detail&mid=29784129A37E9021BA0629784129A37E9021BA06&&FORM=VRDGAR&ru=%2Fvideos%2Fsearch%3Fq%3Dsatur%2Bhorizon%2Bswitch%26%26FORM%3DVDVXX>.\*

Clipsal 4063PB Push Button Switch; before 2017; 1 pg.\*

TOPSHALL Illuminated Wall Mount Push Switch; before 2017; 1 pg; [https://www.google.com/search?hl=en&biw=1536&bih=813&tbm=isch&sa=1&ei=Op-fXblw5qSCB9e7olAO&q=push+button+dimmer+switch+before+2017&oq=push+button+dimmer+switch+before+2017&gs\\_l=img.3...3379.7032..8742...0.0..0.67.630.12....0....1.gws-wiz-img](https://www.google.com/search?hl=en&biw=1536&bih=813&tbm=isch&sa=1&ei=Op-fXblw5qSCB9e7olAO&q=push+button+dimmer+switch+before+2017&oq=push+button+dimmer+switch+before+2017&gs_l=img.3...3379.7032..8742...0.0..0.67.630.12....0....1.gws-wiz-img).\*

RetroTouch 2 Gang 2 way Dimmer CT 02100; <https://www.lightswitchesandplugsockets.co.uk/retrotouch-4-gang-2-way-dimmer-switch-3-200w-led-halogen-white-glass-ct-02100-4720-p.asp>.\*

Varilight-Catalogue; <https://www.varilight.co.uk/varilight-catalogue.pdf>.\*

<http://www.legrand.com.vn/mallia/downloads/mallia.pdf>, 2010, 30 pages.\*

\* cited by examiner

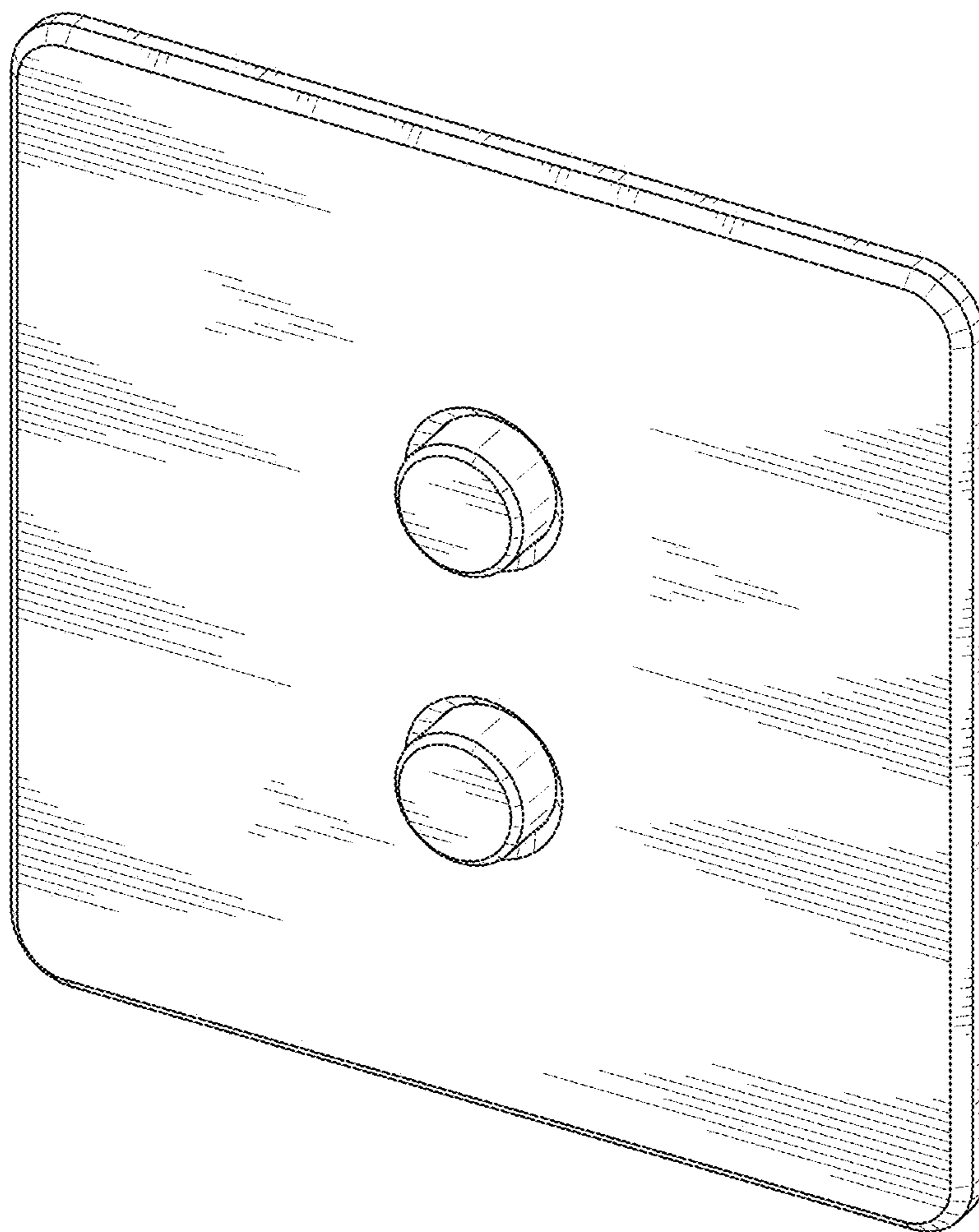


FIG. 1



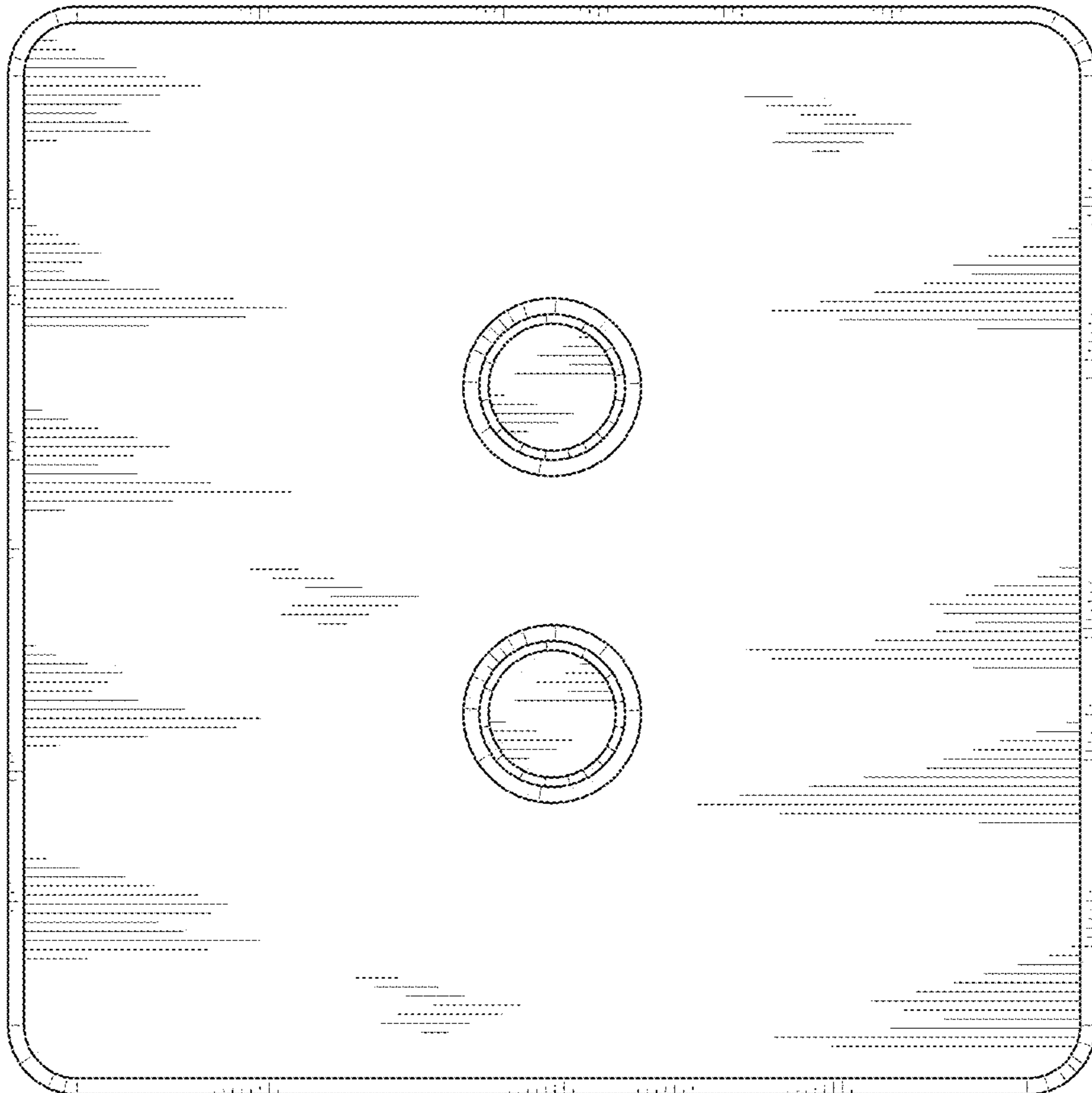


FIG. 2

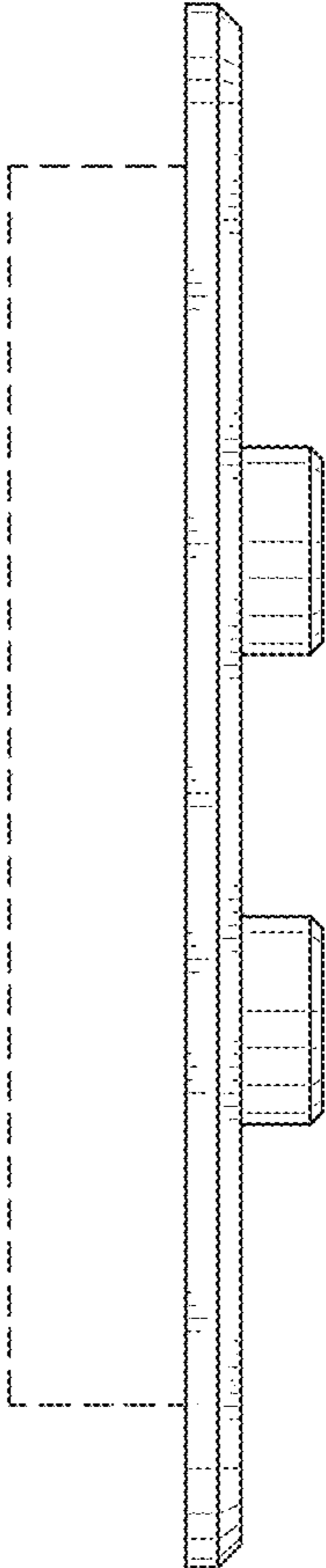


FIG. 3

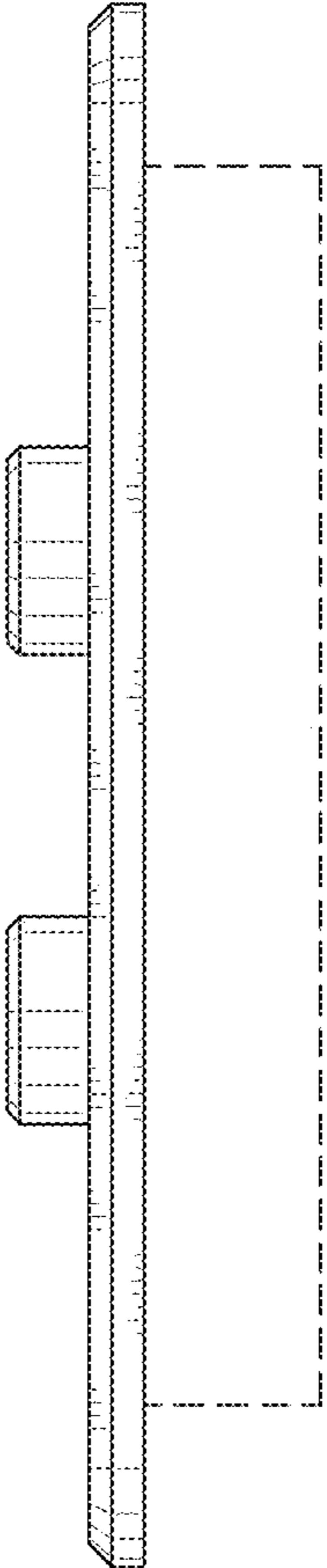


FIG. 4

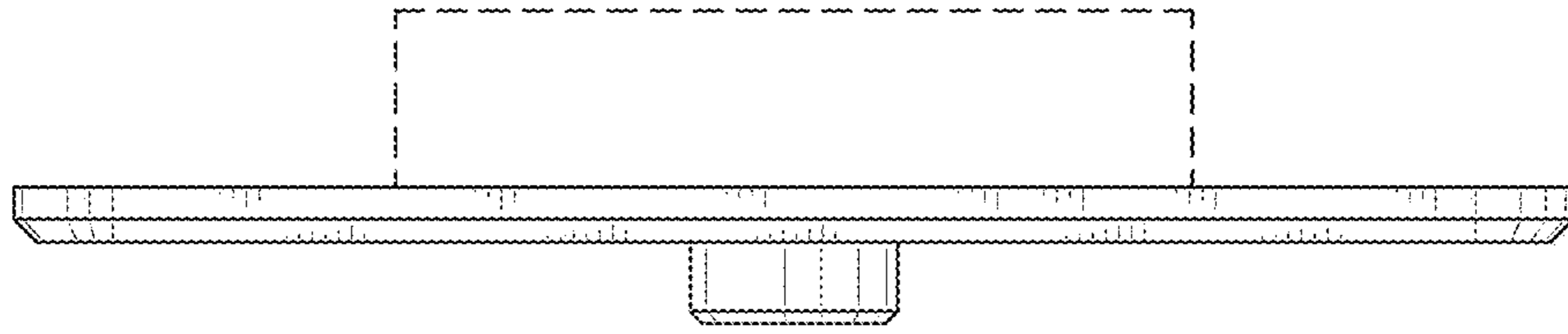


FIG. 5

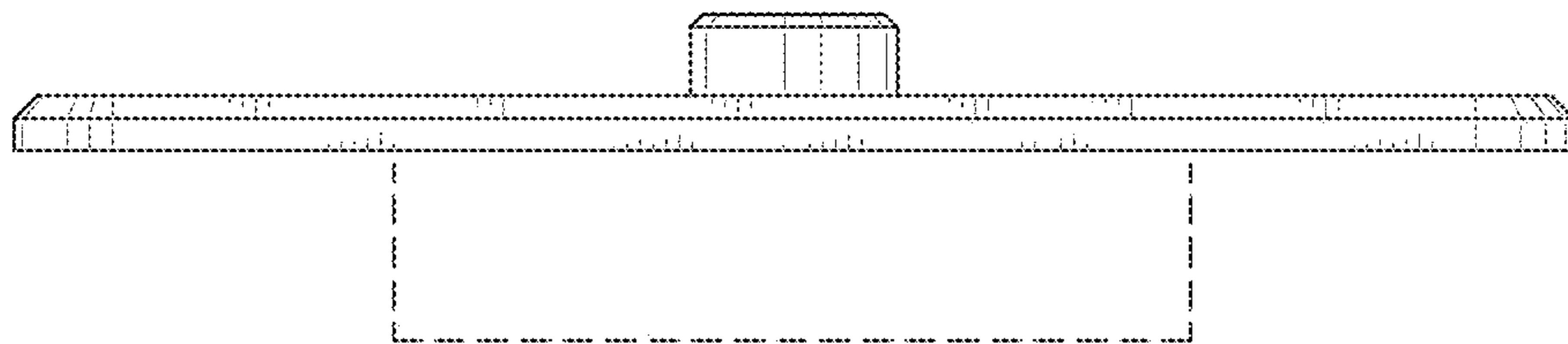


FIG. 6



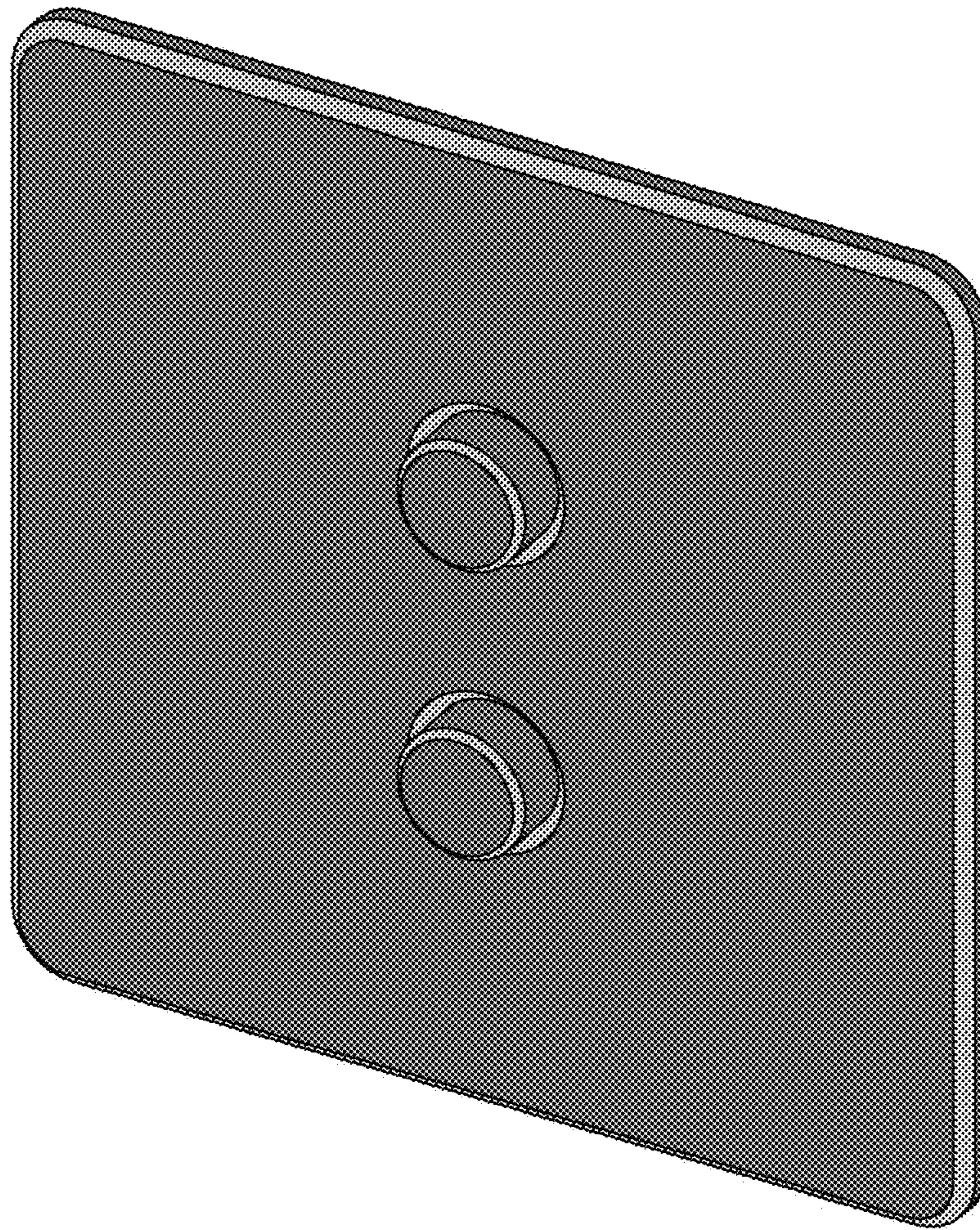


FIG. 7



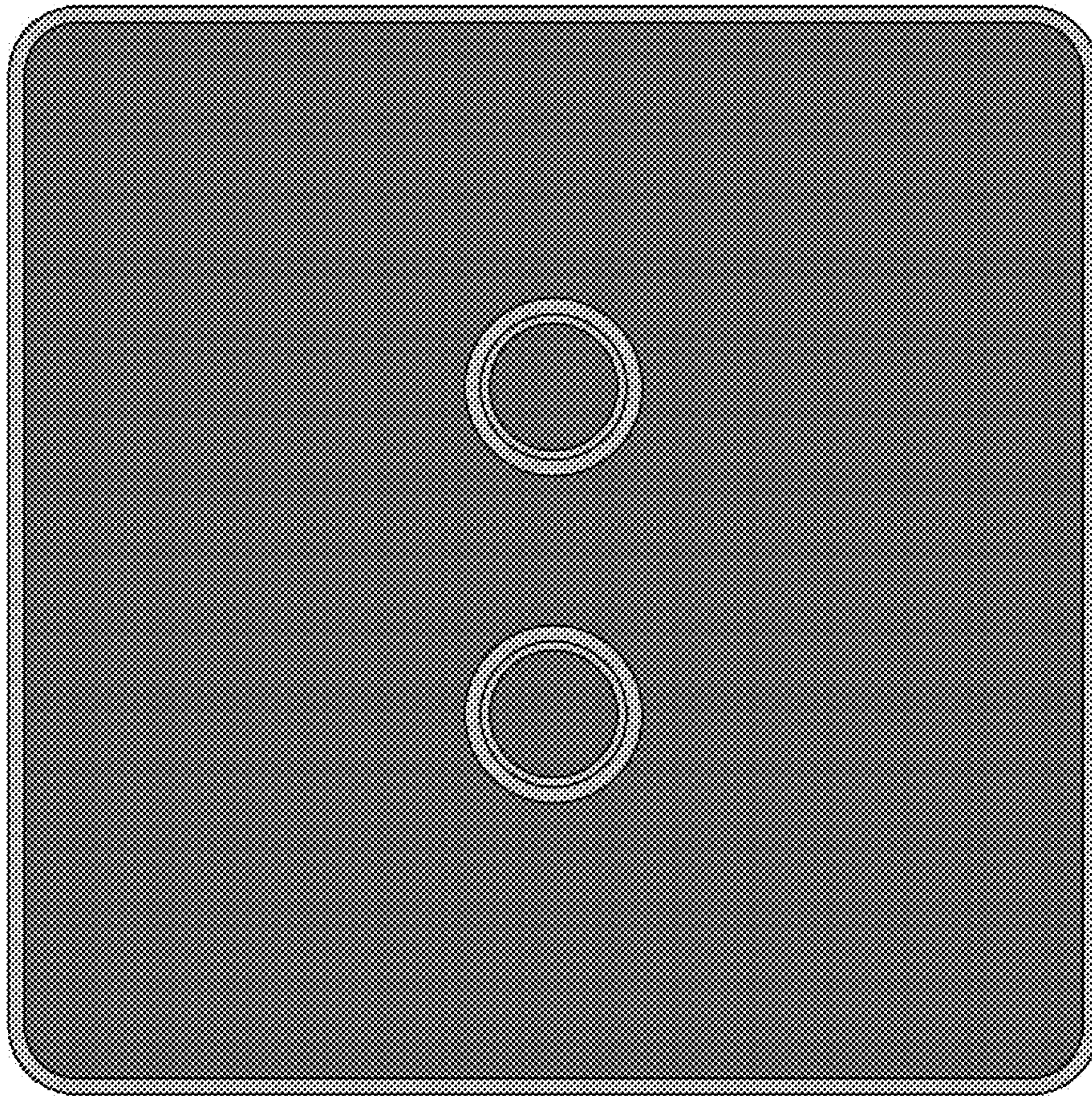


FIG. 8



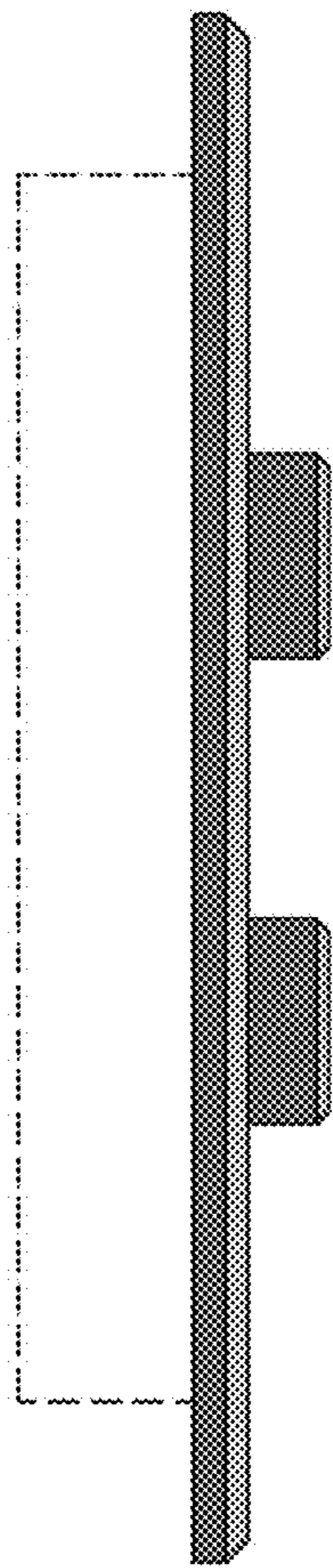


FIG. 9

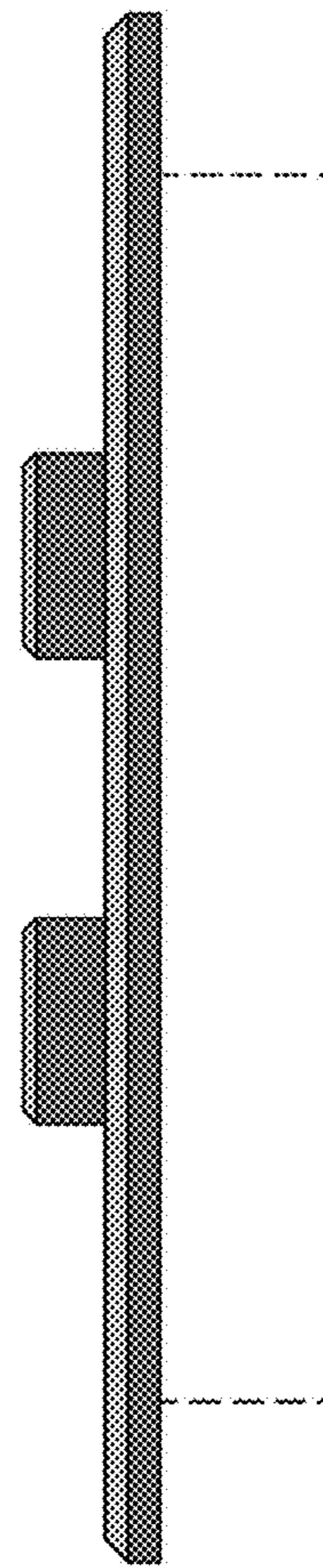


FIG. 10

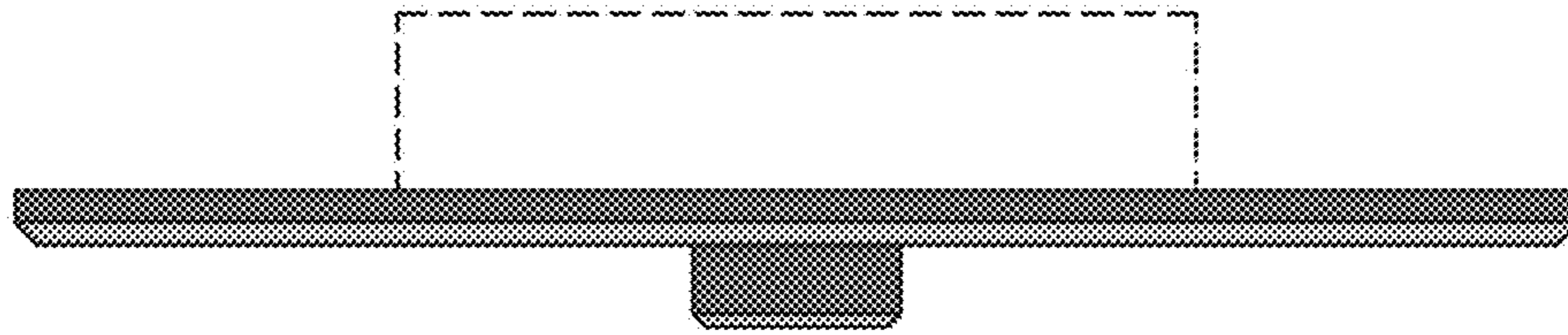


FIG. 11

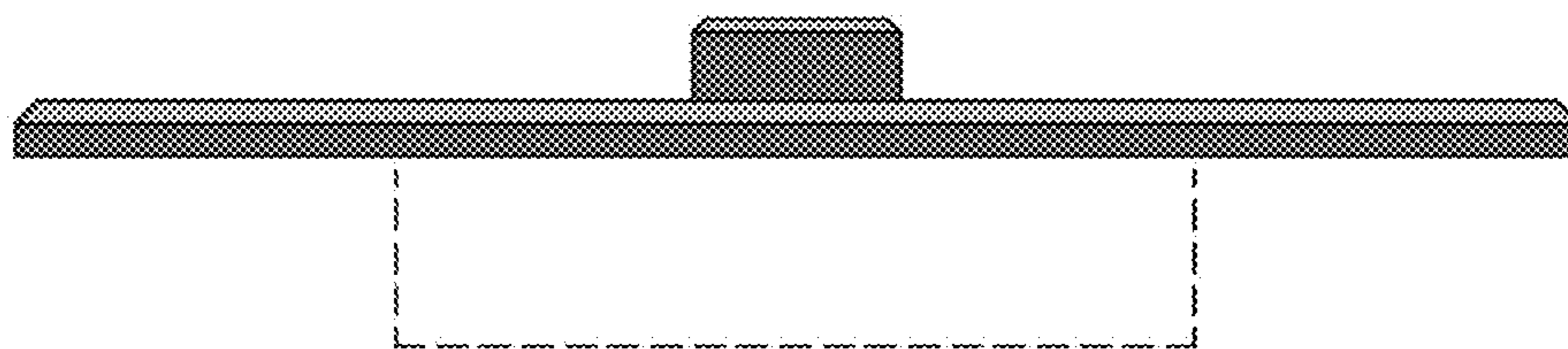


FIG. 12



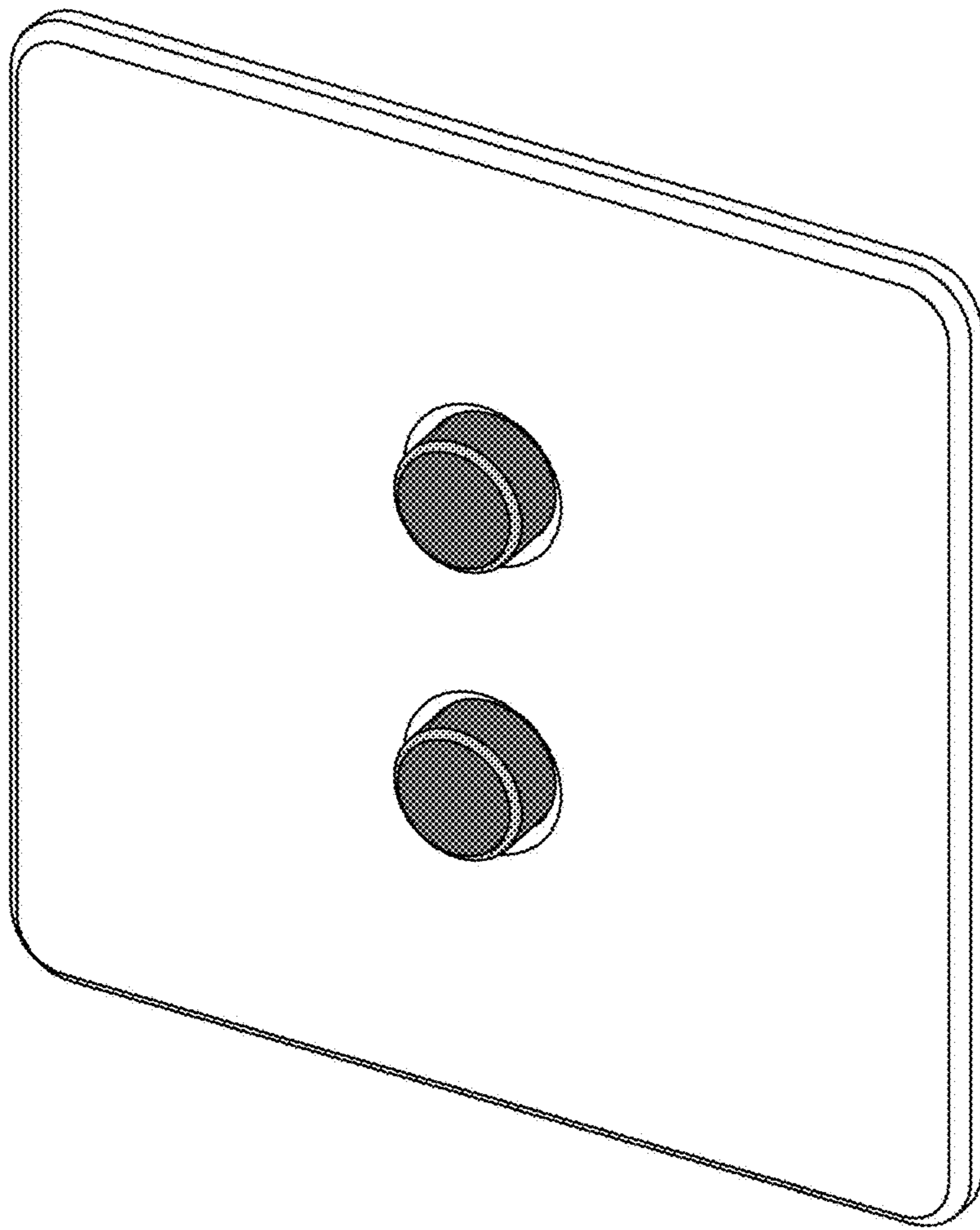


FIG. 13

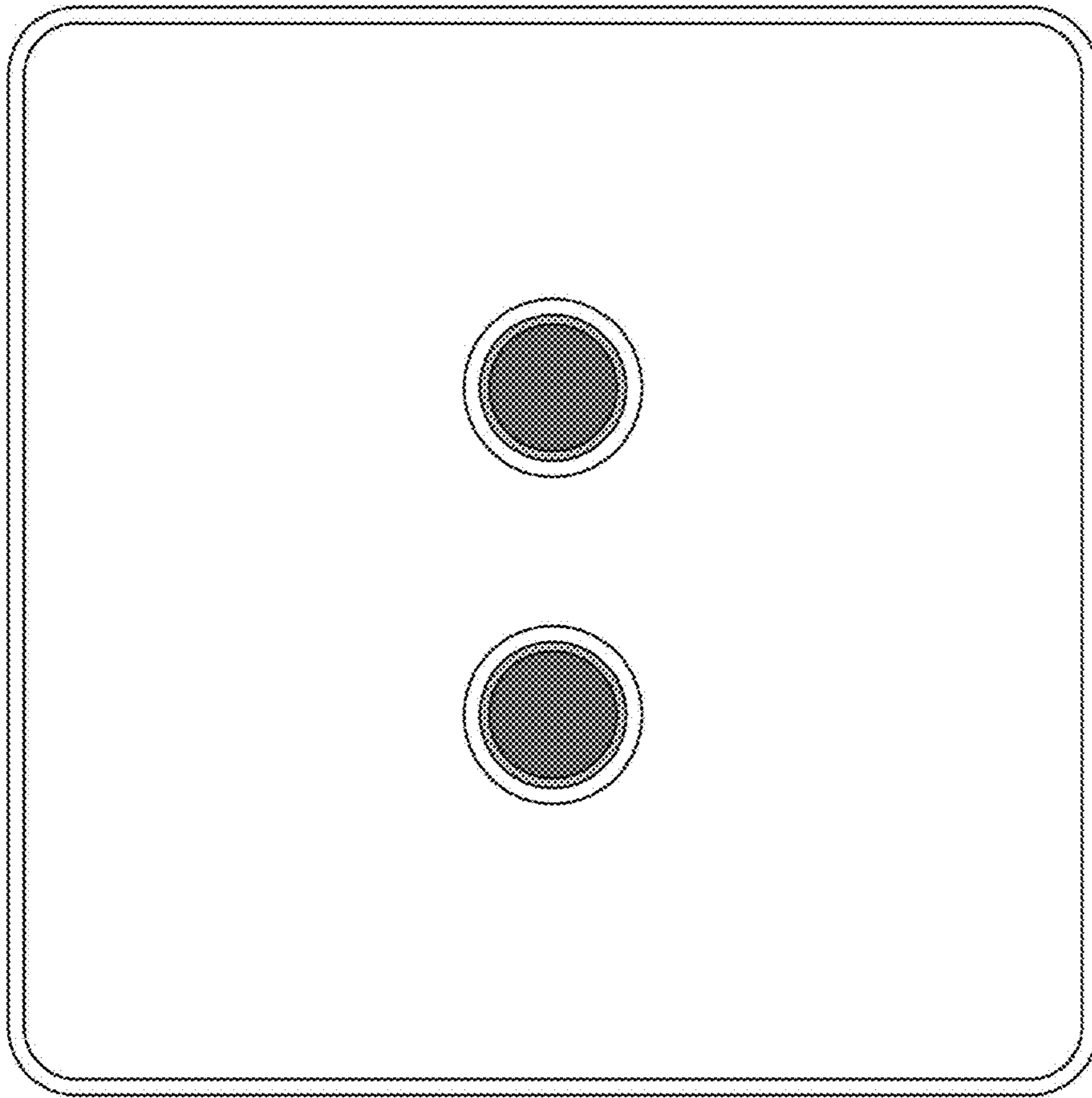


FIG. 14



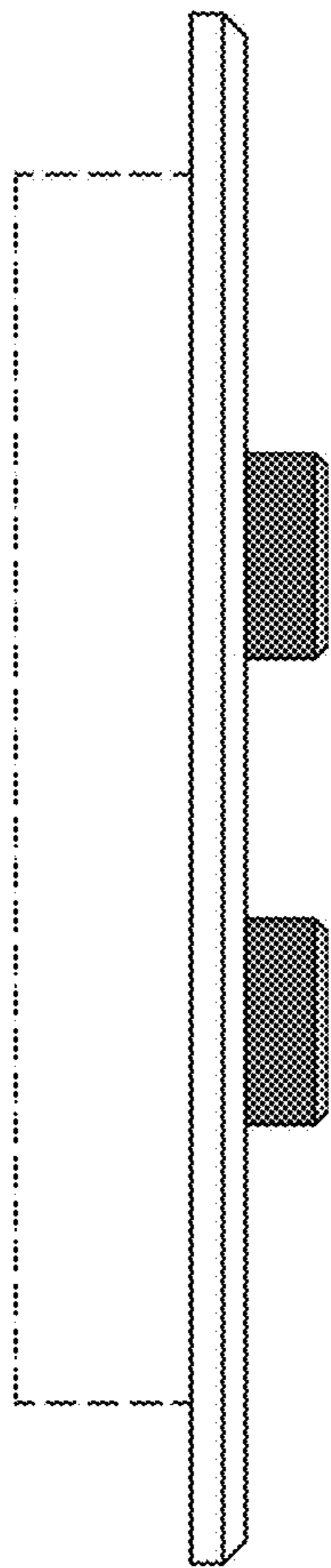


FIG. 15

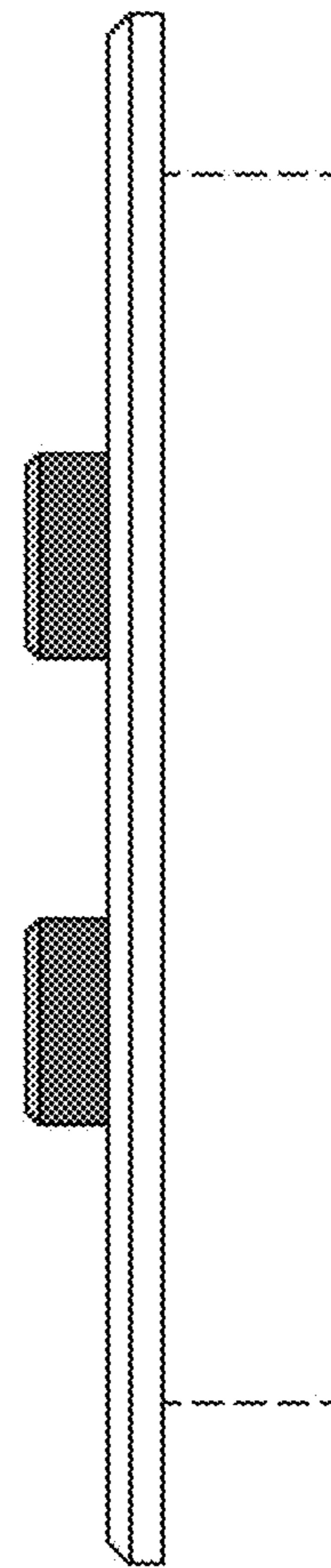


FIG. 16

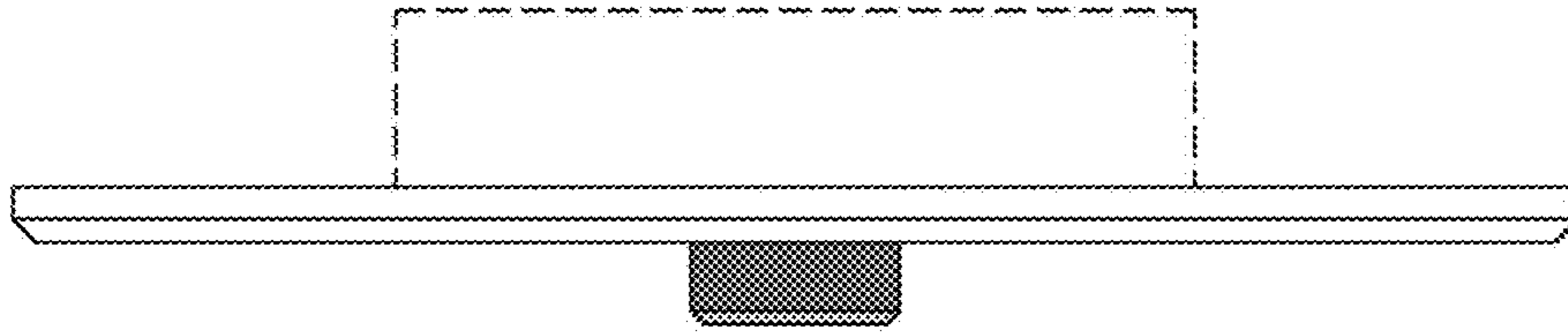


FIG. 17

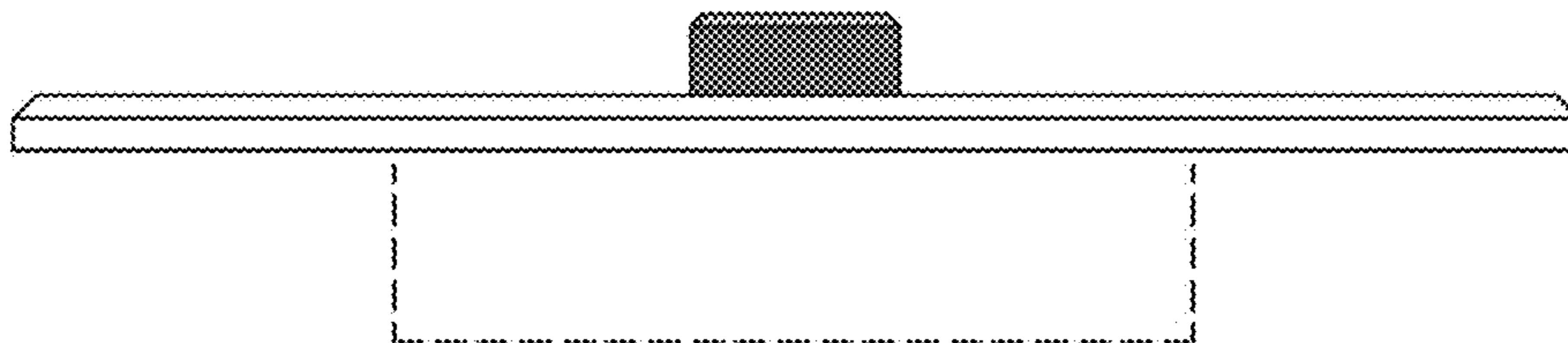


FIG. 18



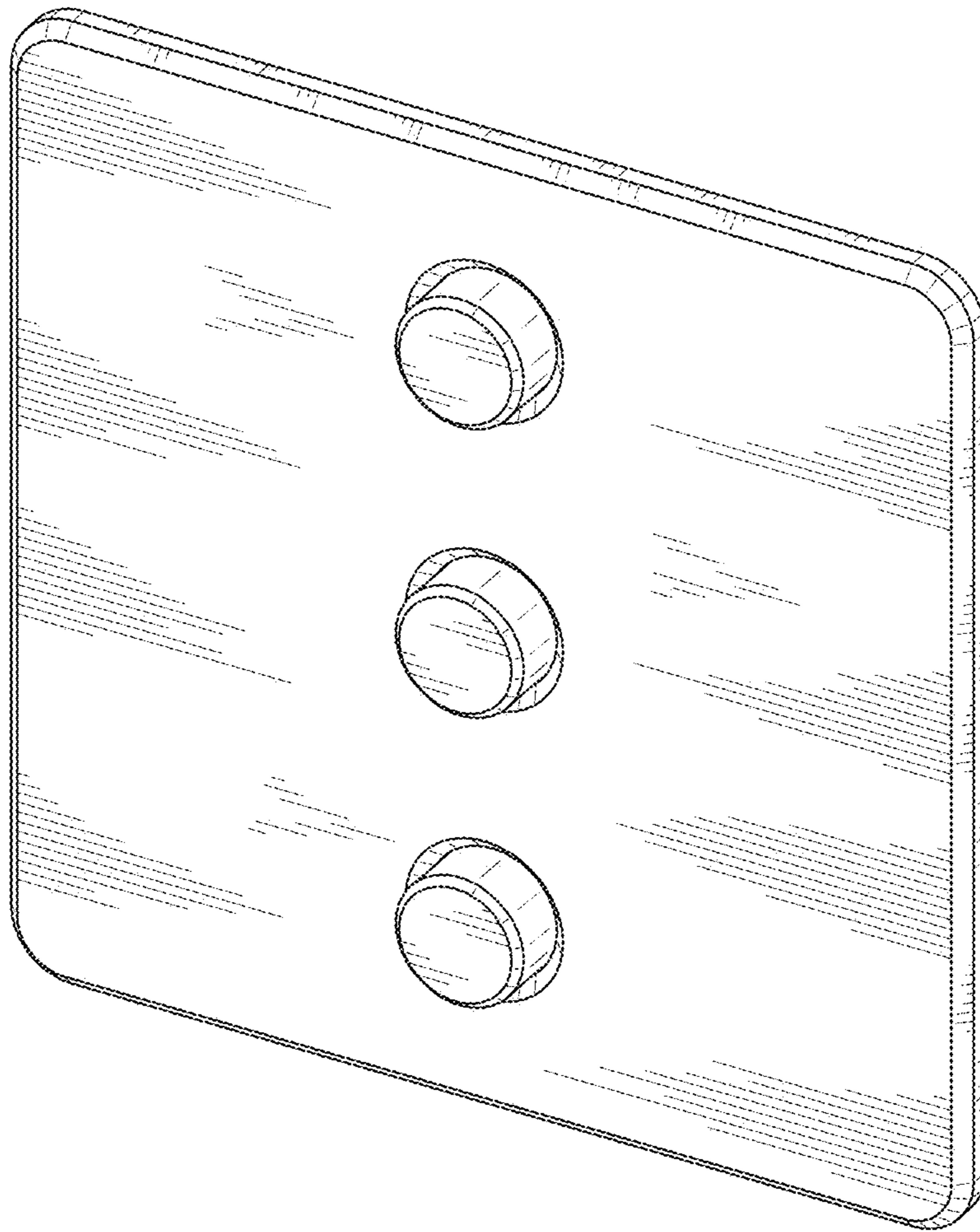


FIG. 19

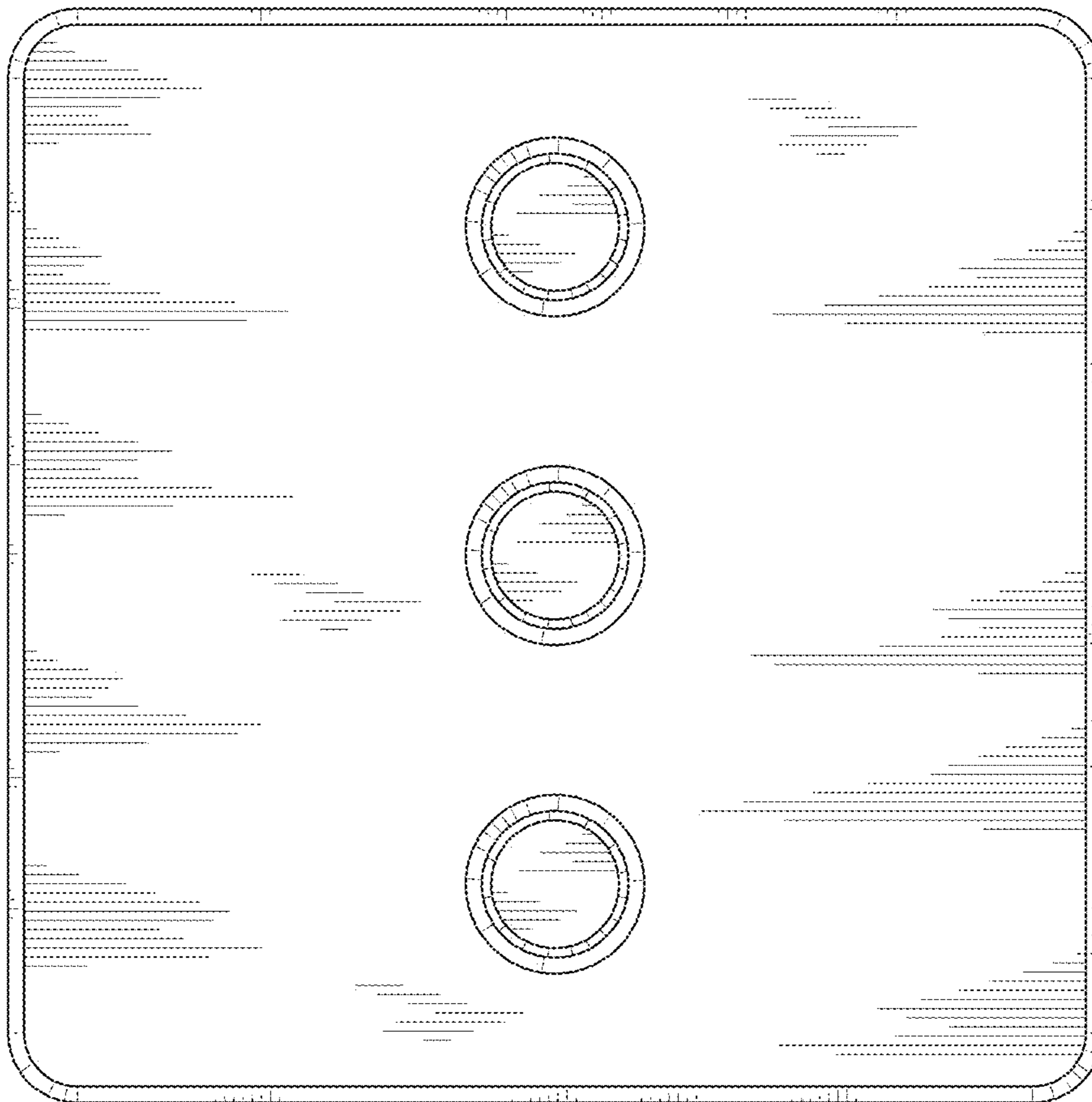


FIG. 20



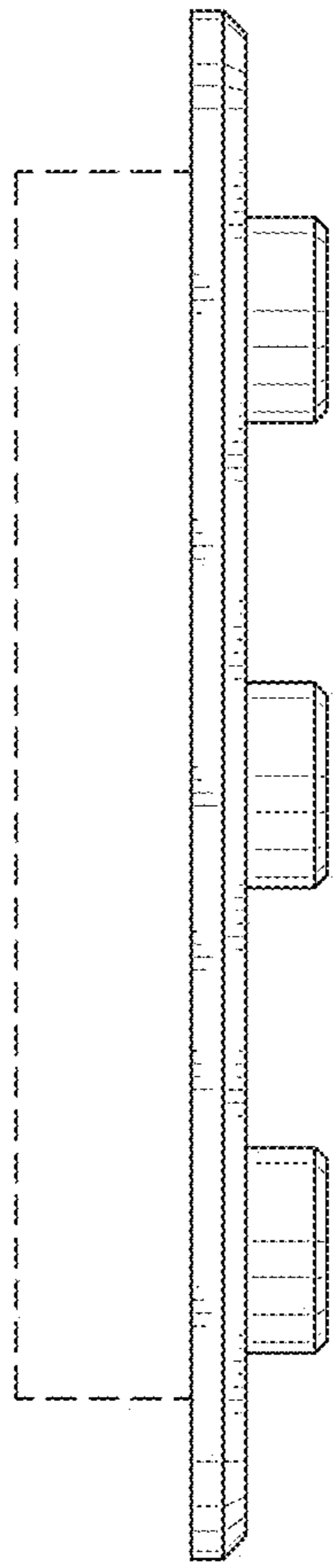


FIG. 21

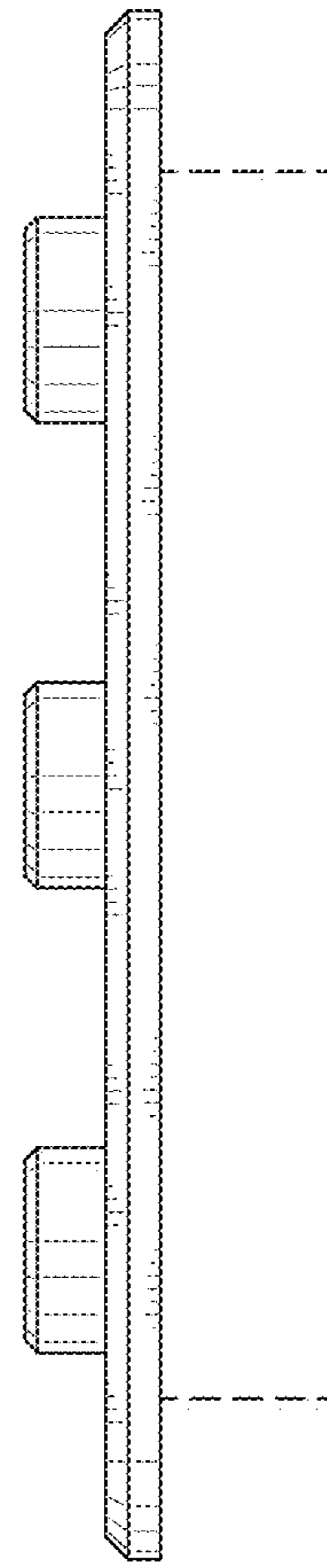


FIG. 22

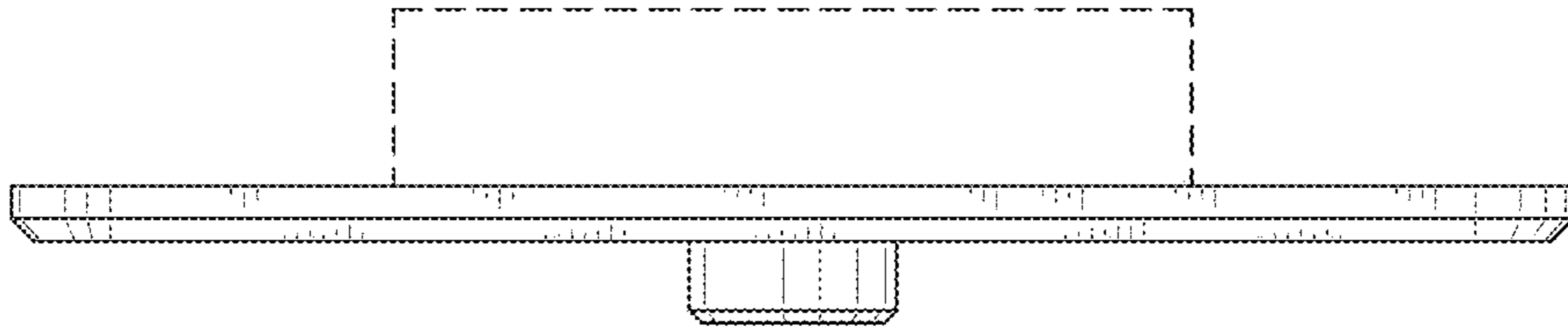


FIG. 23

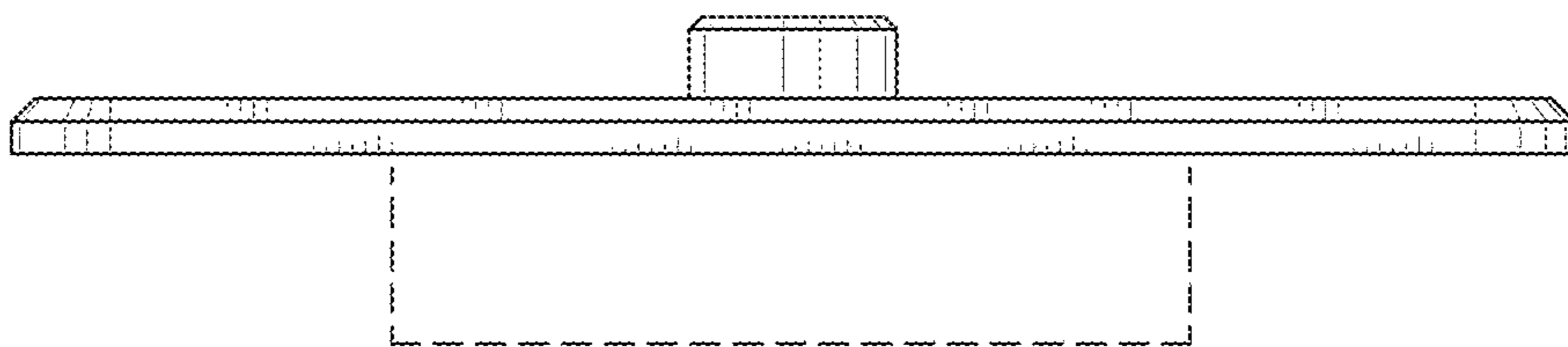


FIG. 24

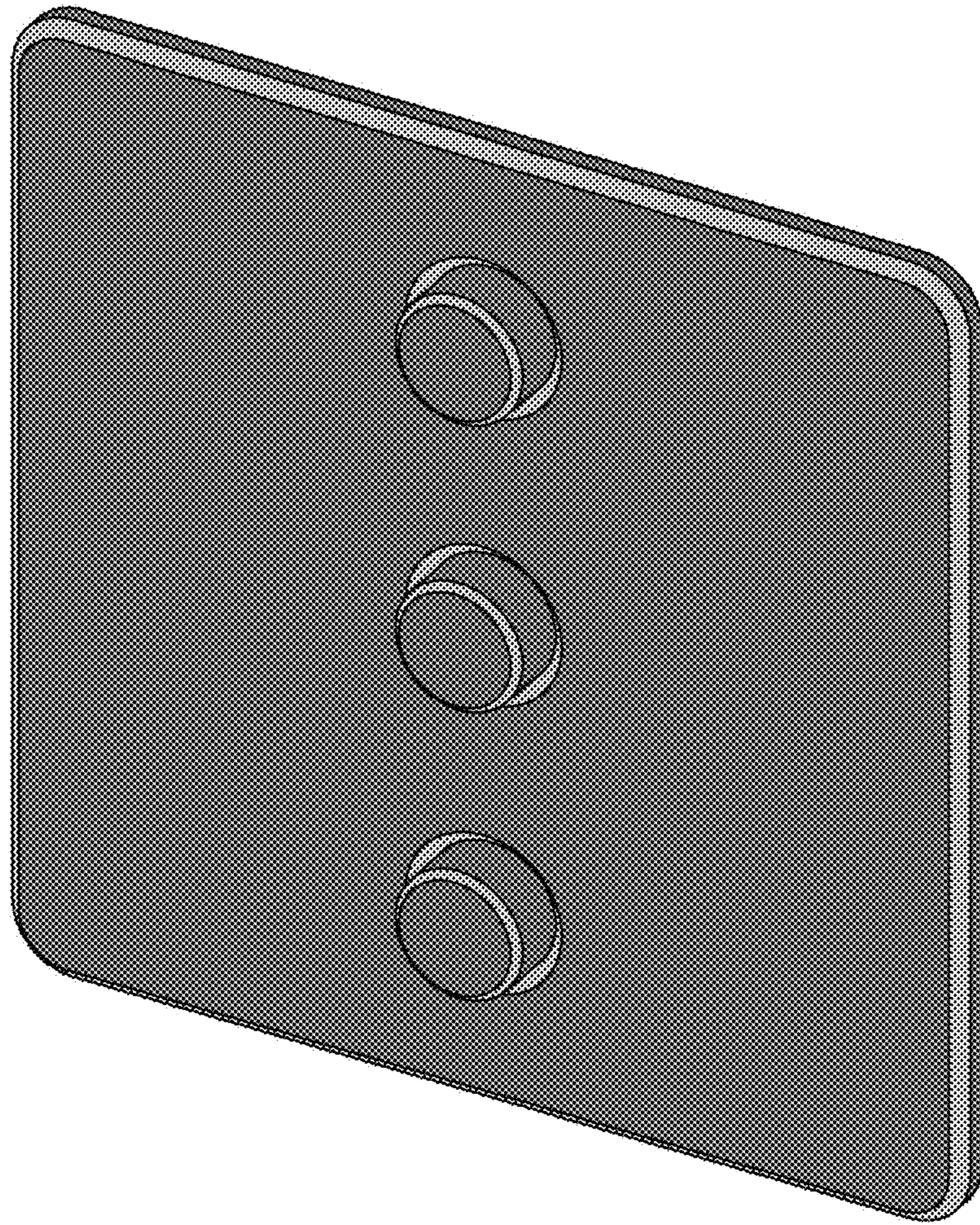


FIG. 25



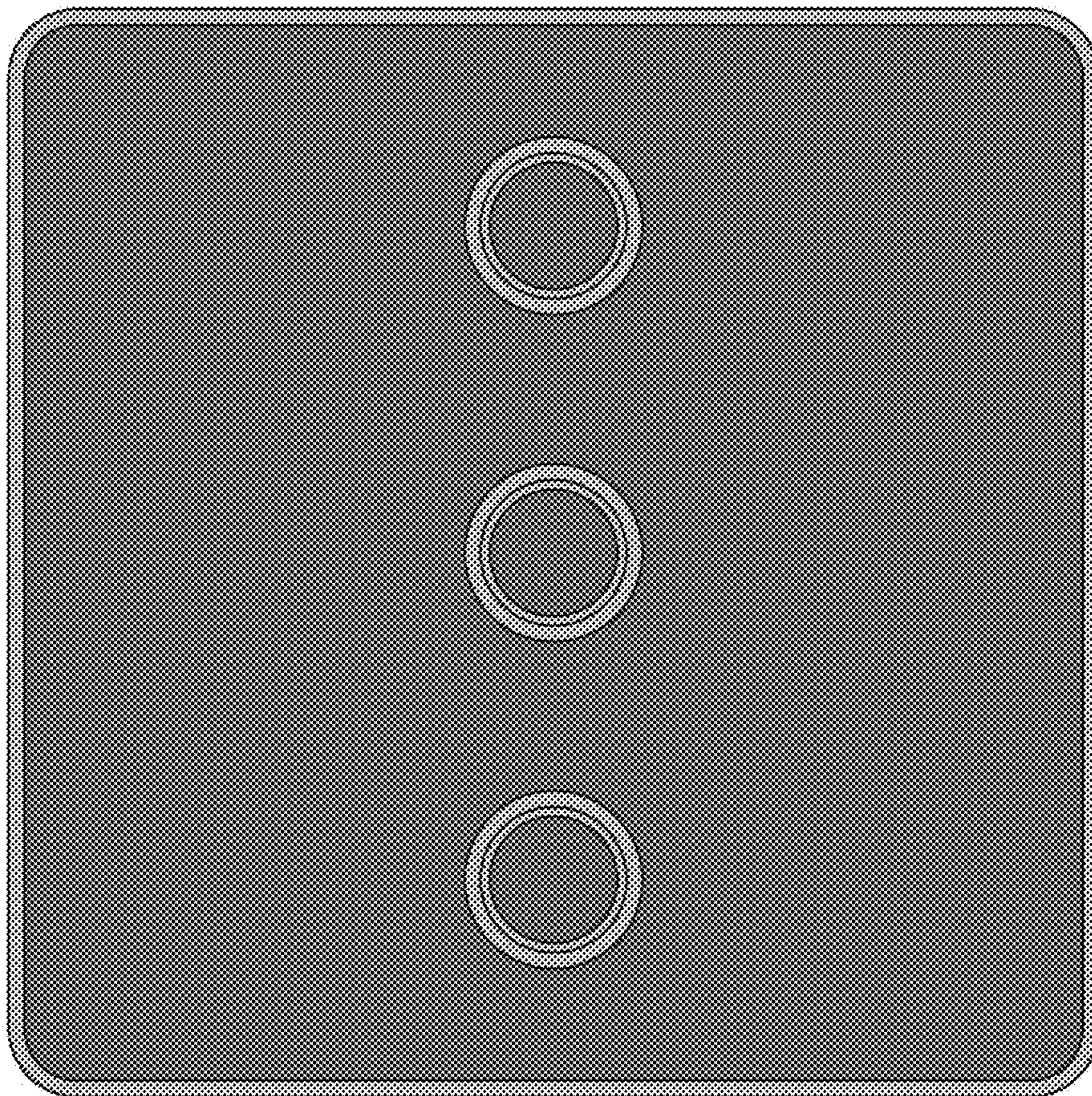


FIG. 26



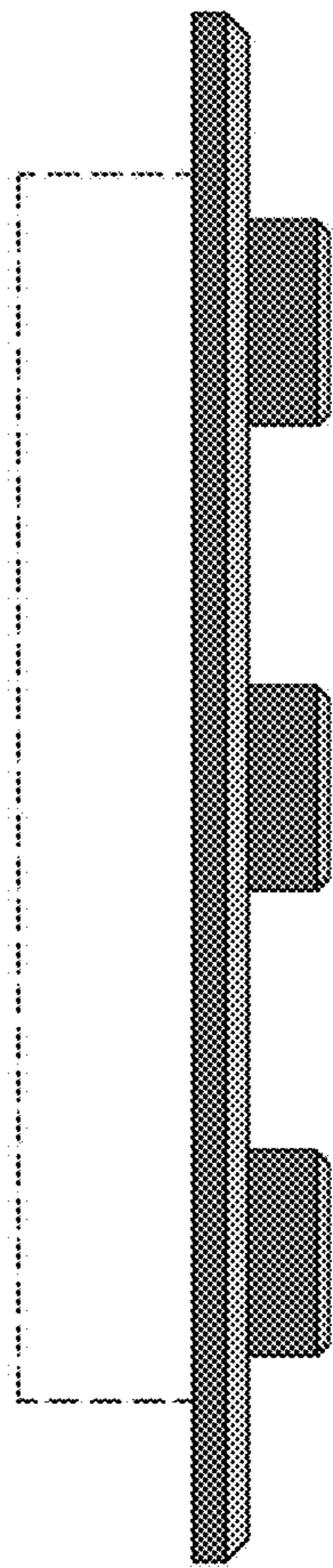


FIG. 27

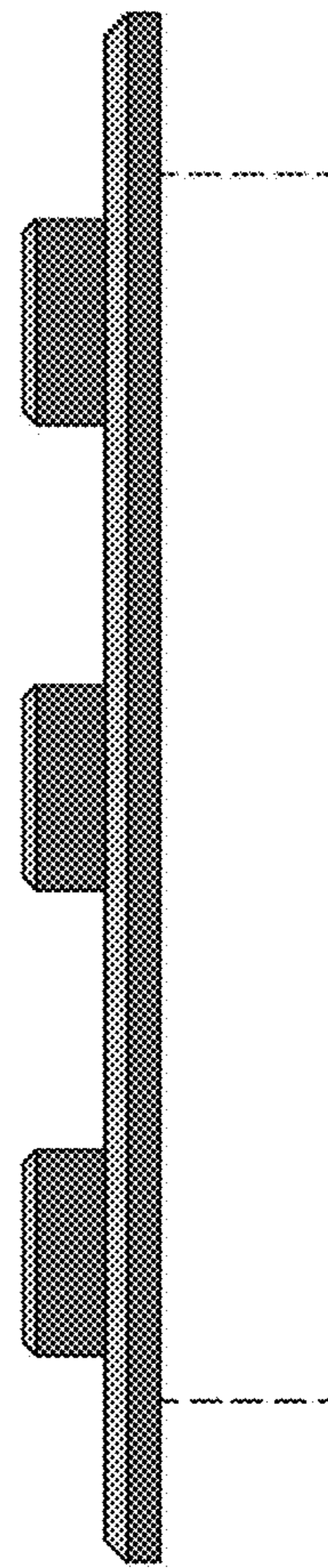


FIG. 28

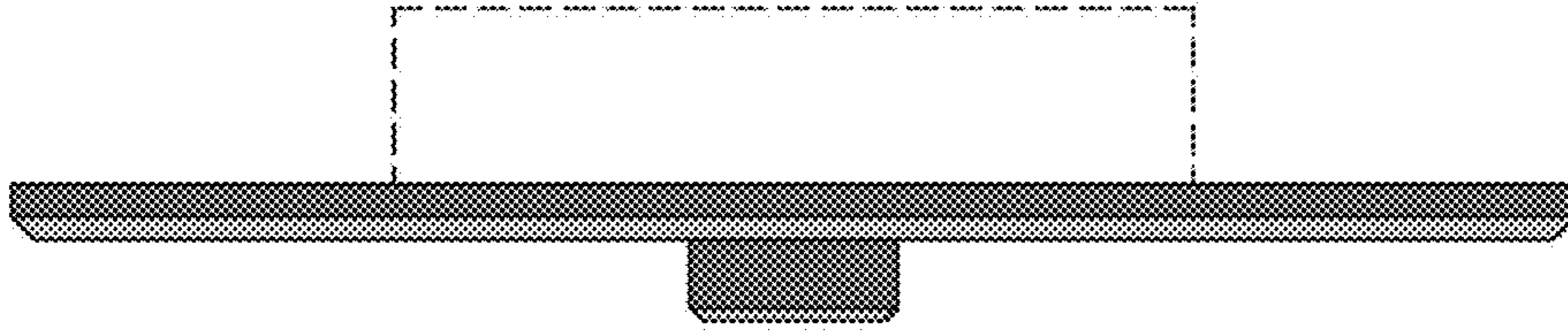


FIG. 29

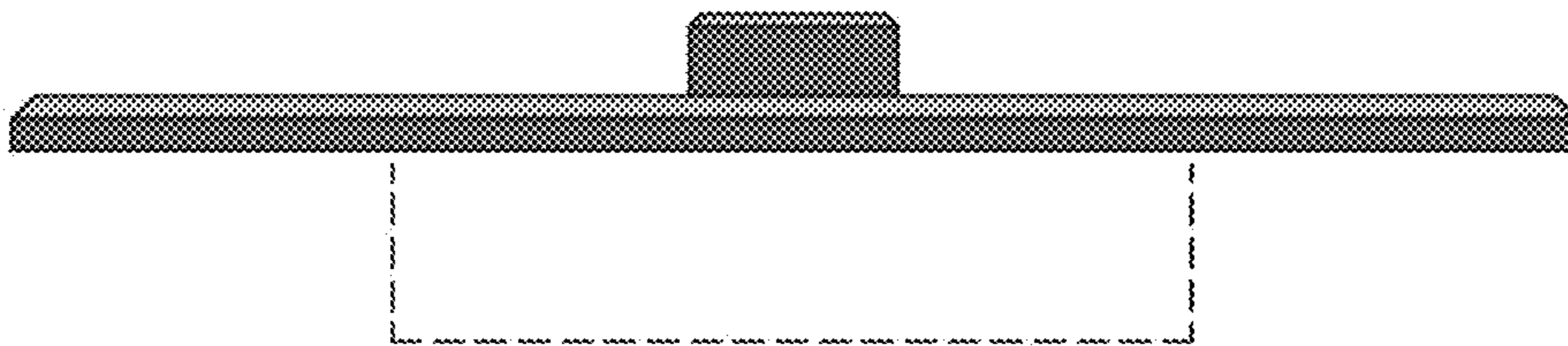


FIG. 30



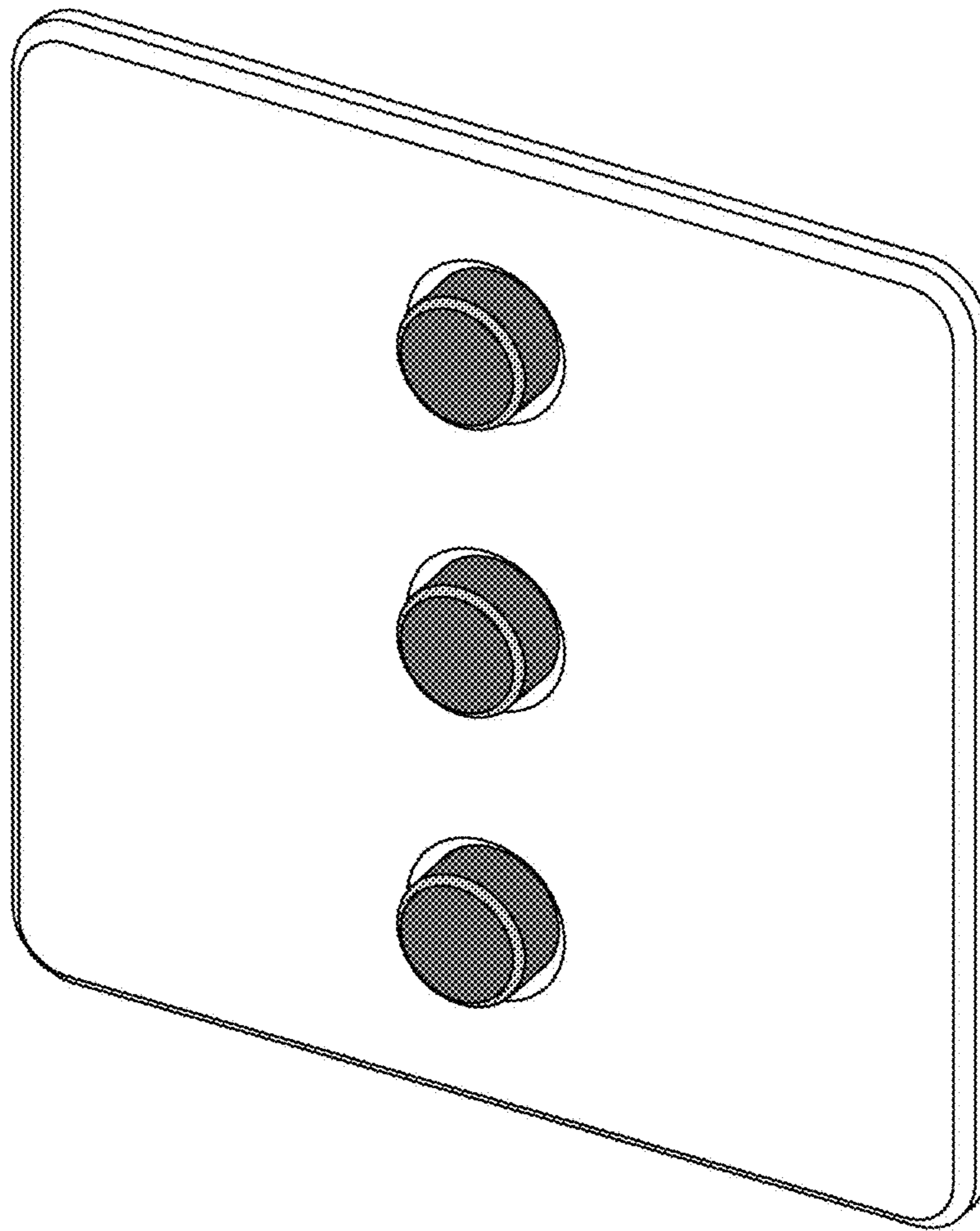


FIG. 31

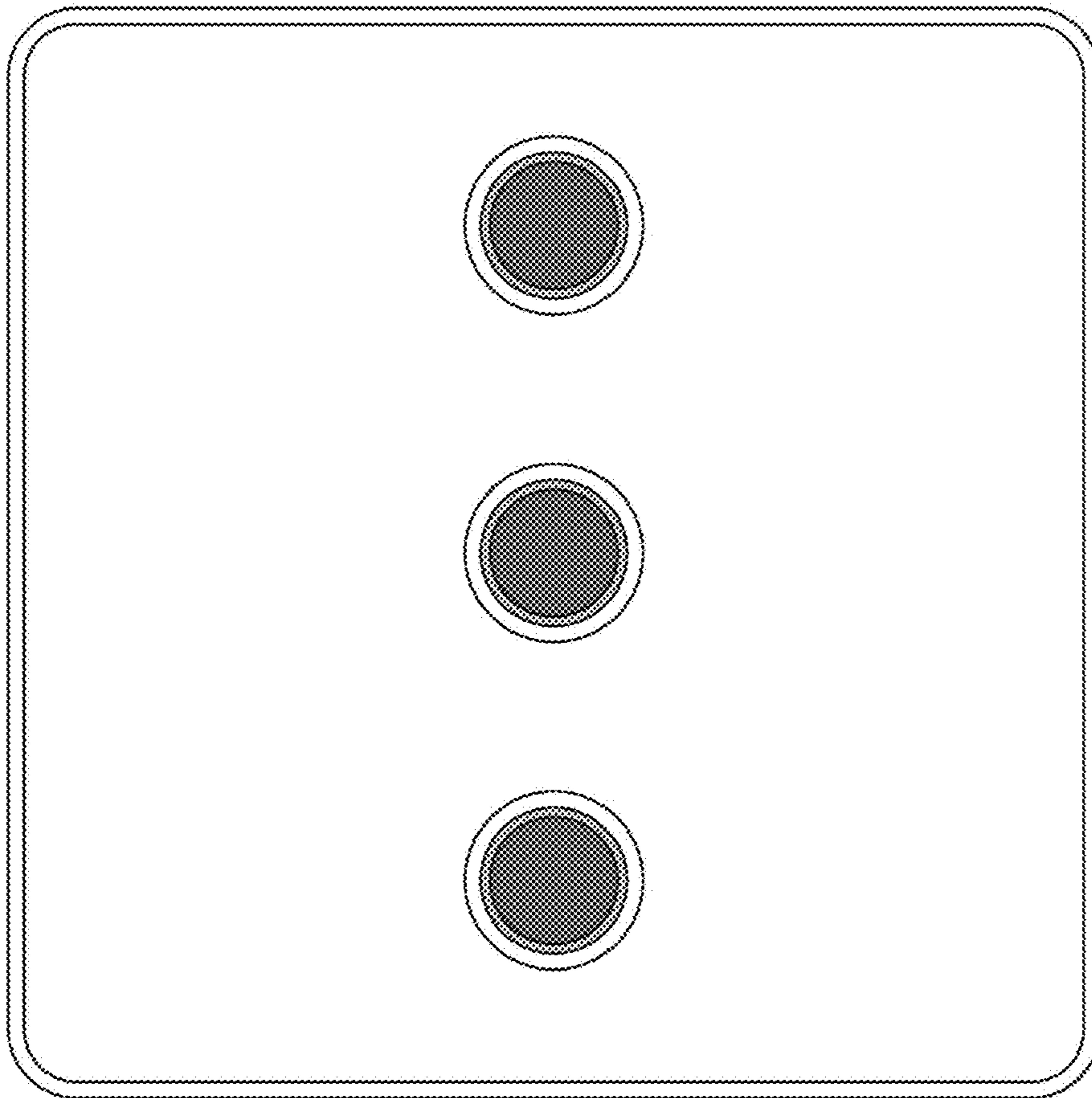


FIG. 32

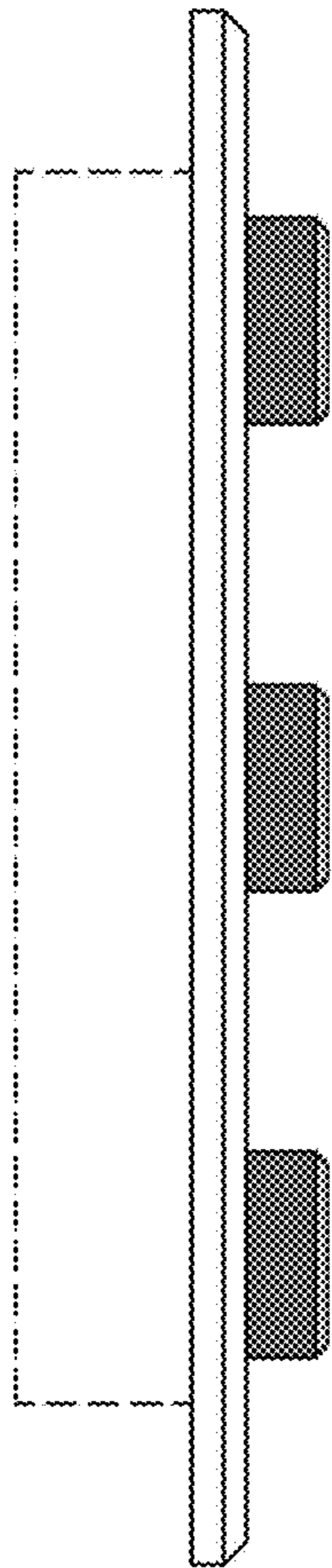


FIG. 33

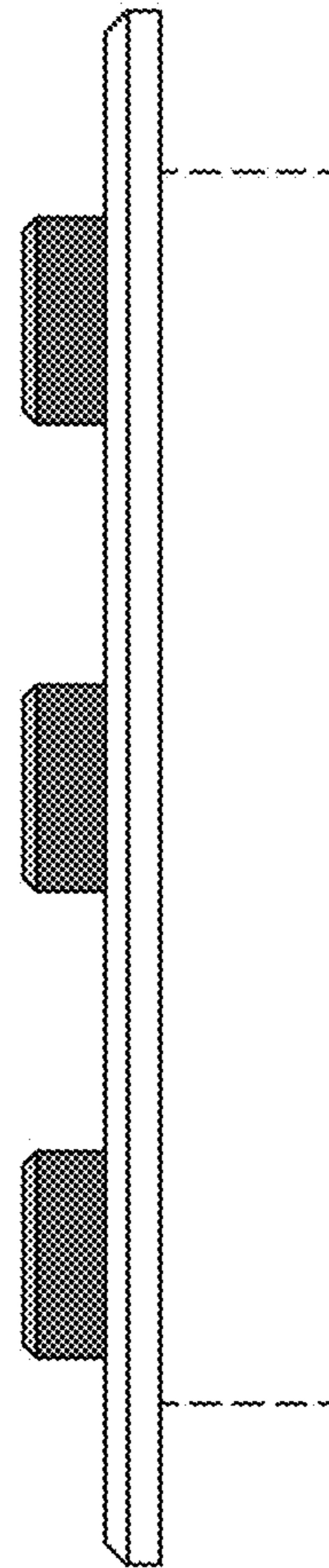


FIG. 34



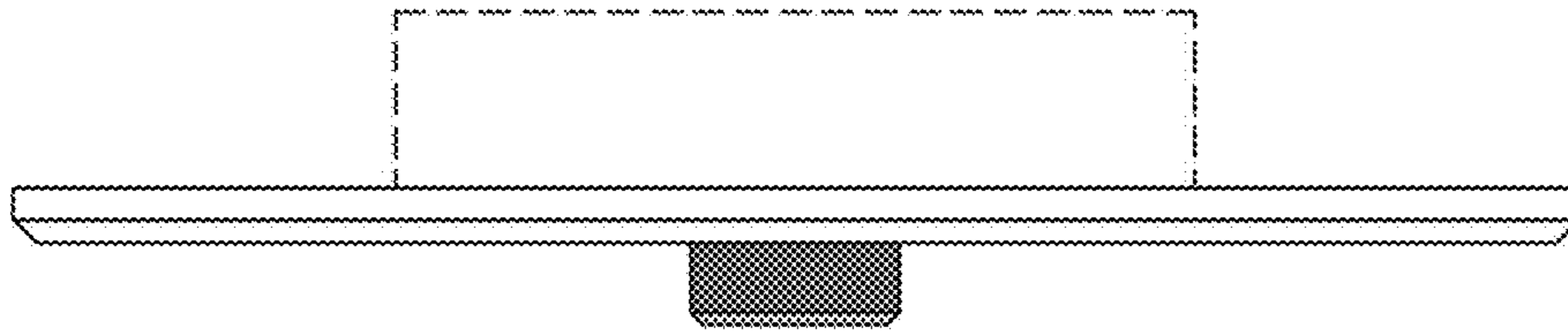


FIG. 35

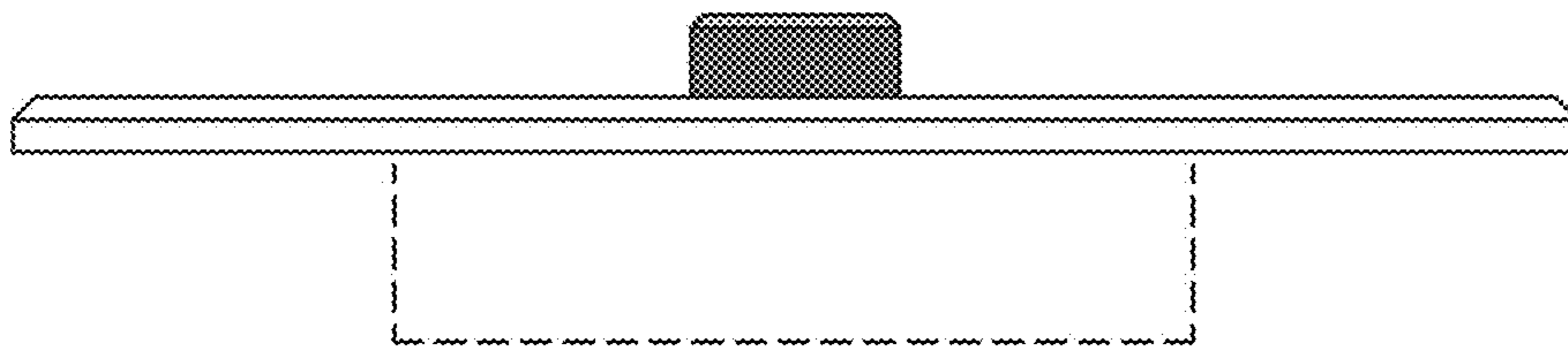


FIG. 36