



US00D921592S

(12) **United States Design Patent**  
**Ueda**

(10) **Patent No.:** **US D921,592 S**  
(45) **Date of Patent:** **\*\* Jun. 8, 2021**

(54) **CONNECTOR**

(71) Applicant: **Japan Aviation Electronics Industry, Limited, Tokyo (JP)**

(72) Inventor: **Kouhei Ueda, Tokyo (JP)**

(73) Assignee: **JAPAN AVIATION ELECTRONICS INDUSTRY, LIMITED, Tokyo (JP)**

(\*\*) Term: **15 Years**

(21) Appl. No.: **29/721,781**

(22) Filed: **Jan. 23, 2020**

(30) **Foreign Application Priority Data**

Aug. 5, 2019 (JP) ..... 2019-017433

(51) **LOC (13) Cl.** ..... **13-03**

(52) **U.S. Cl.**  
USPC ..... **D13/147**

(58) **Field of Classification Search**

USPC ..... D13/147, 146, 133, 154, 118, 110, 101,  
D13/123, 184, 199, 153, 155, 156;  
D14/356, 433, 432, 435.1, 182, 435, 199,  
D14/149

CPC .... H01R 24/60; H01R 24/70; H01R 13/5205;  
H01R 13/5219; H01R 13/642; H01R  
13/6471; H01R 13/6581; H01R 13/6582;  
H01R 13/6591; H01R 13/6596

See application file for complete search history.

(56) **References Cited**

**U.S. PATENT DOCUMENTS**

D744,430 S \* 12/2015 Yokoyama ..... D13/147  
D797,063 S \* 9/2017 Tsai ..... D13/174  
D825,473 S \* 8/2018 Kurosawa ..... D13/147  
D867,301 S \* 11/2019 Saitou ..... D13/147  
2016/0013595 A1\* 1/2016 Kao ..... H01R 13/6474  
439/607.55  
2016/0294130 A1\* 10/2016 Guo ..... H01R 24/60

2016/0322759 A1\* 11/2016 Park ..... H01R 13/6585  
2016/0352050 A1\* 12/2016 Hu ..... H01R 13/648  
2017/0110812 A1\* 4/2017 Tsai ..... H01R 12/57  
2017/0141495 A1\* 5/2017 Cheng ..... H01R 13/405  
2017/0149172 A1\* 5/2017 Nishikata ..... H01R 13/41

(Continued)

**OTHER PUBLICATIONS**

105450-0101—USB Connector, Oct. 29, 2017, [online], [Site visited Oct. 19, 2020], Available from Internet URL: <https://www.amazon.com/dp/B076Z3D3TT/> (Year: 2017).\*

*Primary Examiner* — Susan Bennett Hattan

*Assistant Examiner* — Landon T Cassell

(74) *Attorney, Agent, or Firm* — Manabu Kanesaka

(57) **CLAIM**

The ornamental design for a connector, as shown and described.

**DESCRIPTION**

FIG. 1 is a front elevational view of a connector showing my new design;

FIG. 2 is a rear elevational view thereof;

FIG. 3 is a right side elevational view thereof;

FIG. 4 is a left side elevational view thereof;

FIG. 5 is a top plan view thereof;

FIG. 6 is a bottom plan view thereof;

FIG. 7 is a perspective view showing a front, top and right side thereof;

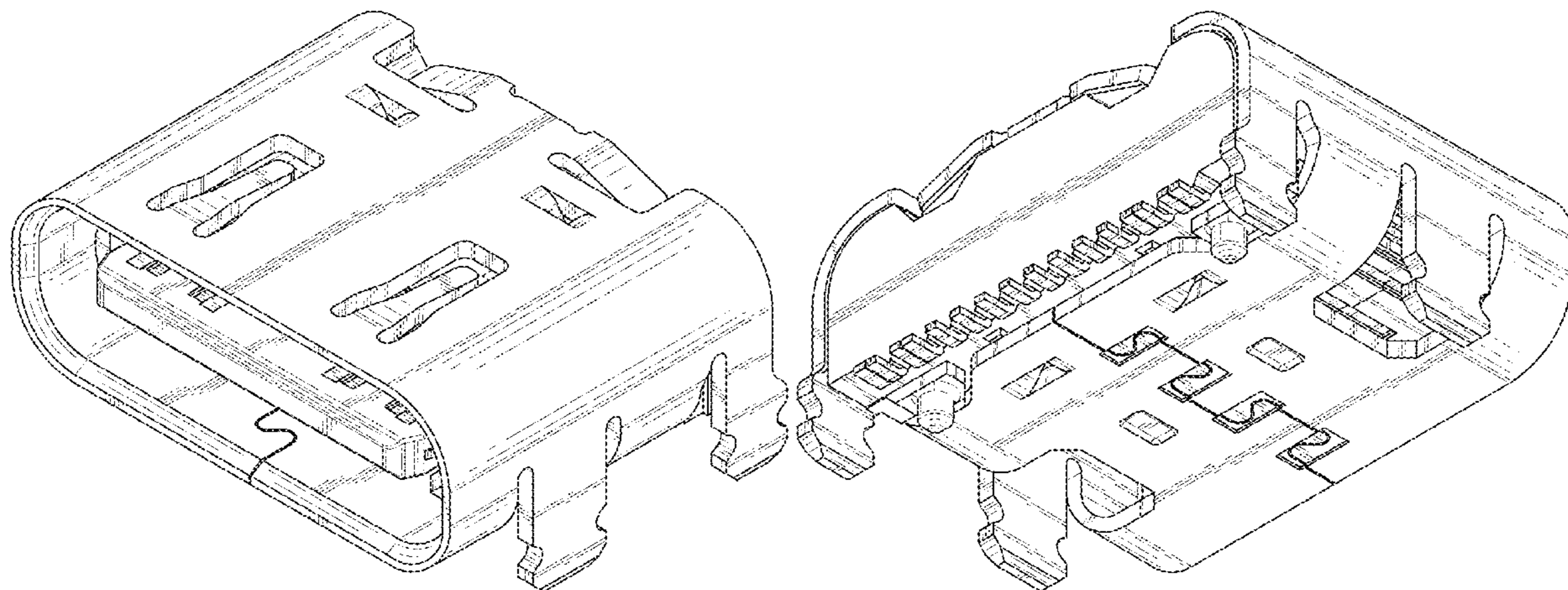
FIG. 8 is a perspective view showing a rear, bottom and left side thereof;

FIG. 9 is a perspective view showing a front, right and bottom side thereof; and,

FIG. 10 is a perspective view showing a rear, left and top side thereof.

The broken line showing of the connector is for the purpose of illustrating portions of the article and forms no part of the claimed design.

**1 Claim, 10 Drawing Sheets**



(56)

**References Cited**

U.S. PATENT DOCUMENTS

2017/0237195 A1\* 8/2017 Oguro ..... H01R 24/60  
439/607.01  
2017/0338576 A1\* 11/2017 Sato ..... H01R 12/721  
2017/0373444 A1\* 12/2017 Hu ..... H01R 13/6582  
2018/0076581 A1\* 3/2018 Tsai ..... H01R 24/60  
2018/0226740 A1\* 8/2018 Sato ..... H01R 13/405  
2019/0229470 A1\* 7/2019 Cheng ..... H01R 24/60  
2019/0326693 A1\* 10/2019 Tsai ..... H01R 13/642  
2020/0119497 A1\* 4/2020 Chou ..... H01R 13/6471  
2020/0136315 A1\* 4/2020 Tanaka ..... H01R 13/405  
2020/0244000 A1\* 7/2020 Naito ..... H01R 13/506  
2020/0313331 A1\* 10/2020 Oosaka ..... H01R 13/26  
2020/0313360 A1\* 10/2020 Oosaka ..... H01R 13/6273

\* cited by examiner

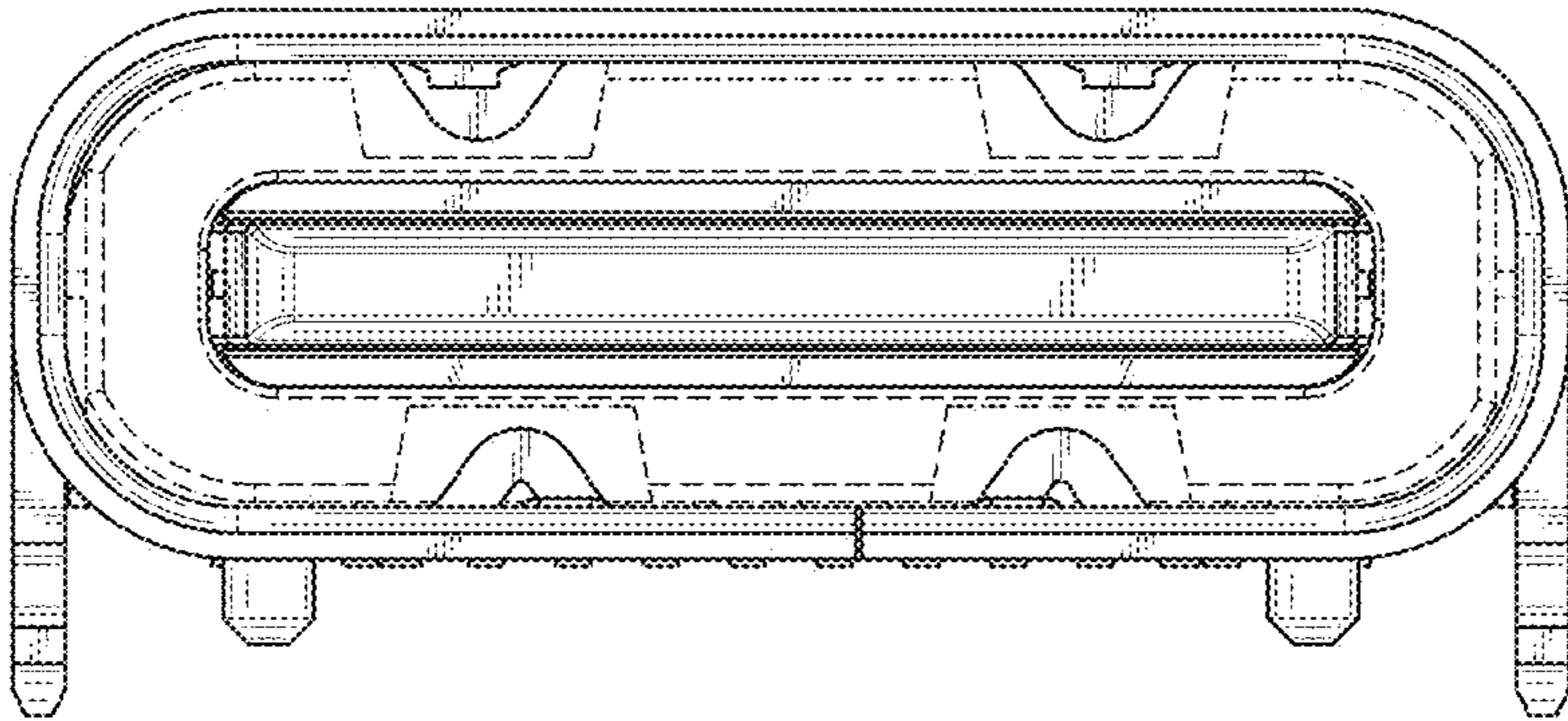


FIG. 1

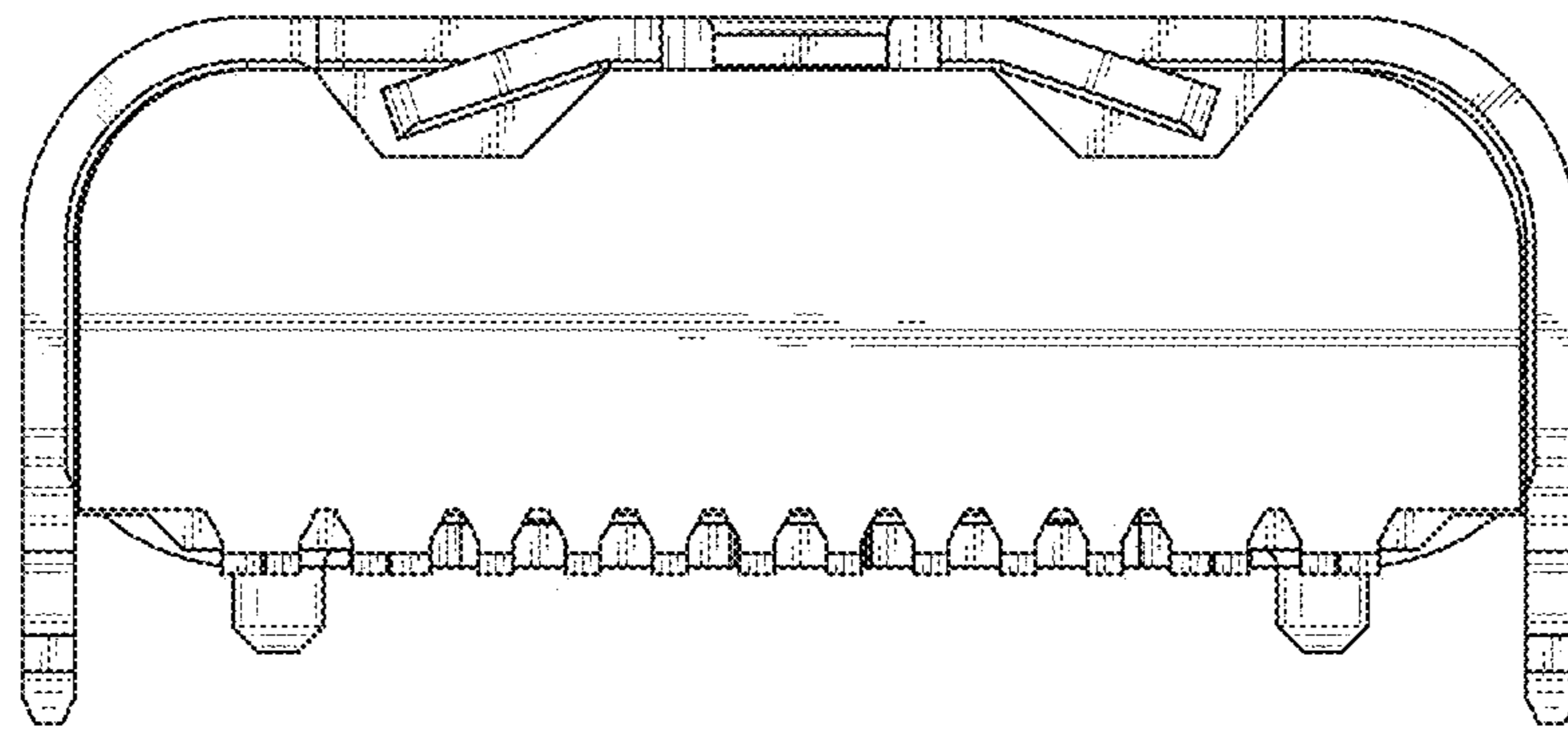


FIG. 2

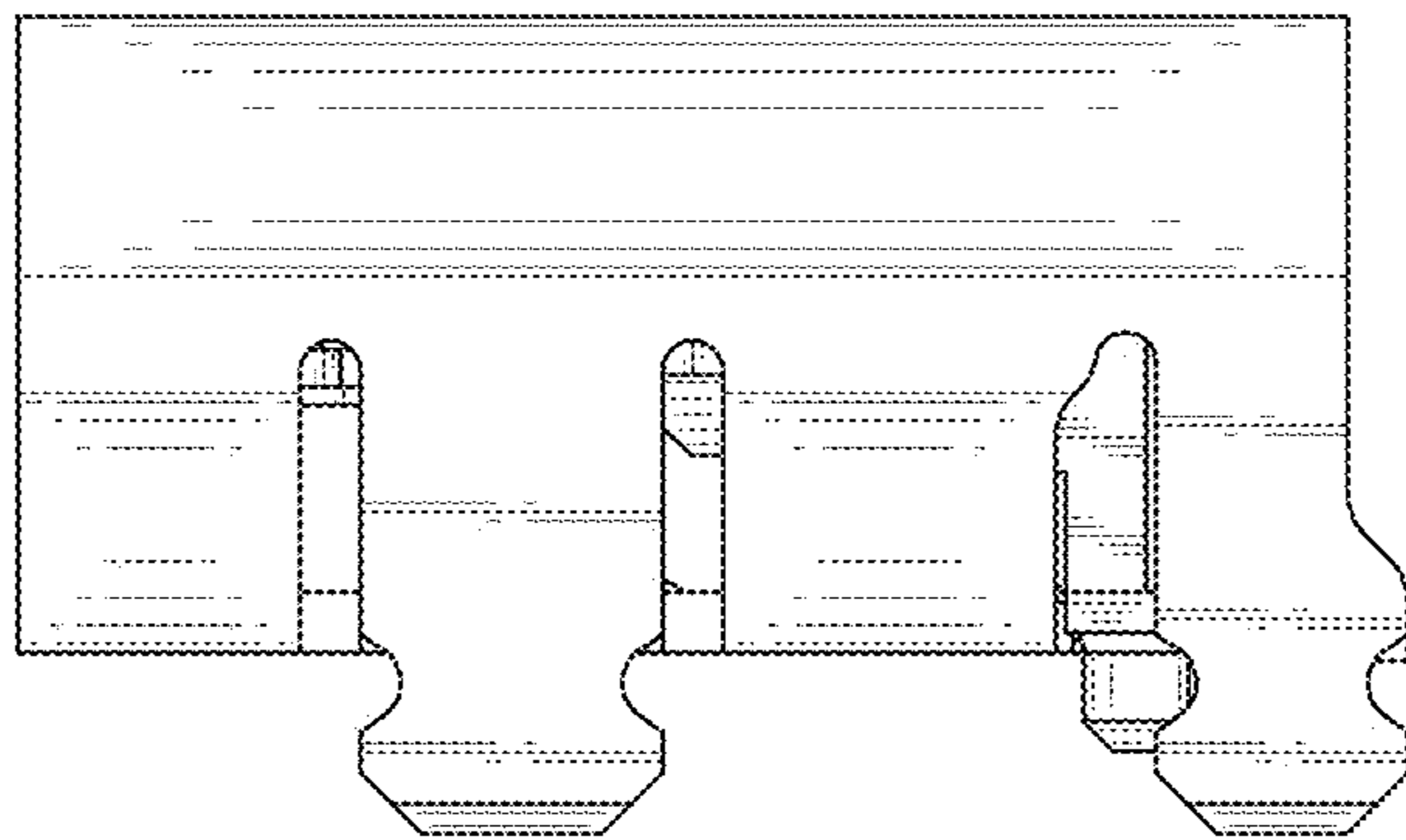


FIG. 3

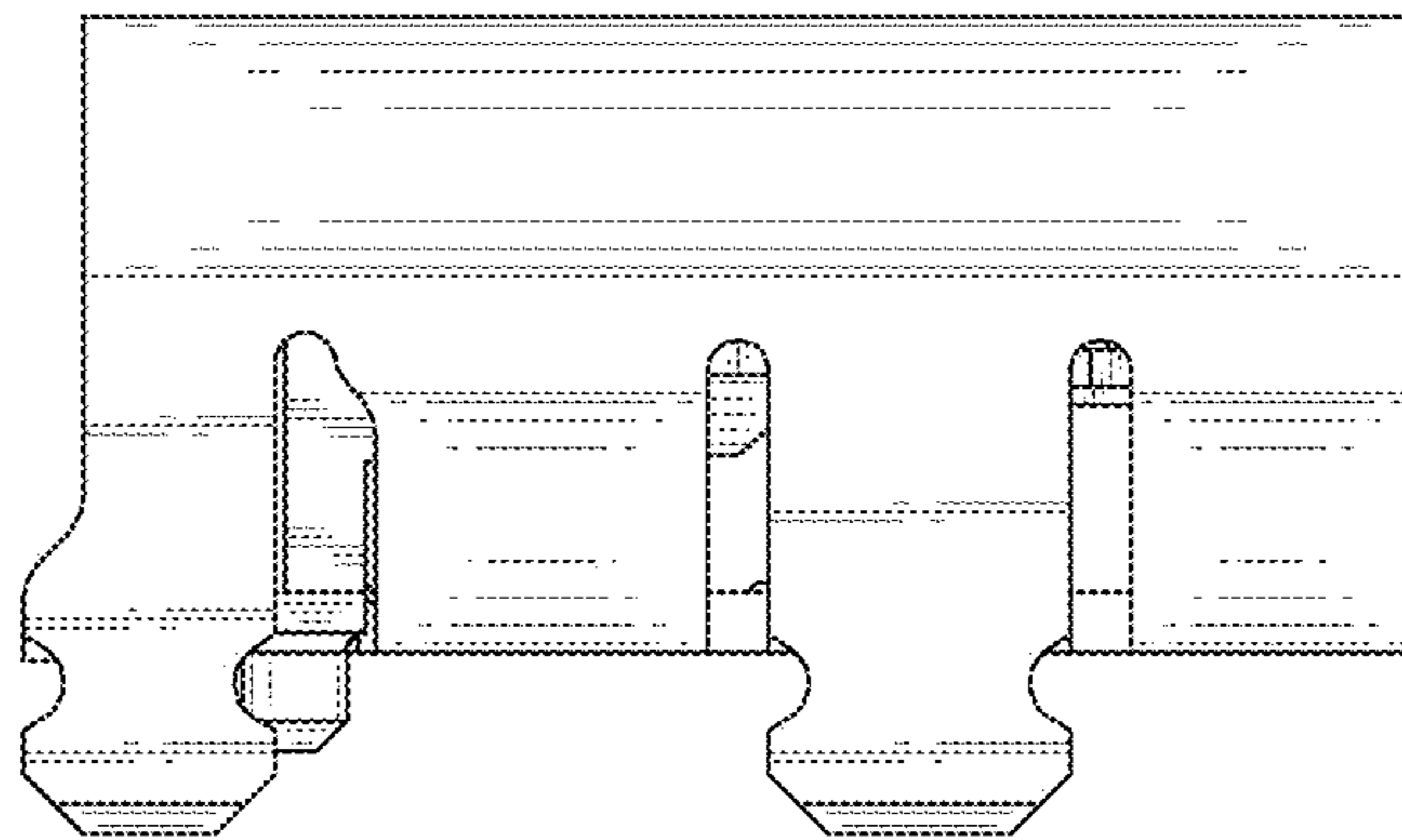


FIG. 4



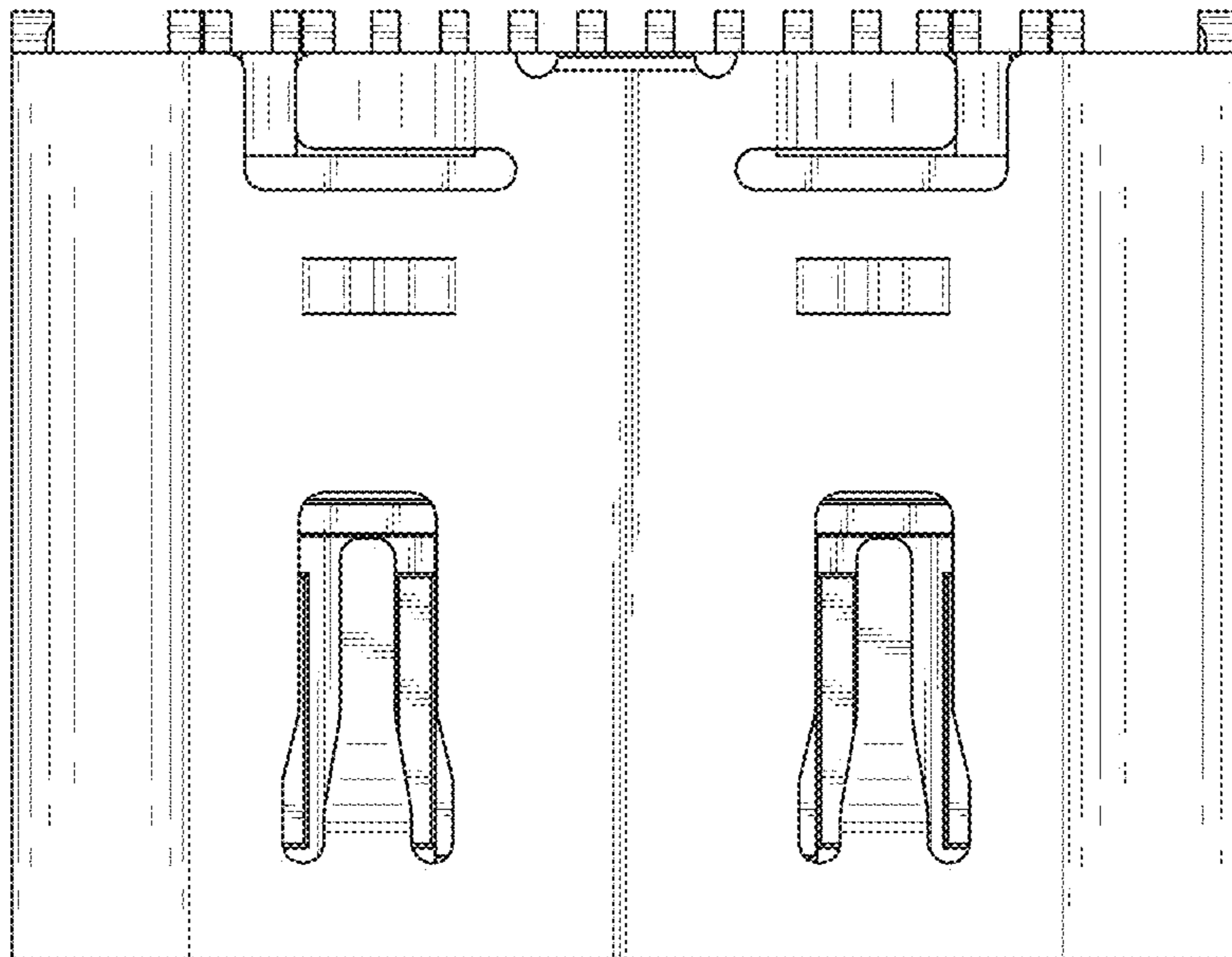


FIG. 5

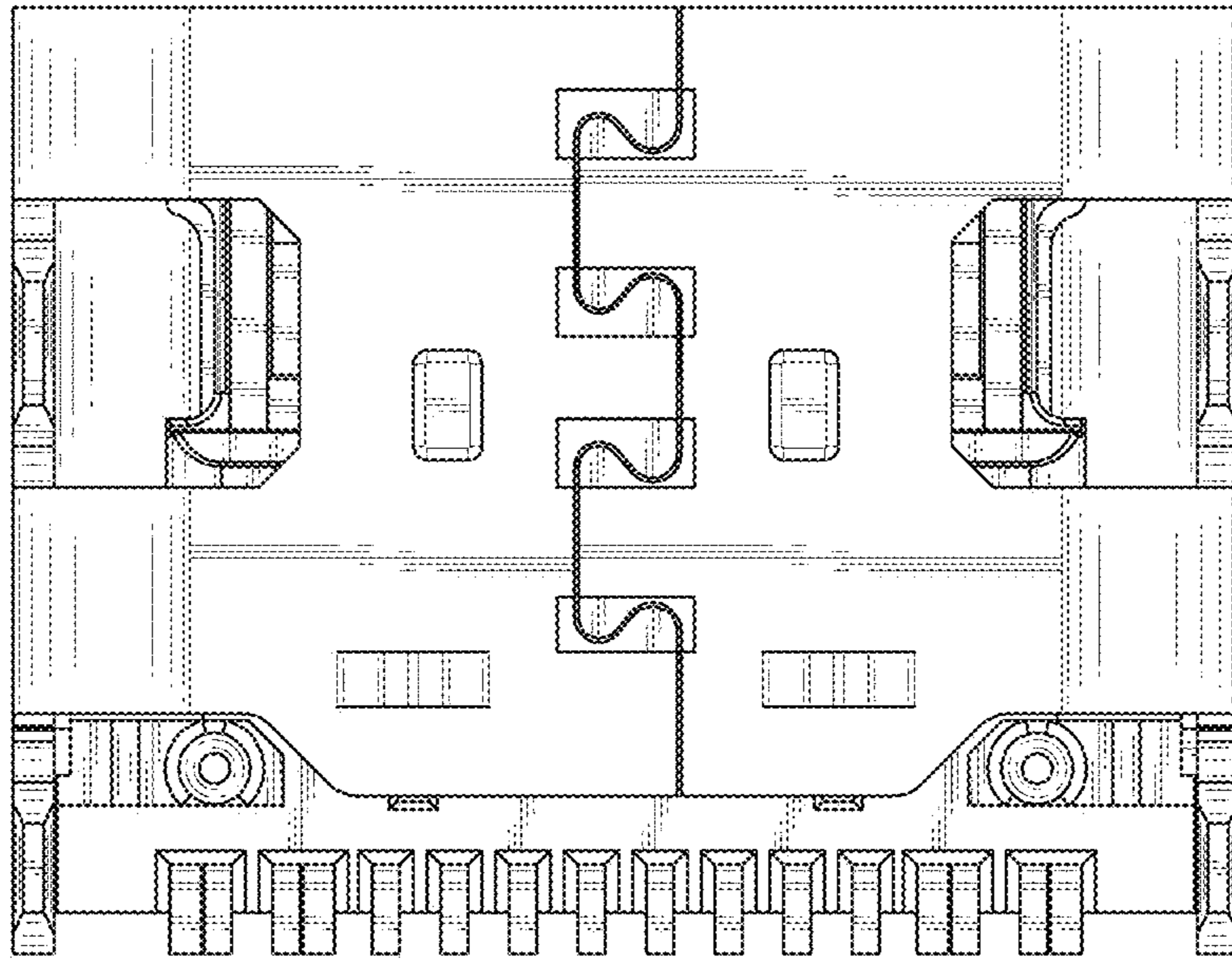


FIG. 6



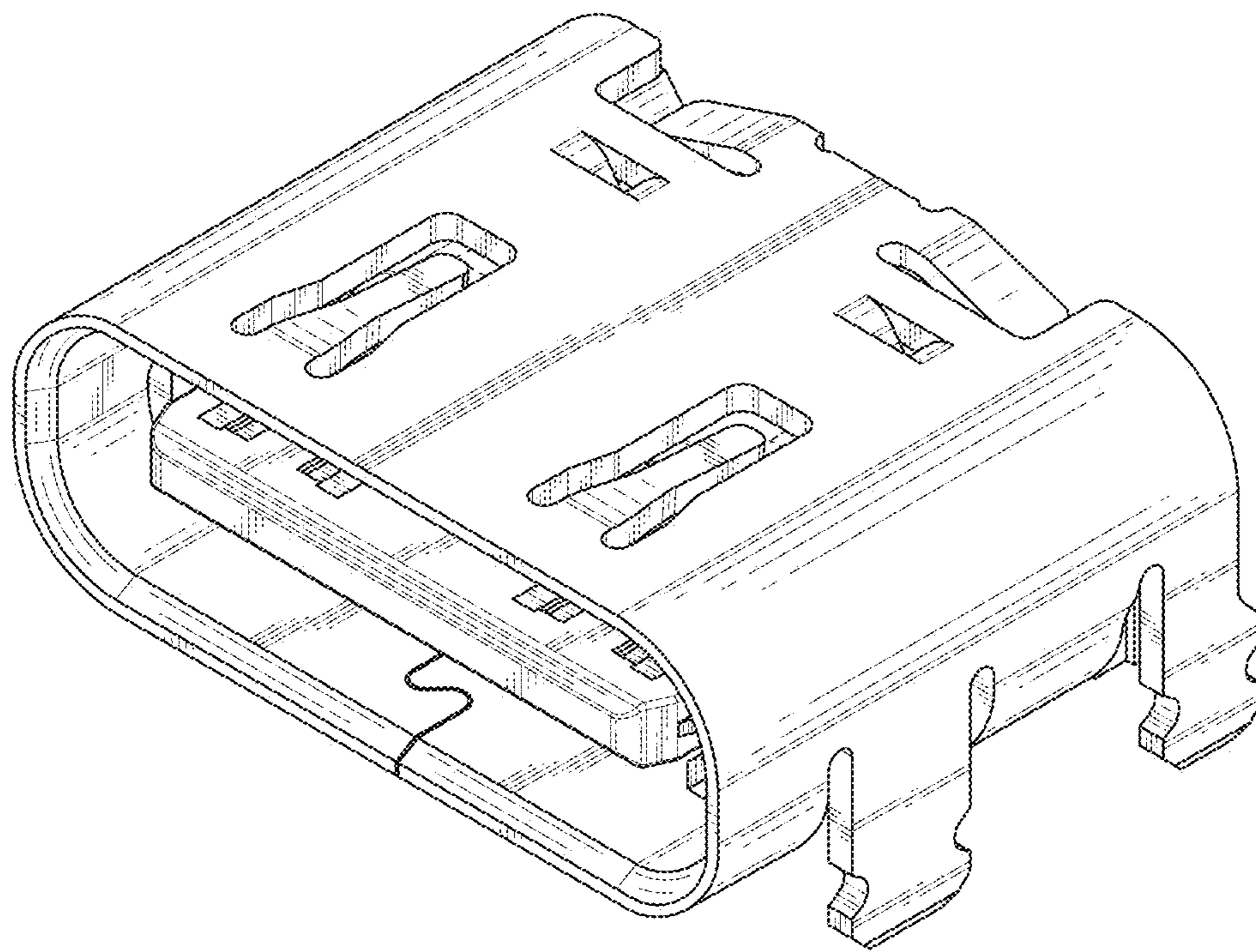


FIG. 7

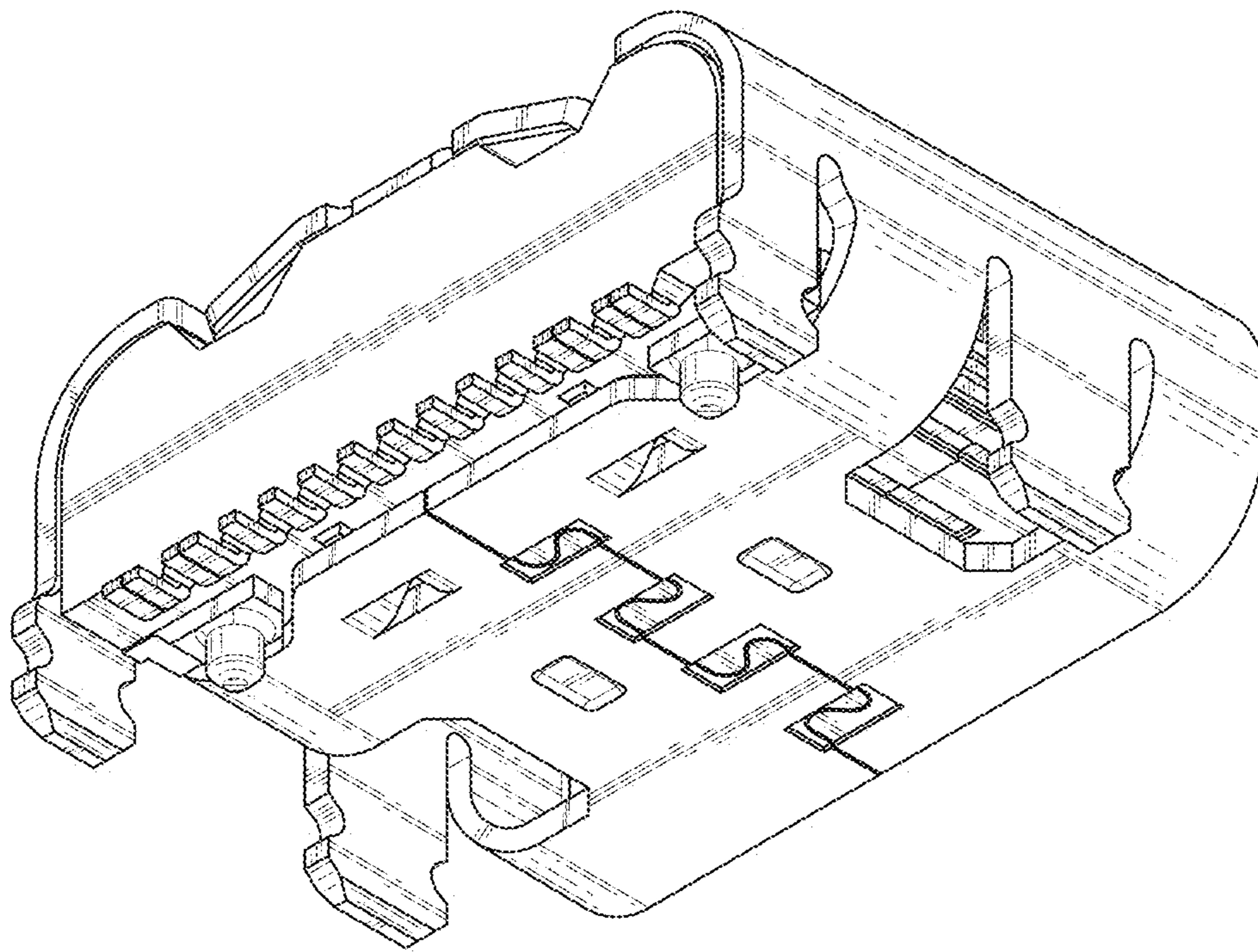


FIG. 8

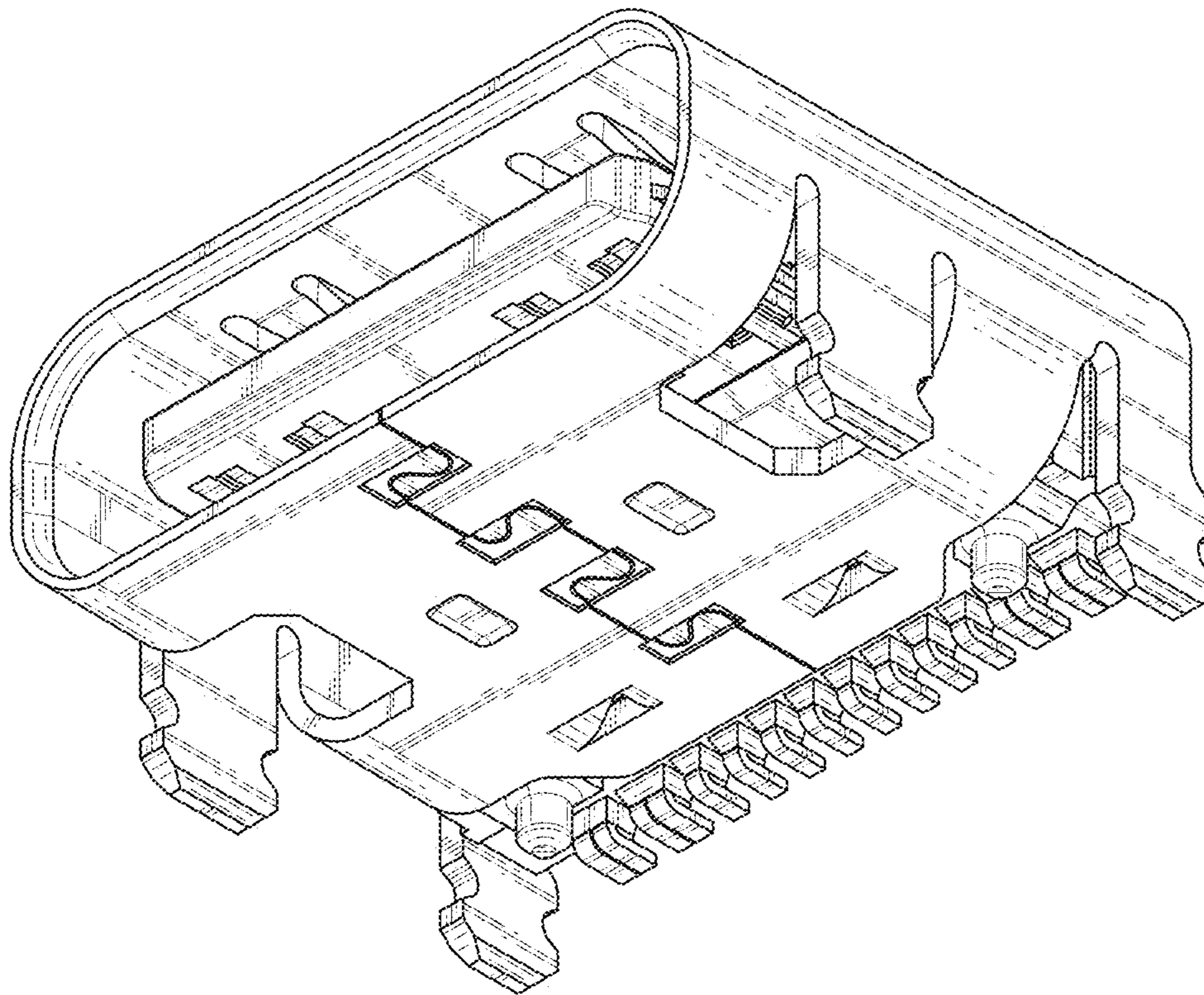


FIG. 9

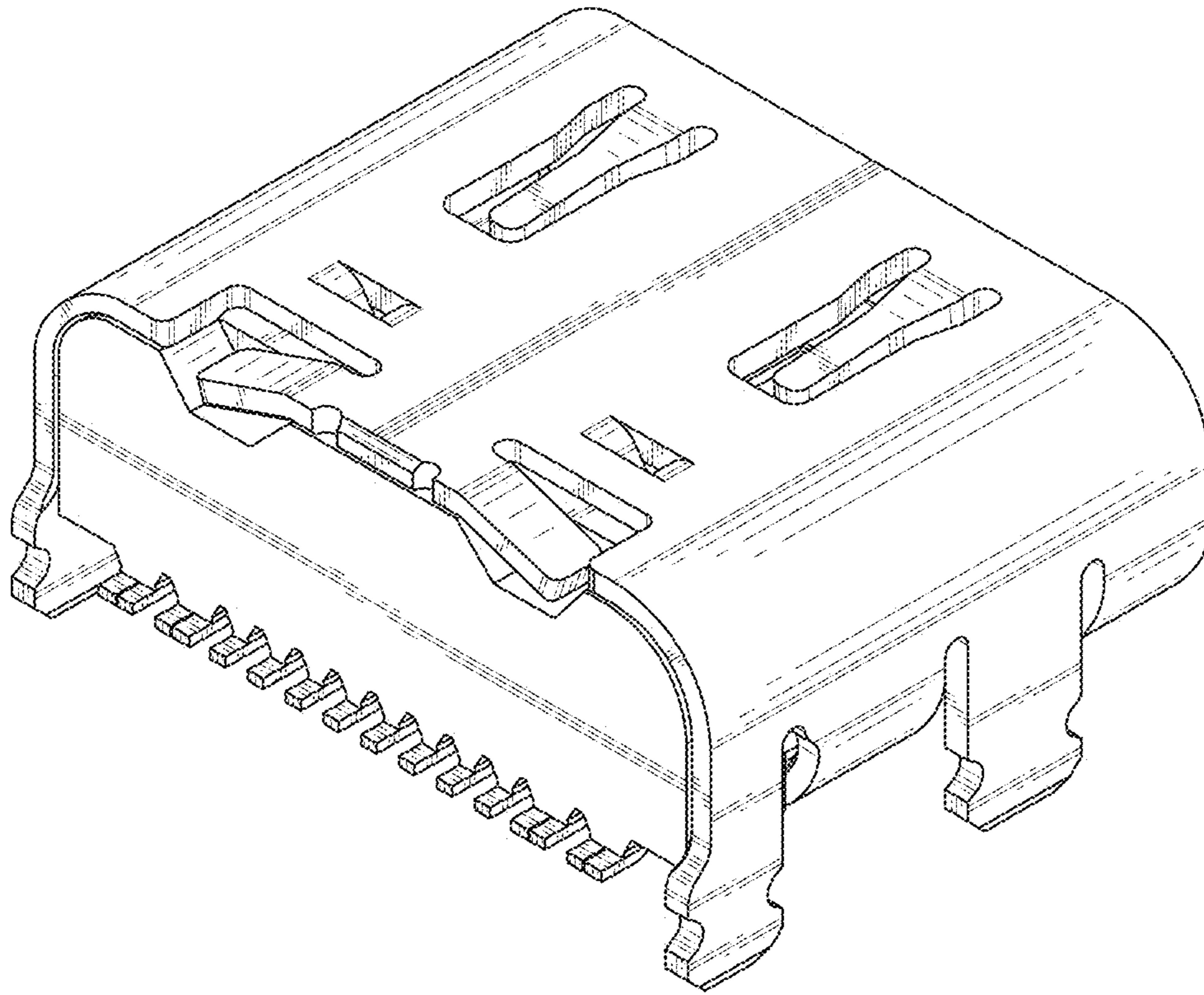


FIG. 10