



US00D921591S

(12) **United States Design Patent**
Obata et al.

(10) **Patent No.:** **US D921,591 S**
(45) **Date of Patent:** **** Jun. 8, 2021**

(54) **CONNECTOR**

(71) Applicant: **Japan Aviation Electronics Industry, Limited**, Tokyo (JP)

(72) Inventors: **Yusuke Obata**, Tokyo (JP); **Hiroaki Obikane**, Tokyo (JP)

(73) Assignee: **JAPAN AVIATION ELECTRONICS INDUSTRY, LIMITED**, Tokyo (JP)

(**) Term: **15 Years**

(21) Appl. No.: **29/690,112**

(22) Filed: **May 6, 2019**

(30) **Foreign Application Priority Data**

Nov. 20, 2018 (JP) 2018-025319

(51) **LOC (13) Cl.** **13-03**

(52) **U.S. Cl.**
USPC **D13/147**

(58) **Field of Classification Search**

USPC D13/103, 107, 118, 120, 133, 137.1, D13/139.7, 146, 147, 151, 152, 153-158, D13/173, 177, 184, 199; D14/217, 238.1, D14/240, 242, 432-434, 435.1, 436, 438, D14/439, 448, 479, 480.1, 480.5, 480.7, D14/484.1; D16/219, 237
CPC B60R 16/0239; B60R 1/072; B60R 1/088; B60R 2001/1253; B60R 2300/802; H01R 2107/00; H01R 12/716; H01R 43/26; H01B 7/18

See application file for complete search history.

(56) **References Cited**

U.S. PATENT DOCUMENTS

D308,513 S * 6/1990 Endo D13/147
D311,379 S * 10/1990 Kuzuno D13/147
D312,815 S * 12/1990 Yamamoto D13/147
D322,956 S * 1/1992 Takenouchi D13/146

(Continued)

FOREIGN PATENT DOCUMENTS

JP 1609827 S 7/2018

OTHER PUBLICATIONS

JAE Announces Launch of New Connector Line, Apr. 27, 2020, [online], [Site visited Sep. 30, 2020], Available from Internet URL: <https://www.jae.com/en/releases/detail/id=93029> (Year: 2020).*

(Continued)

Primary Examiner — Janice Hallmark

Assistant Examiner — Landon T Cassell

(74) *Attorney, Agent, or Firm* — Manabu Kanesaka

(57) **CLAIM**

The ornamental design for a connector, as shown and described.

DESCRIPTION

FIG. 1 is a front elevational view of a connector showing our new design;

FIG. 2 is a rear elevational view thereof;

FIG. 3 is a right side elevational view thereof;

FIG. 4 is a left side elevational view thereof;

FIG. 5 is a top plan view thereof;

FIG. 6 is a bottom plan view thereof;

FIG. 7 is a perspective view showing a front, top and right side thereof;

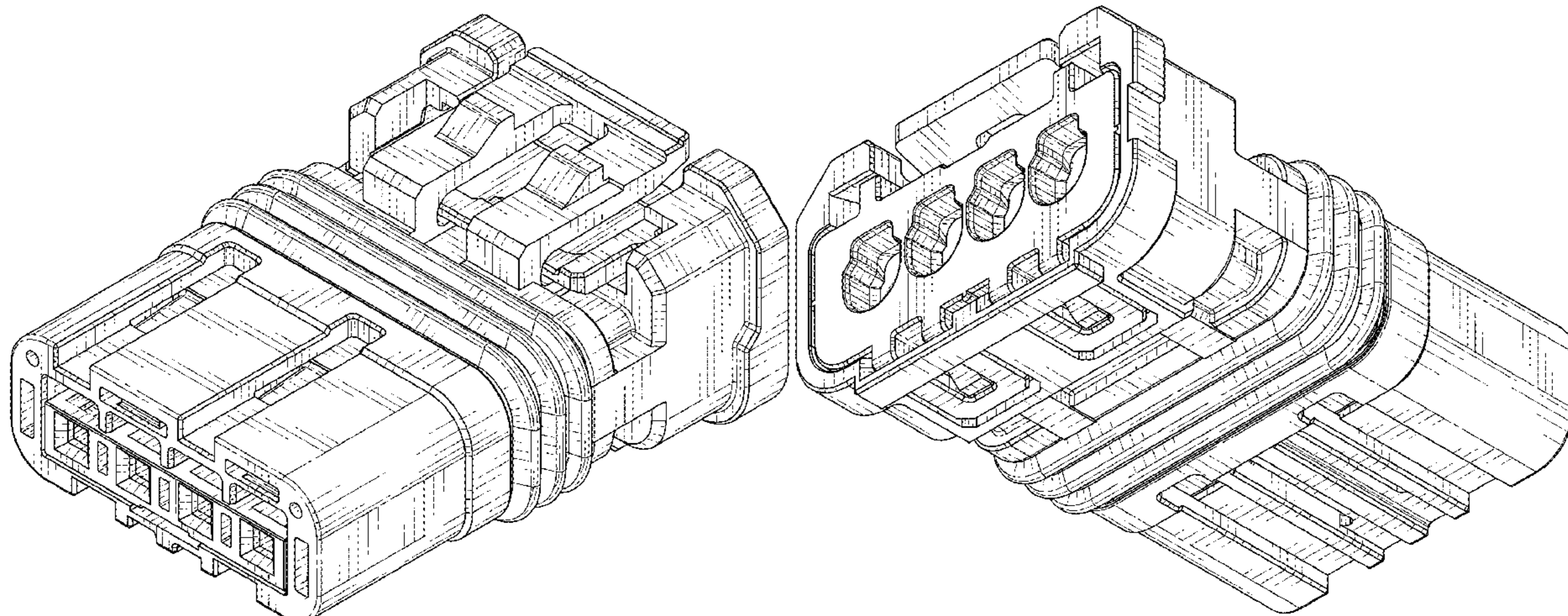
FIG. 8 is a perspective view showing a rear, bottom and left side thereof;

FIG. 9 is a perspective view showing a front, right and bottom side thereof; and,

FIG. 10 is a perspective view showing a rear, left and top side thereof.

The broken line showing of the connector is for the purpose of illustrating portions of the article and forms no part of the claimed design.

1 Claim, 5 Drawing Sheets



(56)

References Cited

U.S. PATENT DOCUMENTS

D324,206 S *	2/1992	Sueyoshi	D13/147
D524,736 S *	7/2006	Morita	D13/133
D524,751 S *	7/2006	Lee	D13/147
D651,567 S *	1/2012	Hodge	D13/133
D870,673 S *	12/2019	Obata	D13/147
D873,777 S *	1/2020	Obata	D13/147
D894,836 S *	9/2020	Obata	D13/133
2006/0063414 A1 *	3/2006	Goto	H01R 13/4361
			439/298
2019/0305470 A1 *	10/2019	Sugimoto	H01R 13/424
2019/0356076 A1 *	11/2019	Obata	H01R 13/5208

OTHER PUBLICATIONS

Japan Patent Office, "Office Action for Japanese Design Application No. 2018-025319," dated Apr. 26, 2019.

* cited by examiner

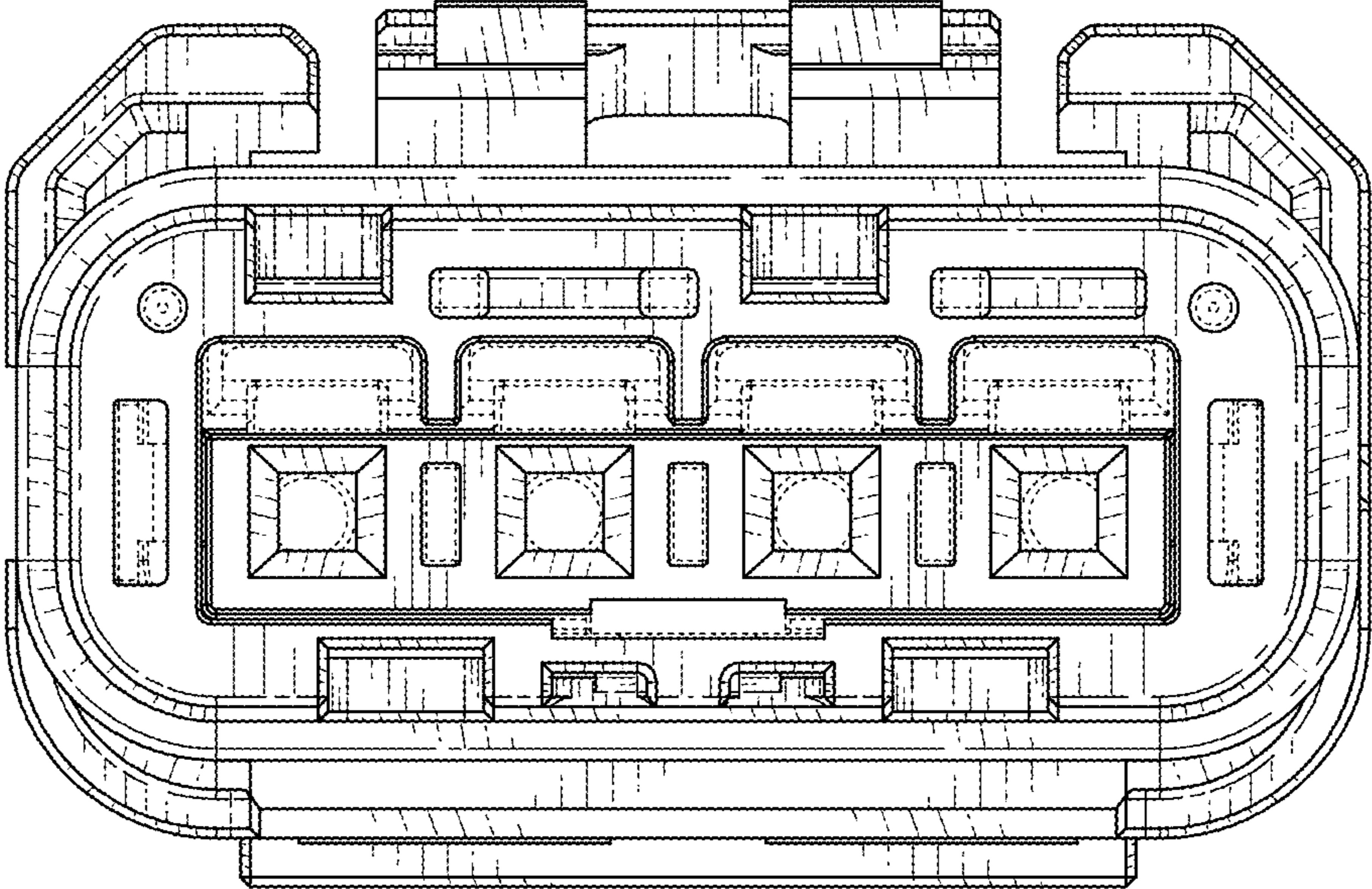


FIG. 1

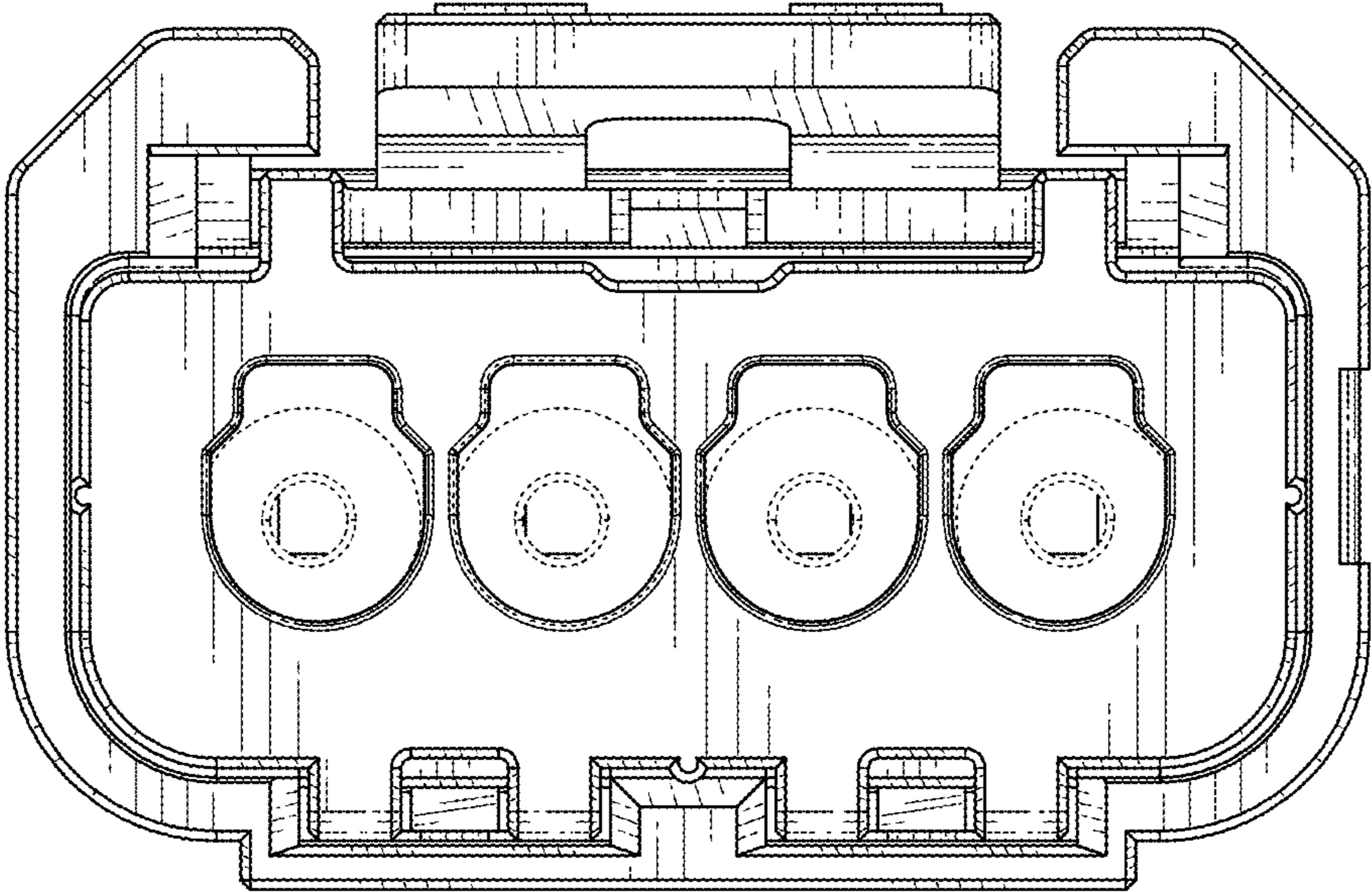


FIG. 2

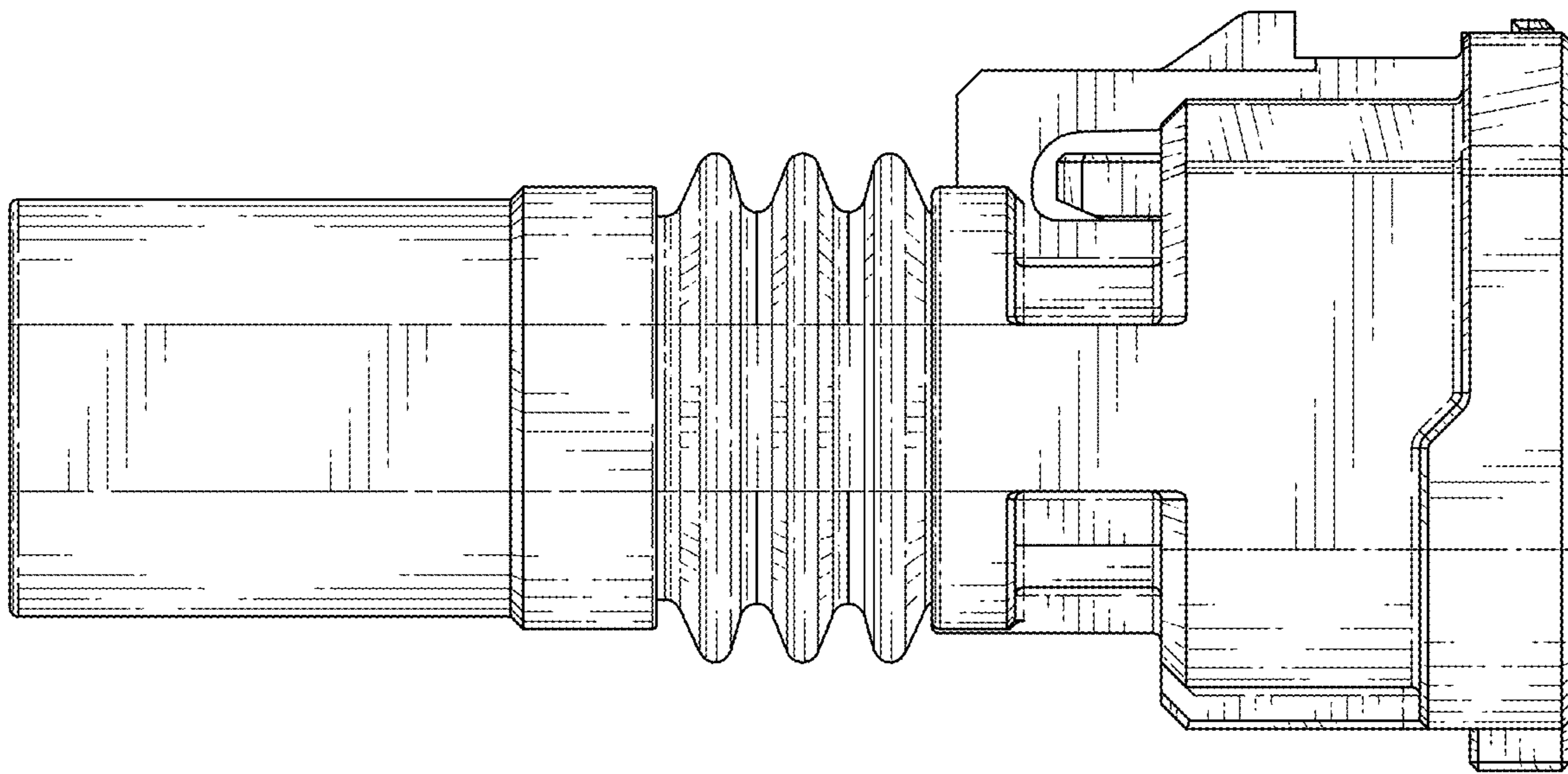


FIG. 3

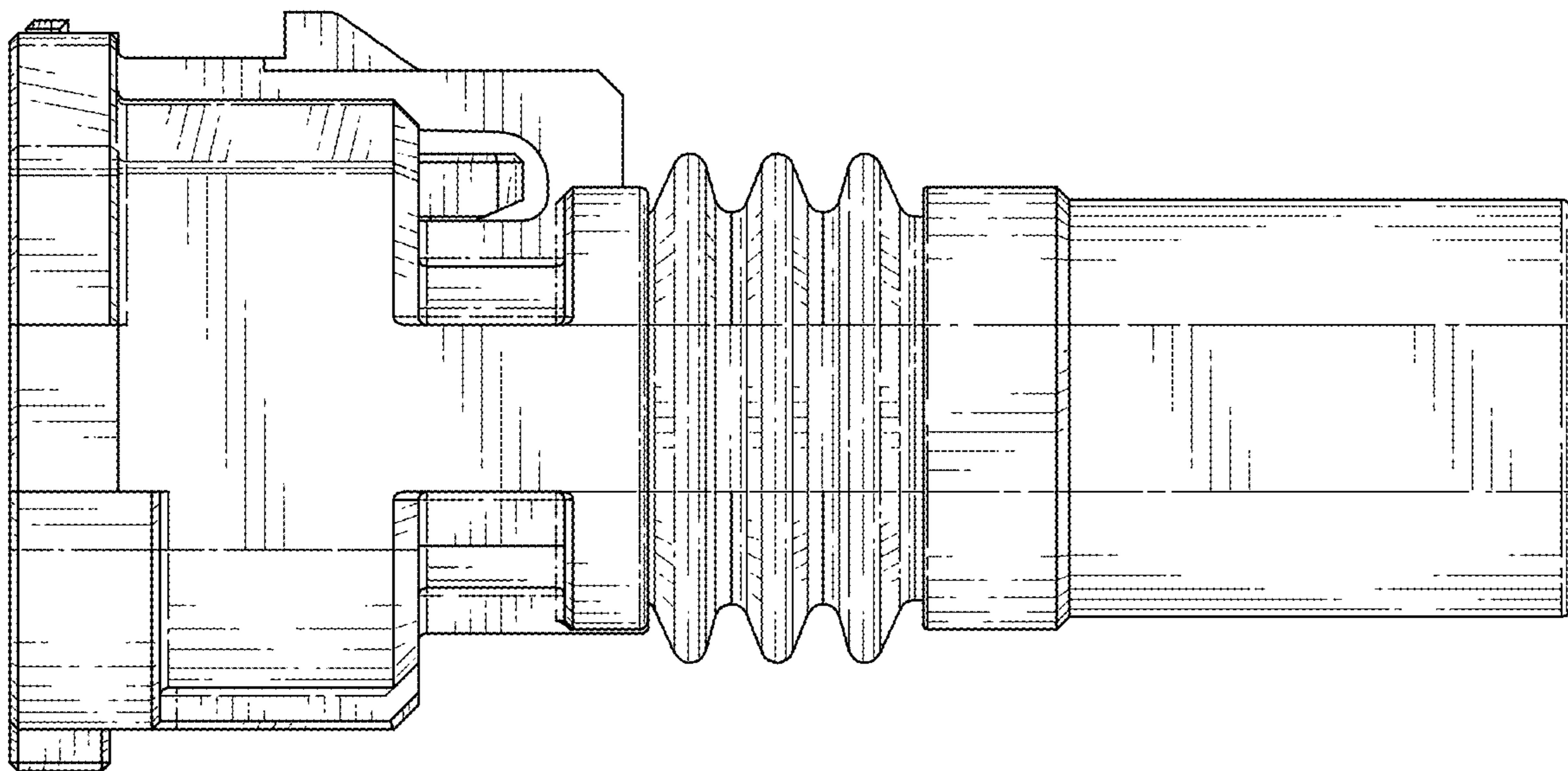


FIG. 4

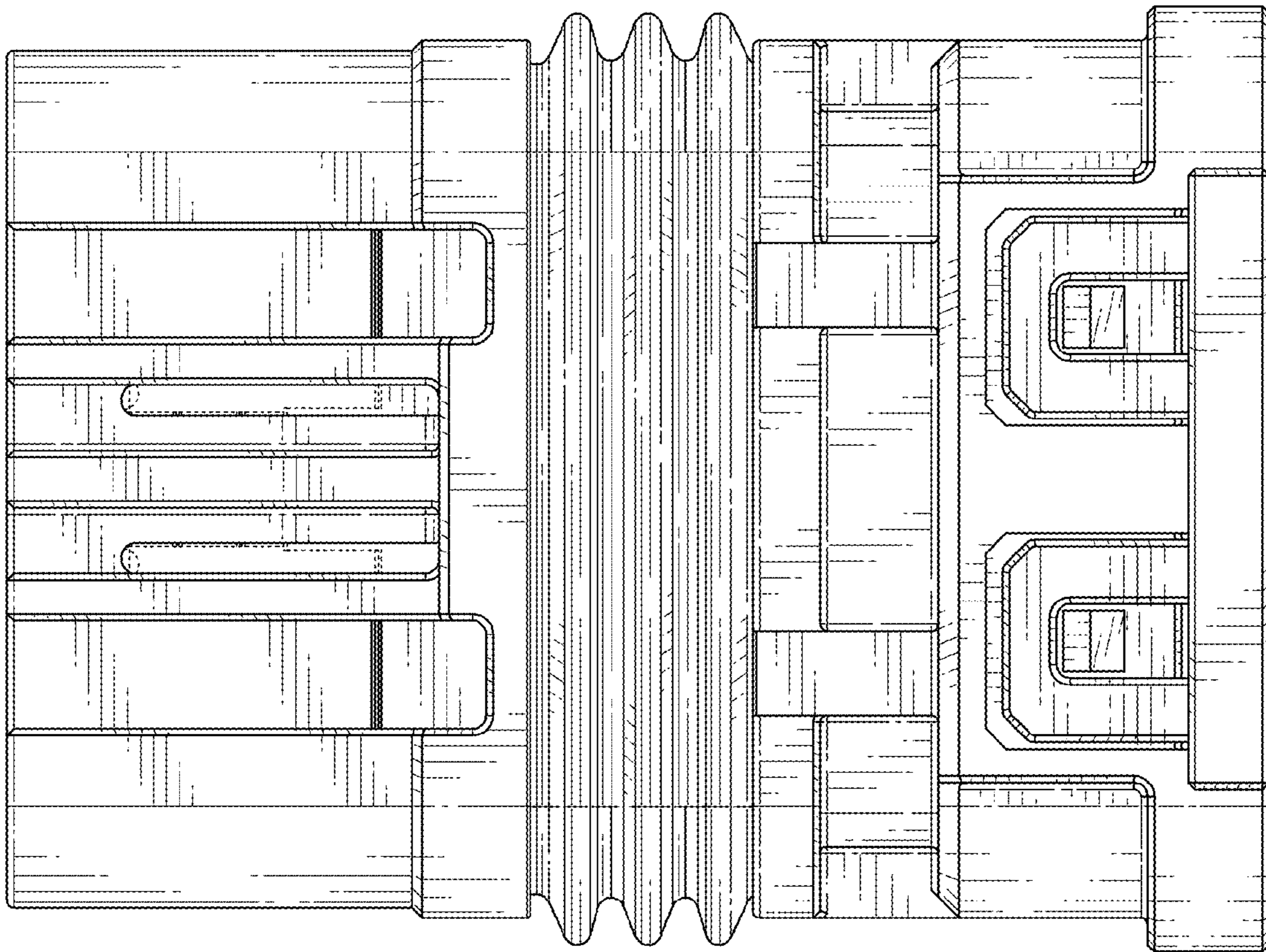


FIG. 6

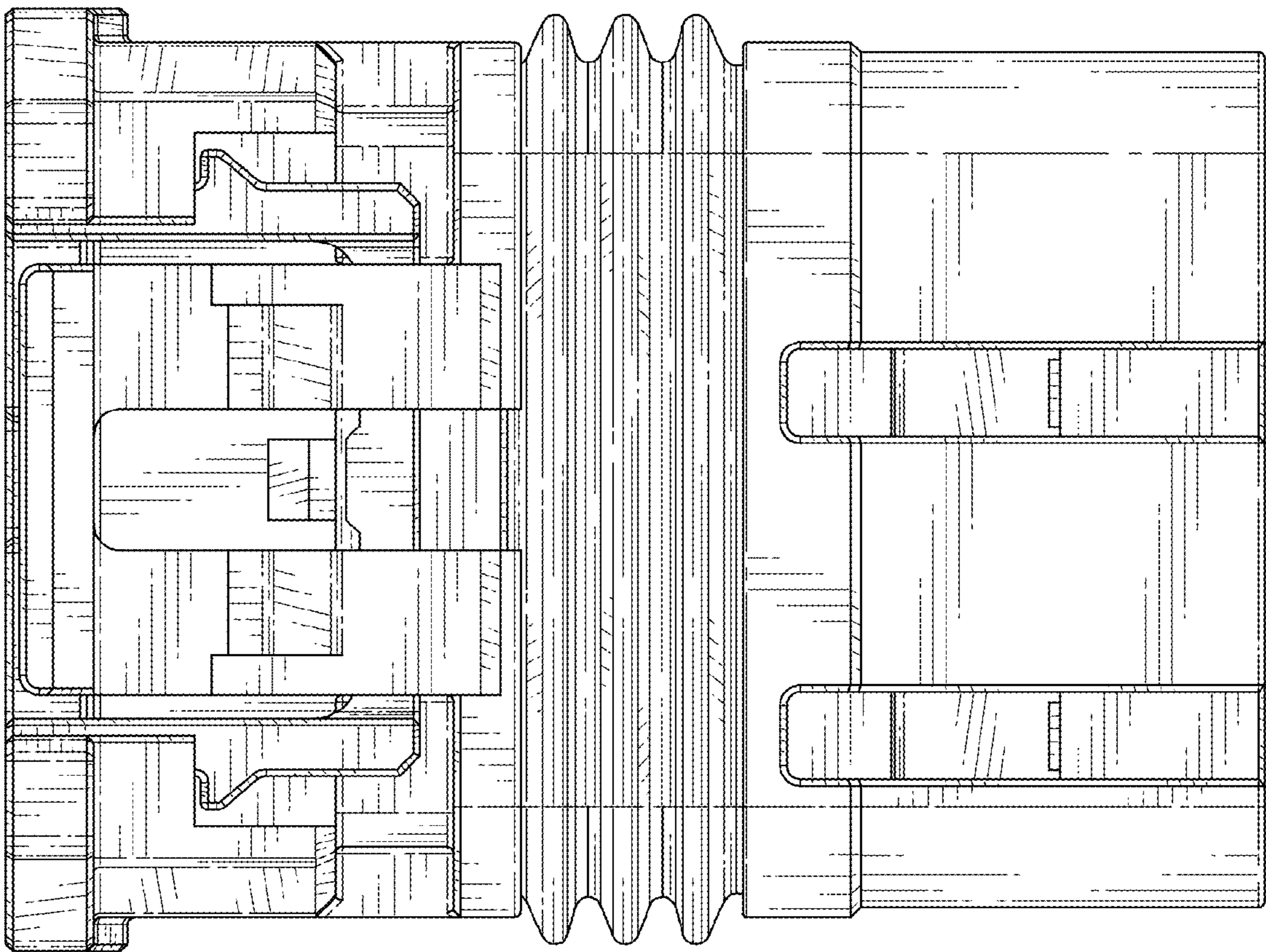


FIG. 5

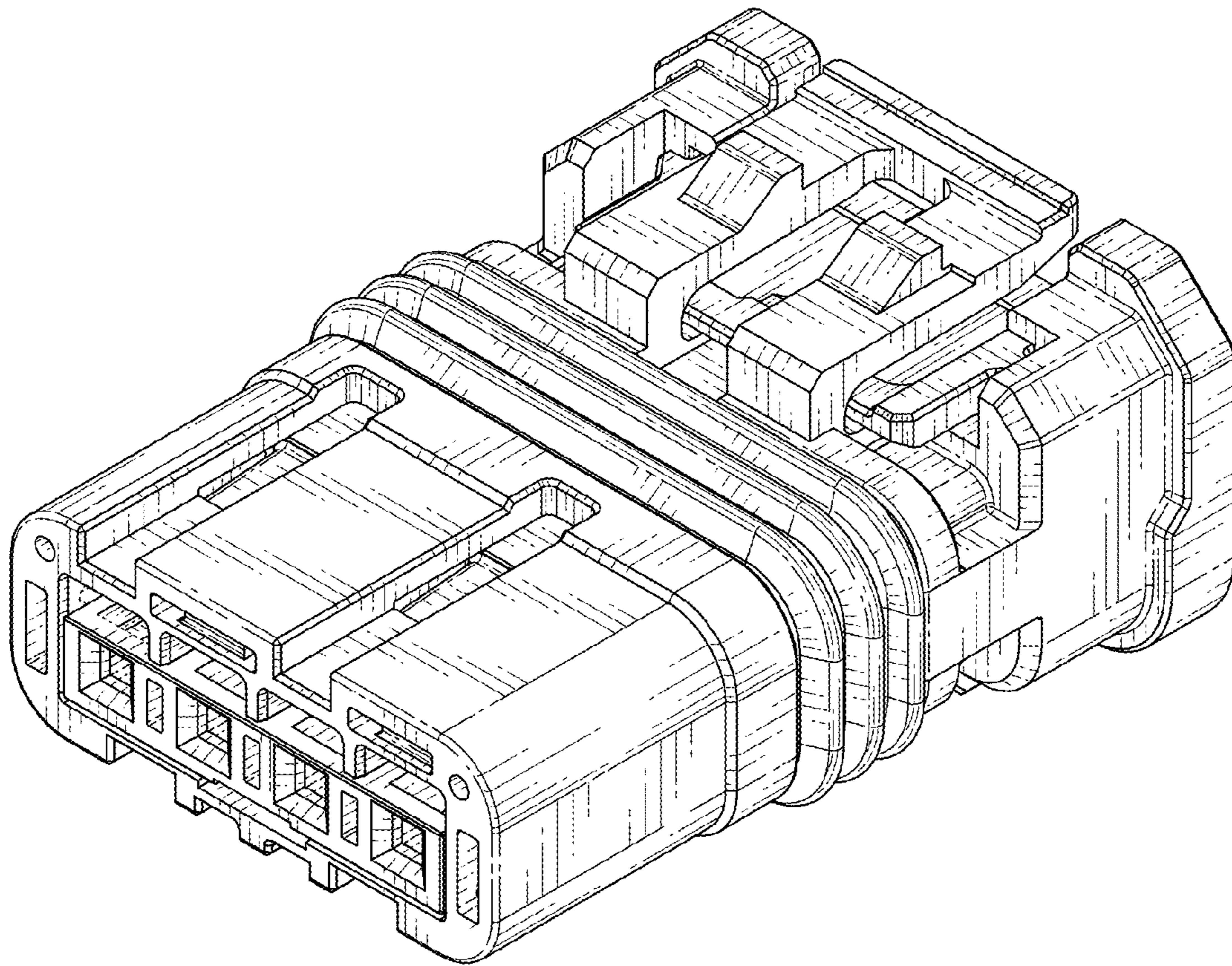


FIG. 7

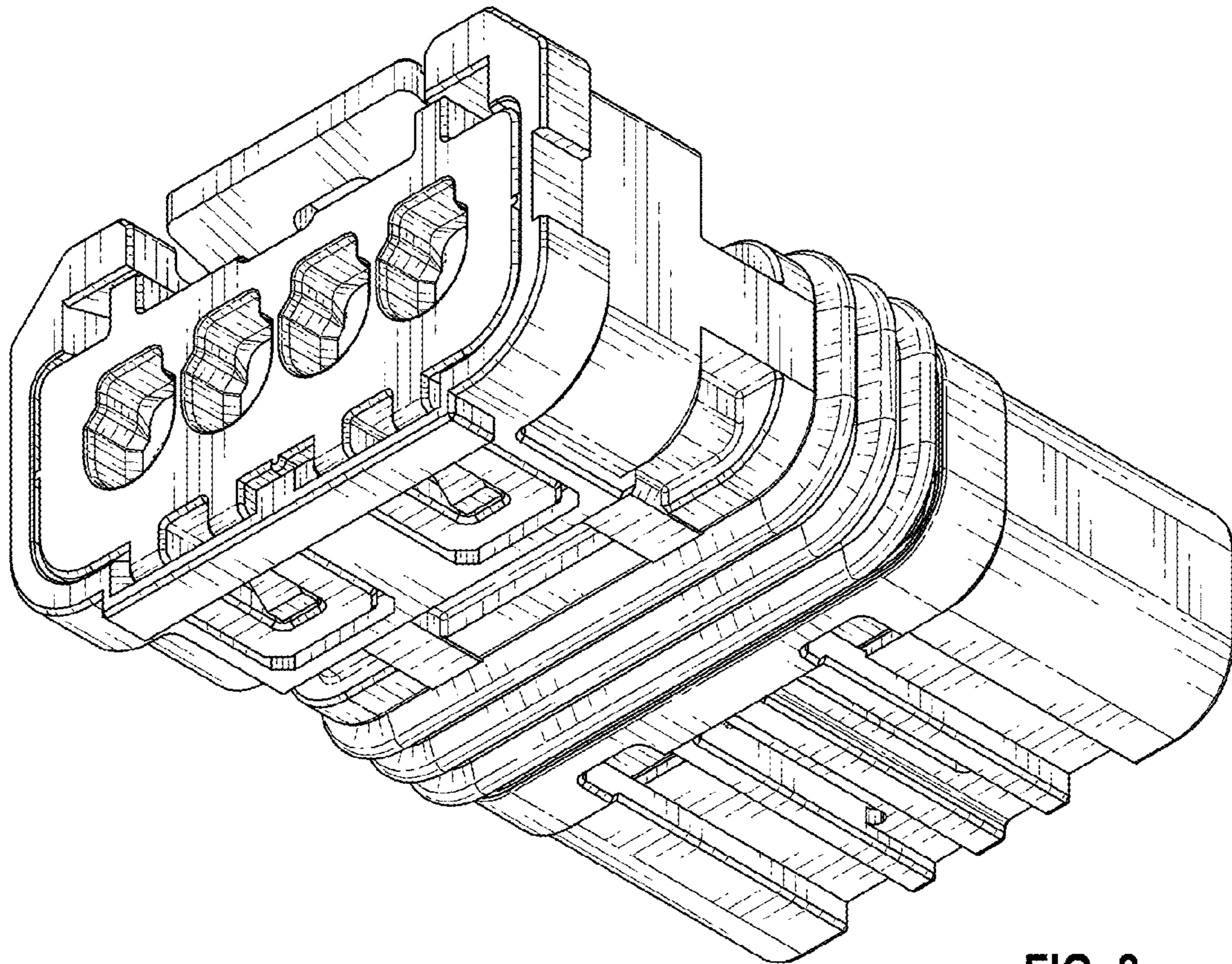


FIG. 8

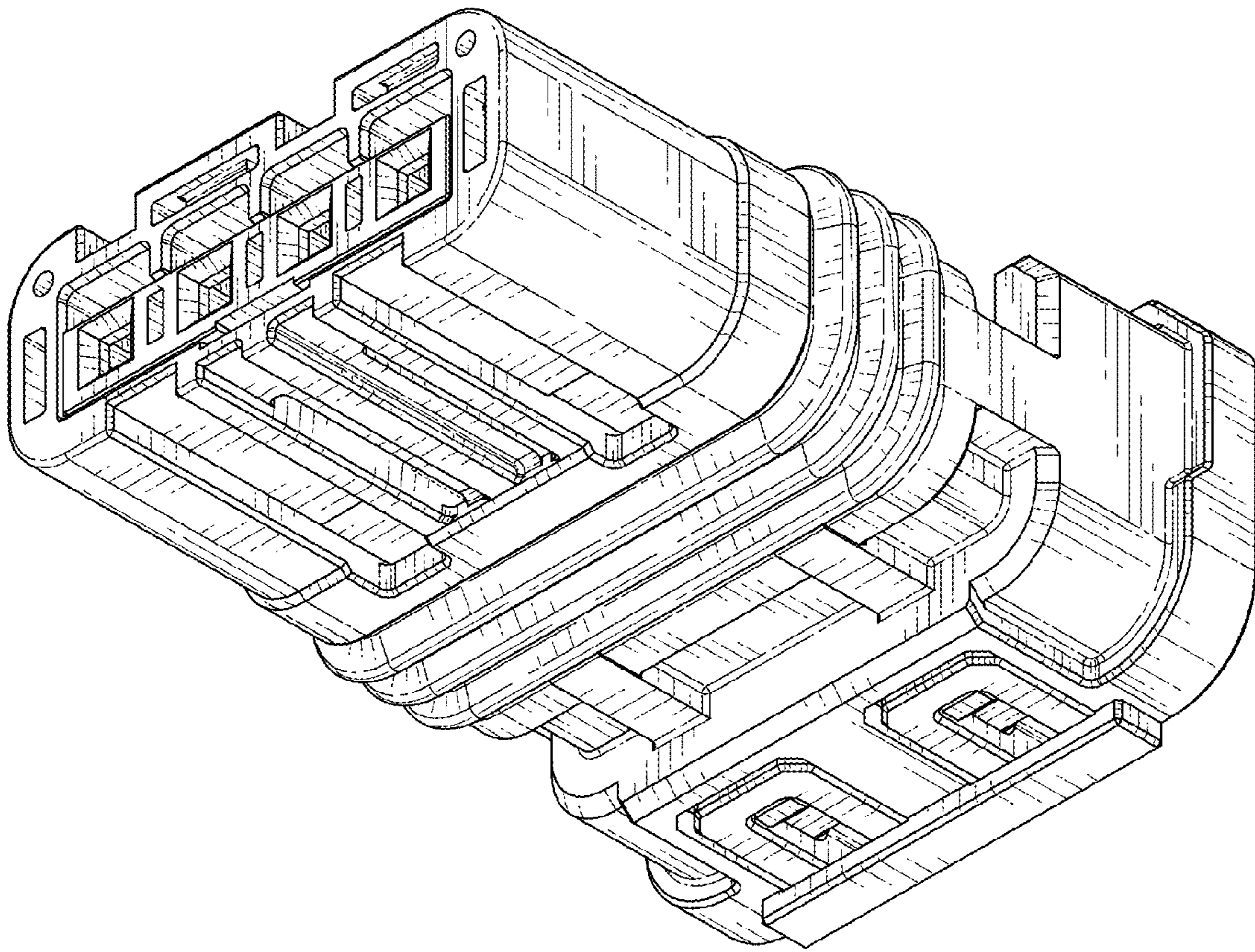


FIG. 9

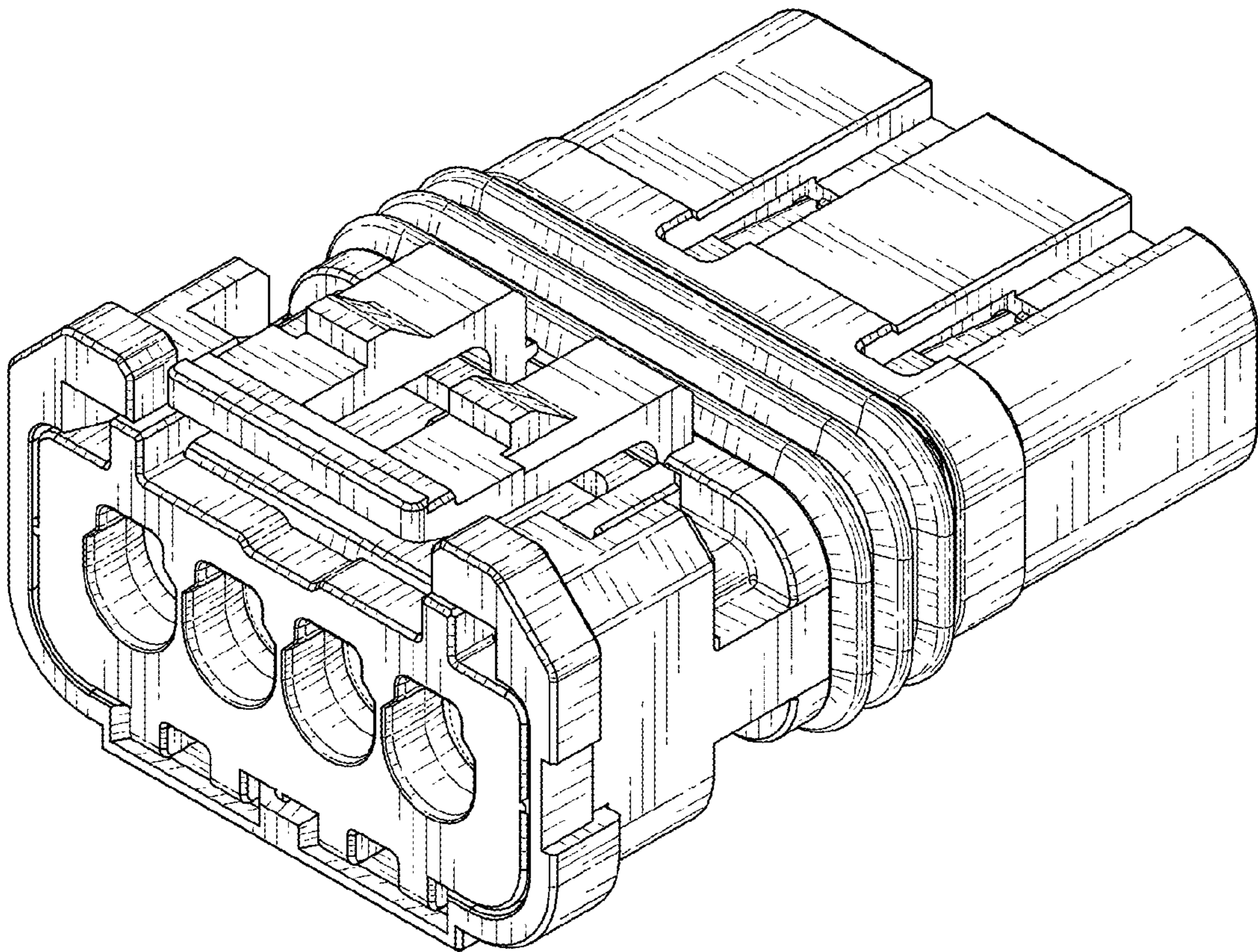


FIG. 10