



US00D921590S

(12) **United States Design Patent**
Shaeffer et al.

(10) **Patent No.:** **US D921,590 S**

(45) **Date of Patent:** **** *Jun. 8, 2021**

(54) **PLUG ASSEMBLY**

(71) Applicant: **R&S Shaeffer Properties LLC**, Ector, TX (US)

(72) Inventors: **Ricky David Shaeffer**, Bonham, TX (US); **Jared Tanner Shaeffer**, Bonham, TX (US)

(73) Assignee: **R&S Shaeffer Properties LLC**, Ector, TX (US)

(*) Notice: This patent is subject to a terminal disclaimer.

(**) Term: **15 Years**

(21) Appl. No.: **29/665,162**

(22) Filed: **Oct. 1, 2018**

(51) **LOC (13) Cl.** **13-03**

(52) **U.S. Cl.**
USPC **D13/146**

(58) **Field of Classification Search**
USPC D13/123, 133, 146, 147, 152, 154, 156, D13/158, 173, 177, 184, 199, 242, 107, D13/108, 110, 112, 118, 120, 145, 149, D13/150, 151, 153, 155, 157; D14/240, D14/242, 433, 434, 435.1, 438; D26/129
CPC H01R 12/73
See application file for complete search history.

(56) **References Cited**

U.S. PATENT DOCUMENTS

D779,428 S * 2/2017 Mayer D13/112

D857,634 S * 8/2019 Reitenbach D13/146
D858,453 S * 9/2019 Lang D13/146

* cited by examiner

Primary Examiner — Darcey E Gottshalk
(74) *Attorney, Agent, or Firm* — Maschoff Brennan

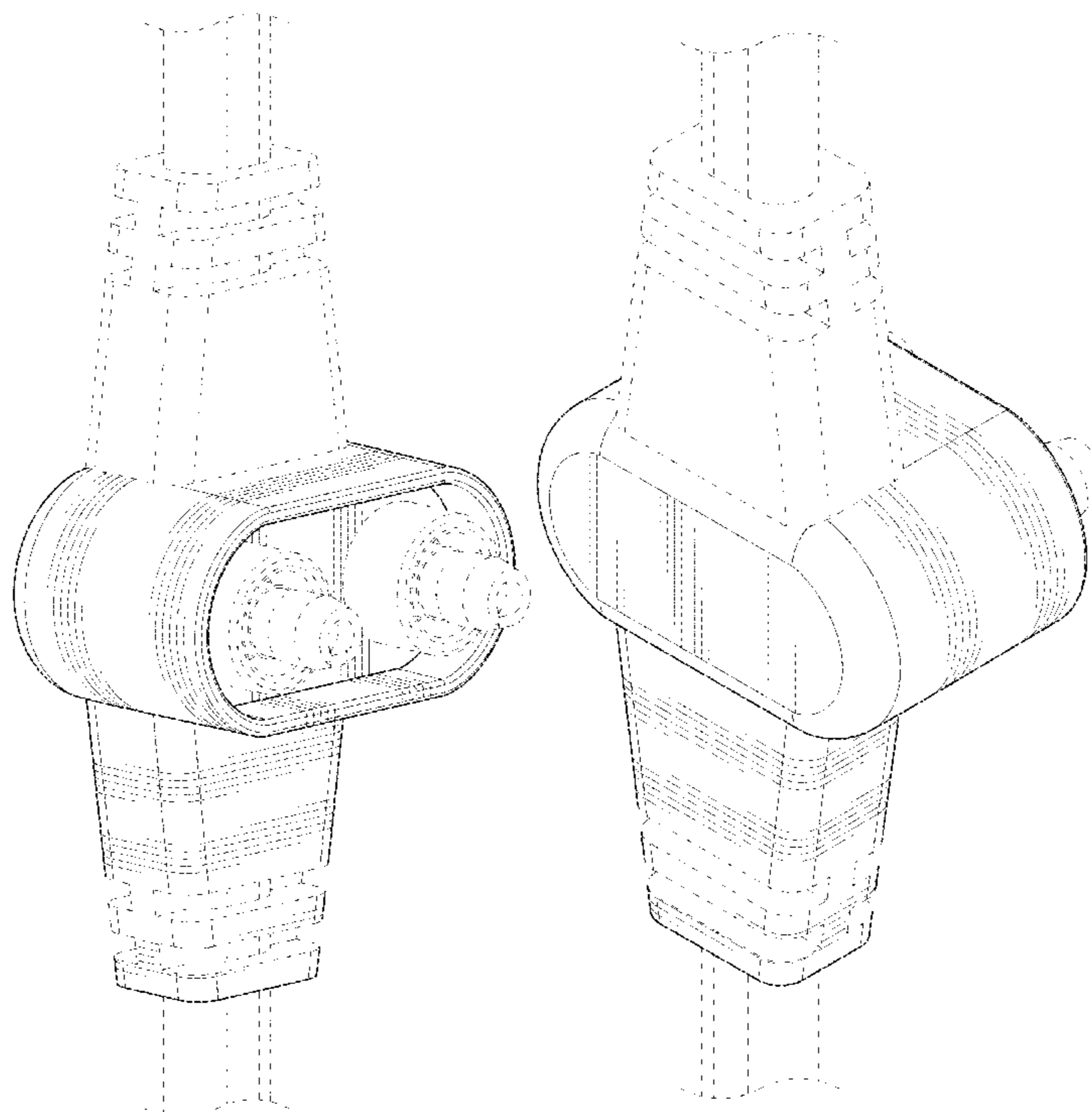
(57) **CLAIM**

The ornamental design for a plug assembly, as shown and described.

DESCRIPTION

FIG. 1 is a first perspective view of an embodiment of a plug assembly;
FIG. 2 is a second perspective view of the embodiment of the plug assembly of FIG. 1;
FIG. 3 is a front view of the embodiment of the plug assembly of FIG. 1;
FIG. 4 is a rear view of the embodiment of the plug assembly of FIG. 1;
FIG. 5 is a first side view of the embodiment of the plug assembly of FIG. 1;
FIG. 6 is a second side view of the embodiment of the plug assembly of FIG. 1;
FIG. 7 is a top view of the embodiment of the plug assembly of FIG. 1; and,
FIG. 8 is a bottom view of the embodiment of the plug assembly of FIG. 1.
The broken lines showing parts of the plug assembly are for illustrative purposes only and form no part of the claimed design.

1 Claim, 7 Drawing Sheets



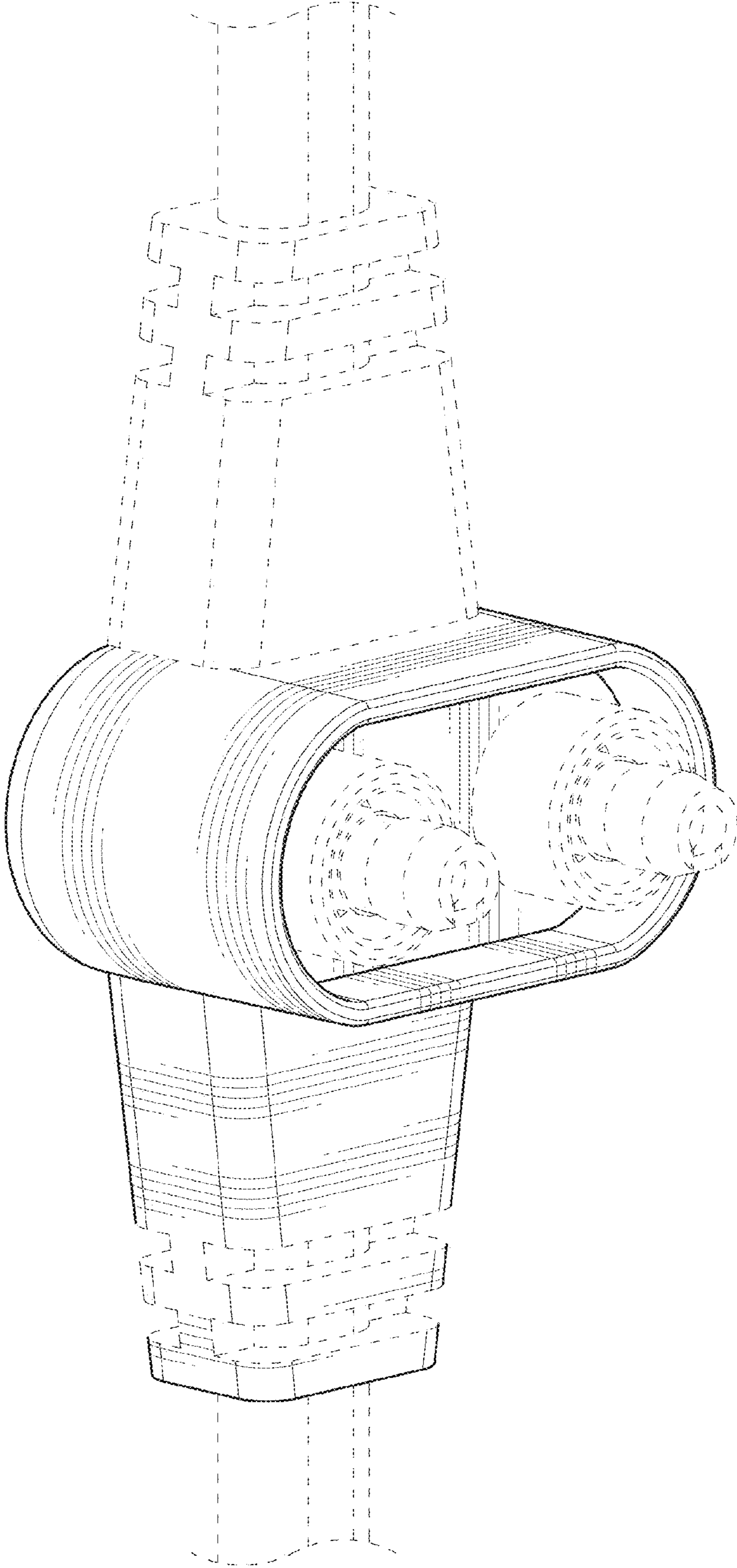


FIG. 1

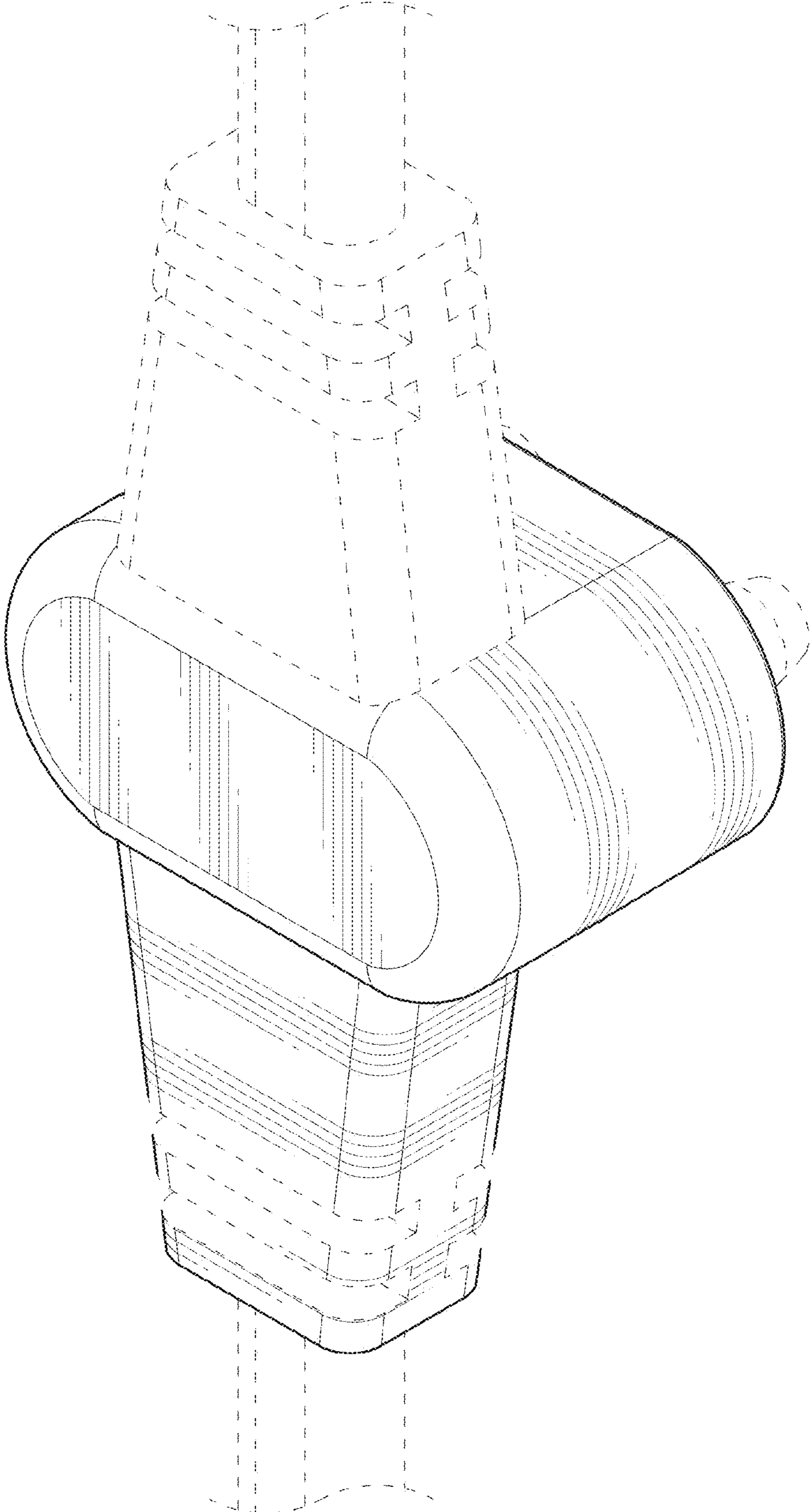


FIG. 2

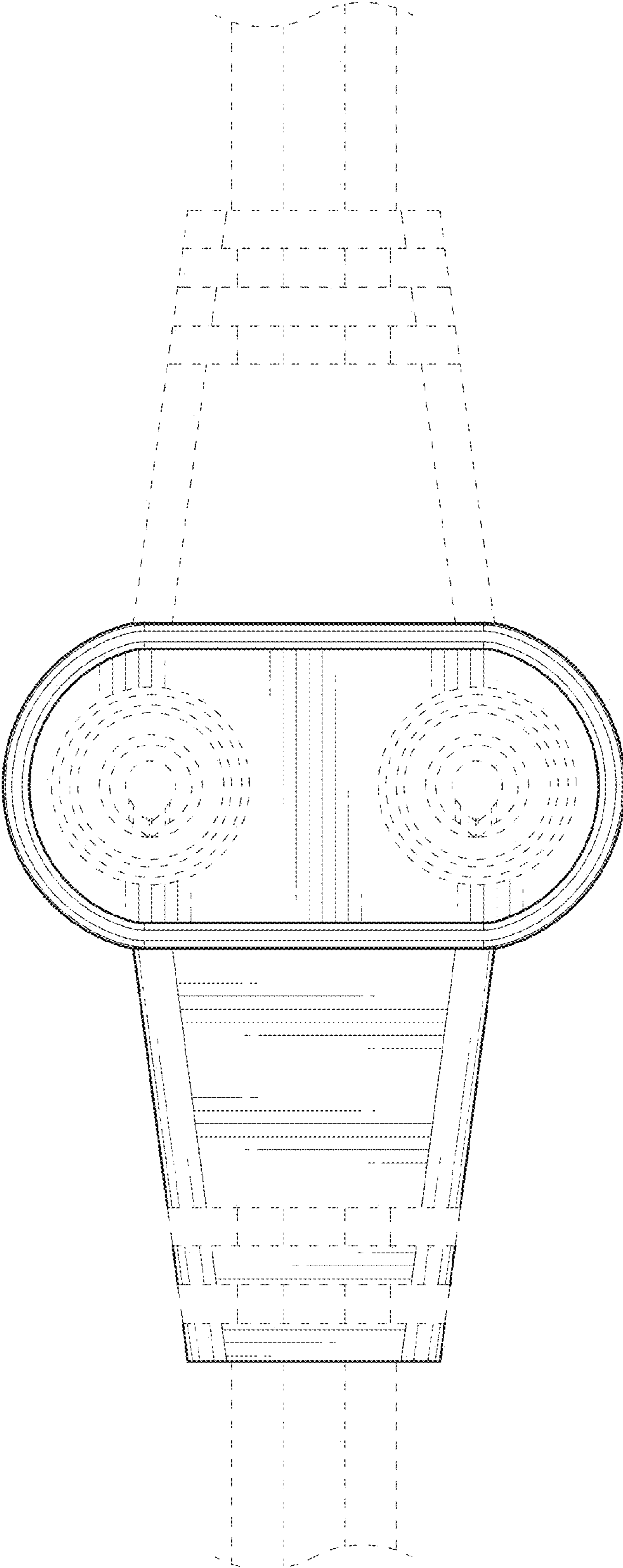


FIG. 3

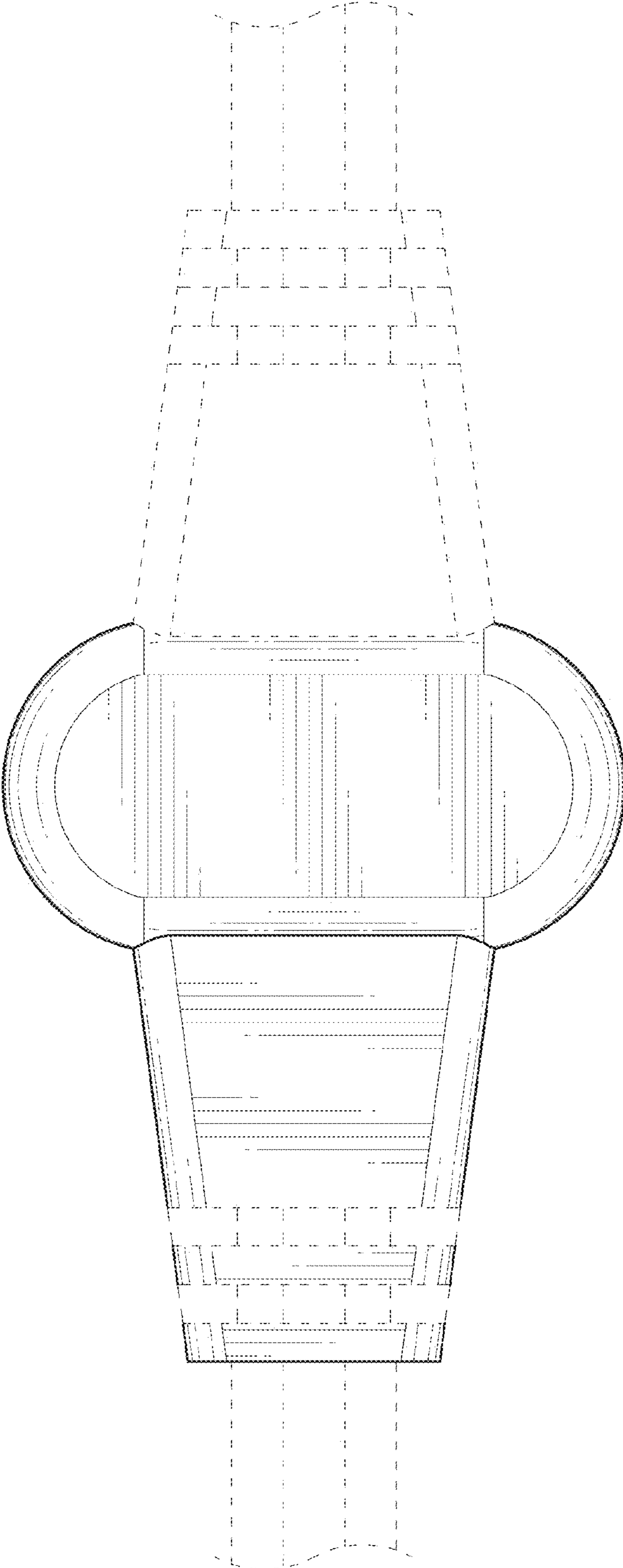


FIG. 4

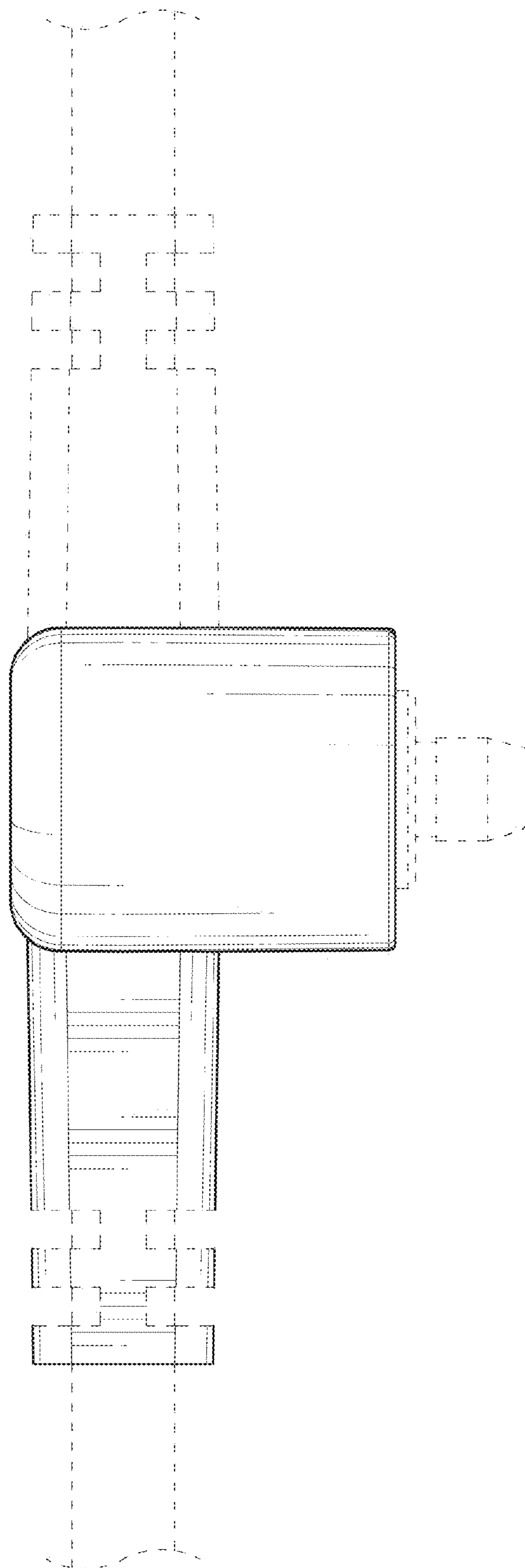


FIG. 5

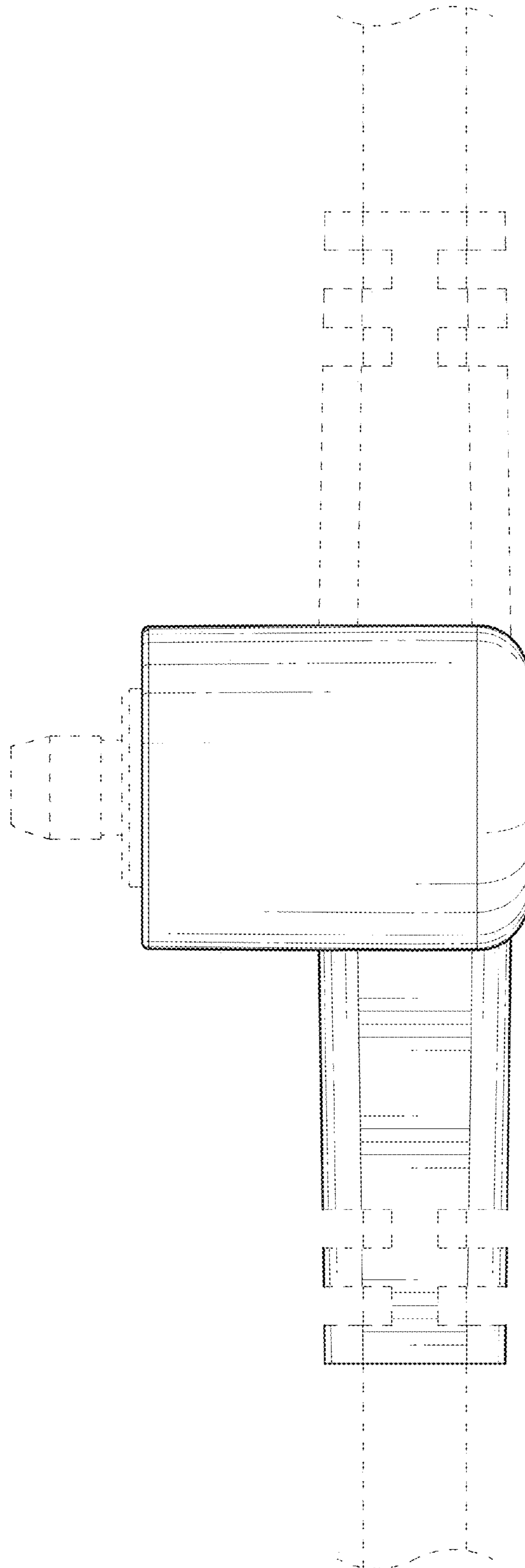


FIG. 6

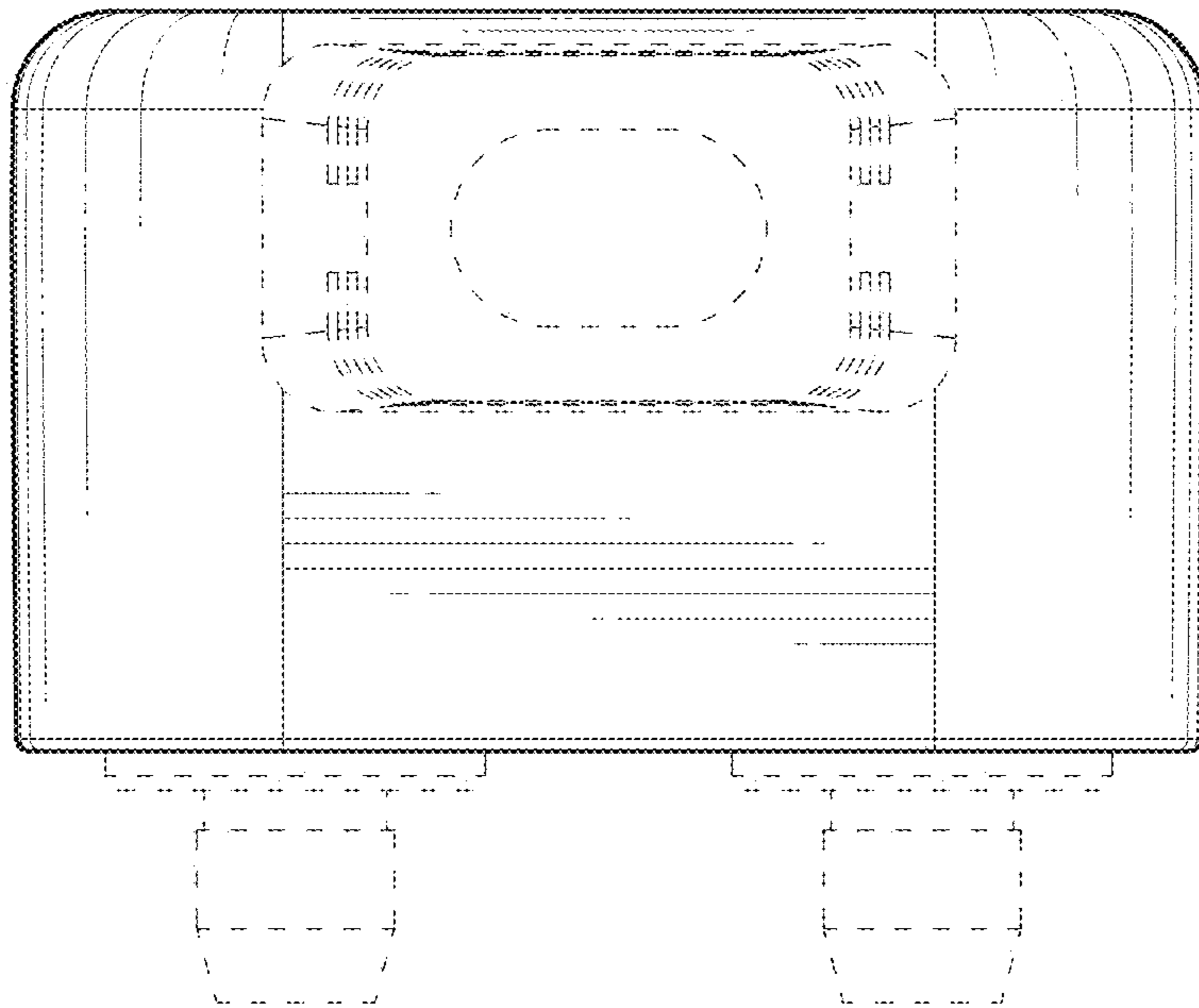


FIG. 7

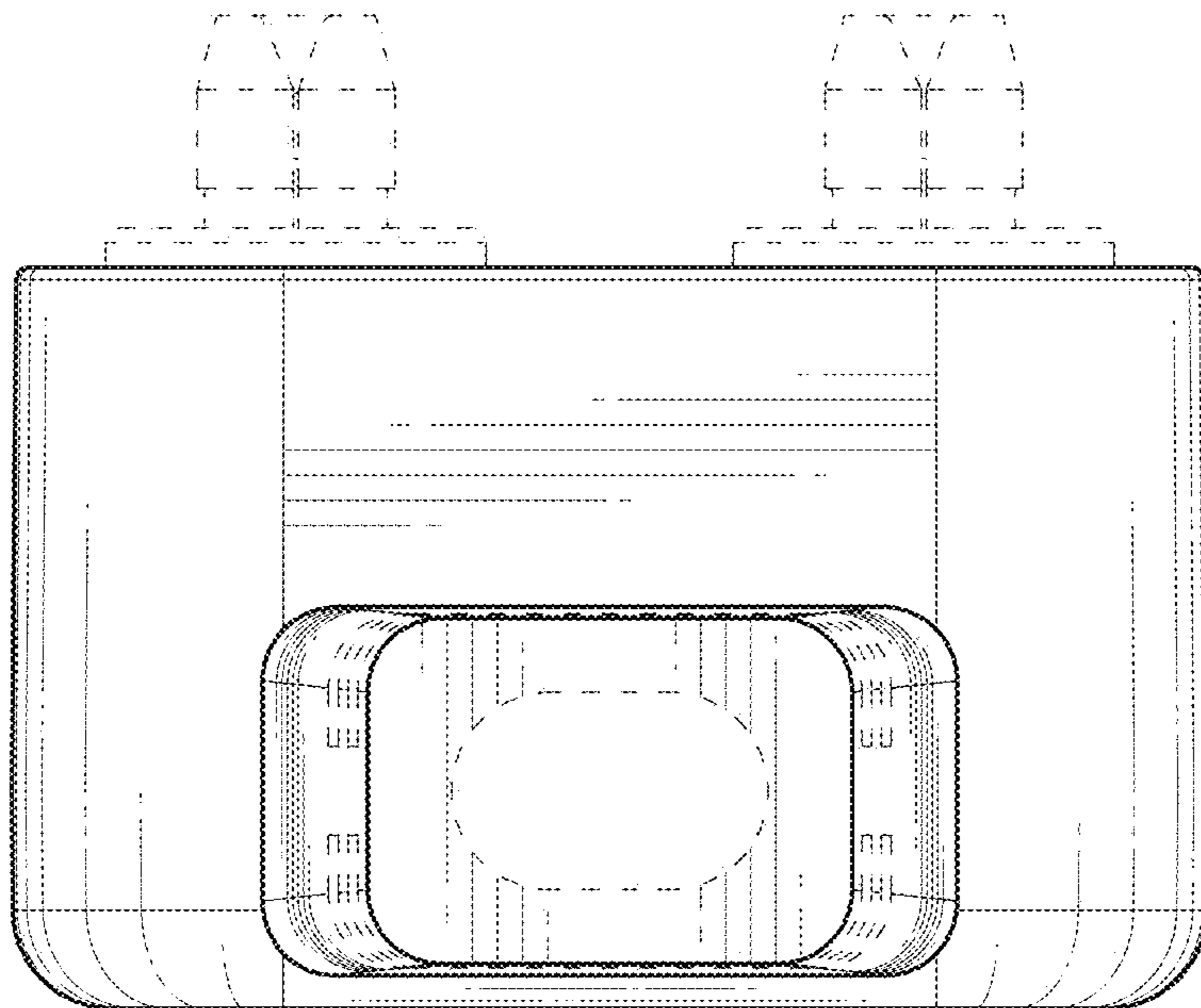


FIG. 8