



US00D921588S

(12) **United States Design Patent** (10) **Patent No.:** **US D921,588 S**
Chen et al. (45) **Date of Patent:** **** Jun. 8, 2021**

(54) **CONNECTOR TERMINAL**

(71) Applicant: **Tarng Yu Enterprise co., ltd.**, New Taipei (TW)

(72) Inventors: **Ying-Chung Chen**, New Taipei (TW);
Mu-Jung Huang, New Taipei (TW)

(73) Assignee: **TARNG YU ENTERPRISE CO., LTD.**, New Taipei (TW)

(**) Term: **15 Years**

(21) Appl. No.: **29/726,809**

(22) Filed: **Mar. 5, 2020**

(30) **Foreign Application Priority Data**

Dec. 12, 2019 (TW) 108307674

(51) **LOC (13) Cl.** **13-03**

(52) **U.S. Cl.**
USPC **D13/133**

(58) **Field of Classification Search**
USPC D13/120, 121, 133, 146, 147, 153, 199,
D13/154, 156, 184; D14/432, 433, 434,
D14/435.1, 438

CPC .. H01R 13/506; H01R 13/516; H01R 13/518;
H01R 13/58; H01R 13/627; H01R
13/6315; H01R 13/00; H01R 13/24;
H01R 13/26; H01R 13/28; H01R 13/508;
H01R 13/523; H01R 13/585; H01R
13/6271; H01R 13/6275; H01R 13/635;
H01R 13/639; H01R 13/64; H01R
13/642; H01R 13/6453; H01R 13/6474;
H01R 13/6581; H01R 13/6582; H01R
13/6586; H01R 13/6587; H01R 13/6588;
H01R 13/659; H01R 13/6591; H01R
13/6594; H01R 13/6595; H01R 13/6597;
H01R 13/66; H01R 13/6658; H01R
24/00; H01R 24/60; H01R 24/62; H01R
24/64; H01R 12/51; H01R 12/52; H01R
12/55; H01R 12/57; H01R 12/58; H01R
12/592; H01R 12/61; H01R 12/616;

H01R 12/63; H01R 12/70; H01R
12/7005; H01R 12/7076; H01R 12/71;
H01R 12/714; H01R 12/716; H01R
12/718; H01R 12/72; H01R 12/73; H01R
12/737; H01R 12/777; H01R 12/778;
H01R 12/79; H01R 13/52; H01R 13/533;
H01R

(Continued)

(56) **References Cited**

U.S. PATENT DOCUMENTS

D410,226 S * 5/1999 Yoshiura D13/133
D555,093 S * 11/2007 Chien D13/133
D555,095 S * 11/2007 Ho D13/133

(Continued)

Primary Examiner — Rosemary K Tarcza

Assistant Examiner — Seth David Kumpf

(74) *Attorney, Agent, or Firm* — Chun-Ming Shih;
Lanway IPR Services

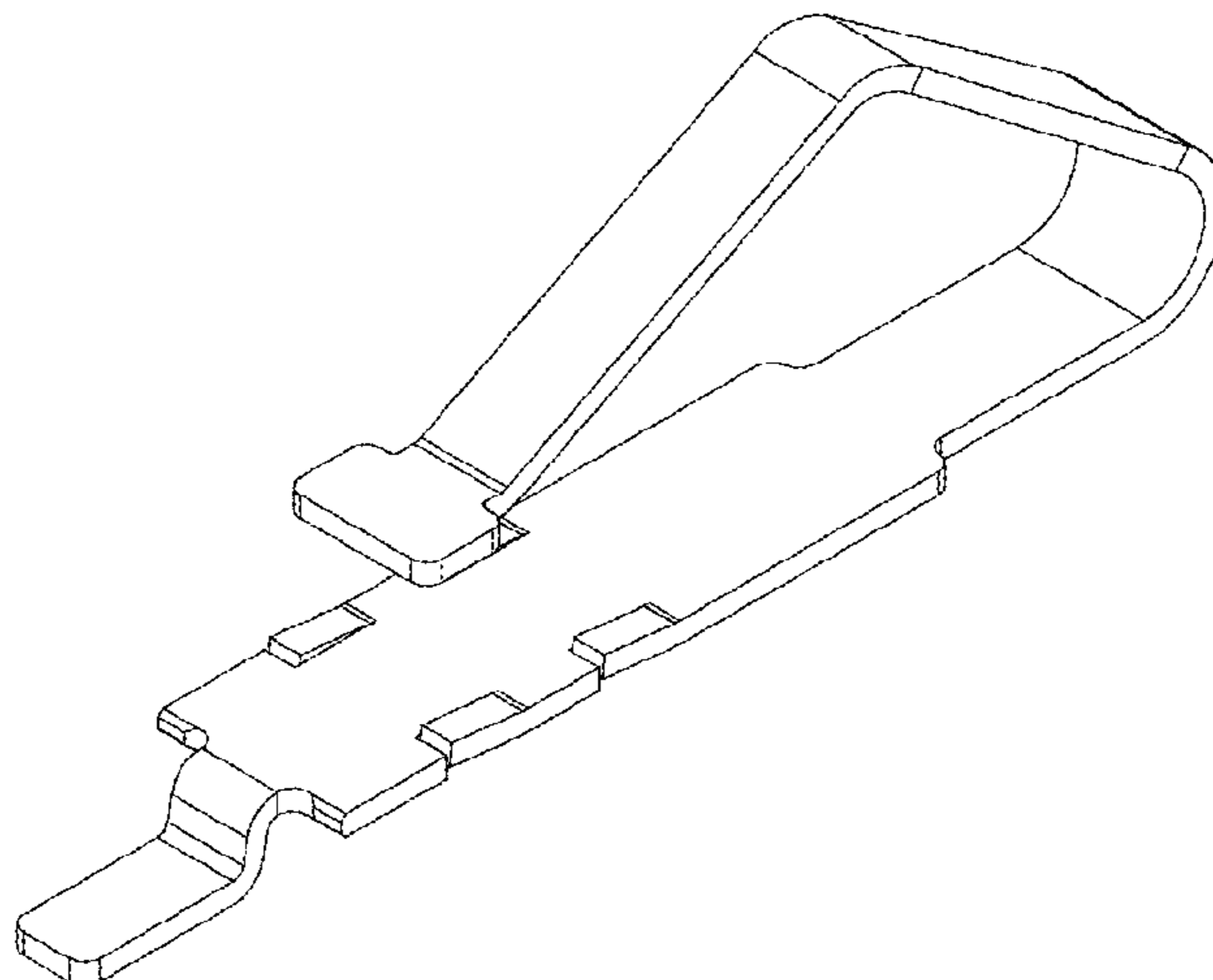
(57) **CLAIM**

The ornamental design for connector terminal, as shown and described.

DESCRIPTION

FIG. 1 is a perspective view of connector terminal showing the new design;
FIG. 2 is a front elevational view of connector terminal showing the new design;
FIG. 3 is a rear elevational view of connector terminal showing the new design;
FIG. 4 is a left side elevational view of connector terminal showing the new design;
FIG. 5 is a right side elevational view of connector terminal showing the new design;
FIG. 6 is a top view of connector terminal showing the new design; and,
FIG. 7 is a bottom view of connector terminal showing the new design.

1 Claim, 7 Drawing Sheets



(58) **Field of Classification Search**

CPC 4/24; H01R 4/242; H01R 4/245; H01R
12/67

See application file for complete search history.

(56) **References Cited**

U.S. PATENT DOCUMENTS

D562,241 S *	2/2008	Hsu	D13/133
D562,768 S *	2/2008	Kishi	D13/133
D569,802 S *	5/2008	Long	D13/133
D570,288 S *	6/2008	Ma	D13/133
D722,570 S *	2/2015	Choi	D13/154
D722,979 S *	2/2015	Kim	D13/154
D764,412 S *	8/2016	Sabo	D13/133

* cited by examiner

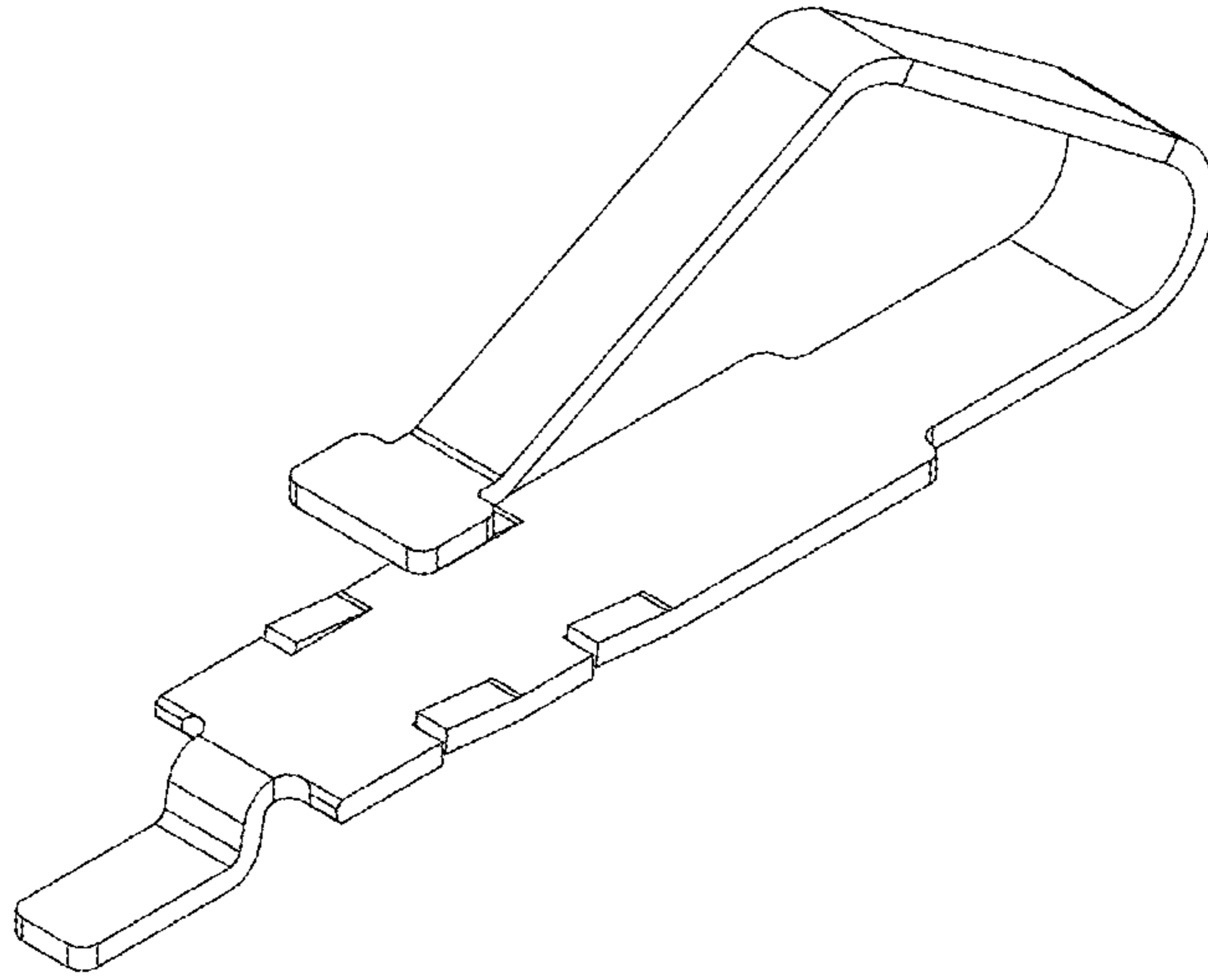


Fig.1

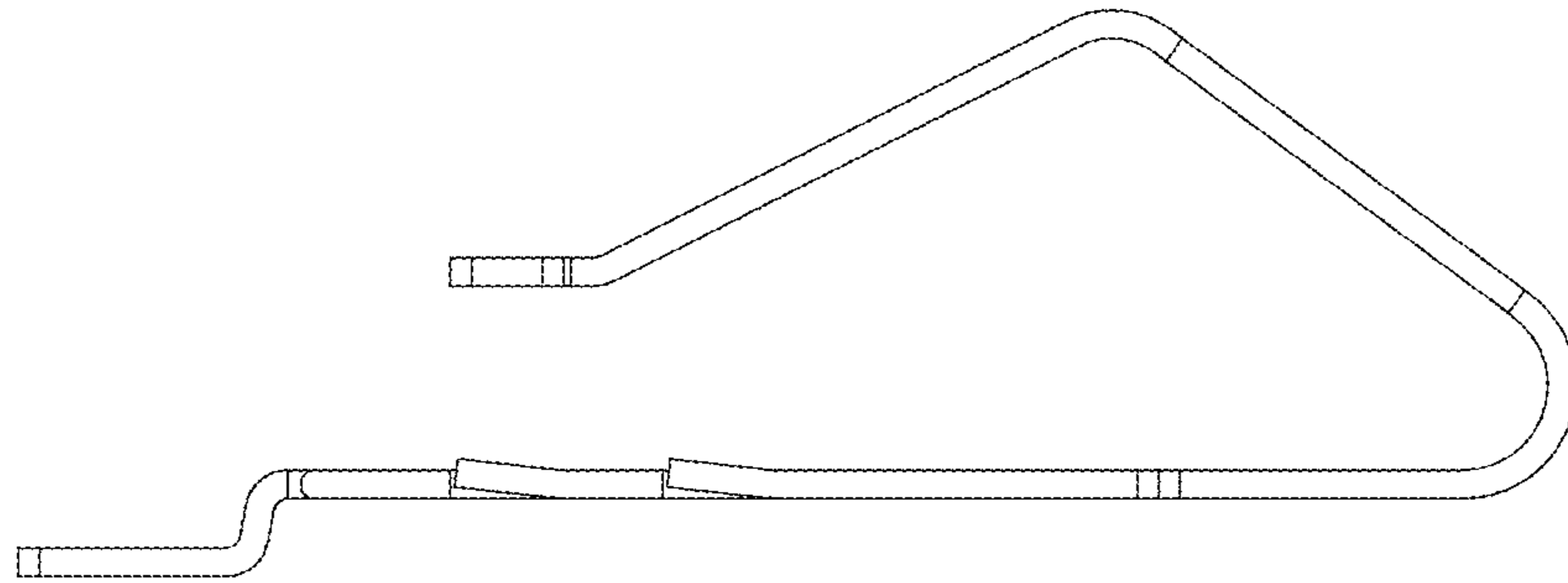


Fig.2

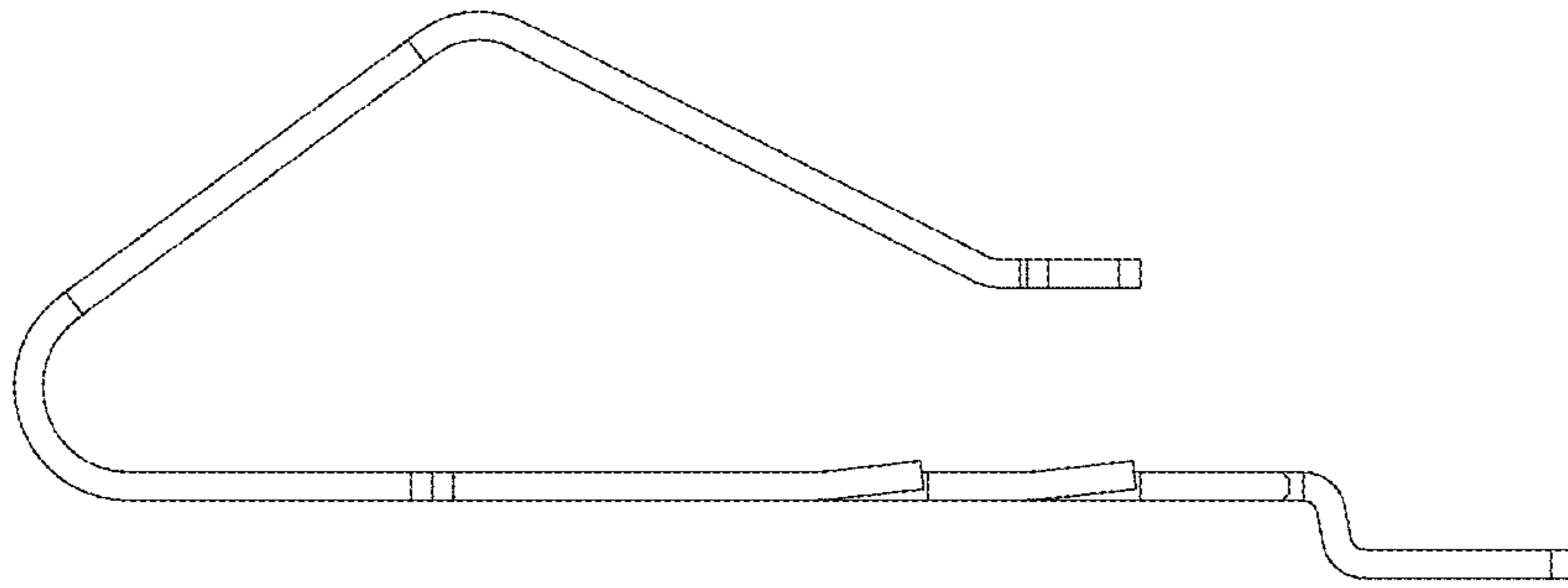


Fig.3

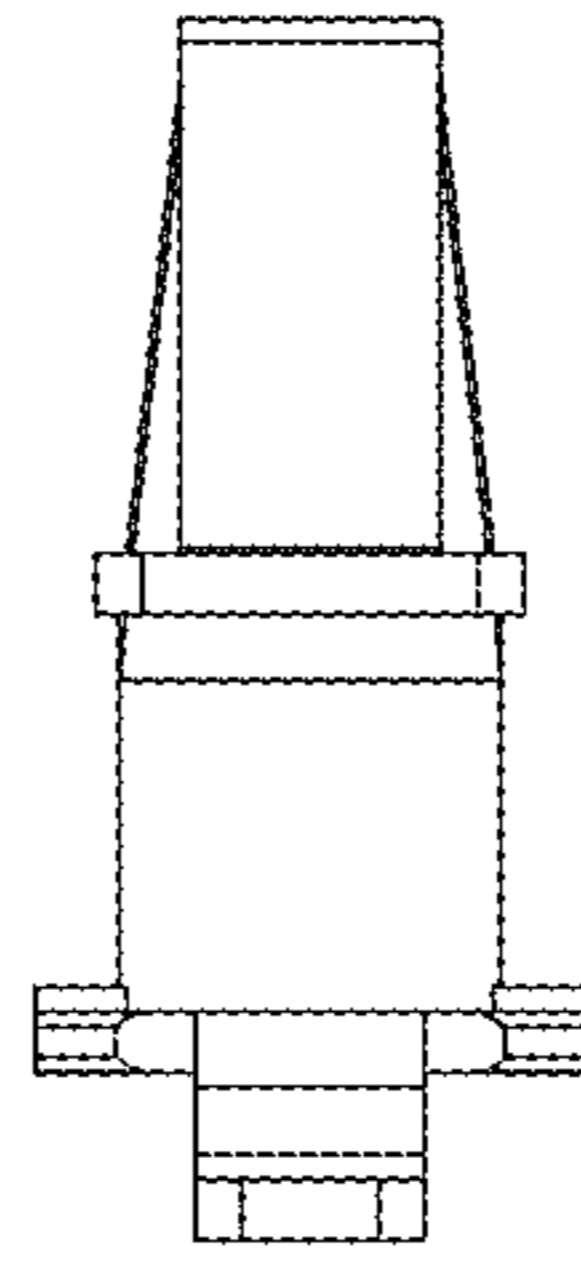


Fig.4

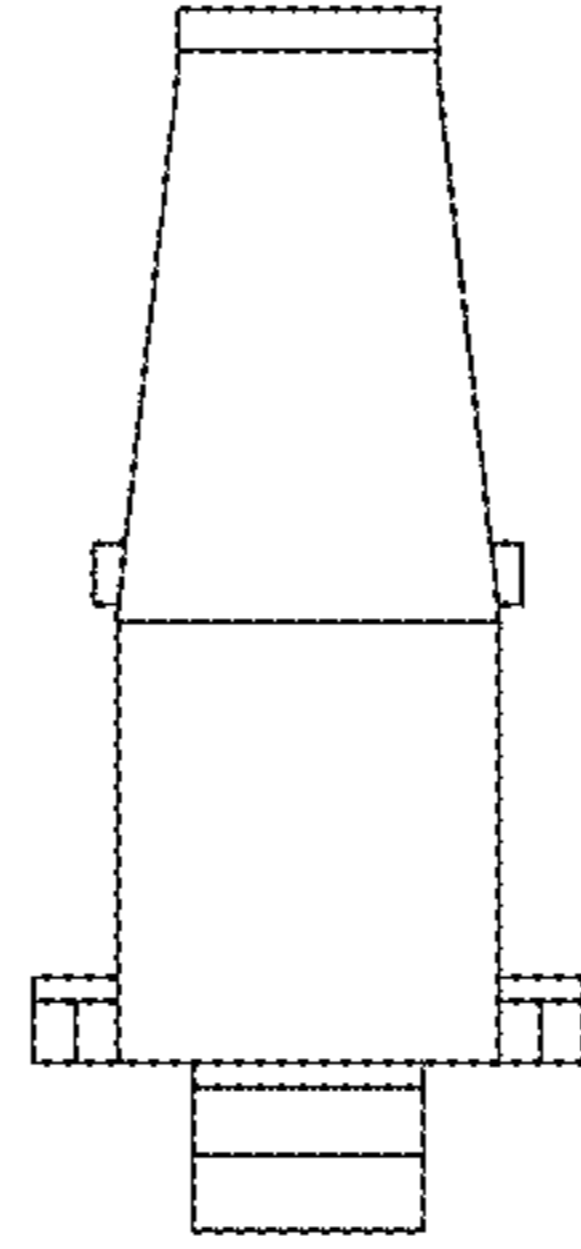


Fig.5

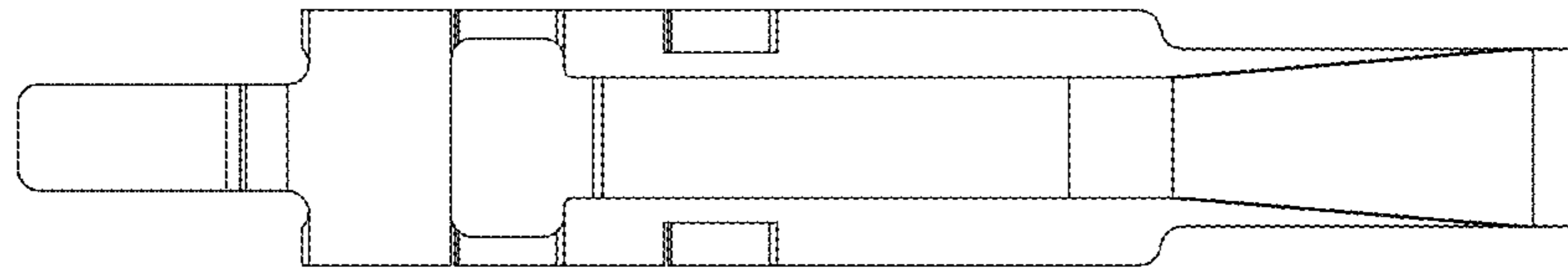


Fig.6

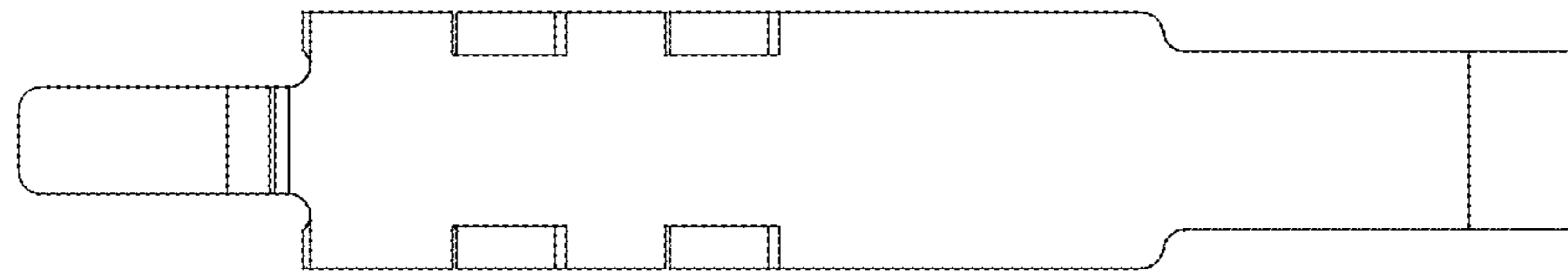


Fig.7