



US00D921587S

(12) **United States Design Patent**
Moriya

(10) **Patent No.:** **US D921,587 S**

(45) **Date of Patent:** **** Jun. 8, 2021**

(54) **CORE**

(71) Applicant: **SUMIDA CORPORATION**, Tokyo
(JP)

(72) Inventor: **Hitoshi Moriya**, Natori (JP)

(73) Assignee: **SUMIDA CORPORATION**

(**) Term: **15 Years**

(21) Appl. No.: **29/698,498**

(22) Filed: **Jul. 17, 2019**

(30) **Foreign Application Priority Data**

Jan. 23, 2019 (JP) 2019-001232
Jan. 23, 2019 (JP) 2019-001233
Jan. 23, 2019 (JP) 2019-001234

(51) **LOC (13) Cl.** **13-02**

(52) **U.S. Cl.**
USPC **D13/117**

(58) **Field of Classification Search**
USPC D13/101, 110, 117, 118, 119, 120, 121,
D13/122, 129, 133, 153, 179, 182, 183,
D13/199
CPC H01F 27/00; H01F 27/2866; H01F 41/06
See application file for complete search history.

(56) **References Cited**

U.S. PATENT DOCUMENTS

D330,189 S * 10/1992 Burrow D13/118
D385,848 S * 11/1997 Sato D13/118
6,522,230 B2 * 2/2003 Hanato H01F 17/045
336/192
7,312,682 B2 * 12/2007 Yasuda H01F 17/045
336/200
D649,115 S * 11/2011 Miura D13/117
D830,972 S * 10/2018 Numajiri D13/117
D842,248 S * 3/2019 Komaya D13/117
10,277,193 B2 4/2019 Tomonari et al.

10,692,639 B2 * 6/2020 Jerez H01F 27/292
2015/0042436 A1 * 2/2015 Arimitsu H01F 17/045
336/192
2018/0330869 A1 * 11/2018 Kim H01F 17/045
2018/0342346 A1 * 11/2018 Hashimoto H01F 27/24
(Continued)

FOREIGN PATENT DOCUMENTS

JP H08-21342 A 8/1996
JP 1257824 S 12/2005
JP 2017-216260 A 12/2017

OTHER PUBLICATIONS

“Common Mode Choke”. Found online Oct. 22, 2020 atcoilcraft.com. Reference dated Nov. 1, 2018. Retrieved from <https://www.coilcraft.com/getmedia/4e4ea8d-6d24-4c0b-815c-9af87a76485b/0603usb.pdf>. (Year: 2018).*
(Continued)

Primary Examiner — Kendra Leslie Hamilton
Assistant Examiner — Amanda Christensen
(74) *Attorney, Agent, or Firm* — Harness, Dickey & Pierce, P.L.C.

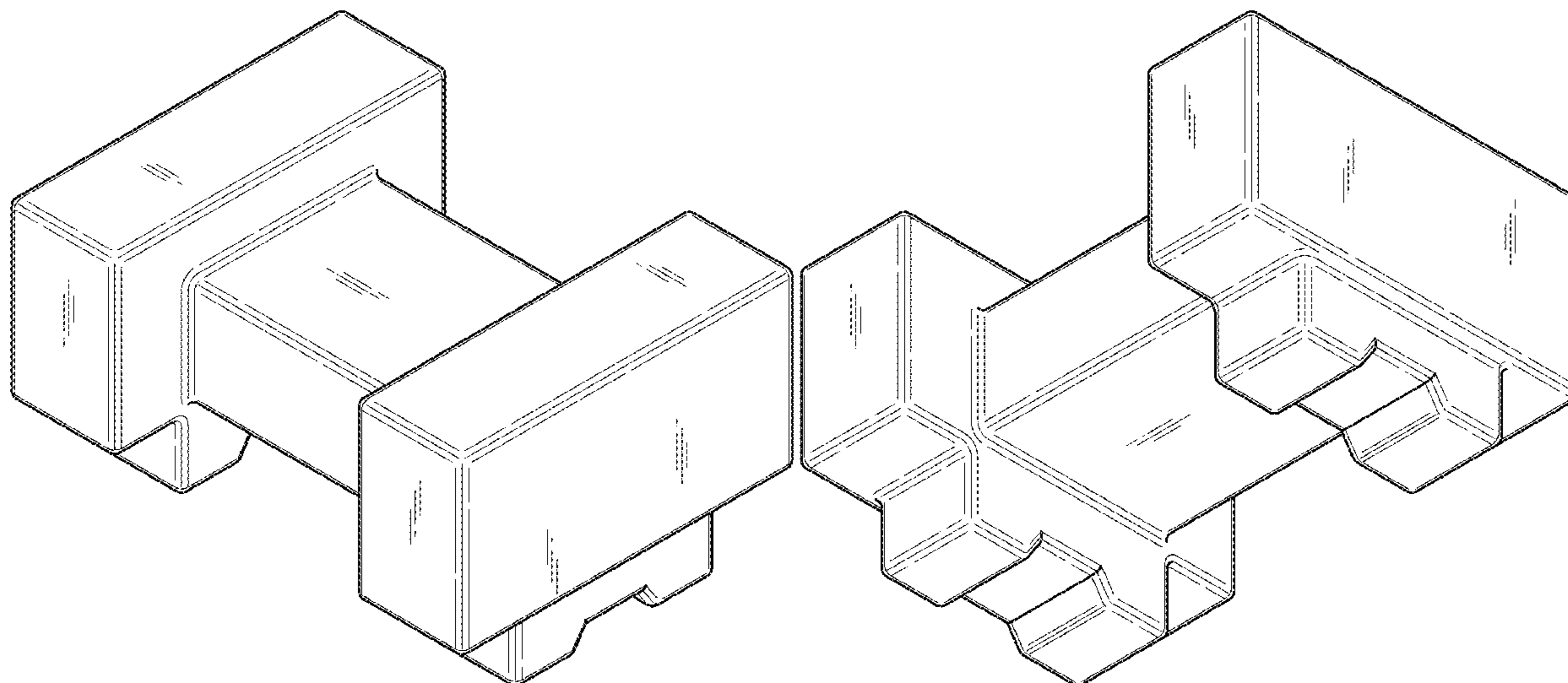
(57) **CLAIM**

The ornamental design for a core, as shown and described.

DESCRIPTION

FIG. 1 is a front elevation view of a core, showing my new design;
FIG. 2 is a rear elevation view thereof;
FIG. 3 is a right side elevation view thereof;
FIG. 4 is a left side elevation view thereof;
FIG. 5 is a top plan view thereof;
FIG. 6 is a bottom plan view thereof;
FIG. 7 is a top, front, left side perspective view thereof; and,
FIG. 8 bottom, front, left side perspective view thereof.

1 Claim, 8 Drawing Sheets



(56)

References Cited

U.S. PATENT DOCUMENTS

2019/0172630 A1* 6/2019 Asai H01F 17/04
2020/0335250 A1* 10/2020 Sukegawa H01F 27/2823

OTHER PUBLICATIONS

“Common-Mode Choke”. Found online Nov. 3, 2020 at [ateenewspower.com](http://www.ateenewspower.com). Reference dated Jun. 20, 2017. Retrieved from <https://www.eenewspower.com/news/32x25x25mm-common-mode-choke-targets-automotive-ethernet>. (Year: 2017).*

“Common Mode Choke Coil-Murata Manufacturing”. Found online Nov. 3, 2020 at corporate.murata.com. Reference dated Jan. 5, 2018. Retrieved from <https://tineye.com/search/4d2a07371a1d41a3ef423eaae06517555bc5ef6d?sort=score&order=desc&page=1>. (Year: 2018).*

Japanese Office Action for Application No. 2019-001233 dated Oct. 29, 2019 with English translation (4 pages).

Japanese Office Action for Application No. 2019-001234 dated Oct. 29, 2019 with English translation (4 pages).

Publication material No. HJ2906011000; http://www.tdk.co.jp/news_center/press/files/img/20160620_03.jpg; Feb. 9, 2018 (4 pages).

* cited by examiner

FIG. 1

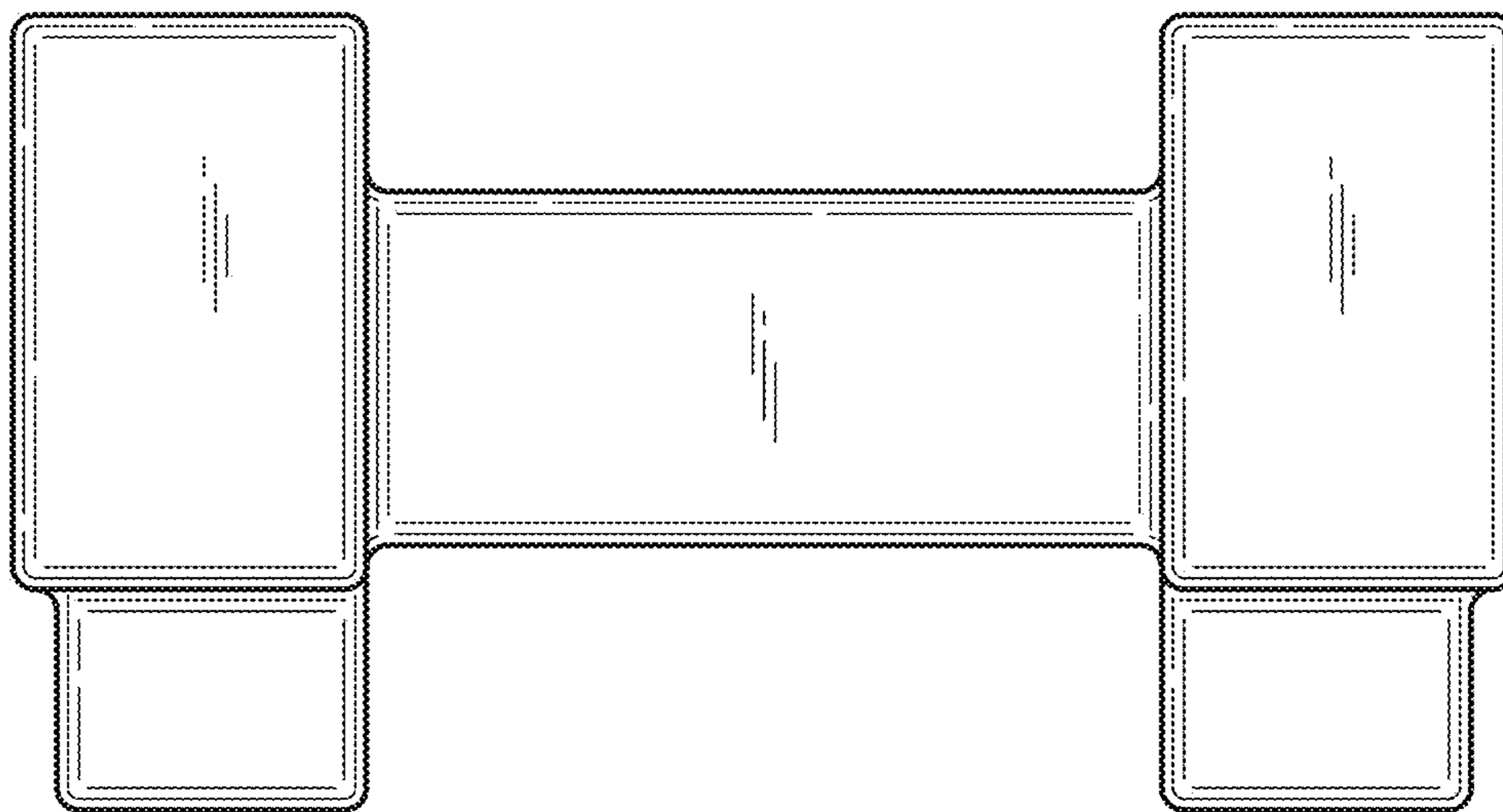


FIG. 2

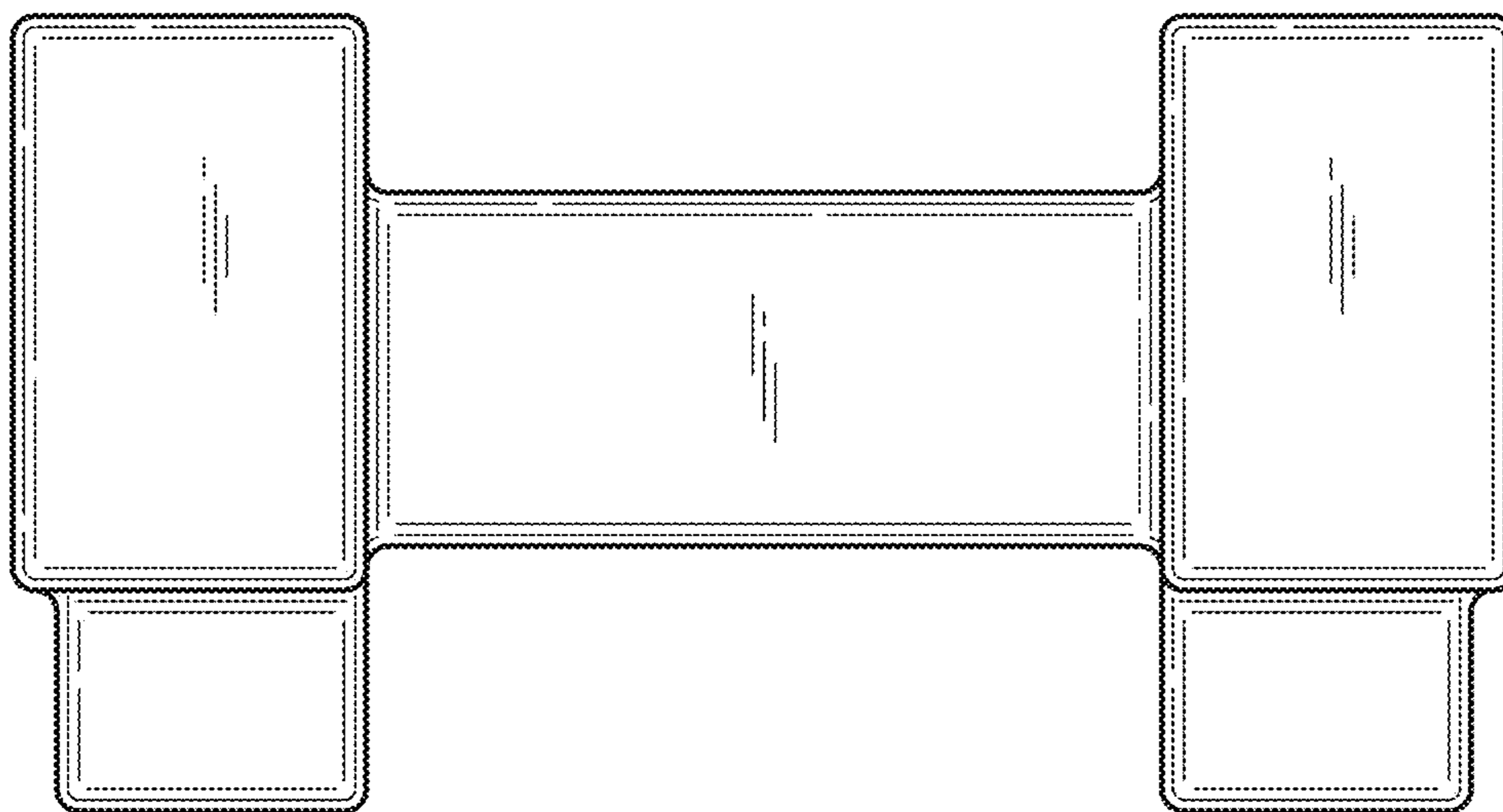


FIG. 3

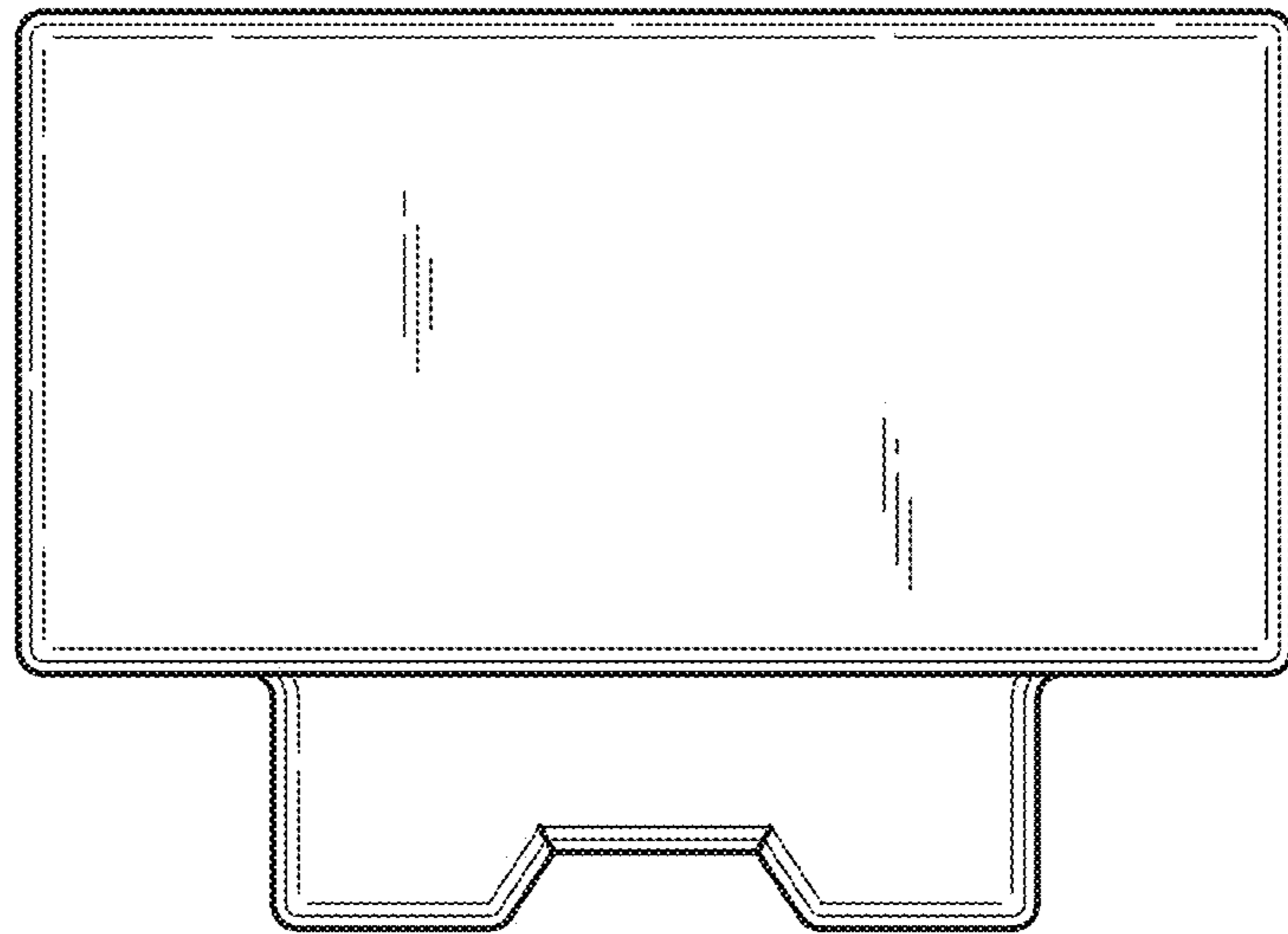


FIG. 4

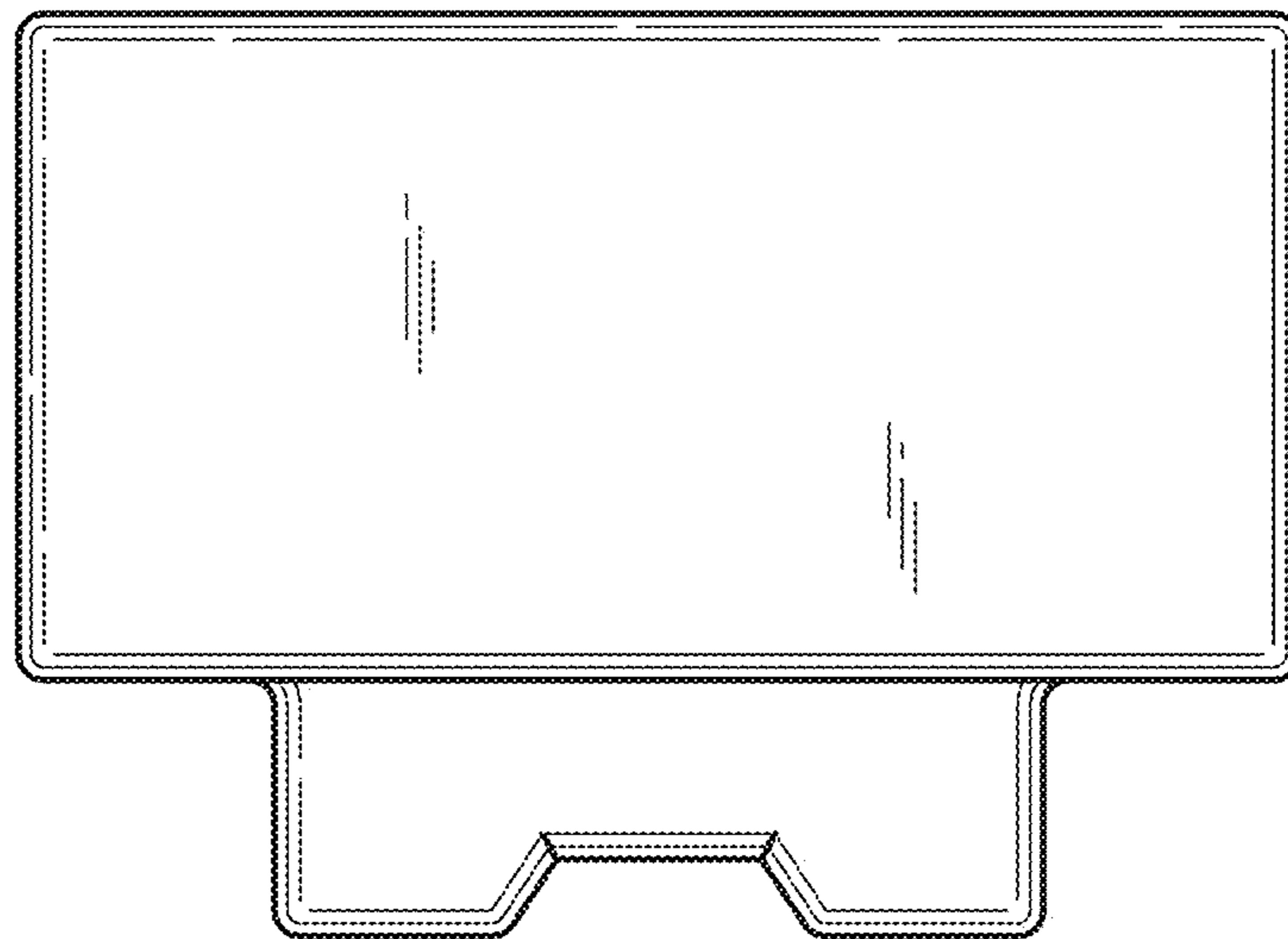


FIG. 5

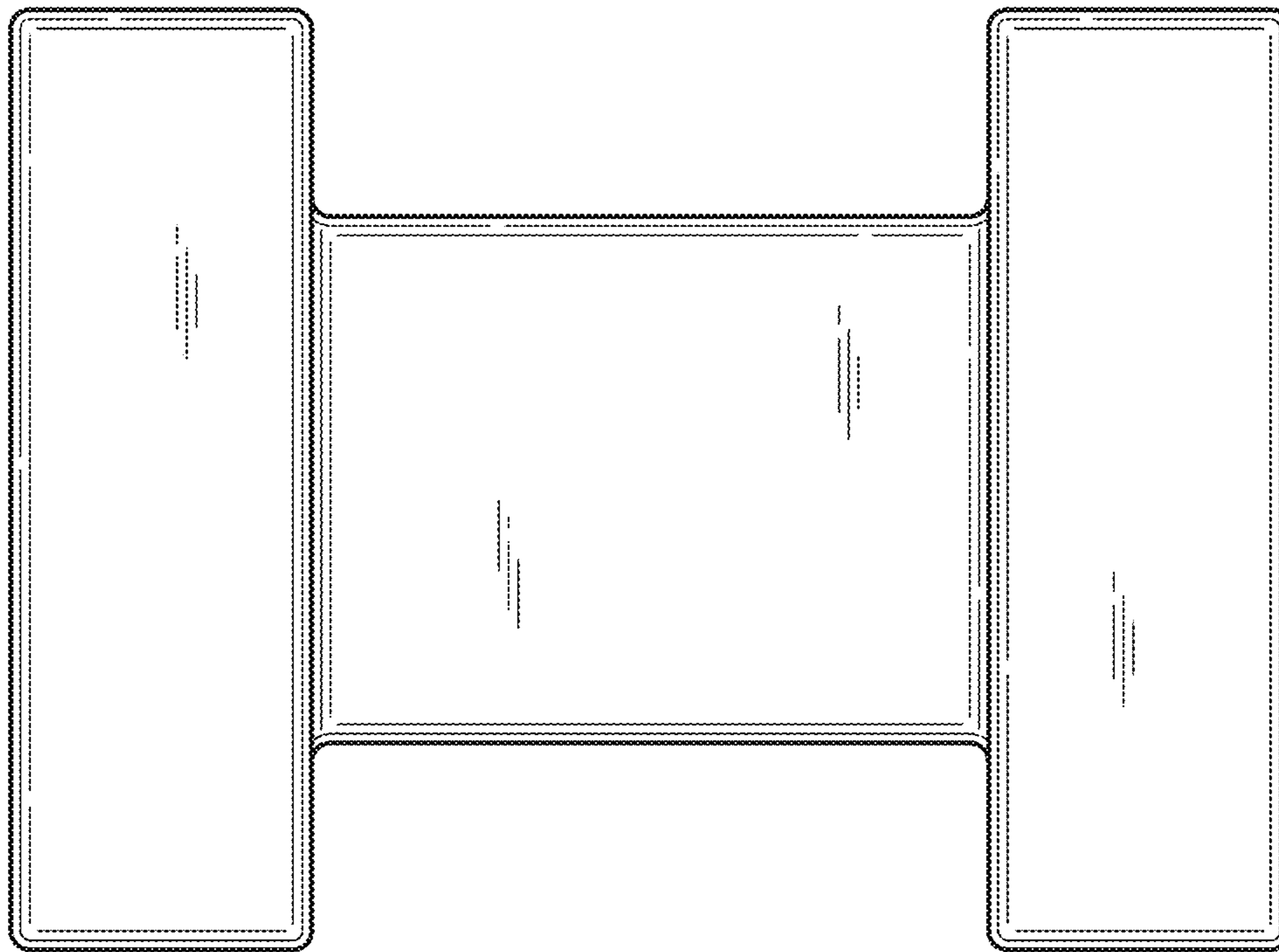


FIG. 6

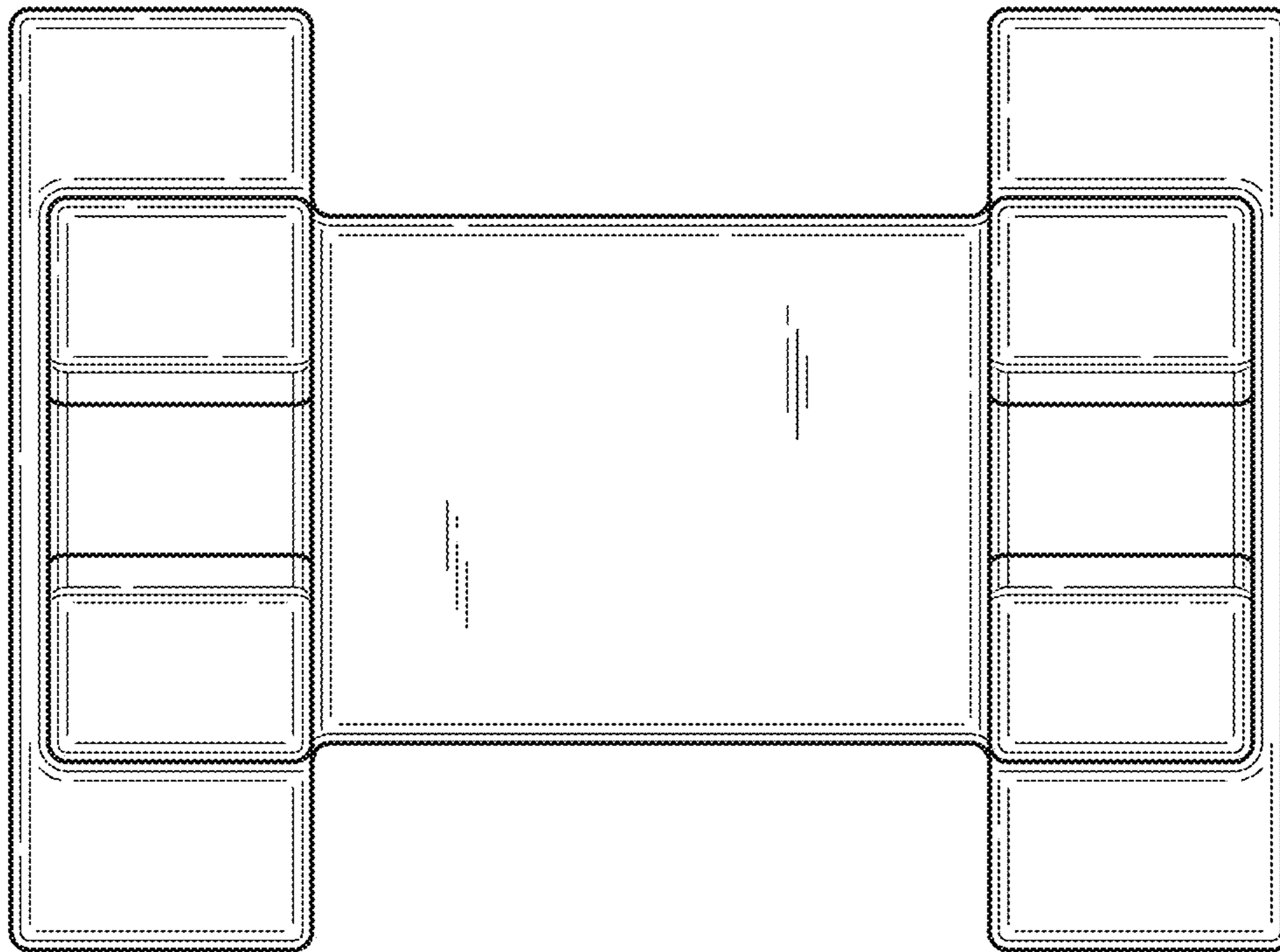


FIG. 7

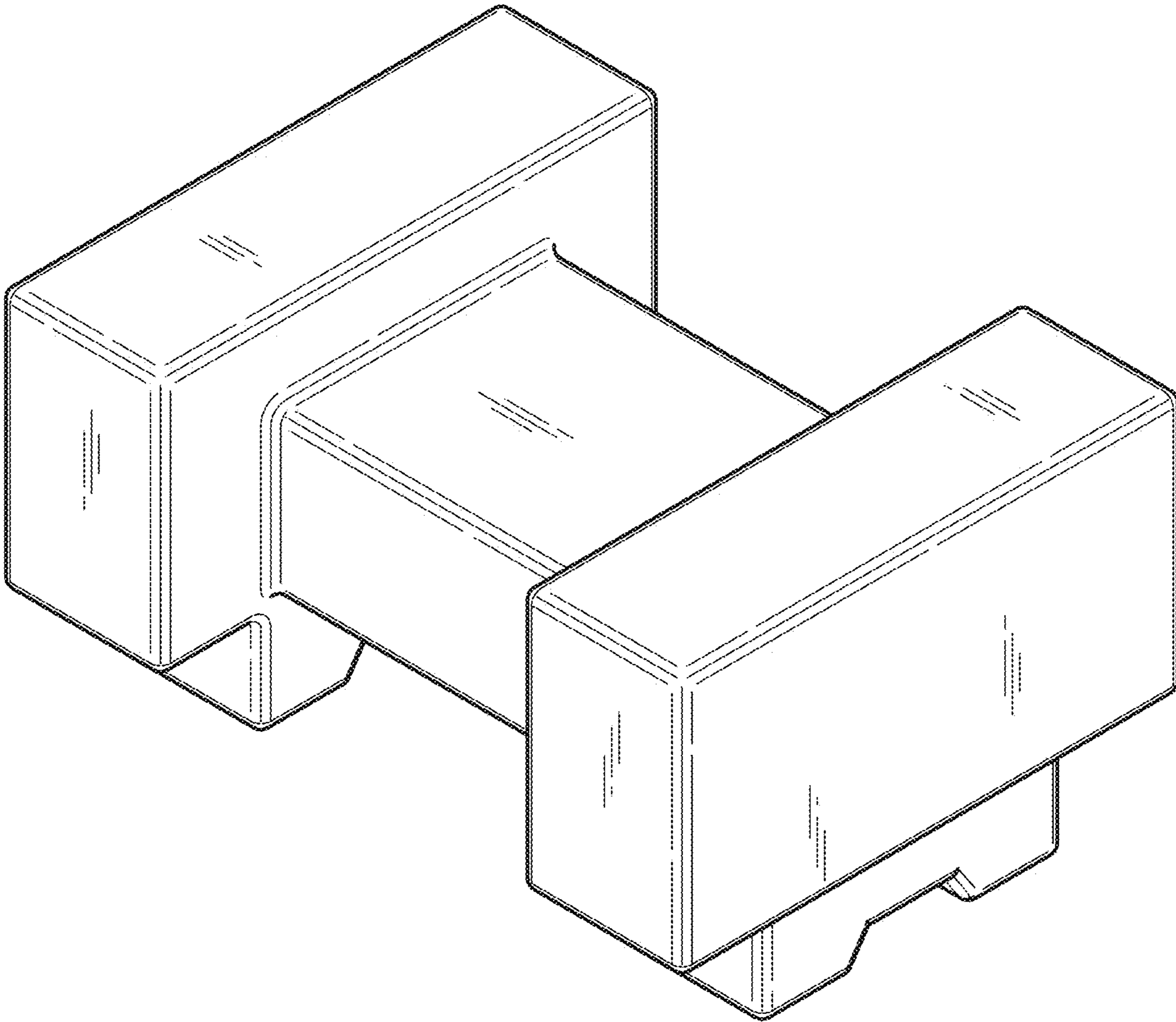


FIG. 8

