



US00D921582S

(12) **United States Design Patent**  
**Liu**

(10) **Patent No.:** **US D921,582 S**  
(45) **Date of Patent:** **\*\* Jun. 8, 2021**

(54) **CHARGING BOX FOR WIRELESS  
EARPHONES**

(71) Applicant: **Shenzhen Eriwin Technology  
Limited.**, Shenzhen (CN)

(72) Inventor: **Xiabo Liu**, Guangdong (CN)

(\*\*) Term: **15 Years**

(21) Appl. No.: **29/710,680**

(22) Filed: **Oct. 25, 2019**

(51) **LOC (13) Cl.** ..... **13-02**

(52) **U.S. Cl.**  
USPC ..... **D13/108**; D3/294

(58) **Field of Classification Search**  
USPC ..... D13/103, 107, 108, 118, 119, 184;  
D3/201, 208, 218, 266, 273, 274, 294,  
D3/301, 302; D14/223, 251, 432, 434;  
D9/414, 420, 423, 430, 503  
CPC .. H01M 2/02; G06F 1/1628; A45C 2011/001;  
B65D 43/16

See application file for complete search history.

(56) **References Cited**

**U.S. PATENT DOCUMENTS**

D548,970	S	*	8/2007	Huang	.....	D3/294
D634,707	S	*	3/2011	Hosier	.....	D13/108
D686,986	S	*	7/2013	Franco	.....	D13/108
D786,093	S	*	5/2017	Christie	.....	D9/748
D832,208	S	*	10/2018	Grois	.....	D13/108
D851,035	S	*	6/2019	Hong	.....	D13/108
D881,810	S	*	4/2020	Zhang	.....	D13/108
D888,664	S	*	6/2020	Ma	.....	D13/108
D897,664	S	*	10/2020	Li	.....	D3/201
D904,024	S	*	12/2020	Koneru	.....	D3/294
2007/0256946	A1	*	11/2007	Godshaw	.....	B65D 43/16 206/320
2020/0110569	A1	*	4/2020	Deng	.....	H04R 1/028
2020/0216228	A1	*	7/2020	Wang	.....	B65D 25/04

**OTHER PUBLICATIONS**

“Noise Shots X5”. Found online Dec. 10, 2020 at youtube.com. Reference dated Nov. 20, 2018. Retrieved from https://www.youtube.com/watch?v=oKJE5H5Cavg. (Year: 2018).\*  
“EnacFire Wireless Earbuds”. Found online Dec. 16, 2020 at youtube.com. Reference dated Jan. 28, 2019. Retrieved from https://www.youtube.com/watch?v=5vzUT88RGzs. (Year: 2019).\*  
“Soundmoov 316T Mini Wireless Earbuds with Charging Box”. Found online Dec. 10, 2020 at us.amazon.com. Reference dated Jun. 10, 2017. Retrieved from https://us.amazon.com/dp/B071WZ4C32. (Year: 2017).\*

\* cited by examiner

*Primary Examiner* — Catherine S Posthauer  
*Assistant Examiner* — Amanda Christensen

(57) **CLAIM**

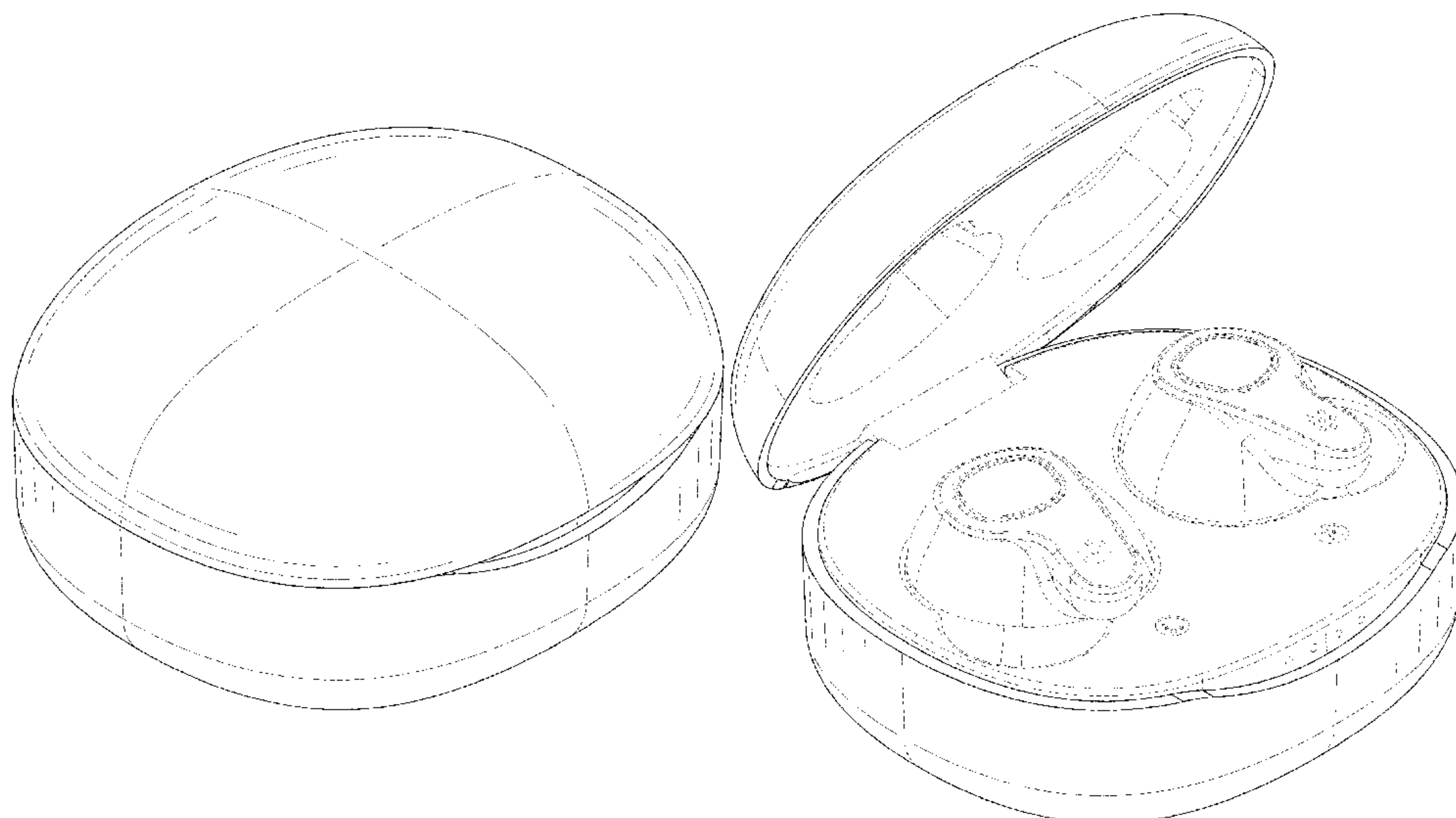
The ornamental design for a charging box for wireless earphones, as shown and described.

**DESCRIPTION**

FIG. 1 is a front, top, left side perspective view of a charging box for wireless earphones, showing my new design closed in a first configuration;  
FIG. 2 is a rear, bottom perspective view thereof;  
FIG. 3 is a front elevation view thereof;  
FIG. 4 is a rear elevation view thereof;  
FIG. 5 is a left side elevation view thereof;  
FIG. 6 is a right side elevation view thereof;  
FIG. 7 is a top plan view thereof;  
FIG. 8 is a bottom plan view thereof; and,  
FIG. 9 is a top, front, left side perspective view of the charger for earphones of FIG. 1, shown open in a condition of use in a second configuration.

The broken lines in the drawings depict portions of the charging box for wireless earphones that form no part of the claimed design. In FIG. 9, the broken lines showing earphones depict environmental subject matter only, and form no part of the claimed design.

**1 Claim, 9 Drawing Sheets**



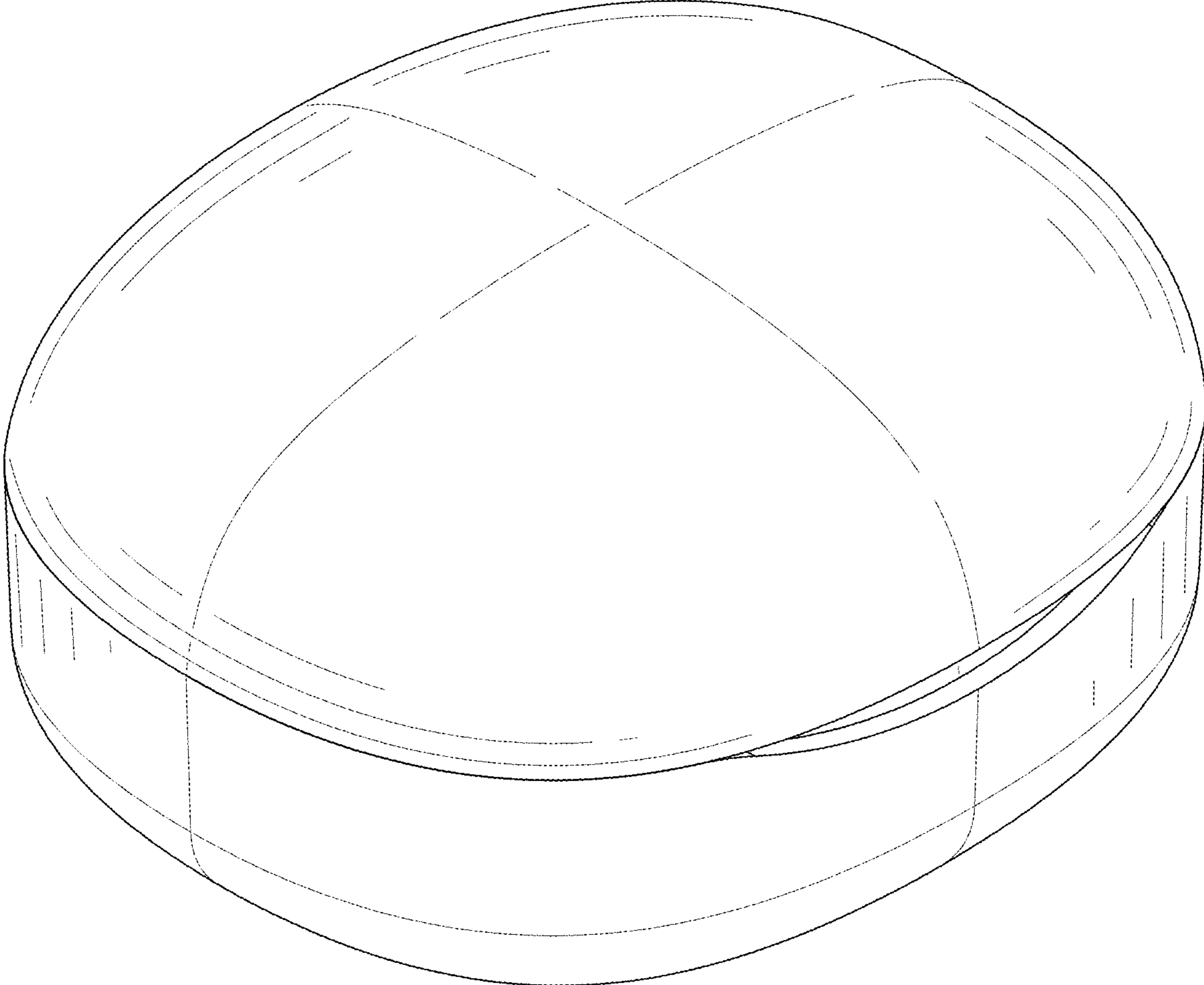


FIG. 1

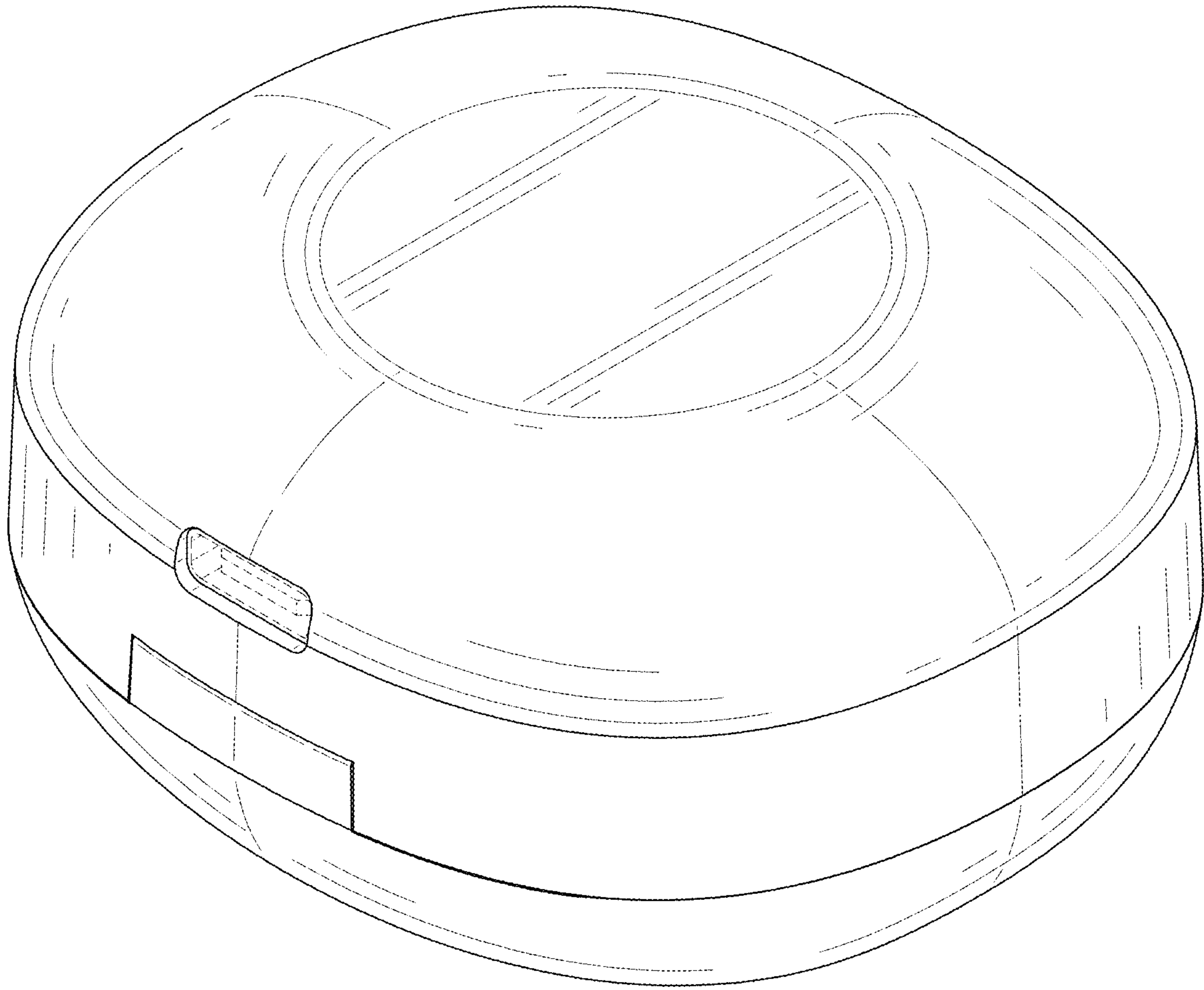


FIG. 2

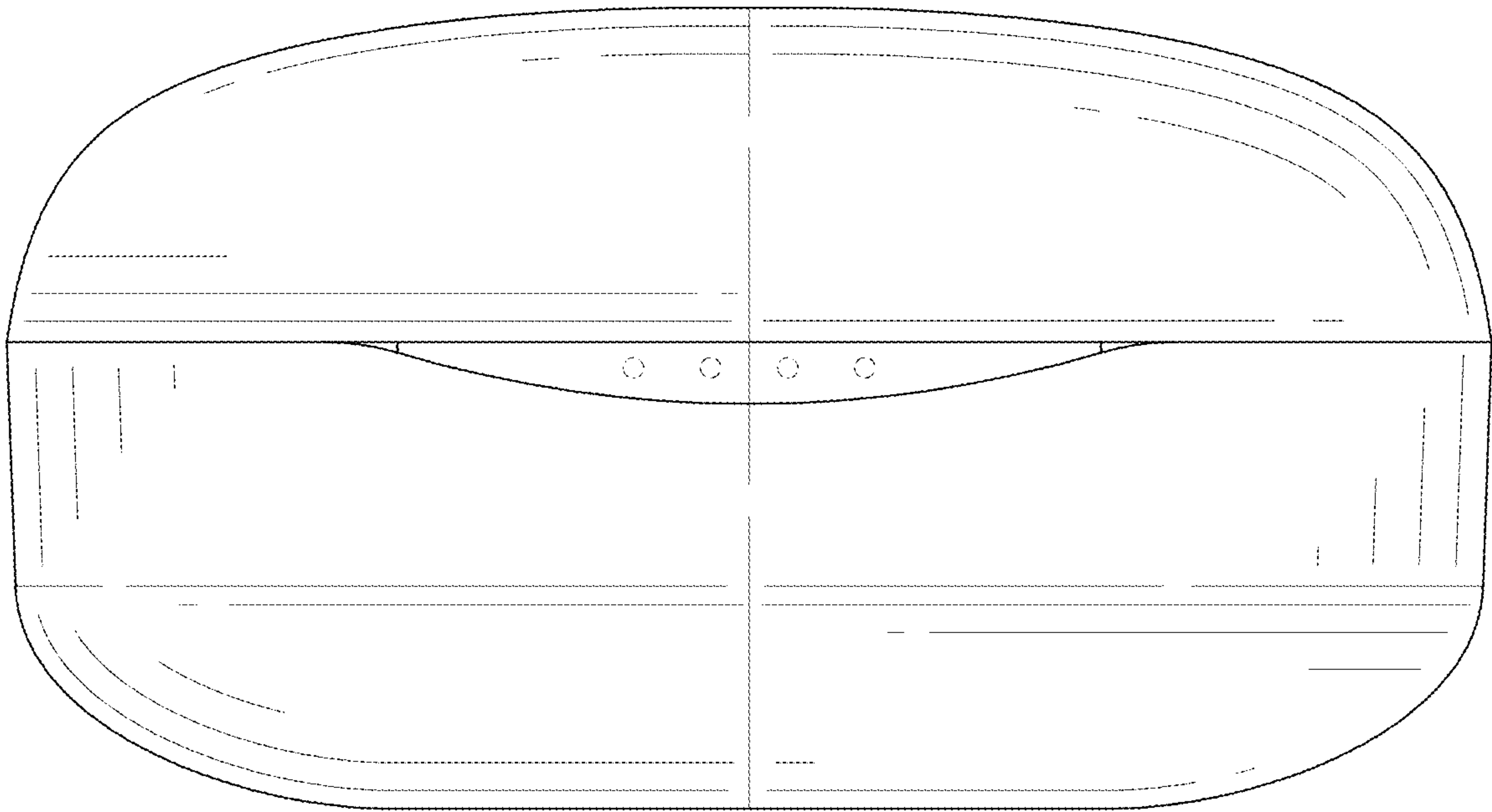


FIG. 3

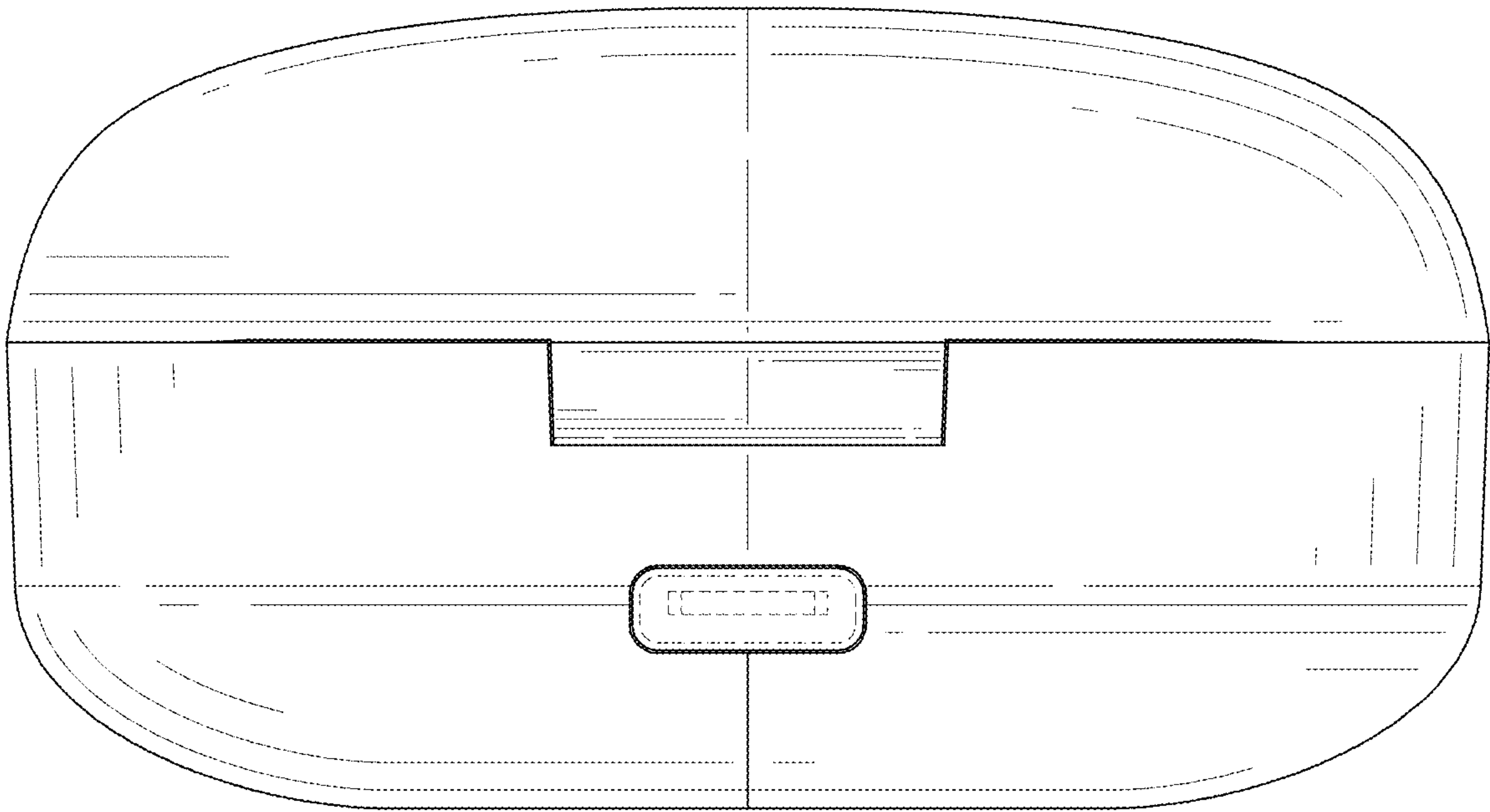


FIG. 4

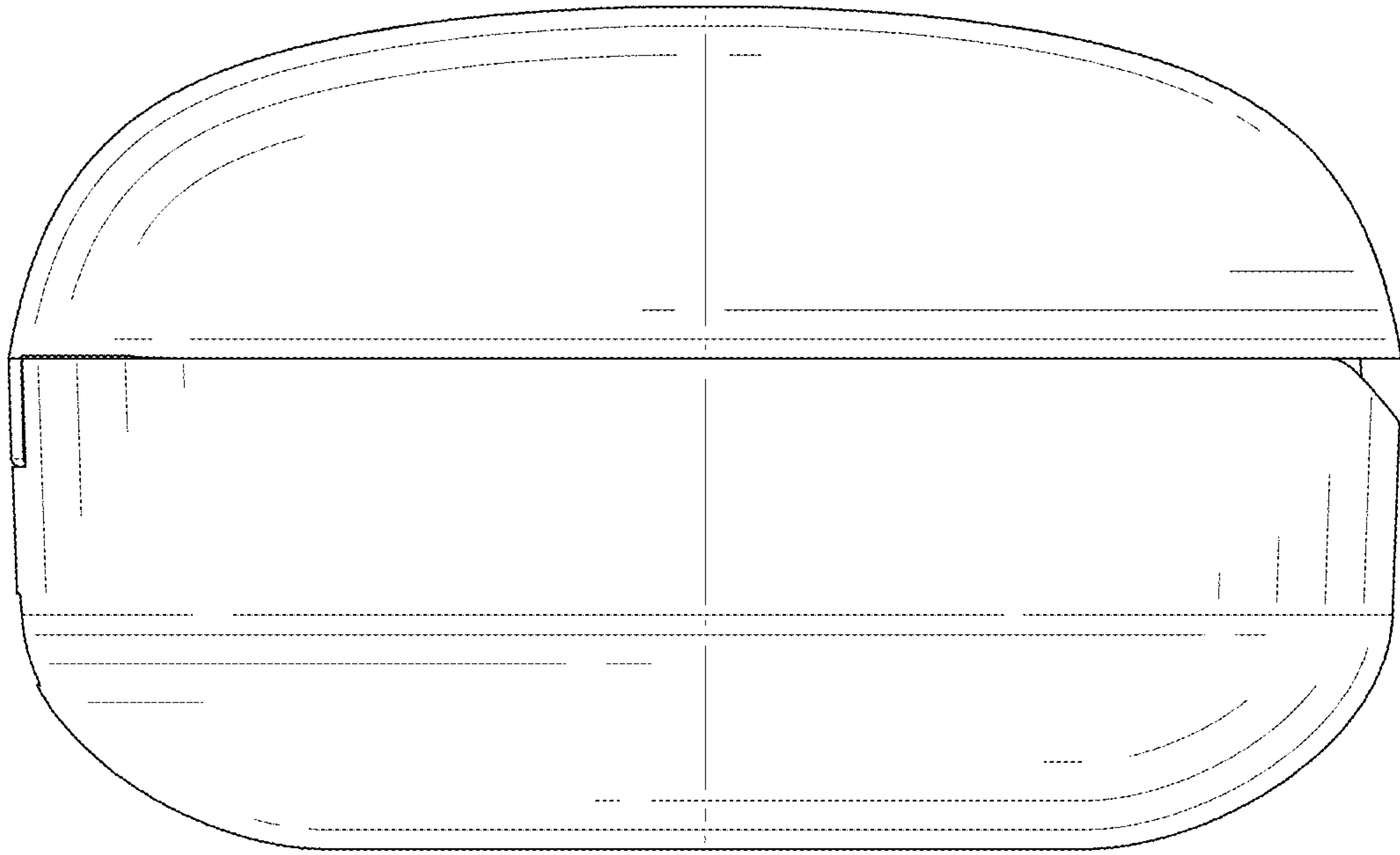


FIG. 5



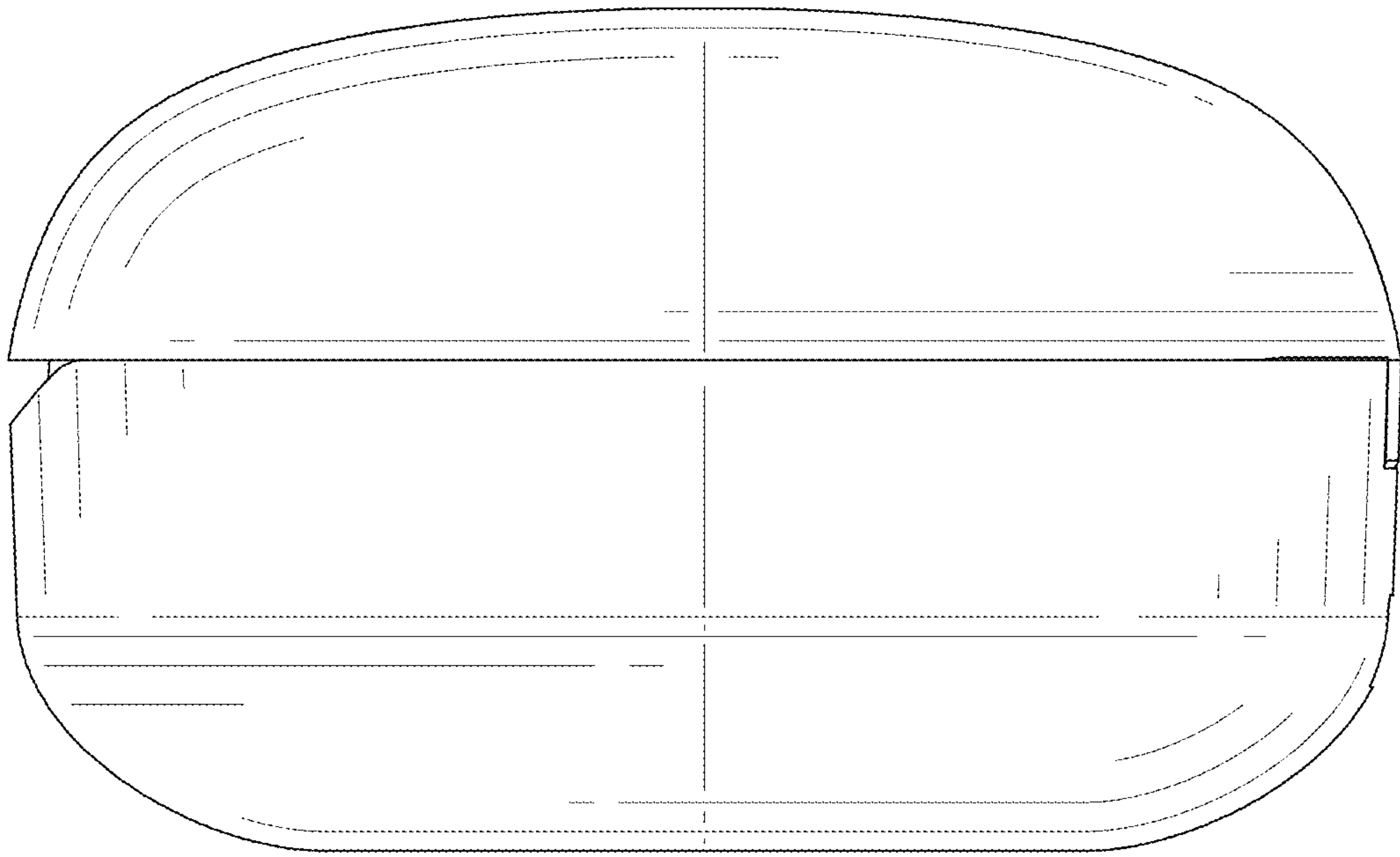


FIG. 6

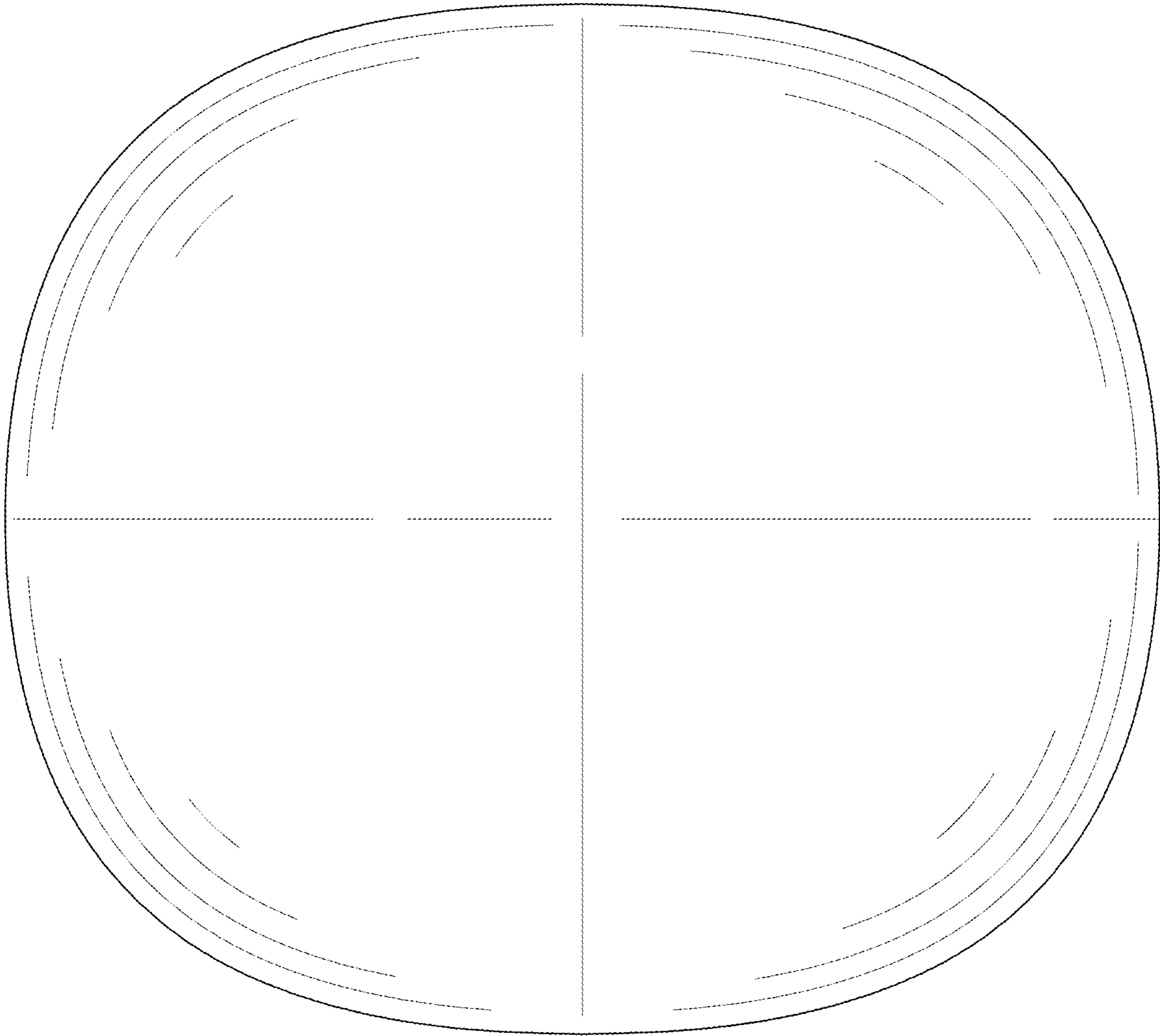


FIG. 7



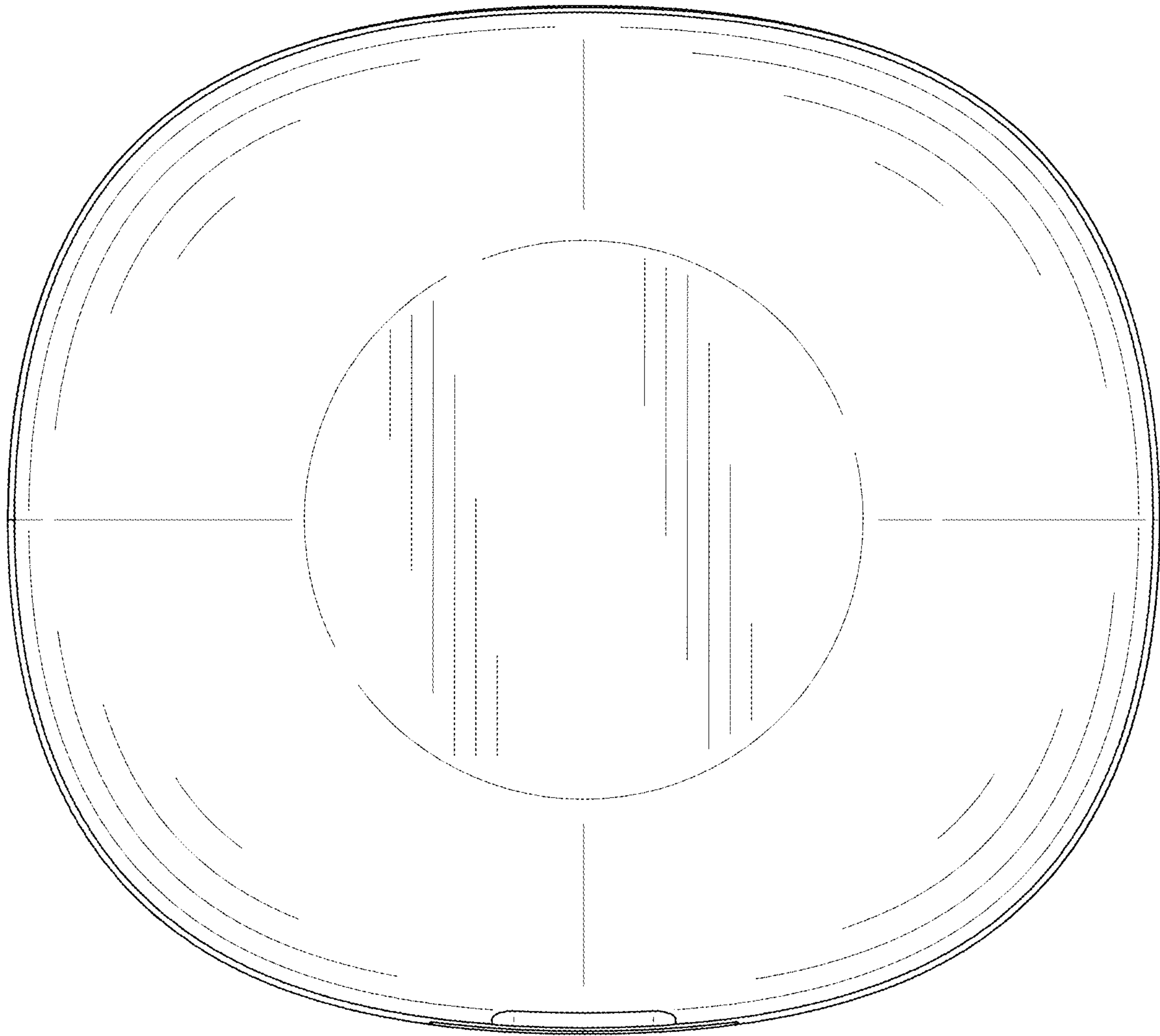


FIG. 8

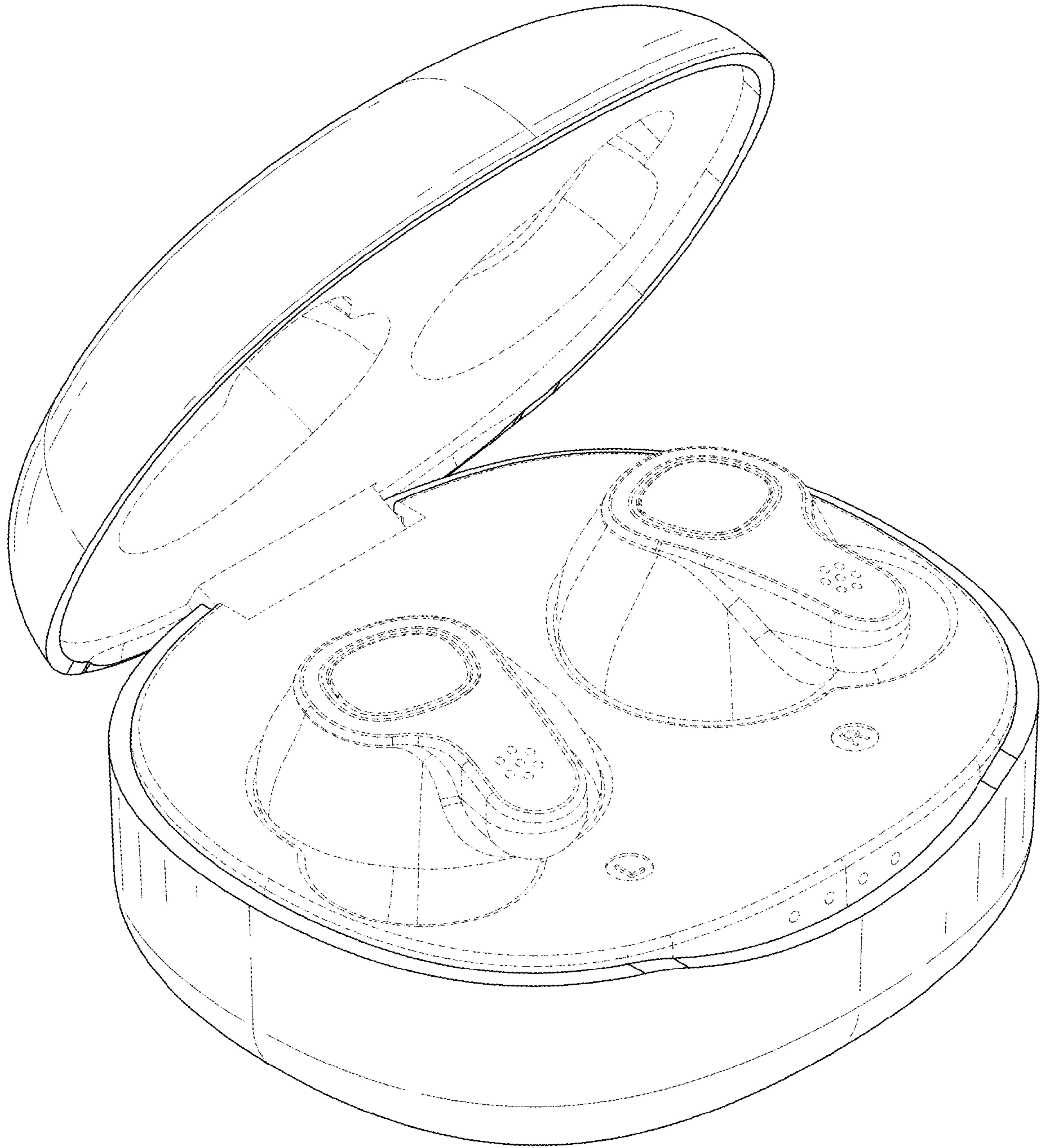


FIG. 9