



US00D921580S

(12) **United States Design Patent** (10) **Patent No.:** **US D921,580 S**  
**Duman et al.** (45) **Date of Patent:** **\*\* Jun. 8, 2021**

(54) **BATTERY**

(56) **References Cited**

(71) Applicant: **MOTOROLA SOLUTIONS, INC.**,  
Chicago, IL (US)

U.S. PATENT DOCUMENTS

(72) Inventors: **Goktug Duman**, Oakland Park, FL  
(US); **Ryan M Nilsen**, Plantation, FL  
(US); **William Robertson**, Pompano  
Beach, FL (US)

D306,574	S	*	3/1990	Schultz	.....	D13/103
D345,727	S	*	4/1994	Flowers	.....	D13/103
D547,264	S	*	7/2007	Kondo	.....	D13/103
D576,545	S	*	9/2008	Mandel	.....	D13/103
D597,482	S	*	8/2009	Kondo	.....	D13/103
D623,589	S	*	9/2010	Tarter	.....	D13/103
D681,549	S	*	5/2013	Jackson	.....	D13/103
D682,195	S	*	5/2013	Aglassinger	.....	D13/103
D694,176	S	*	11/2013	Buetow	.....	D13/103
D699,672	S	*	2/2014	Kosugi	.....	D13/103
D740,222	S	*	10/2015	Tang	.....	D13/103
D741,794	S	*	10/2015	Wright	.....	D13/103
D818,949	S	*	5/2018	Dunkin	.....	D13/103
D913,214	S	*	3/2021	Duman	.....	D13/103
2008/0254349	A1	*	10/2008	Gong	.....	H04M 1/0262 429/96

(73) Assignee: **MOTOROLA SOLUTIONS, INC.**,  
Chicago, IL (US)

(\*\*) Term: **15 Years**

(21) Appl. No.: **29/728,033**

(22) Filed: **Mar. 16, 2020**

**Related U.S. Application Data**

(63) Continuation of application No. 29/674,195, filed on  
Dec. 20, 2018, now Pat. No. Des. 913,214.

*Primary Examiner* — Catherine S Posthauer

*Assistant Examiner* — Alison M Ofstun

(74) *Attorney, Agent, or Firm* — Raguraman Kumaresan

(51) **LOC (13) Cl.** ..... **13-02**

(57) **CLAIM**

(52) **U.S. Cl.**  
USPC ..... **D13/103**

The ornamental design for a battery, as shown and described.

(58) **Field of Classification Search**

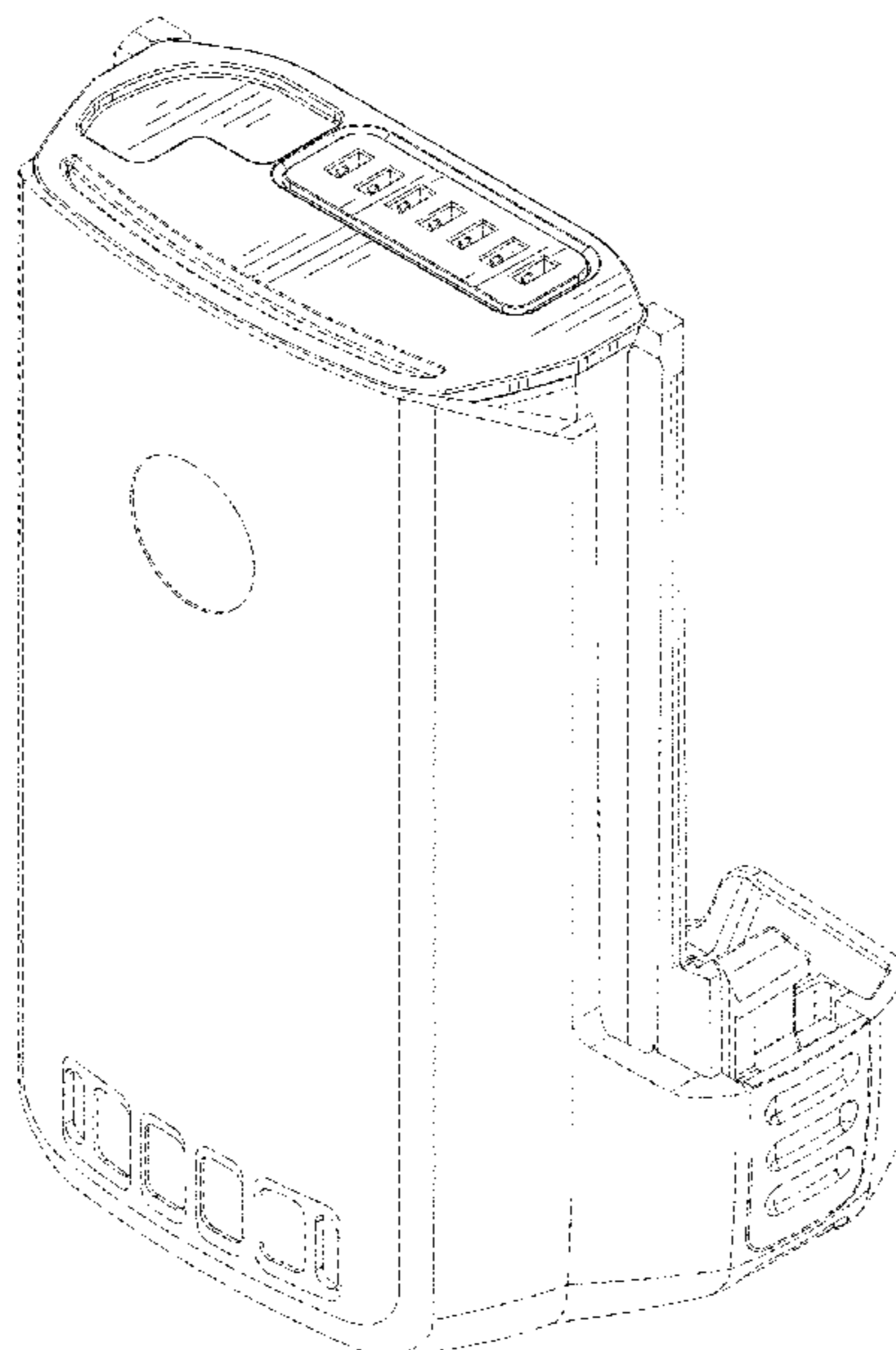
**DESCRIPTION**

USPC ..... D13/102–110, 118–120, 146, 147,  
D13/151–155, 184  
CPC ..... H01M 2/02; H01M 2/022; H01M 2/0202;  
H01M 2/0207; H01M 2/0212; H01M  
2/1061; H01M 2/1022; H01M 2/1055;  
H01M 2/1066; H01M 2/105; H01M 2/20;  
H01M 2/202; H01M 2/204; H01M 2/206;  
H01M 10/44; H01M 10/46; H01M  
10/465; H01M 10/482; H01M 2200/30;  
H01M 2250/30; H01M 2250/40; H02J  
7/00; H02J 7/0003; H02J 7/0011; H02J  
7/0013; H02J 7/0054; H02J 7/0055; H02J  
7/0057

FIG. 1 is a front perspective view of a battery, showing our  
new design;  
FIG. 2 is a rear perspective view thereof;  
FIG. 3 is a front view thereof;  
FIG. 4 is a rear view thereof;  
FIG. 5 is a first side view thereof;  
FIG. 6 is a second side view thereof;  
FIG. 7 is a top view thereof; and,  
FIG. 8 is a bottom view thereof.  
In the drawings the broken lines illustrate portions of the  
article which form no part of the claimed design.

See application file for complete search history.

**1 Claim, 8 Drawing Sheets**



(56)

**References Cited**

U.S. PATENT DOCUMENTS

2009/0229842 A1\* 9/2009 Gray ..... H01M 10/488  
173/20  
2013/0196203 A1\* 8/2013 Wackwitz ..... H01M 50/20  
429/96  
2015/0155726 A1\* 6/2015 Duan ..... H01H 13/50  
320/113

\* cited by examiner

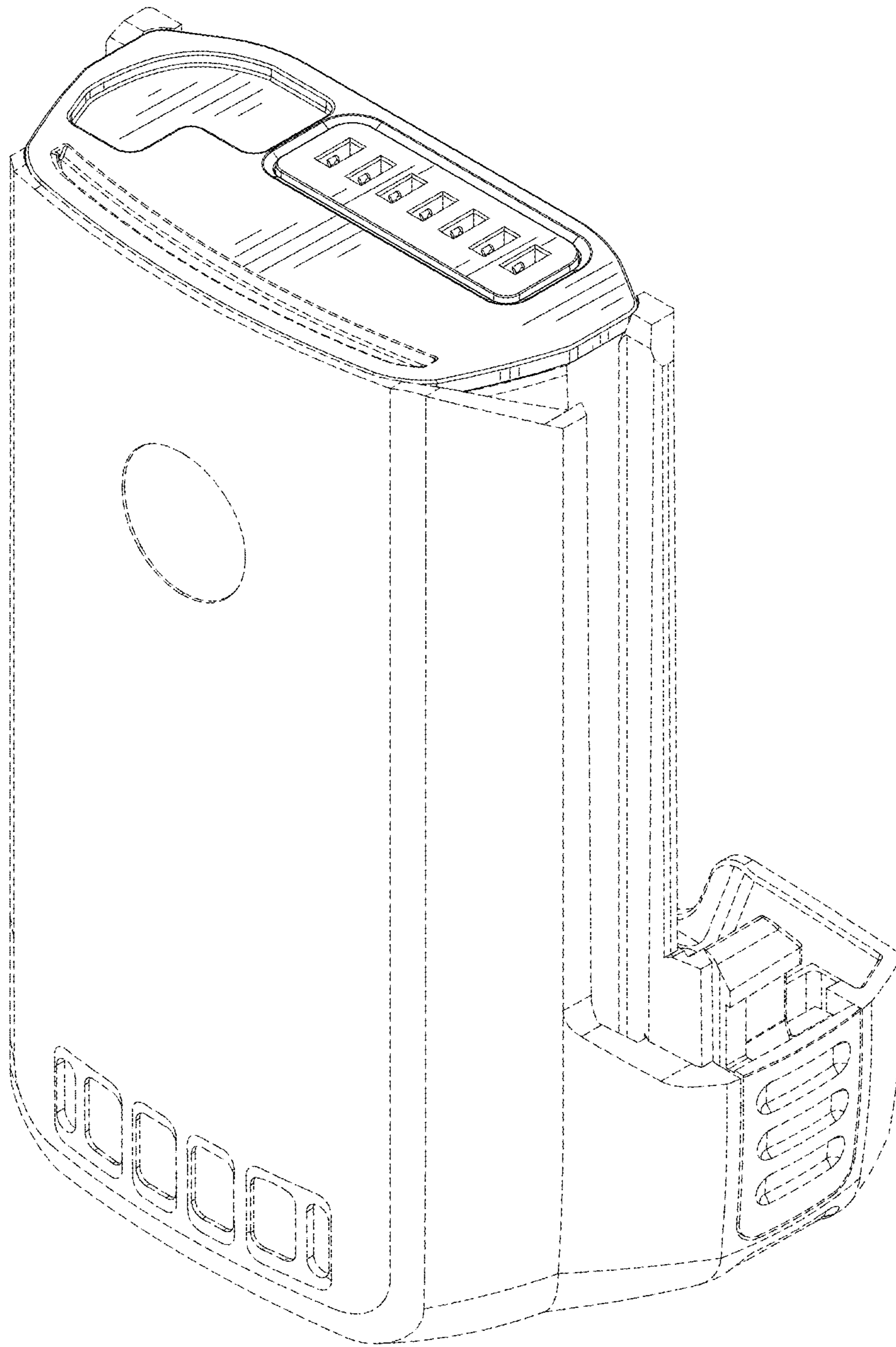


FIG. 1

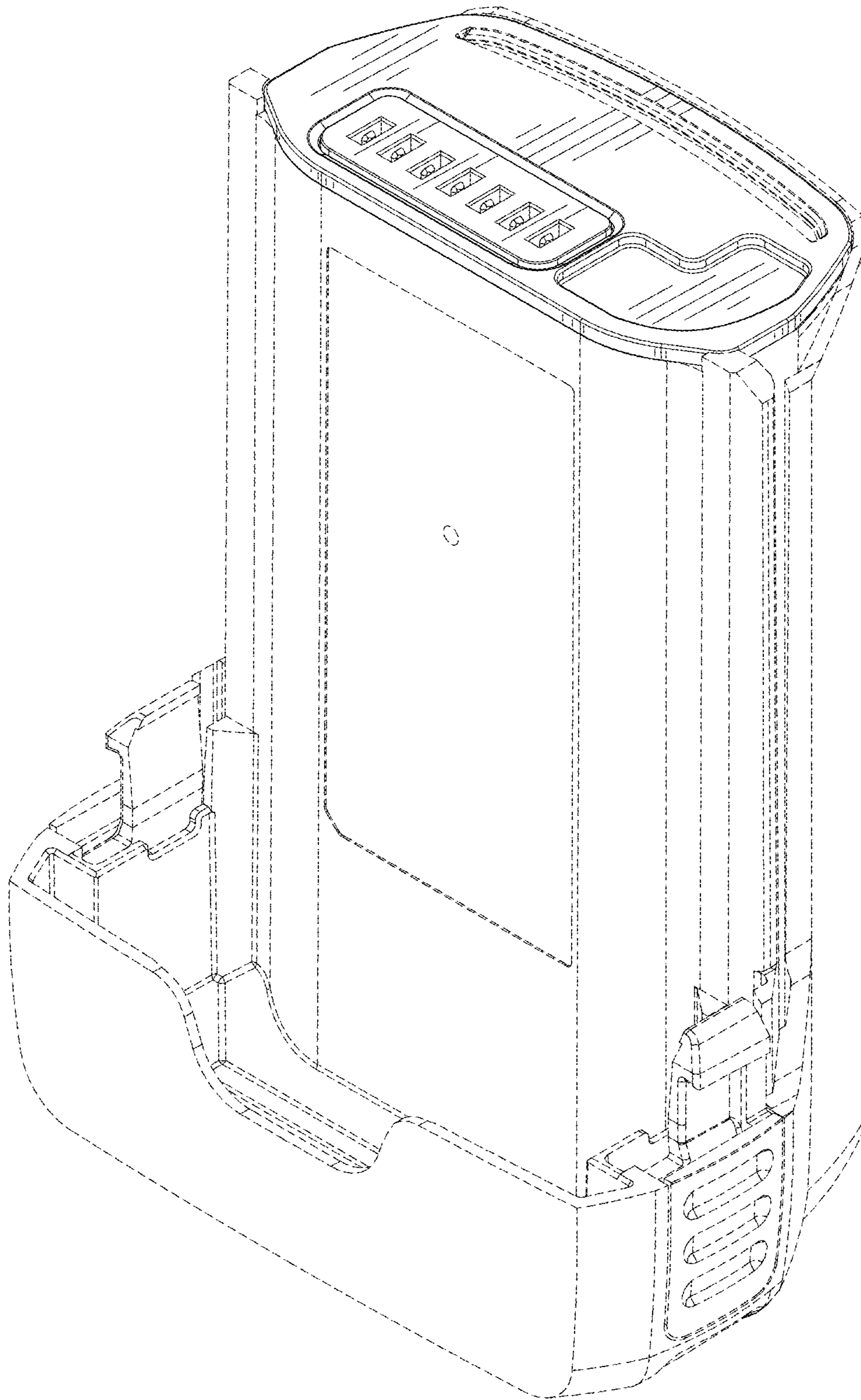


FIG. 2

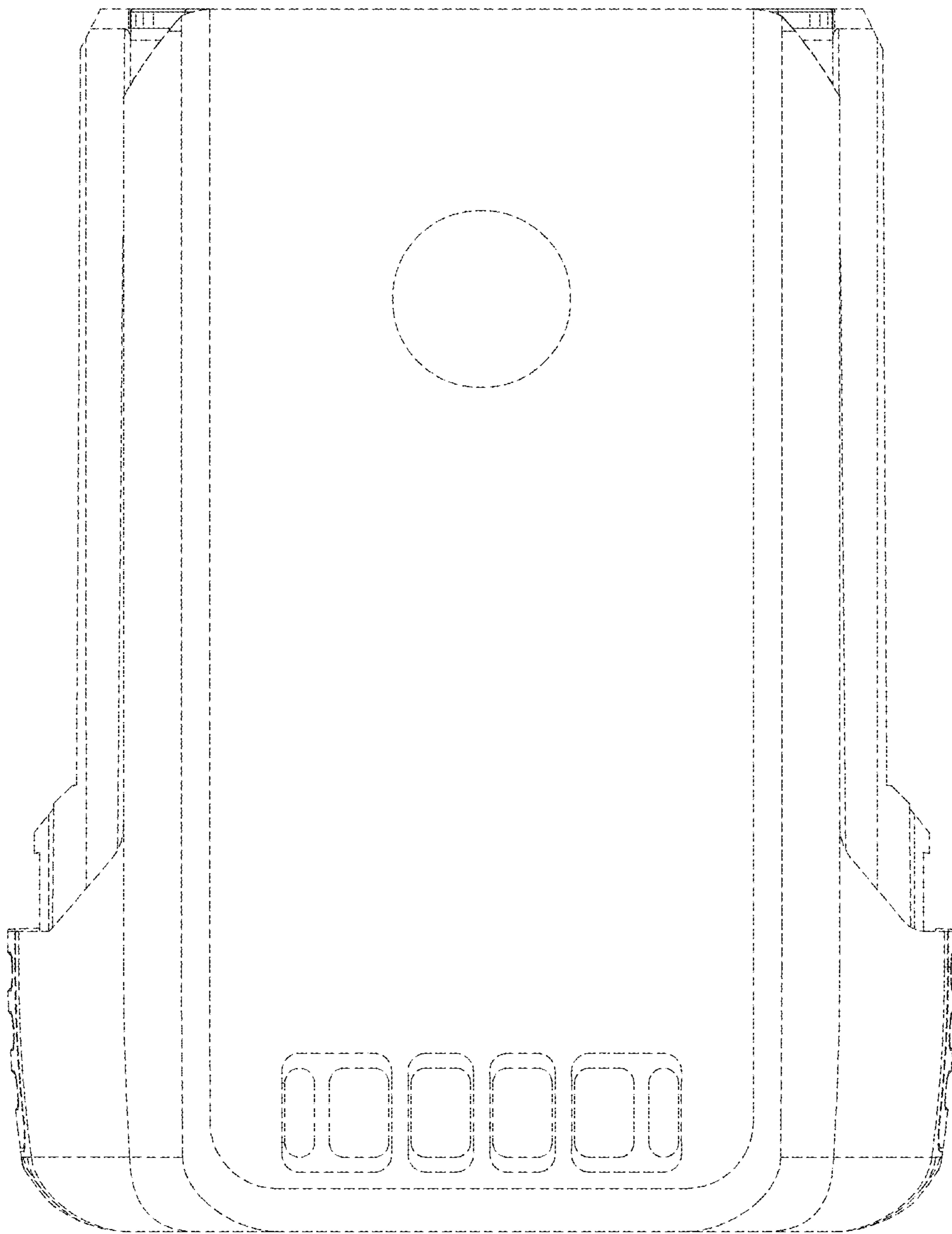


FIG. 3

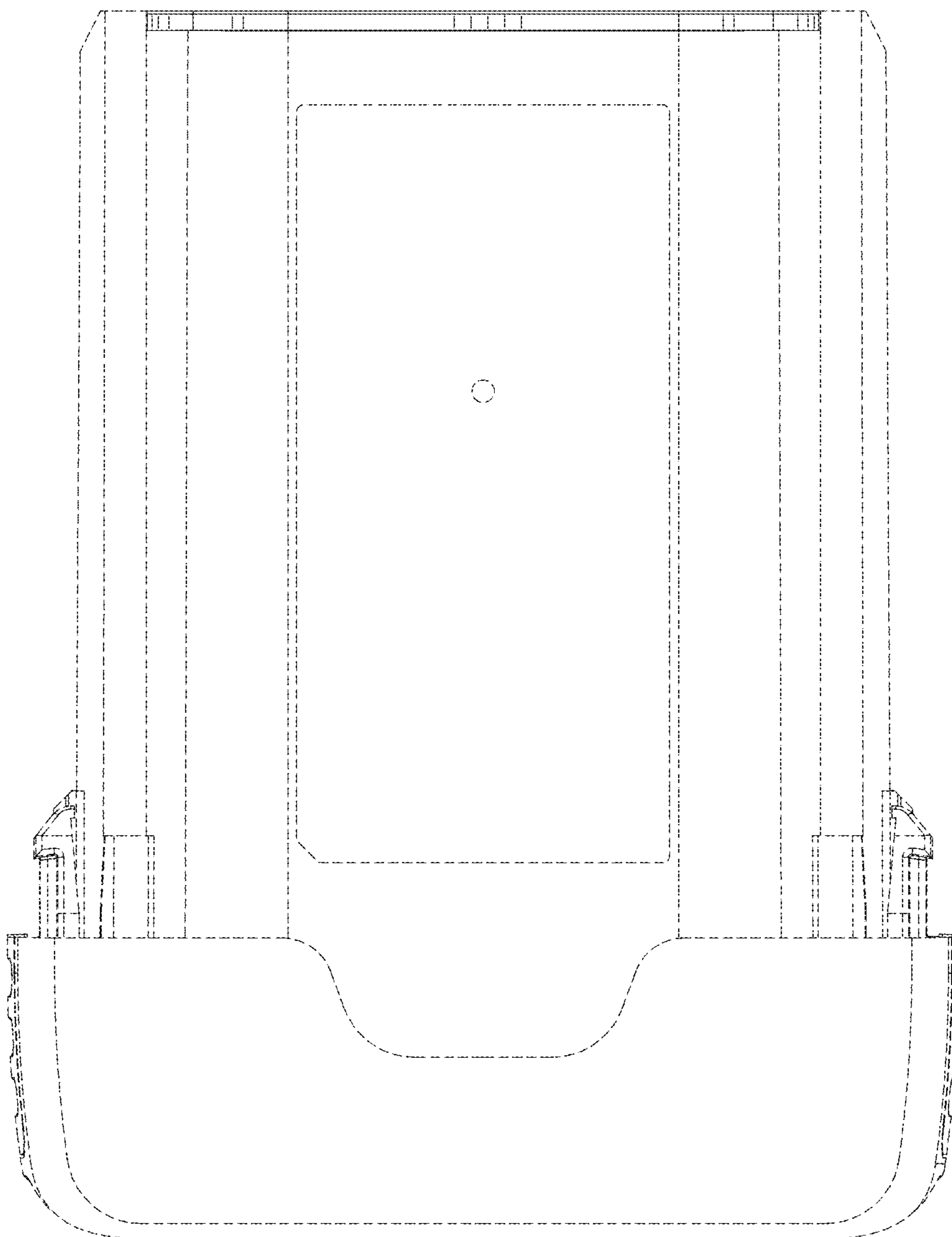


FIG. 4

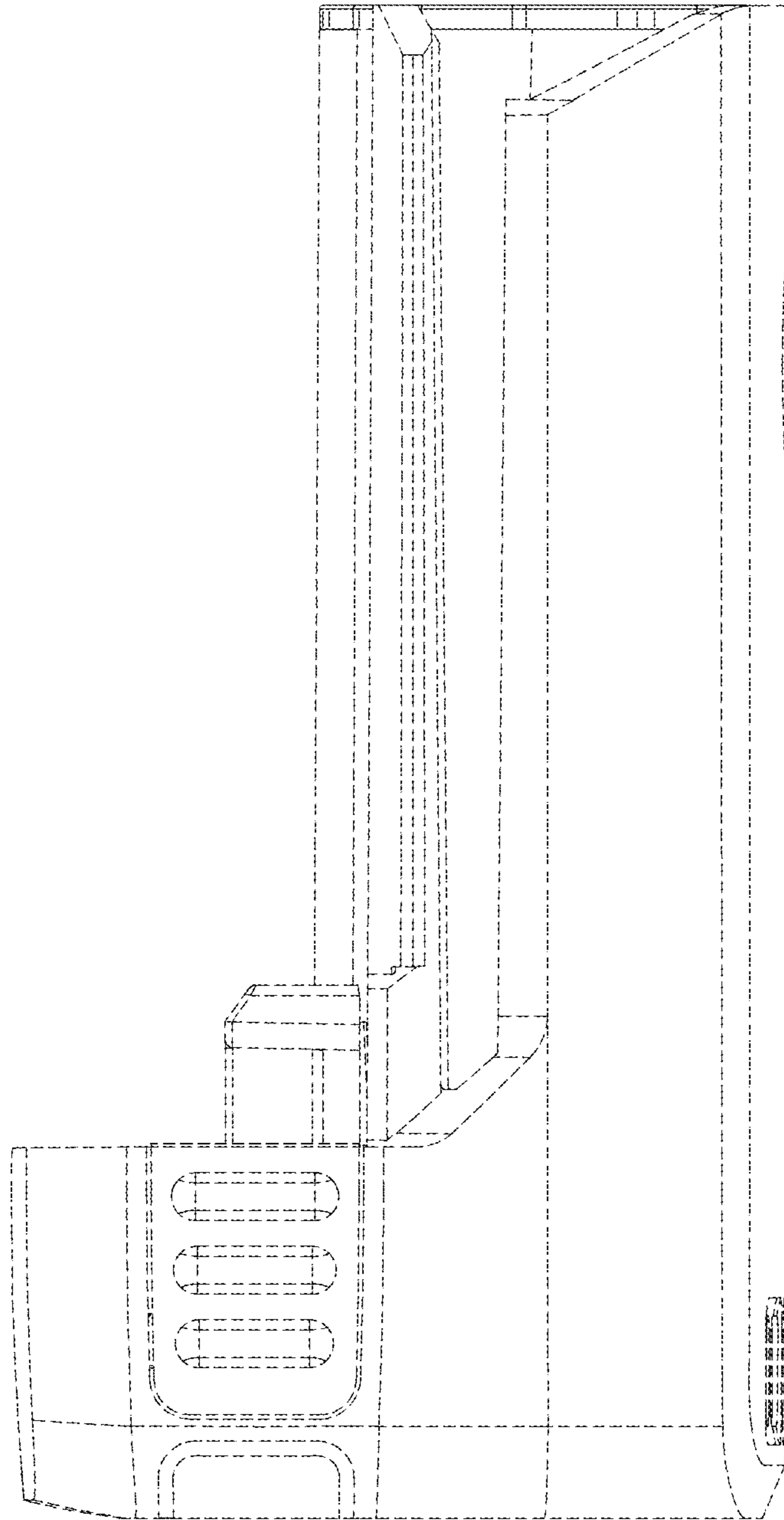


FIG. 5

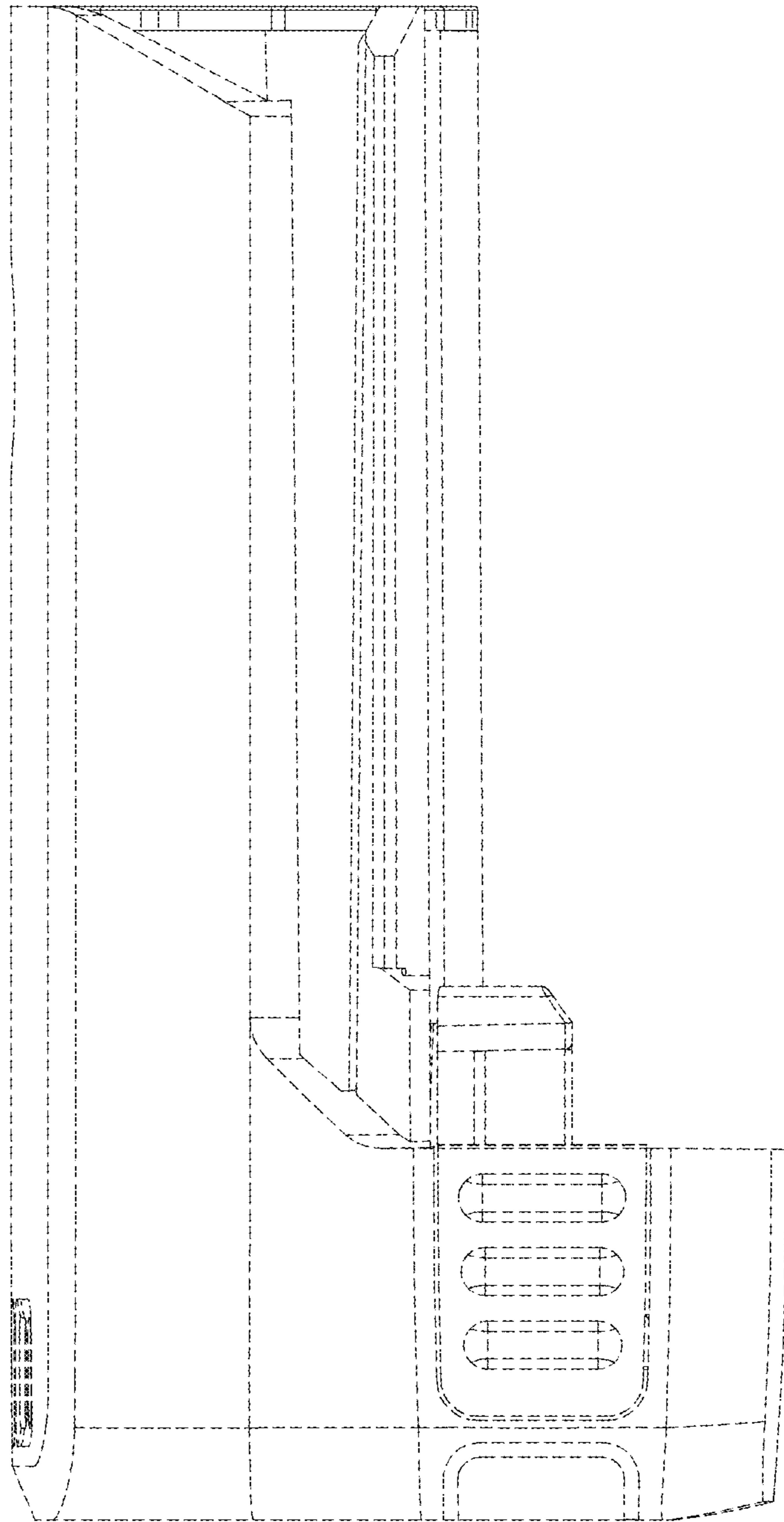


FIG. 6



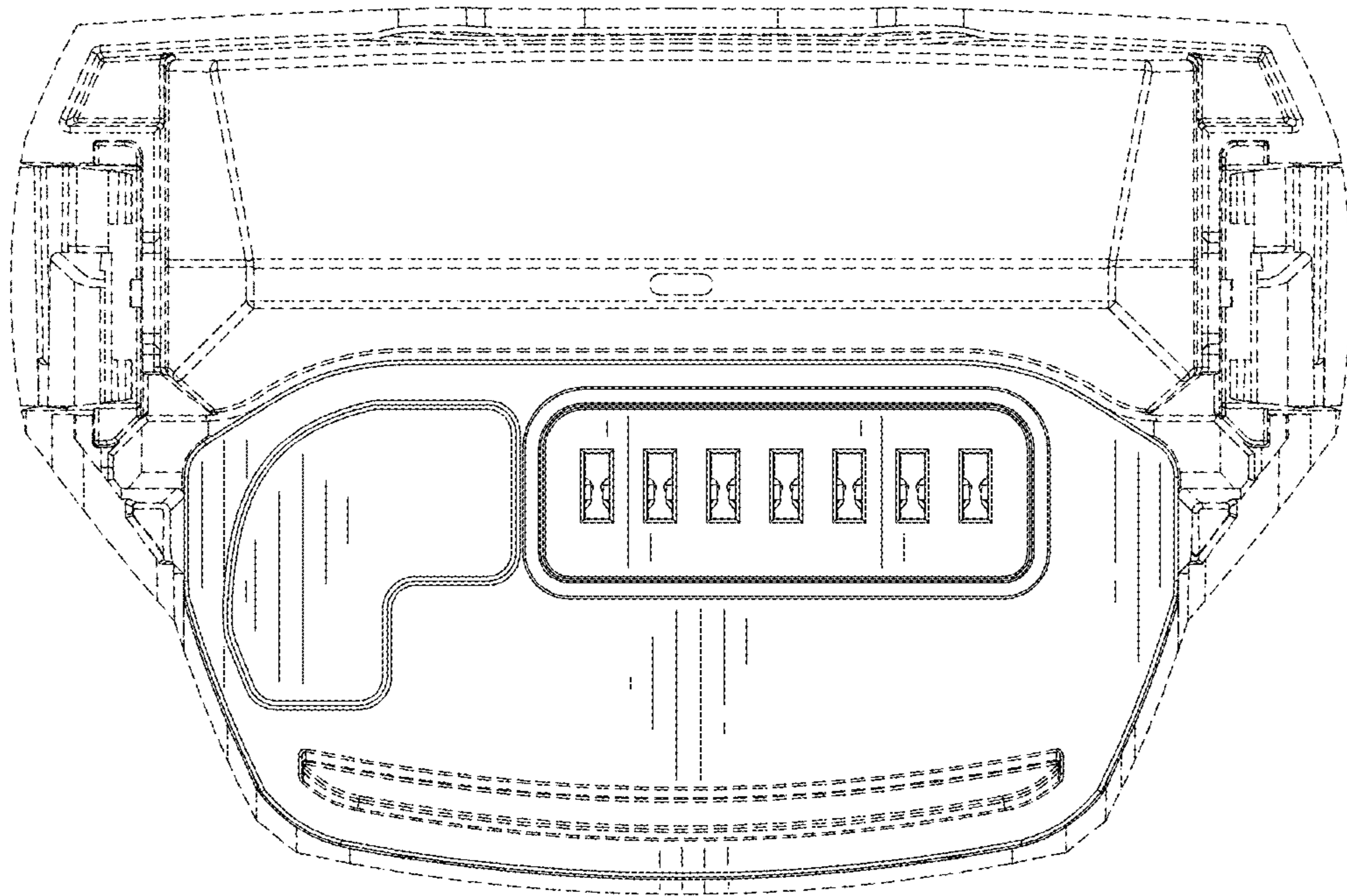


FIG. 7

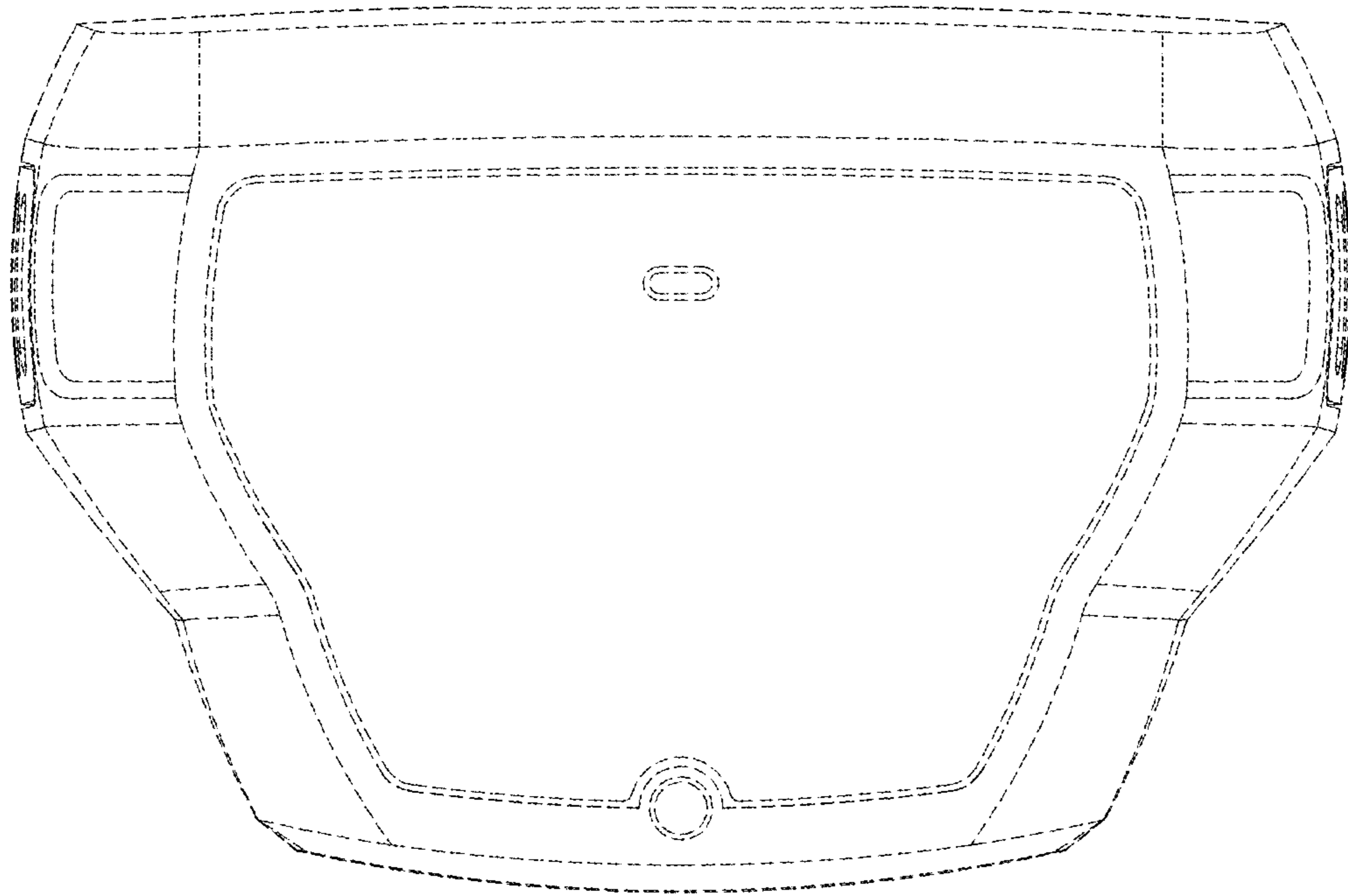


FIG. 8