



US00D921579S

(12) **United States Design Patent**
Park et al.

(10) **Patent No.:** **US D921,579 S**
(45) **Date of Patent:** **** Jun. 8, 2021**

(54) **FRONT COVER FOR BATTERY MODULE**

(71) Applicant: **LG Chem, Ltd.**, Seoul (KR)

(72) Inventors: **Do-Hyun Park**, Daejeon (KR);
Jung-Min Kwak, Daejeon (KR);
Young-Ho Lee, Daejeon (KR);
Jong-Ha Jeong, Daejeon (KR)

(73) Assignee: **LG Chem, Ltd.**

(**) Term: **15 Years**

(21) Appl. No.: **29/696,261**

(22) Filed: **Jun. 26, 2019**

(51) **LOC (13) Cl.** **13-02**

(52) **U.S. Cl.**
USPC **D13/103**; D13/119

(58) **Field of Classification Search**
USPC D13/103, 104, 118, 119, 120, 121, 154,
D13/184, 199
CPC H01M 50/20; H01M 50/502; H01M 2/206;
H01M 2/34; H02G 5/02; H02G 5/04
See application file for complete search history.

(56) **References Cited**

U.S. PATENT DOCUMENTS

D623,127 S *	9/2010	Seyama	D13/104
8,663,830 B2 *	3/2014	Hsiao	H01M 10/6557 429/120
8,835,037 B2 *	9/2014	Nguyen	H01M 50/20 429/120
D756,912 S *	5/2016	Sato	D13/104
D763,193 S *	8/2016	Tyler	D13/119
D764,402 S *	8/2016	Rowe	D13/103
D810,683 S *	2/2018	DeKeuster	D13/119
9,929,427 B2 *	3/2018	Lee	H01M 50/20
9,978,998 B2 *	5/2018	Choi	H01M 10/647

10,355,255 B2 *	7/2019	Seo	H01M 50/20
10,396,406 B2 *	8/2019	Lee	H01M 10/0525
D858,434 S *	9/2019	Park	D13/103
10,411,309 B2 *	9/2019	Yun	H01M 50/20
10,446,815 B2 *	10/2019	An	H01M 50/20
10,497,910 B2 *	12/2019	Lee	H01M 50/20
D879,032 S *	3/2020	Yang	D13/103
D879,033 S *	3/2020	Yoon	D13/103
10,601,003 B2 *	3/2020	Yang	H01M 50/116
10,647,206 B2 *	5/2020	Kim	H01M 50/20
10,777,860 B2 *	9/2020	Jo	H01M 10/613
10,797,280 B2 *	10/2020	Peng	H01M 50/20
10,897,033 B2 *	1/2021	Lee	H01M 10/0525
2014/0087221 A1 *	3/2014	Kim	H01M 10/482 429/90

* cited by examiner

Primary Examiner — Selina Sikder

(74) *Attorney, Agent, or Firm* — Lerner, David,
Littenberg, Krumholz & Mentlik, LLP

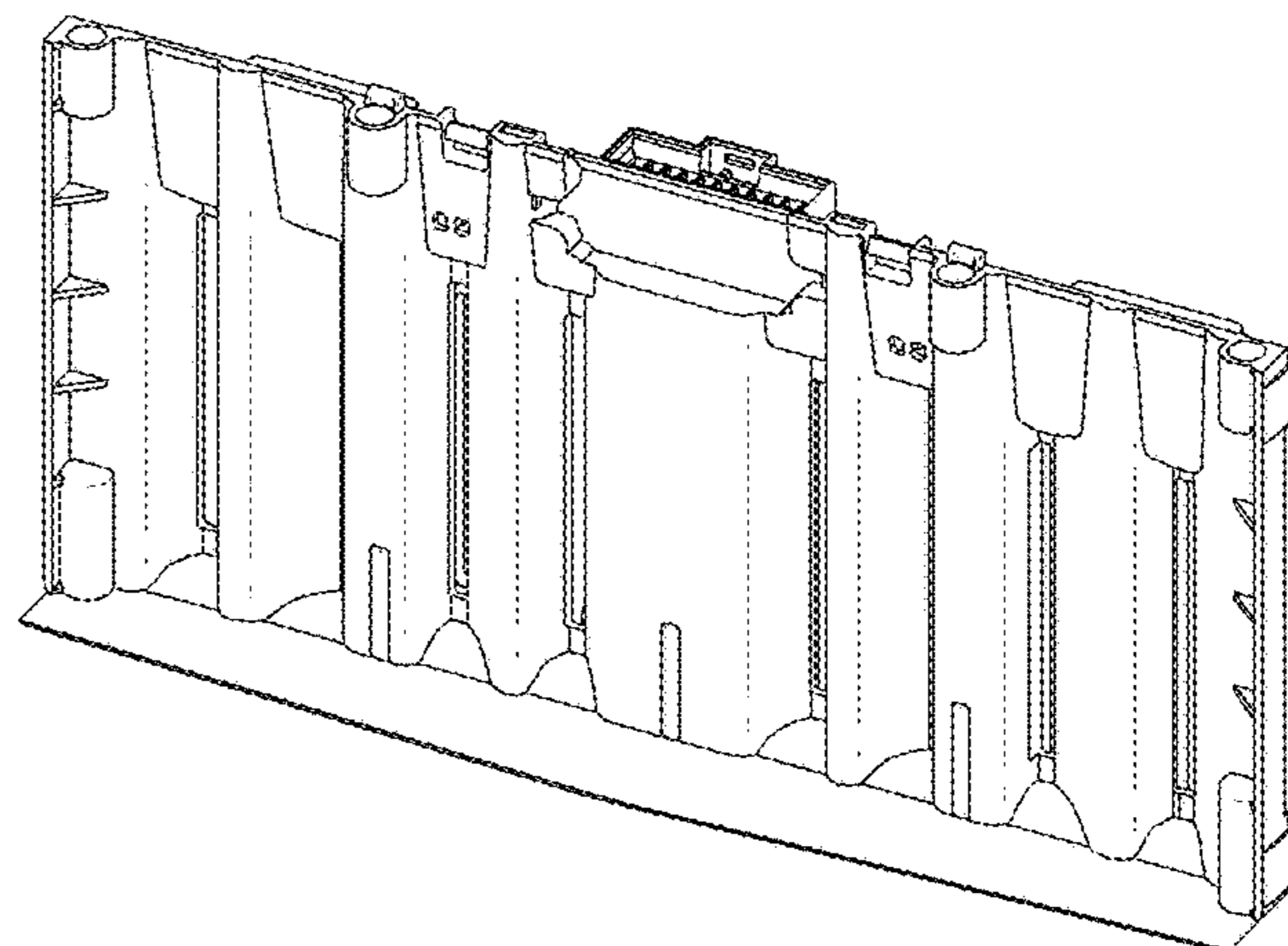
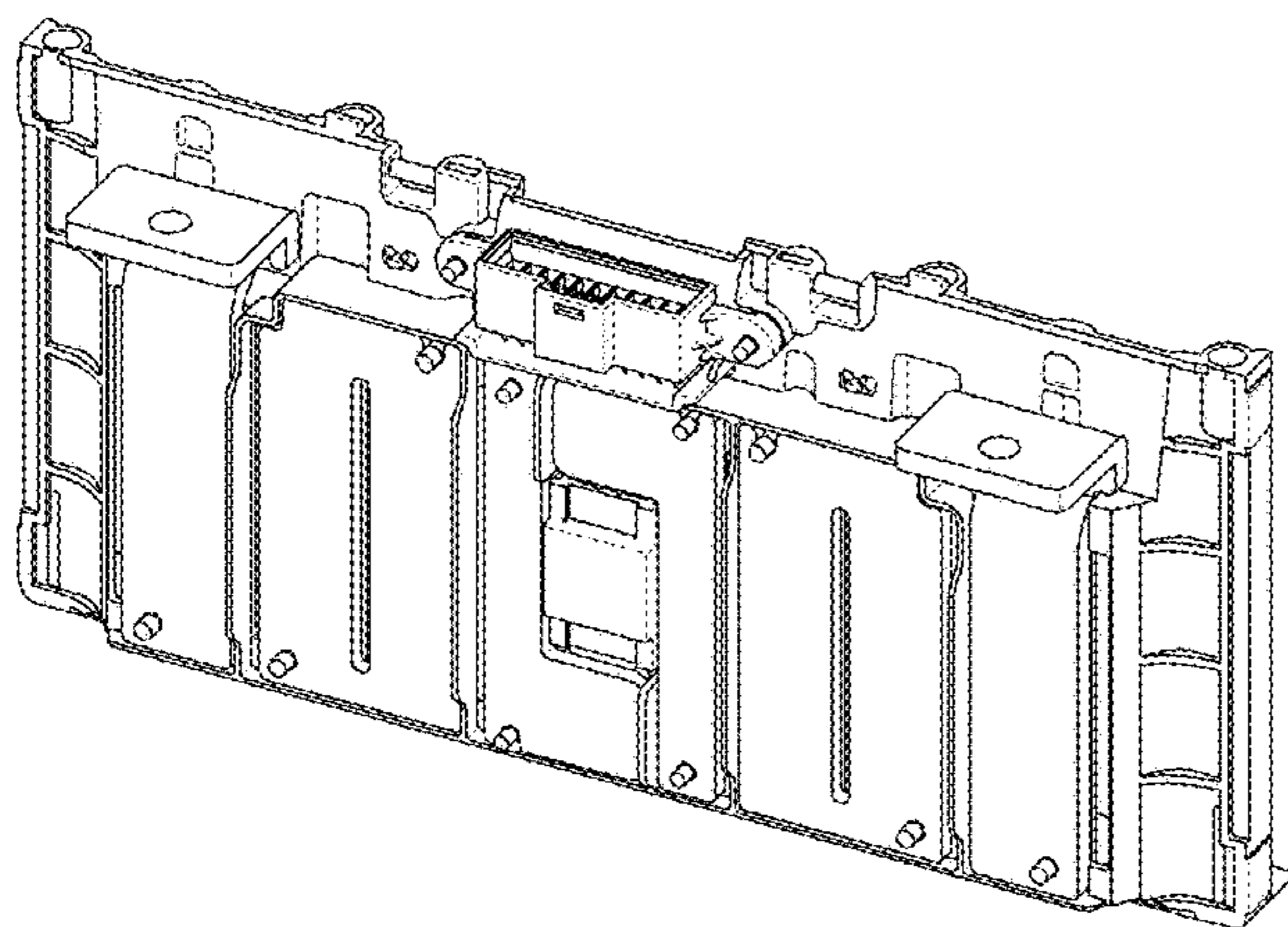
(57) **CLAIM**

The ornamental design for a front cover for battery module,
as shown and described.

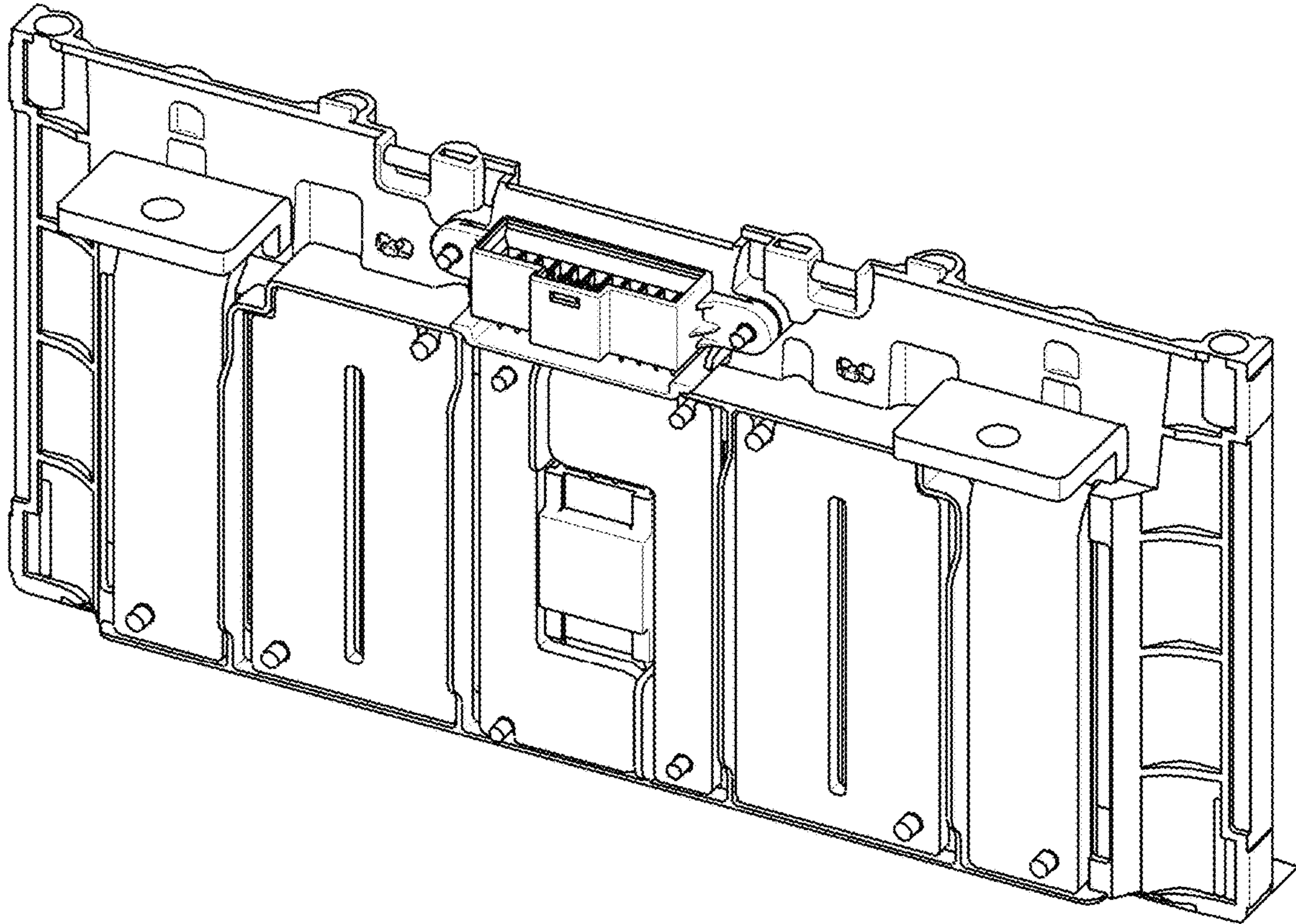
DESCRIPTION

FIG. 1 is a front perspective view of a front cover for battery module according to our design;
FIG. 2 is a front view thereof;
FIG. 3 is a rear view thereof;
FIG. 4 is a left side view thereof;
FIG. 5 is a right side view thereof;
FIG. 6 is a top view thereof;
FIG. 7 is a bottom view thereof;
FIG. 8 is a rear perspective view thereof; and,
FIG. 9 is an enlarged detail perspective view of area 9 circumscribed within FIG. 6.

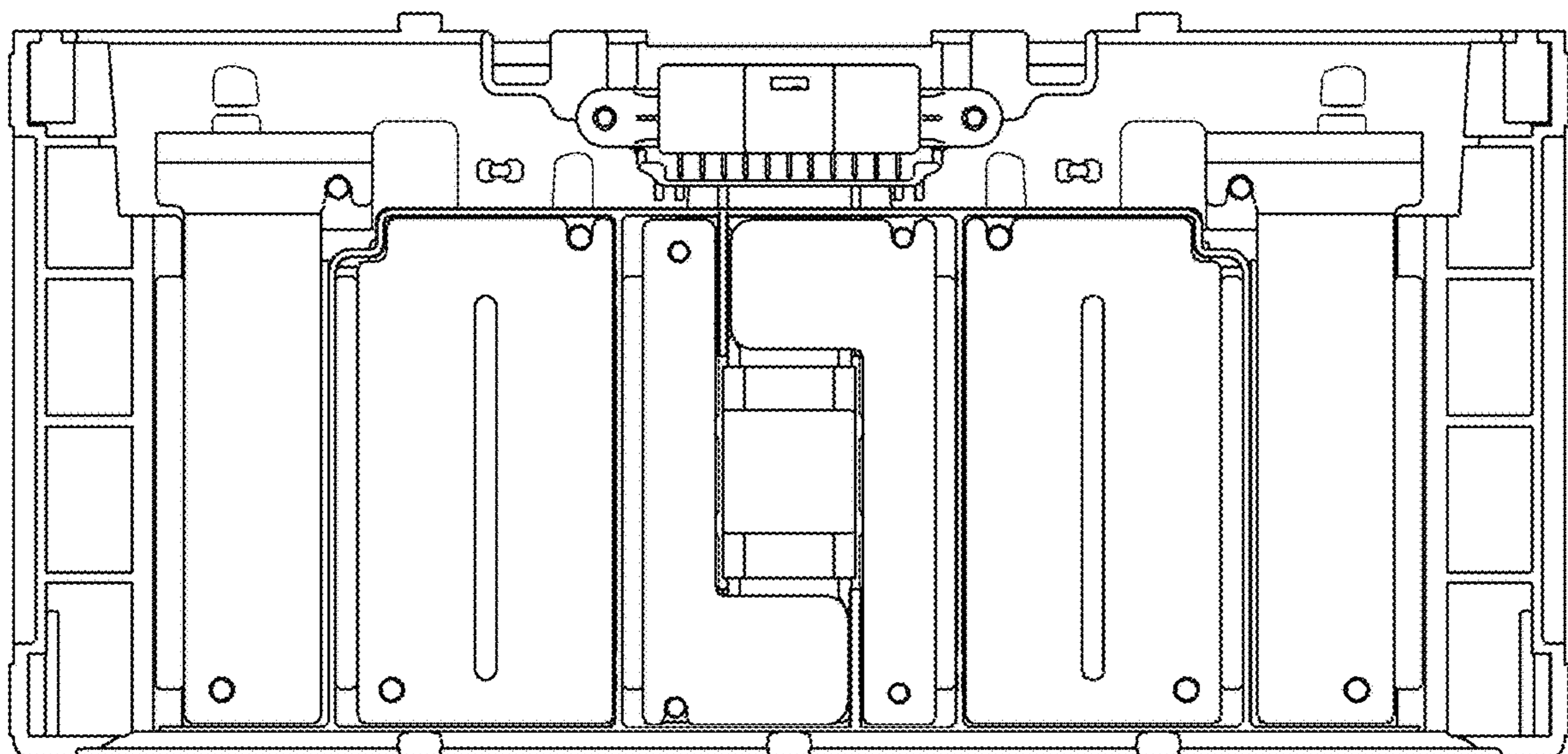
1 Claim, 5 Drawing Sheets



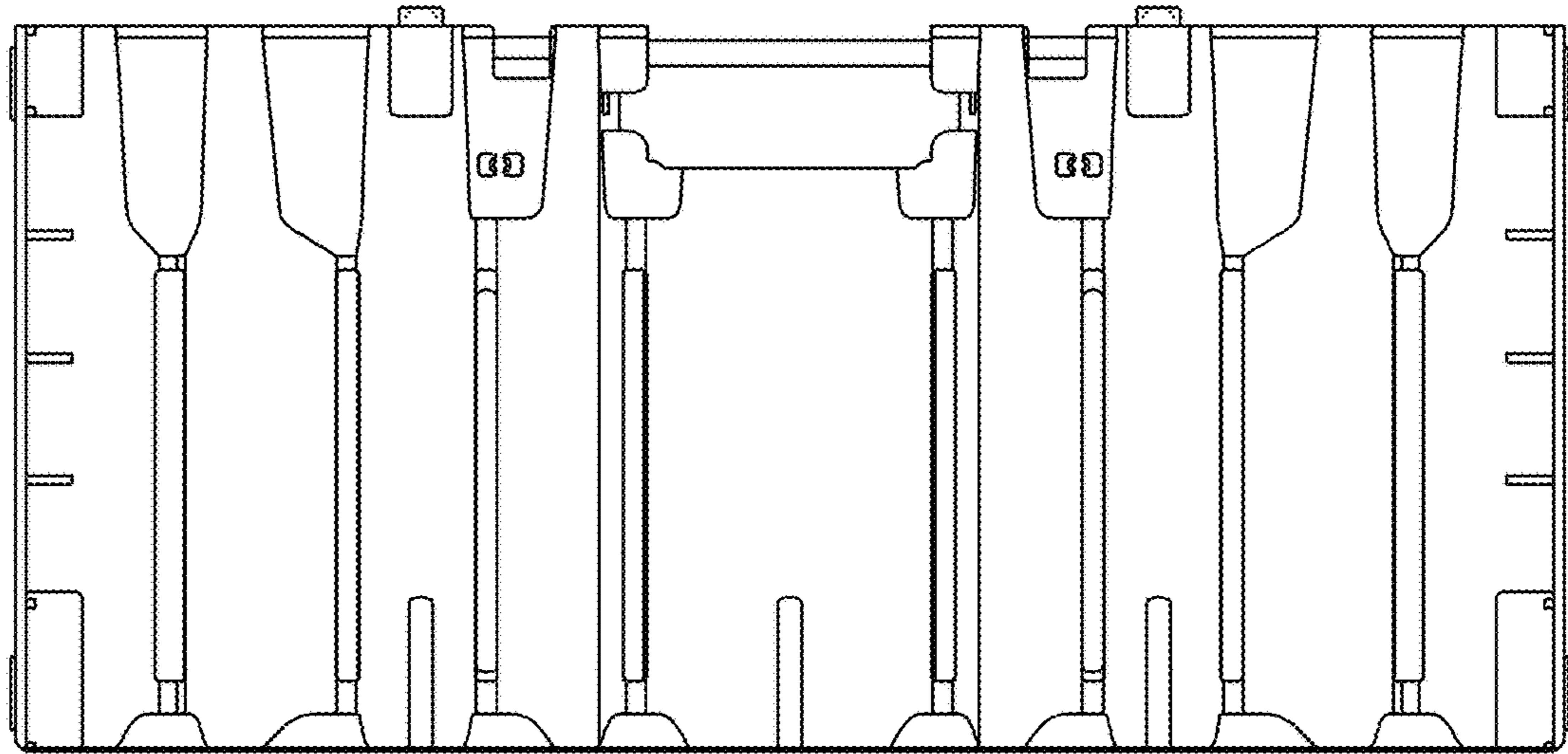
【FIG. 1】



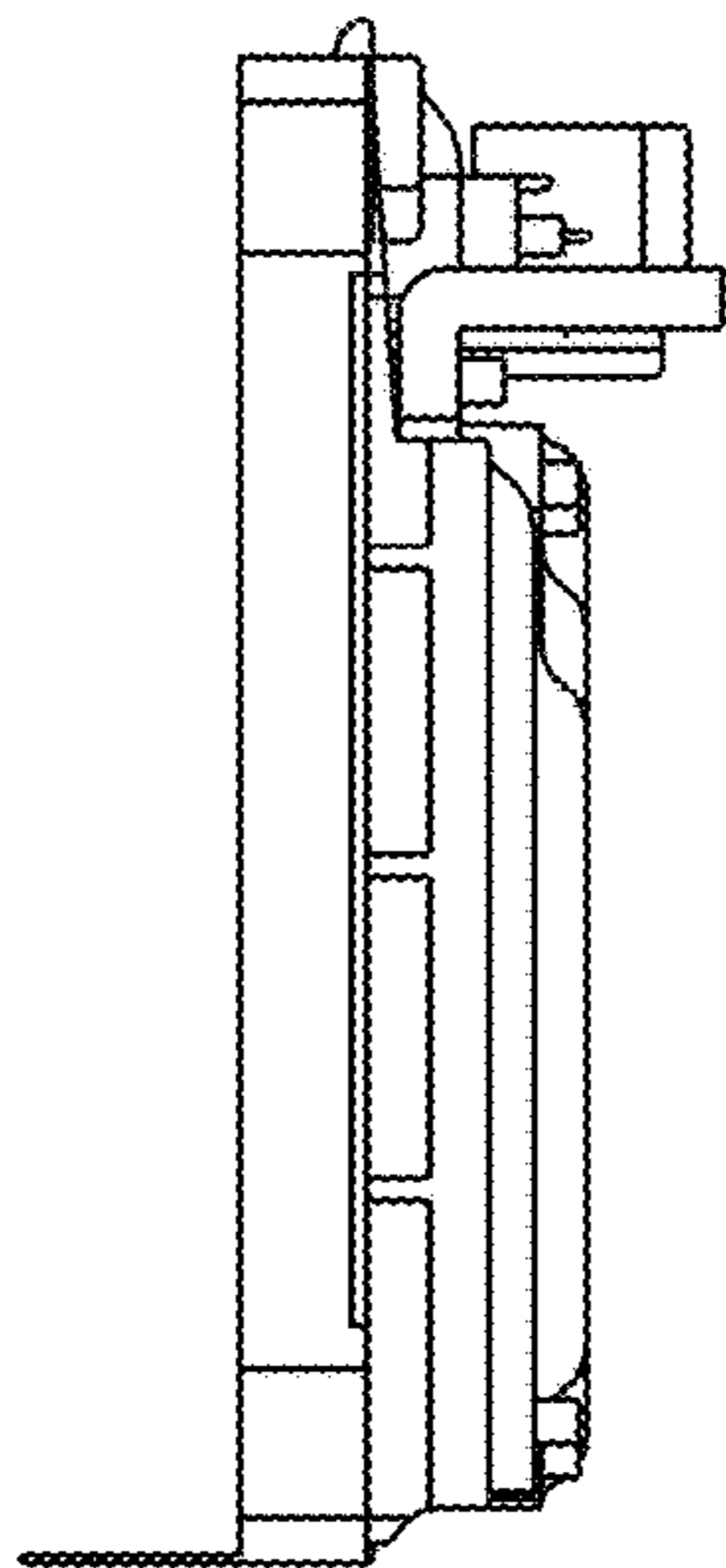
【FIG. 2】



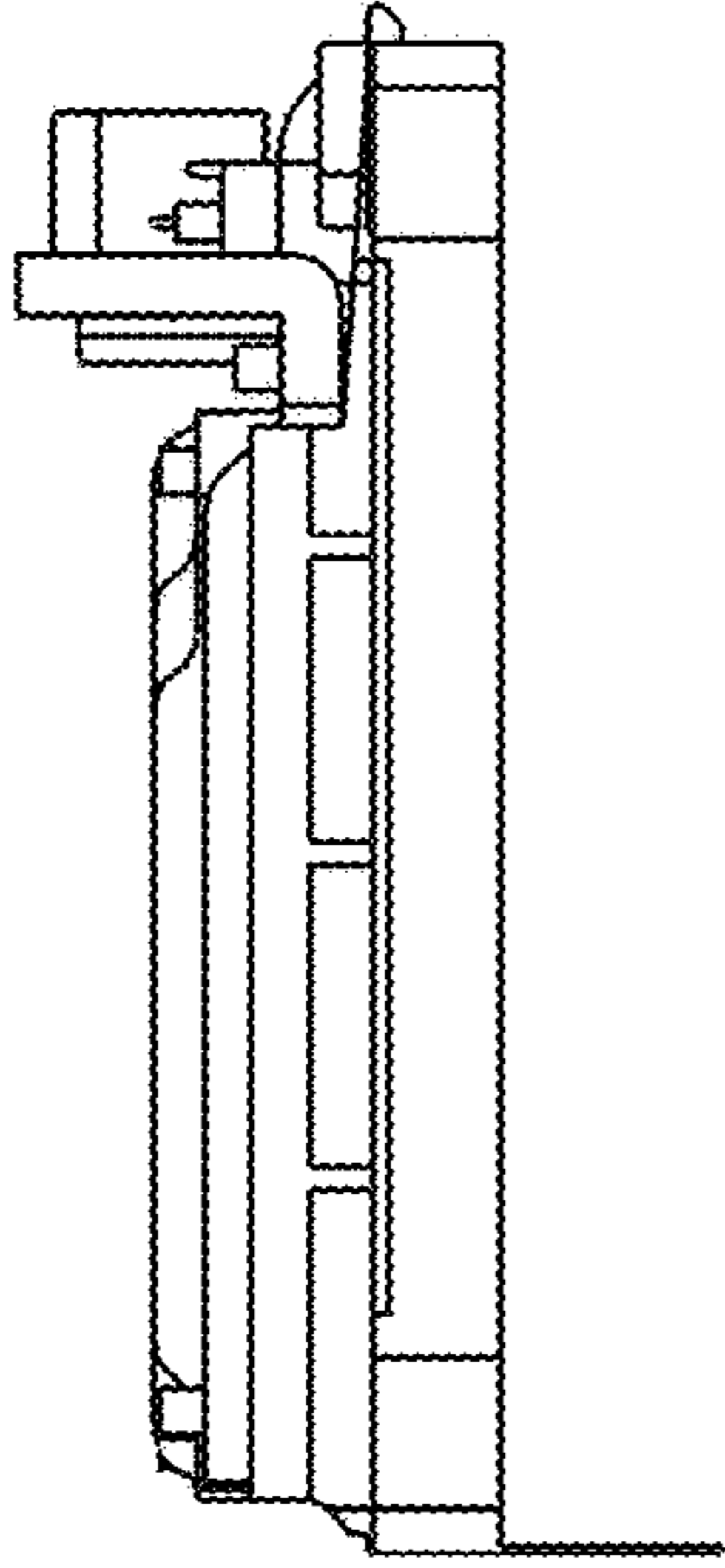
【FIG. 3】



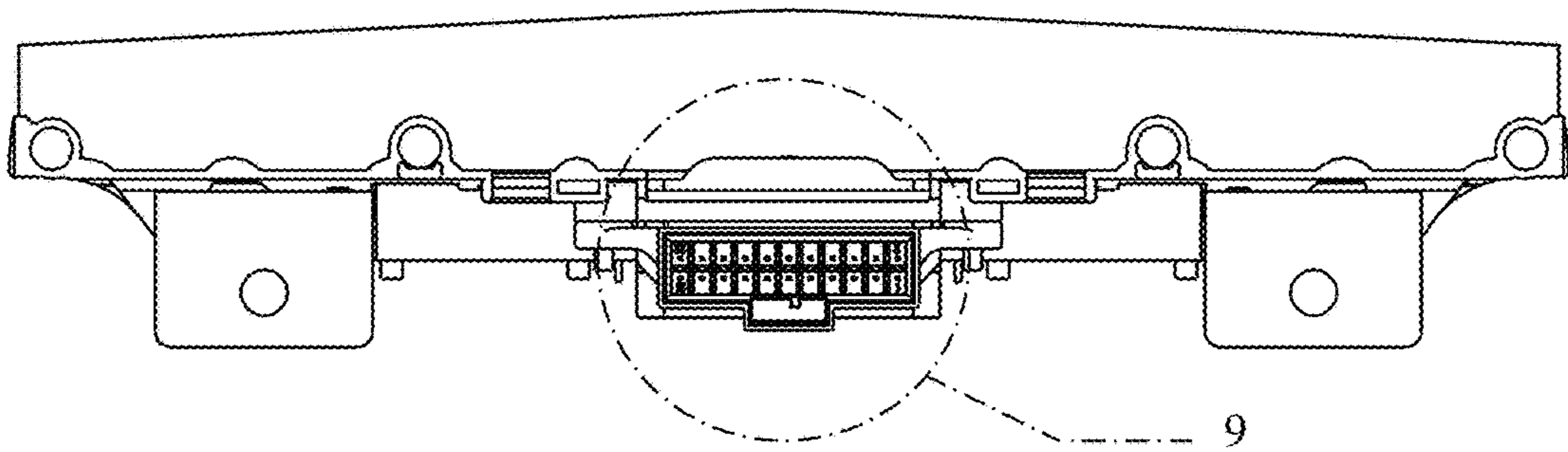
【FIG. 4】



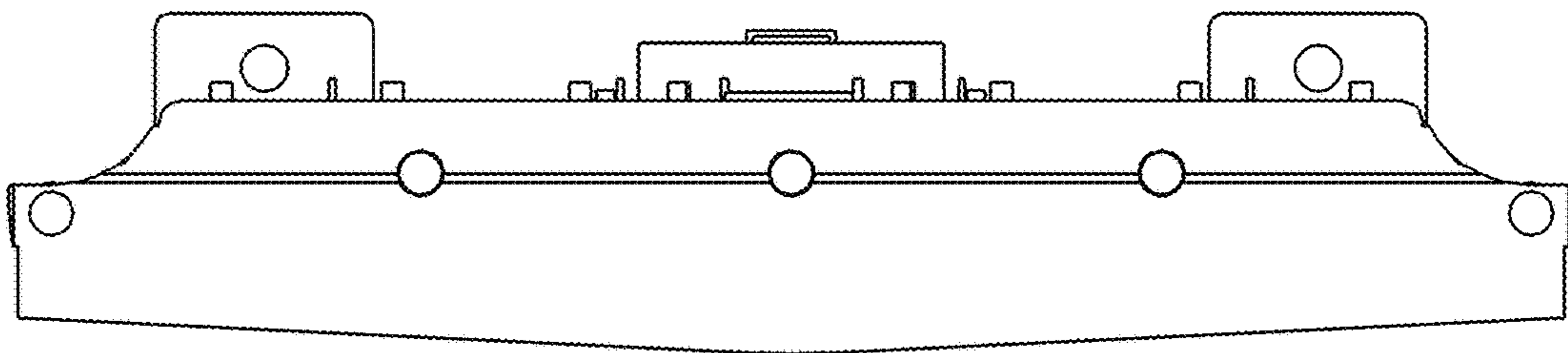
【FIG. 5】



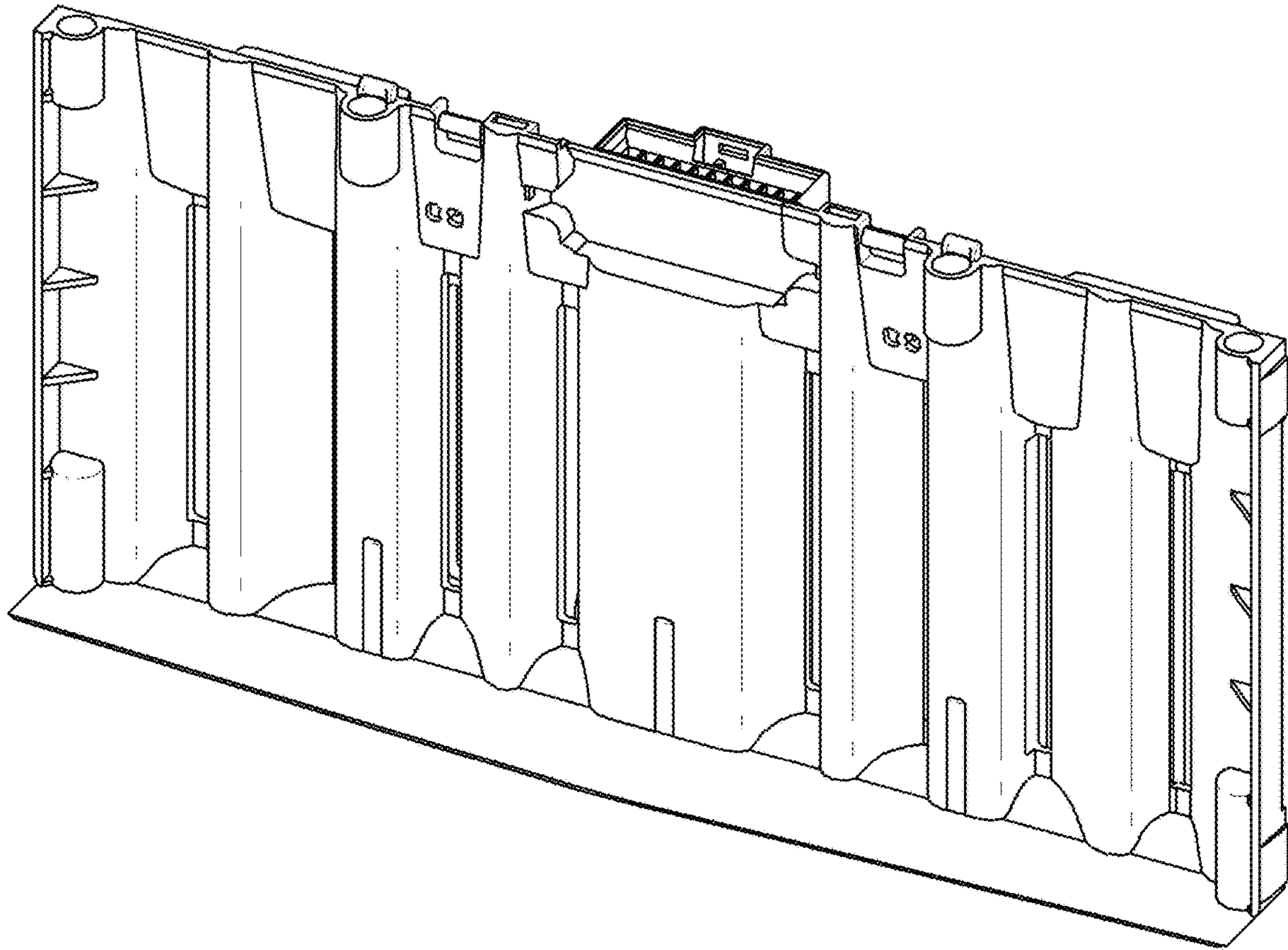
【FIG. 6】



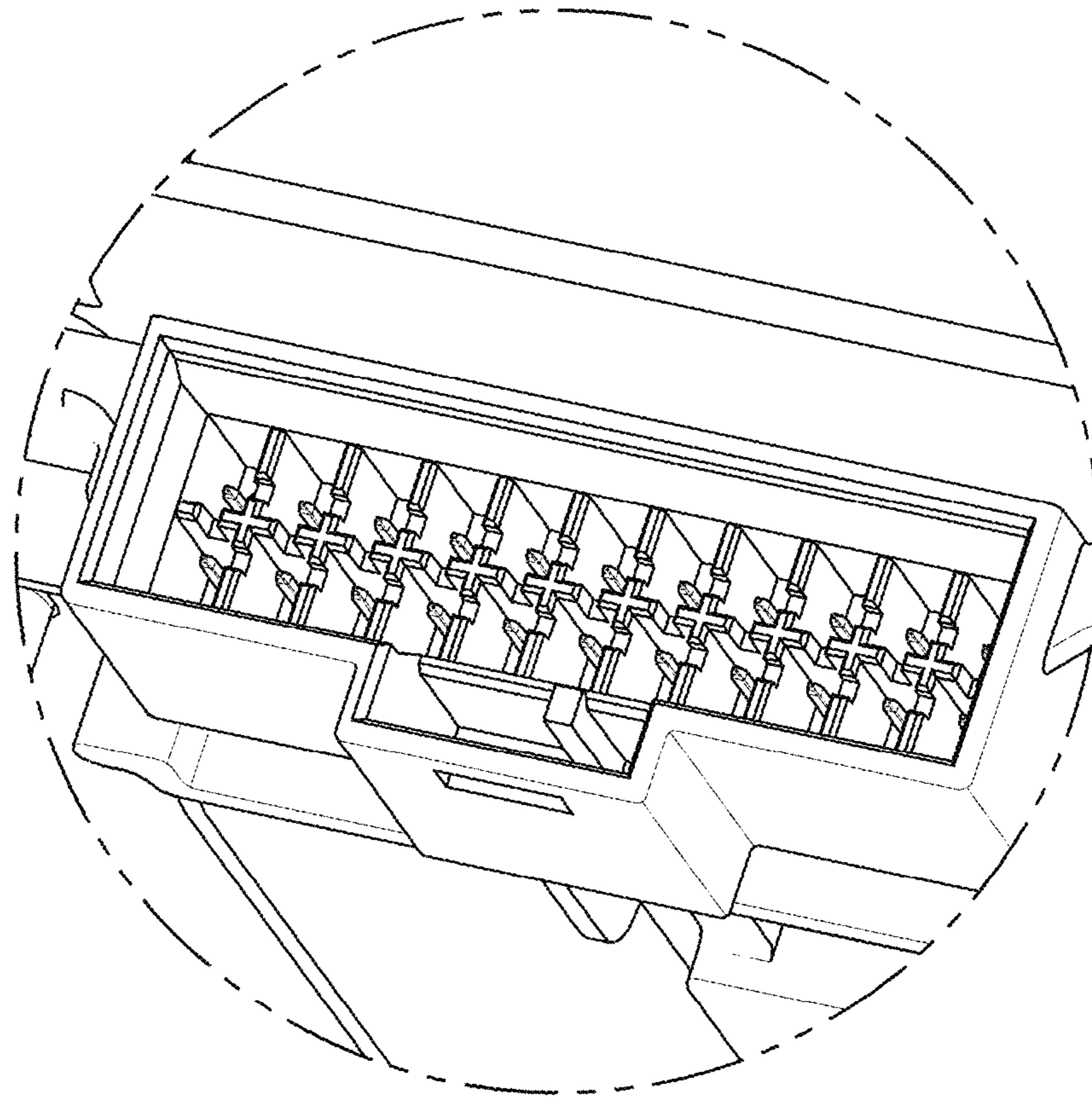
【FIG. 7】



【FIG. 8】



【FIG. 9】



UNITED STATES PATENT AND TRADEMARK OFFICE
CERTIFICATE OF CORRECTION

PATENT NO. : D921,579 S
APPLICATION NO. : 29/696261
DATED : June 8, 2021
INVENTOR(S) : Do-Hyun Park et al.

Page 1 of 1

It is certified that error appears in the above-identified patent and that said Letters Patent is hereby corrected as shown below:

On the Title Page

Item (30), please insert --(30) Foreign Application Priority Data – Republic of Korea 30-2018-0061683 12/26/2018--, after “(22) Filed: Jun. 26, 2019”.

Signed and Sealed this
Thirteenth Day of July, 2021



Drew Hirshfeld
*Performing the Functions and Duties of the
Under Secretary of Commerce for Intellectual Property and
Director of the United States Patent and Trademark Office*