



US00D921578S

(12) **United States Design Patent**
Min et al.

(10) **Patent No.:** **US D921,578 S**
(45) **Date of Patent:** **** Jun. 8, 2021**

(54) **BATTERY MODULE**
(71) Applicant: **LG Chem, Ltd.**, Seoul (KR)
(72) Inventors: **Dai-Ki Min**, Daejeon (KR); **Jung-Min Kwak**, Daejeon (KR); **Jong-Ha Jeong**, Daejeon (KR)
(73) Assignee: **LG Chem, Ltd.**

(**) Term: **15 Years**
(21) Appl. No.: **29/696,232**
(22) Filed: **Jun. 26, 2019**

(30) **Foreign Application Priority Data**
Dec. 26, 2018 (KR) 30-2018-0061681
(51) **LOC (13) Cl.** **13-02**
(52) **U.S. Cl.**
USPC **D13/103**
(58) **Field of Classification Search**
USPC D13/103-108, 118-119, 184, 199;
D14/356, 432
CPC Y02E 60/12; Y02E 60/122; Y02E 60/50;
H01M 2/02; H01M 2/022; H01M 2/0202;
H01M 2/0207; H01M 2/0212; H01M
2/1061; H01M 2/1022; H01M 2/1055;
H01M 2/1066; H01M 2/105; H01M
2/204; H01M 10/4257; H01M 10/0436;
H01M 10/48; H02J 50/12
See application file for complete search history.

(56) **References Cited**
U.S. PATENT DOCUMENTS
D304,172 S * 10/1989 Sogabe D13/103
5,585,204 A * 12/1996 Oshida H01M 10/443
429/120
D419,131 S * 1/2000 Andrews D13/103

D623,127 S * 9/2010 Seyama D13/104
10,020,486 B2 * 7/2018 Eom H01M 2/30
D825,463 S * 8/2018 Krivonak D13/118
D879,032 S * 3/2020 Yang D13/103
D879,033 S * 3/2020 Yoon D13/103
D884,598 S * 5/2020 Ebisawa D13/103
D887,968 S * 6/2020 Ebisawa D13/103
D888,676 S * 6/2020 Lim D13/184
2009/0051318 A1 * 2/2009 Paul H01M 2/30
320/114

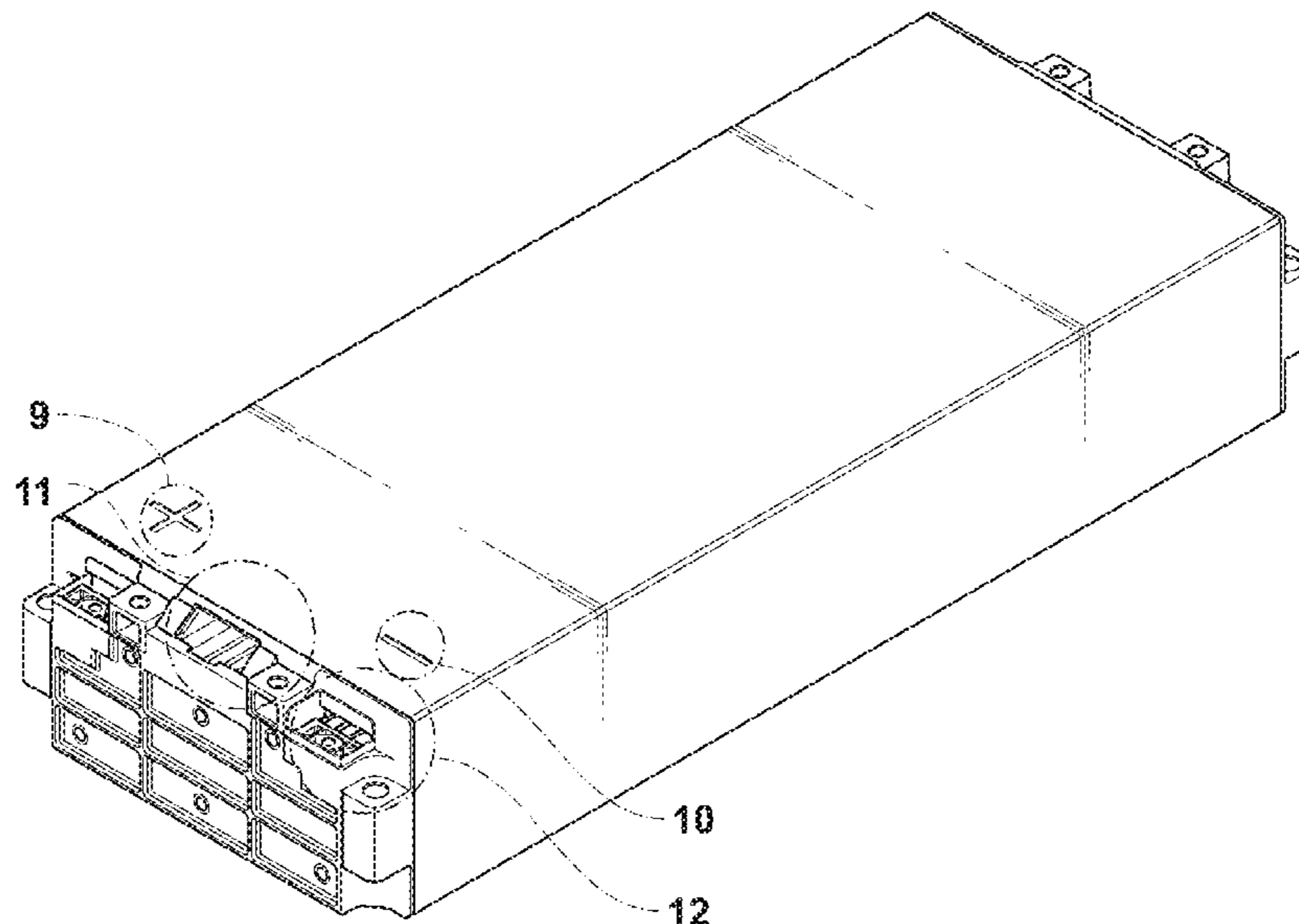
(Continued)

Primary Examiner — Catherine S Posthauer
Assistant Examiner — Alison M Ofstun
(74) *Attorney, Agent, or Firm* — Lerner, David,
Littenberg, Krumholz & Mentlik, LLP

(57) **CLAIM**
The ornamental design for a battery module, as shown and described.

DESCRIPTION
FIG. 1 is a front perspective view of a battery module according to our design;
FIG. 2 is a front view thereof;
FIG. 3 is a rear view thereof;
FIG. 4 is a left side view thereof;
FIG. 5 is a right side view thereof;
FIG. 6 is a top view thereof;
FIG. 7 is a bottom view thereof;
FIG. 8 is a rear perspective view thereof;
FIG. 9 is an enlarged view of portion “9” shown in FIG. 1;
FIG. 10 is an enlarged view of portion “10” shown in FIG. 1;
FIG. 11 is an enlarged view of portion “11” shown in FIG. 1;
FIG. 12 is an enlarged view of portion “12” shown in FIG. 1; and,
FIG. 13 is an enlarged view of portion “13” shown in FIG. 6.

1 Claim, 7 Drawing Sheets



(56)

References Cited

U.S. PATENT DOCUMENTS

2011/0076521 A1* 3/2011 Shimizu H01M 2/26
429/7
2011/0293973 A1* 12/2011 Kim H01M 2/1083
429/53
2017/0162841 A1* 6/2017 Lee H02S 40/38
2020/0243817 A1* 7/2020 Kwak H01M 2/1094

* cited by examiner

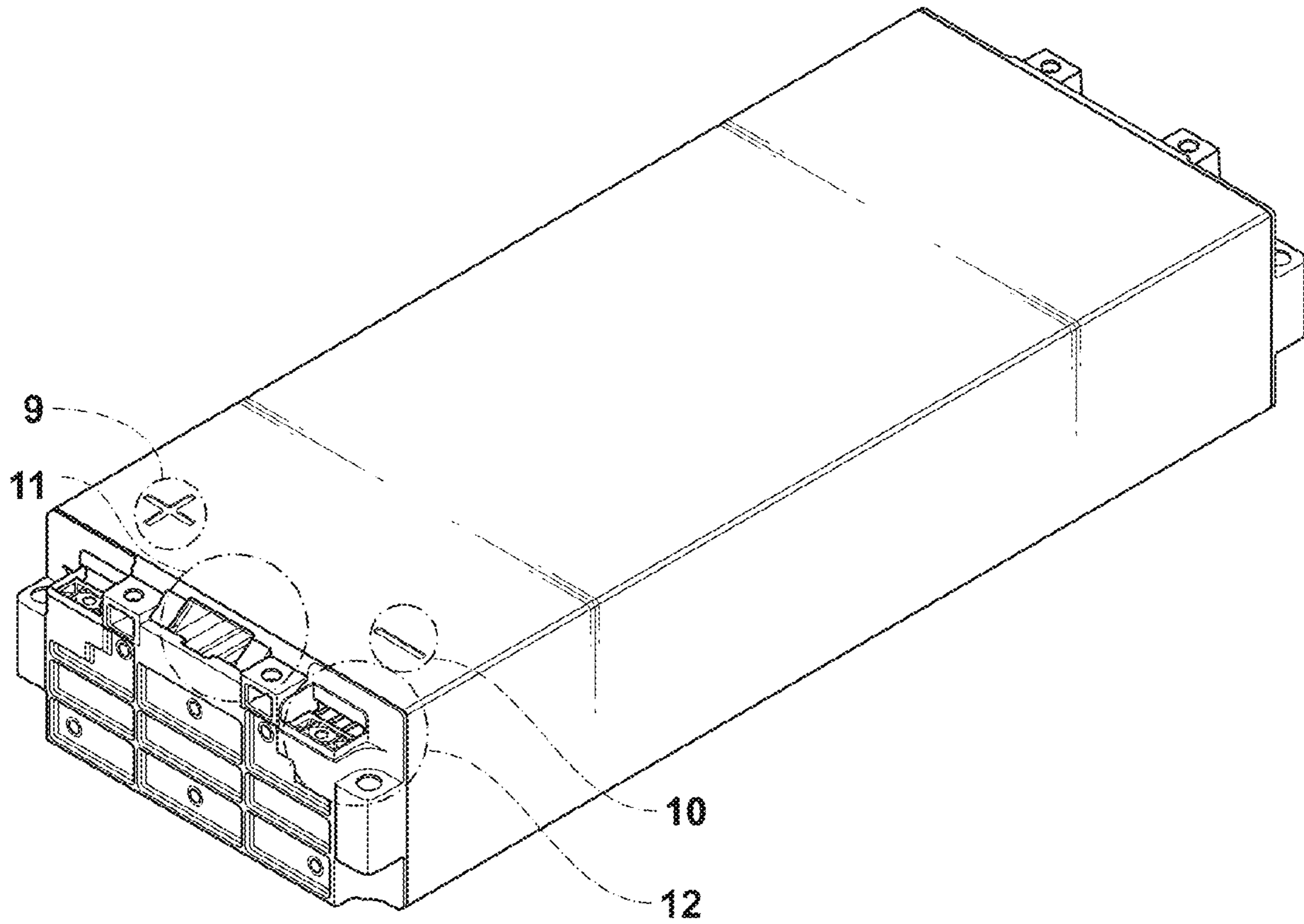


FIG. 1

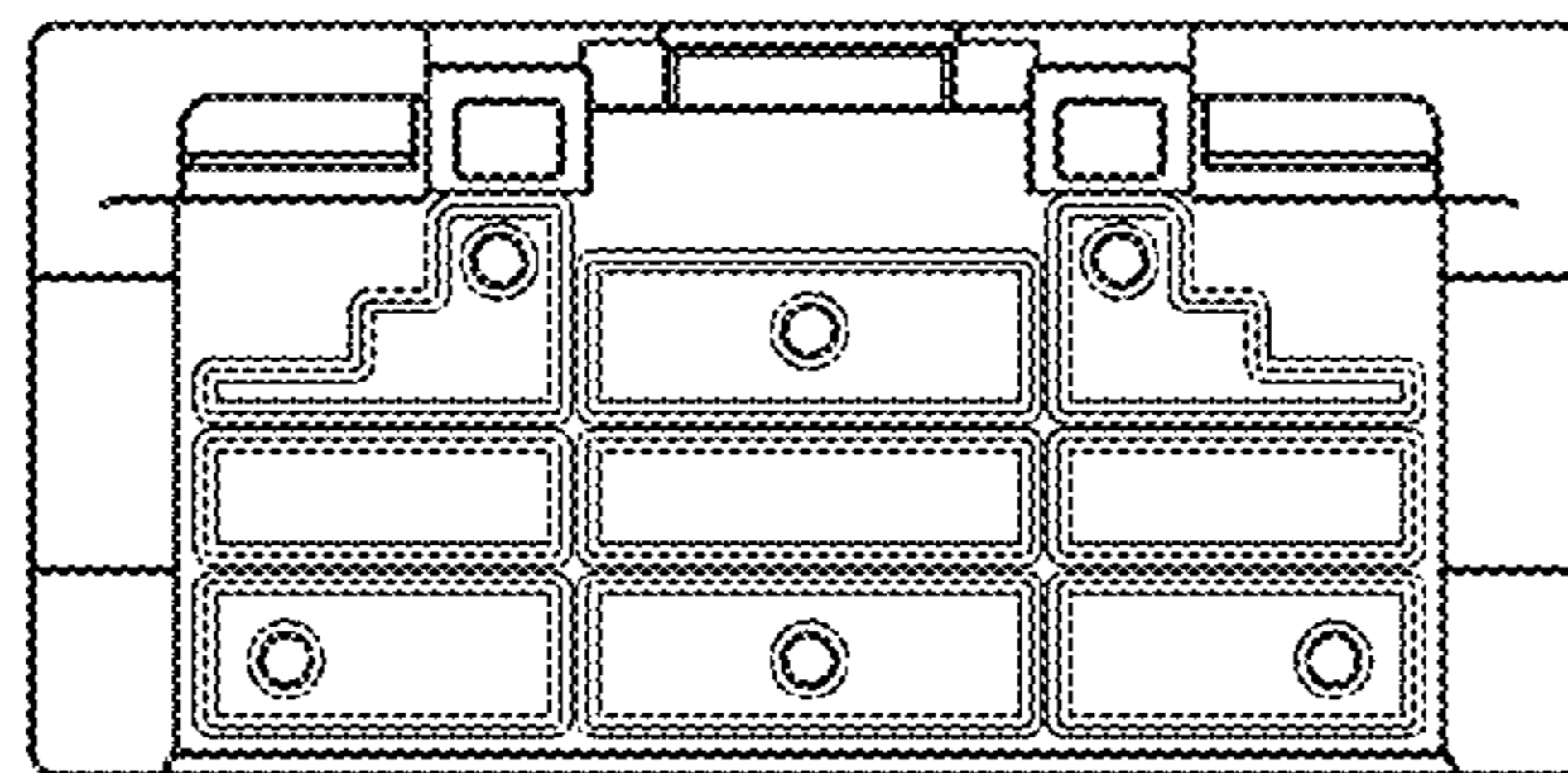


FIG. 2

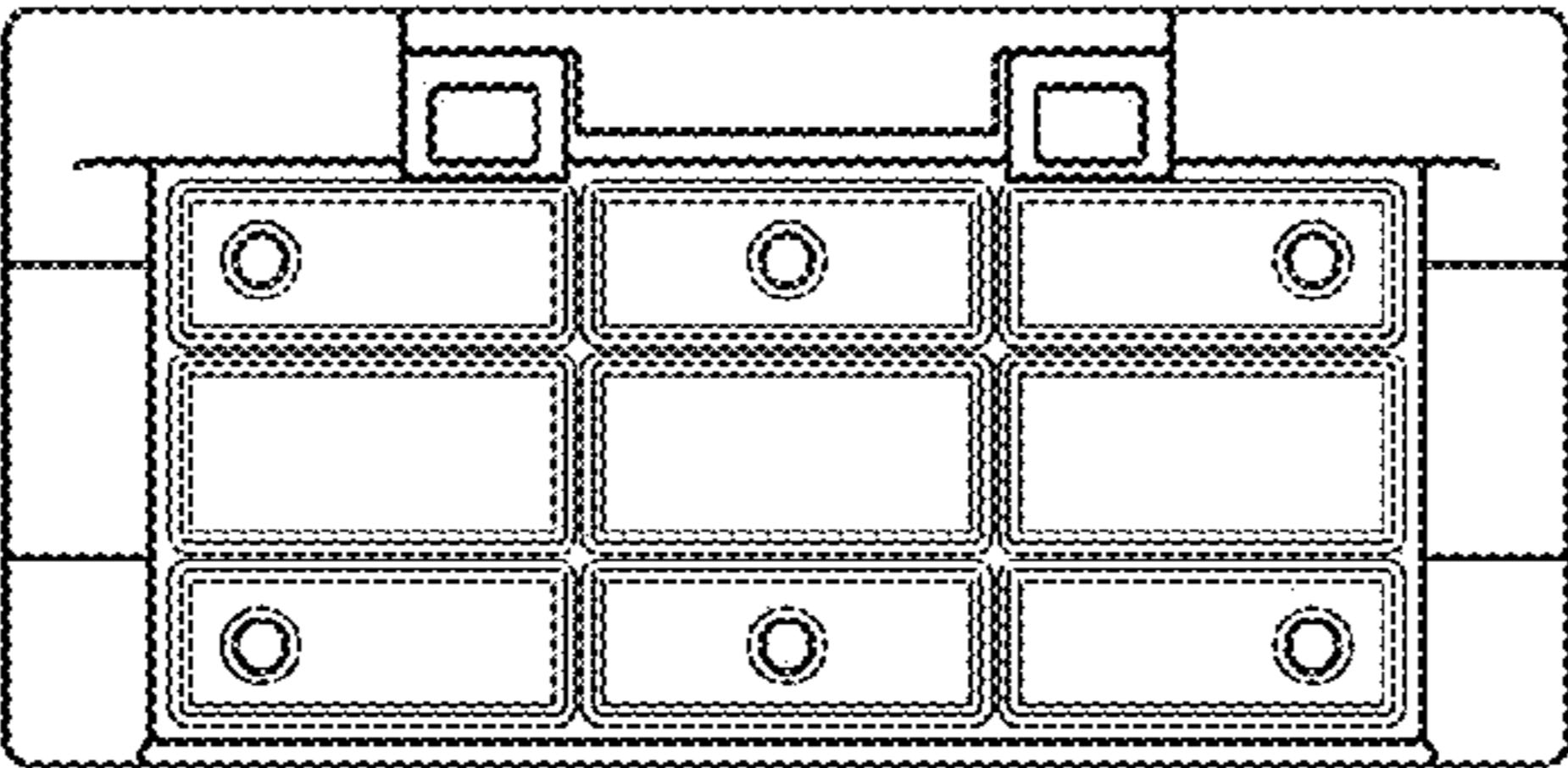


FIG. 3



FIG. 4



FIG. 5

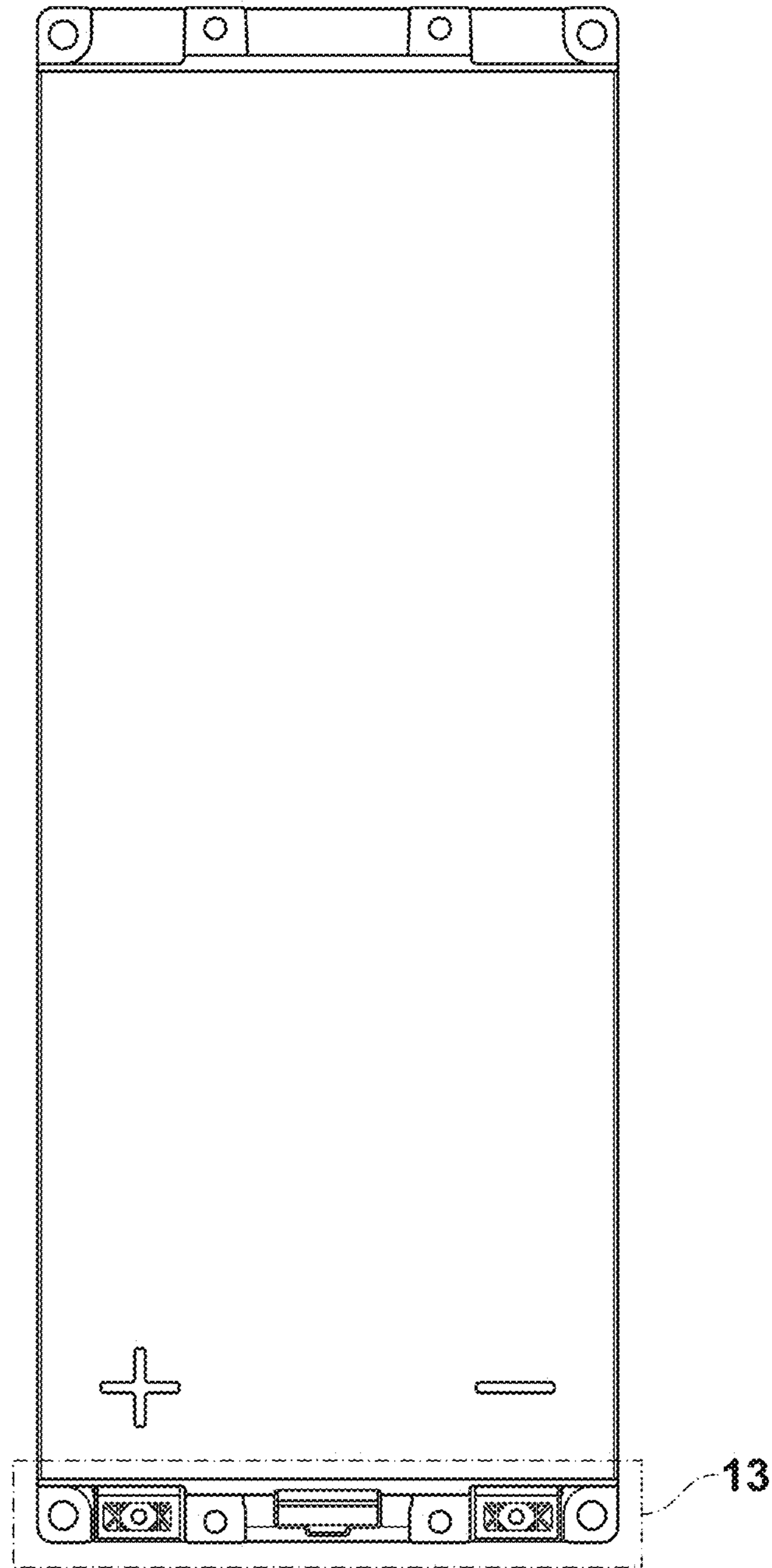


FIG. 6

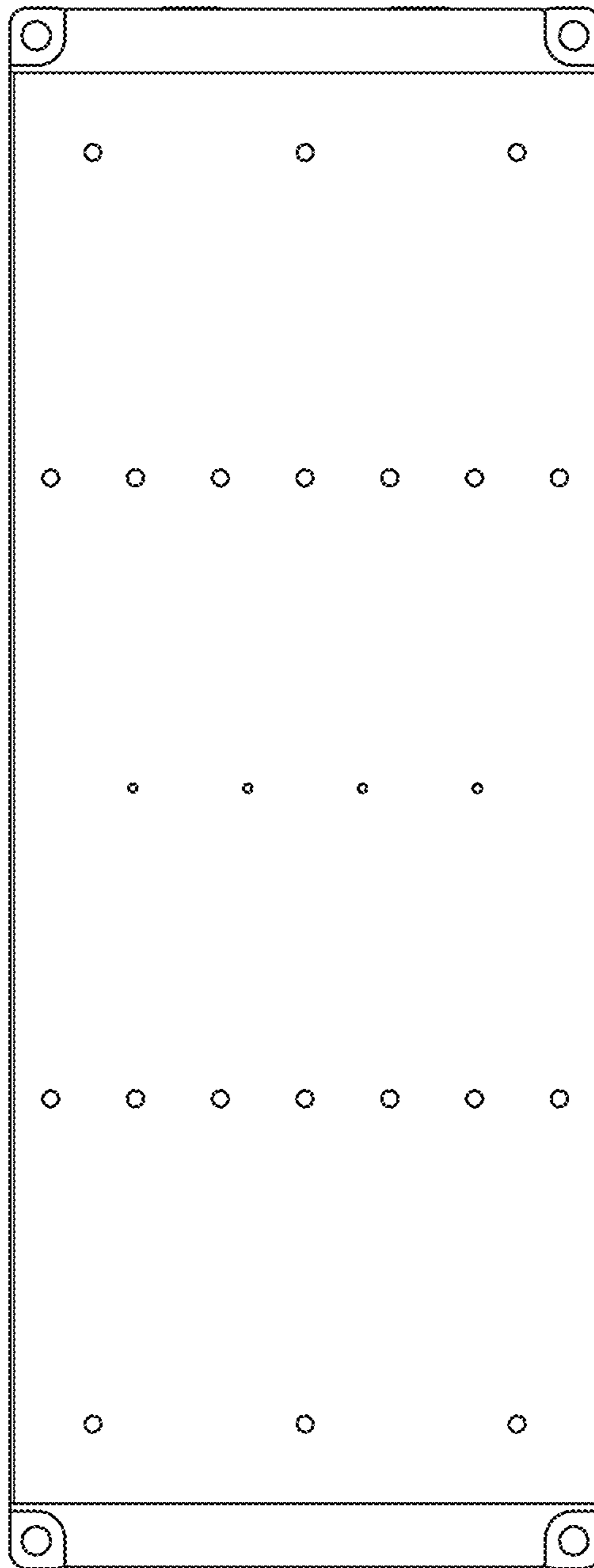


FIG. 7

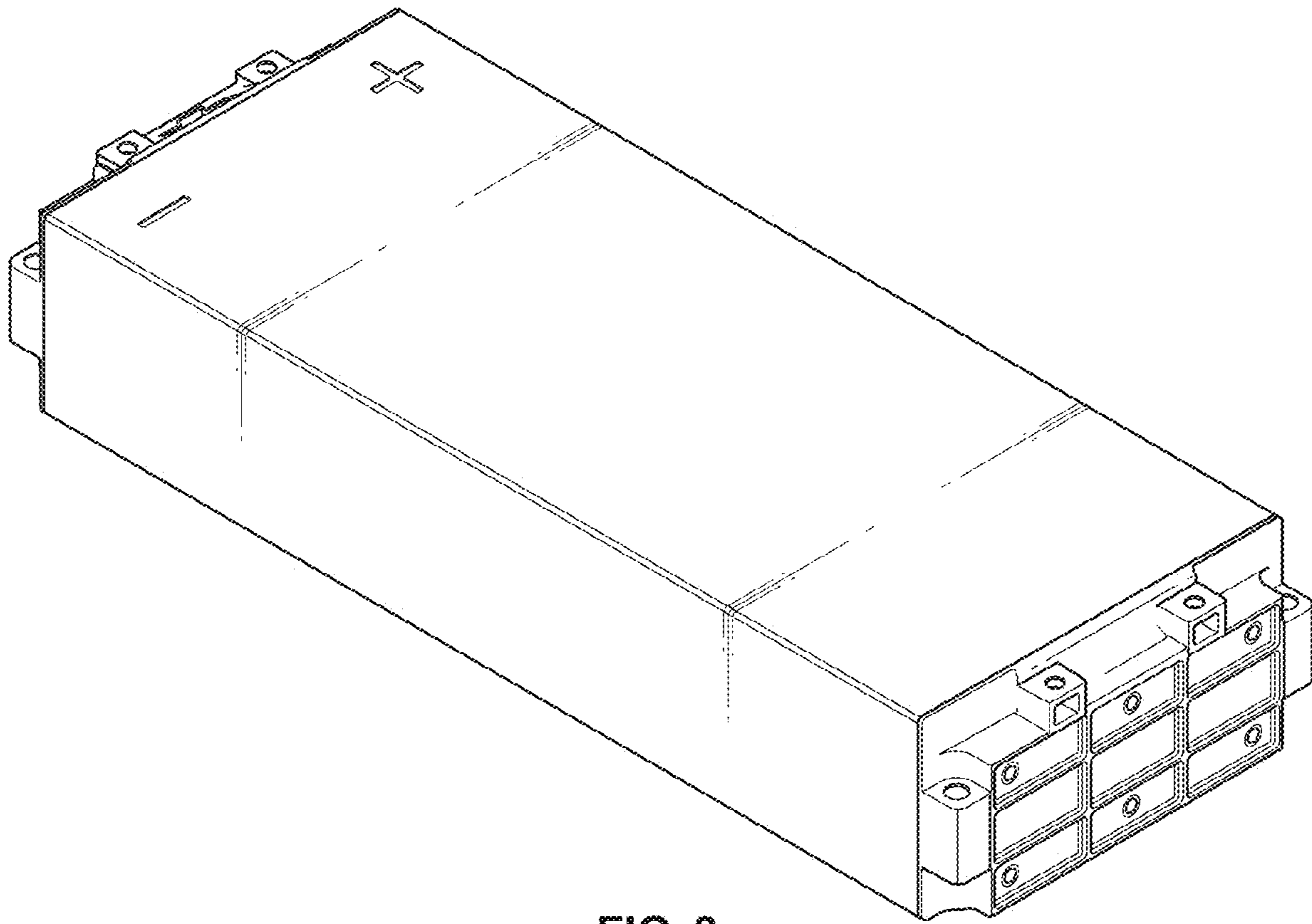


FIG. 8

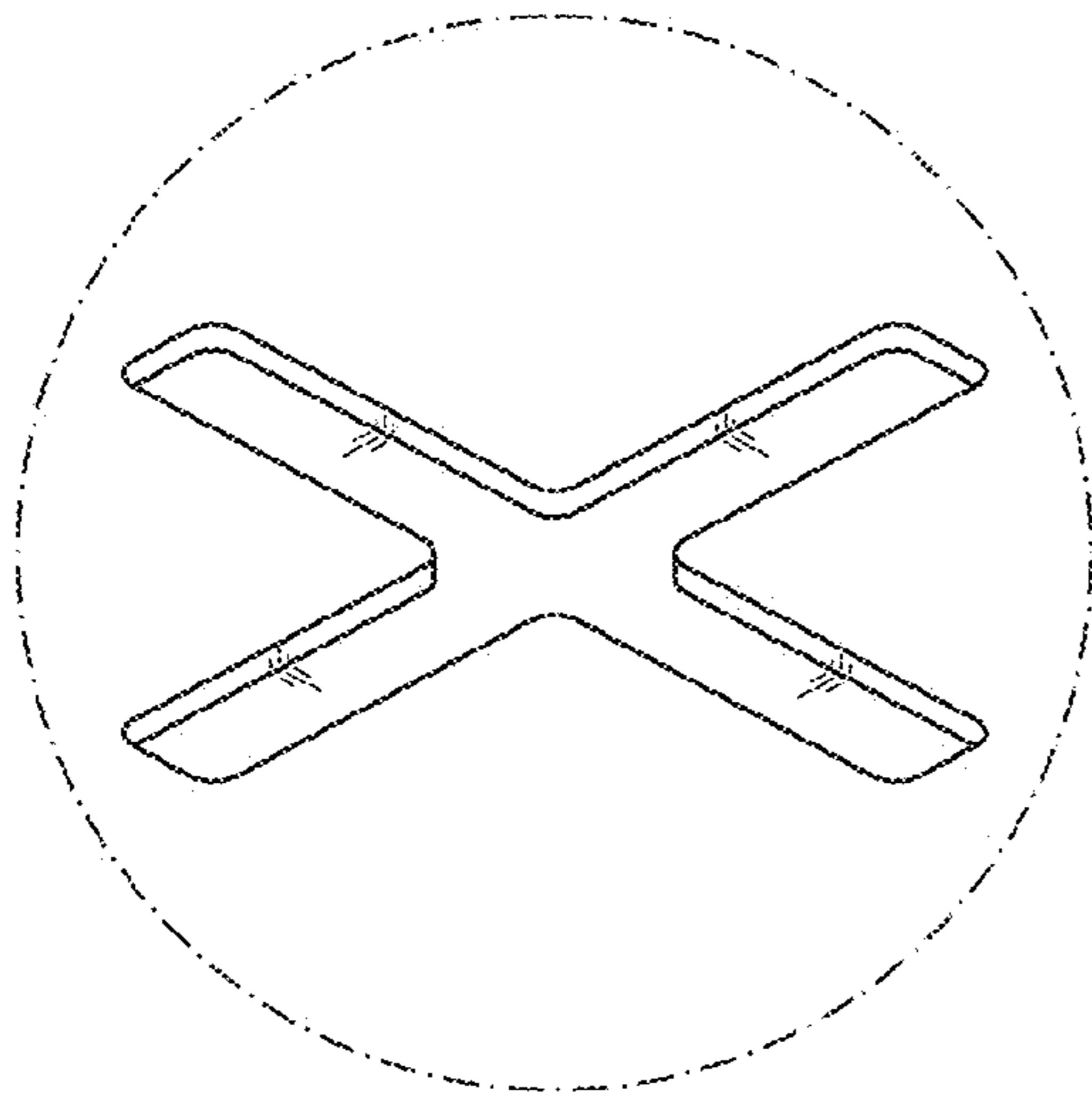


FIG. 9

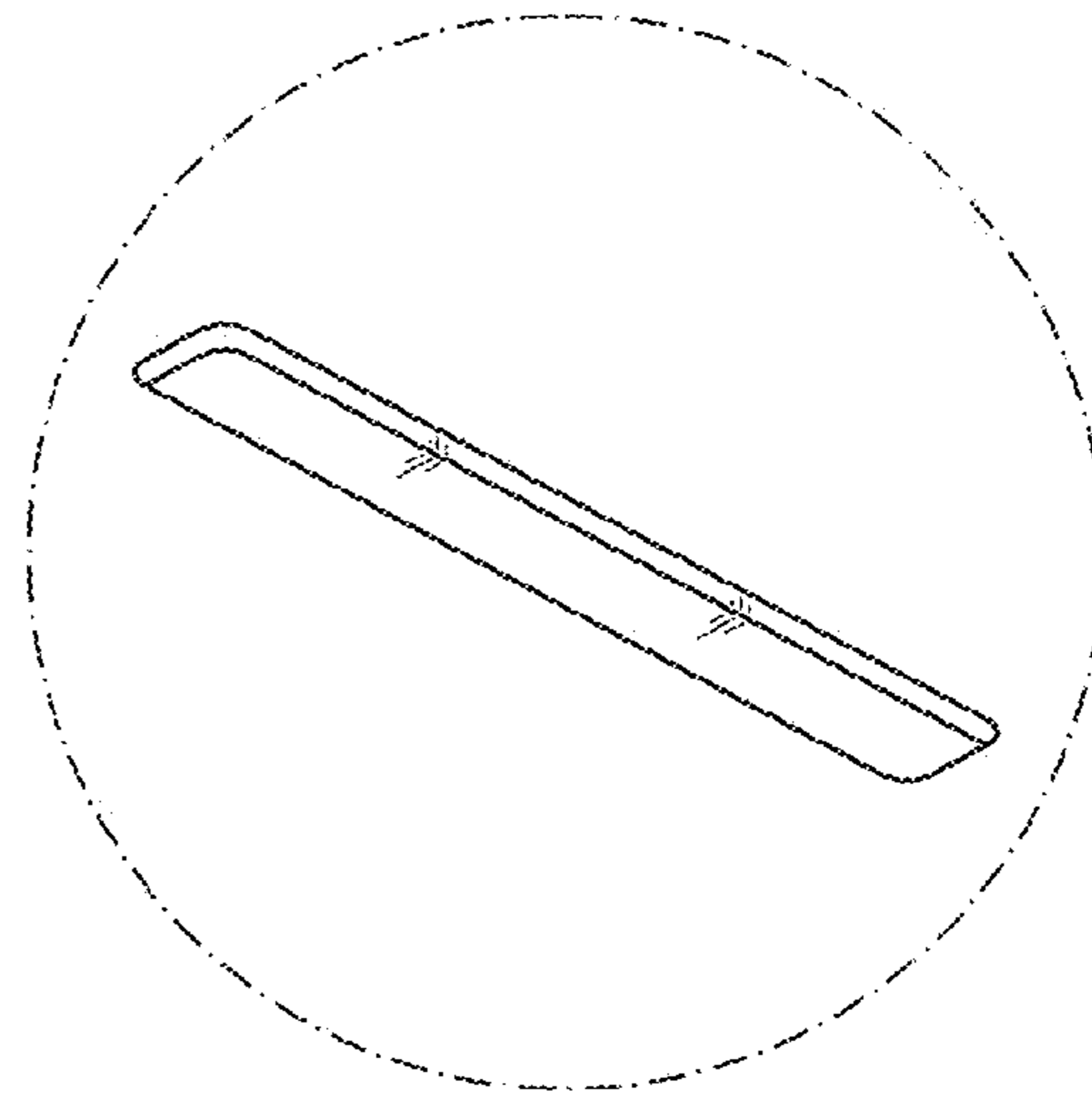


FIG. 10

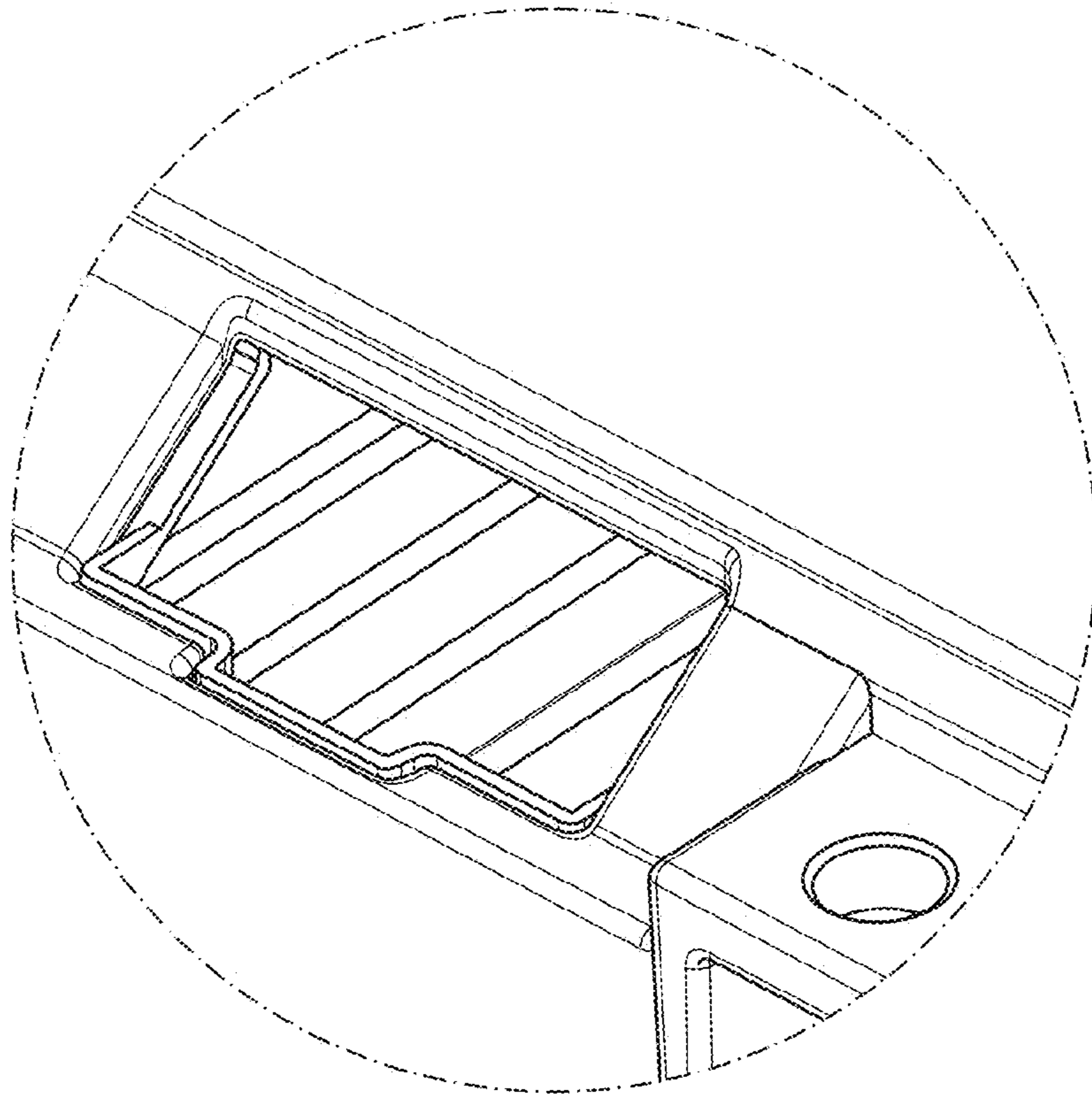


FIG. 11

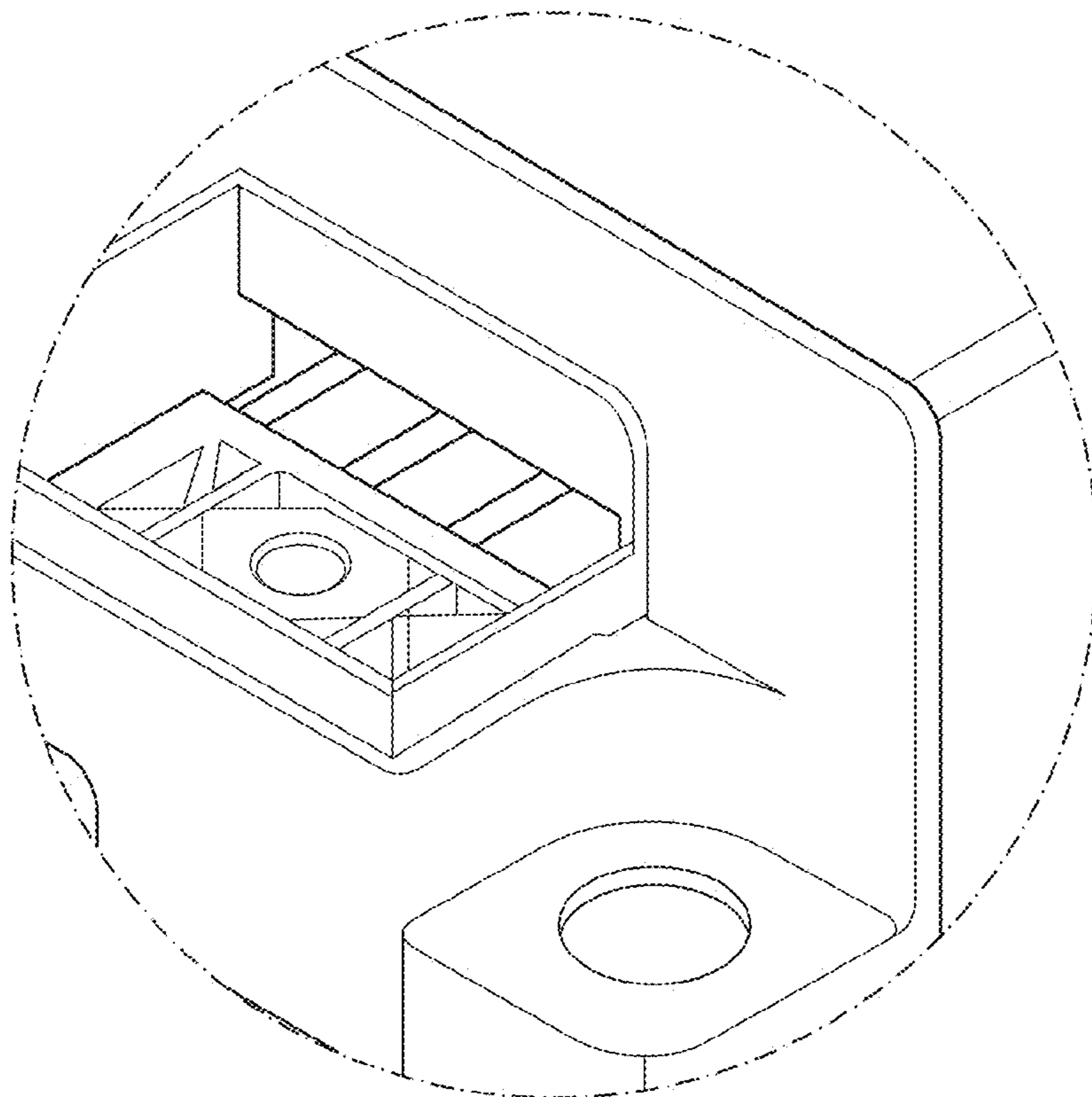


FIG. 12

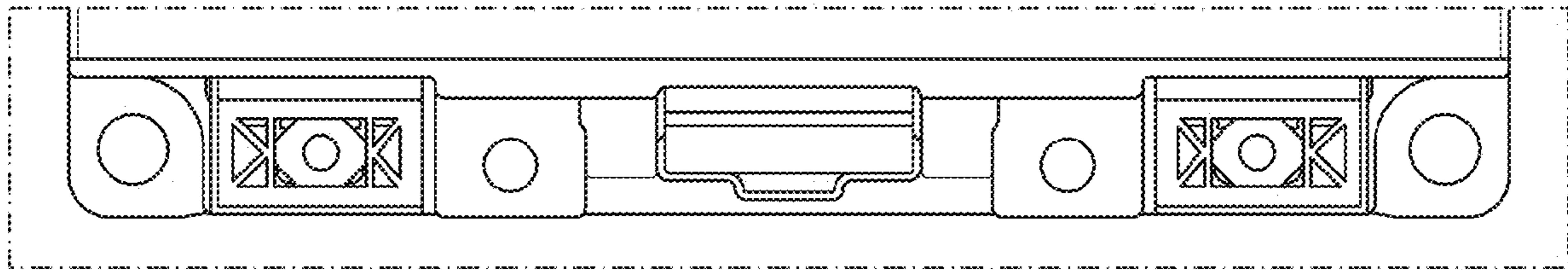


FIG. 13