



US00D921576S

(12) **United States Design Patent** (10) **Patent No.:** **US D921,576 S**
Baker et al. (45) **Date of Patent:** **** Jun. 8, 2021**

(54) **BATTERY**

(71) Applicant: **DURACELL U.S. OPERATIONS, INC.**, Wilmington, DE (US)
(72) Inventors: **Kathleen Ann Baker**, Bethel, CT (US); **Tatiana Jouanneau**, Bethel, CT (US); **Natalie Denny**, Chicago, IL (US); **Michael Laforteza**, Pleasantville, NY (US); **Paul Laforteza**, Pleasantville, NY (US); **Cliff Fischer**, Pleasantville, NY (US)

(73) Assignee: **DURACELL U.S. OPERATIONS, INC.**, Wilmington, DE (US)

(**) Term: **15 Years**

(21) Appl. No.: **29/673,552**

(22) Filed: **Dec. 14, 2018**

(51) **LOC (13) Cl.** **13-02**

(52) **U.S. Cl.**
USPC **D13/103**

(58) **Field of Classification Search**
USPC D13/102–110, 118–119, 184
CPC Y02E 60/10; Y02E 60/12; Y02E 60/122; Y02E 60/124; Y02E 60/50; H01M 2/02; H01M 2/022; H01M 2/0202; H01M 2/0207; H01M 2/0212; H01M 2/1061; H01M 2/1022; H01M 2/1055; H01M 2/1066;

(Continued)

(56) **References Cited**

U.S. PATENT DOCUMENTS

D388,051 S * 12/1997 Harada D13/103
D392,249 S * 3/1998 Nakazawa D13/103
(Continued)

OTHER PUBLICATIONS

Duracell Optimum Gamer x Toothbrush, Duracell, published Jul. 15, 2019 on youtube.com, retrieved on Feb. 21, 2020, retrieved from the Internet URL: <https://www.youtube.com/watch?v=XrOBVN5Lapc>.*
(Continued)

Primary Examiner — Catherine S Posthauer
Assistant Examiner — Alison M Ofstun
(74) *Attorney, Agent, or Firm* — Marshall, Gerstein & Borun LLP

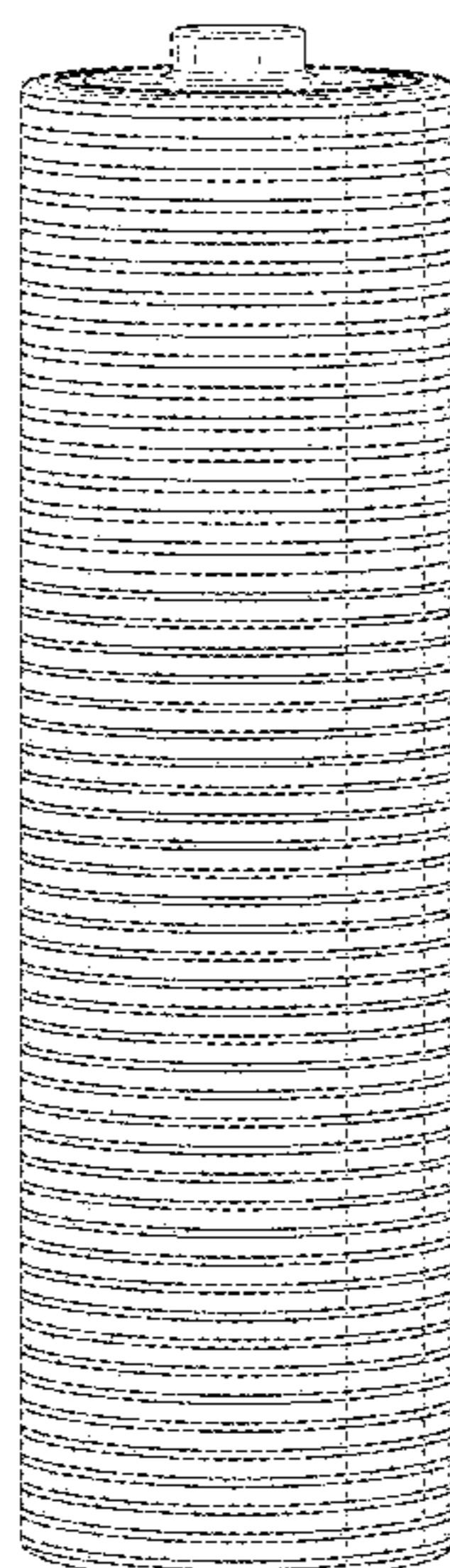
(57) **CLAIM**

The ornamental design for a battery, as shown and described.

DESCRIPTION

The file of this patent contains at least one drawing/photograph executed in color. Copies of this patent with color drawing(s)/photograph(s) will be provided by the Office upon request and payment of the necessary fee.
FIG. 1 is a top perspective view of a first embodiment of a battery showing our new ornamental design;
FIG. 2 is a front view thereof;
FIG. 3 is a back view thereof;
FIG. 4 is a top view thereof; and
FIG. 5 is a bottom view thereof.
FIG. 6 is a top perspective view of a second embodiment of a battery showing our new ornamental design;
FIG. 7 is a front view thereof;
FIG. 8 is a back view thereof;
FIG. 9 is a top view thereof; and
FIG. 10 is a bottom view thereof.
FIG. 11 is a top perspective view of a third embodiment of a battery showing our new ornamental design;
FIG. 12 is a front view thereof;
FIG. 13 is a back view thereof;
FIG. 14 is a top view thereof; and
FIG. 15 is a bottom view thereof.
FIGS. 11 through 15 are colored drawings.

1 Claim, 9 Drawing Sheets
(3 of 9 Drawing Sheet(s) Filed in Color)



(58) **Field of Classification Search**
 CPC H01M 2/105; H01M 2/20; H01M 2/202;
 H01M 2/204; H01M 2/206; H01M 10/44;
 H01M 10/46; H01M 10/465; H01M
 10/482; H01M 2200/30; H01M 2250/30;
 H01M 2250/40; H02J 7/00; H02J 7/0003;
 H02J 7/0011; H02J 7/0013; H02J 7/0054;
 H02J 7/0055; H02J 7/0057; H02J
 2007/0062
 See application file for complete search history.

D539,216 S * 3/2007 Hamaguchi D13/103
 D550,612 S * 9/2007 Harada D13/103
 D577,333 S * 9/2008 Daniel D13/103
 D607,402 S * 1/2010 Himeda D13/103
 D720,688 S * 1/2015 Popper D13/103
 D740,221 S * 10/2015 Popper D13/103
 D751,978 S * 3/2016 Hong D13/103
 D762,564 S * 8/2016 Patton D13/103
 D763,788 S * 8/2016 Bakker D13/103
 9,793,542 B2 * 10/2017 Nelson H01M 6/04
 10,297,875 B2 * 5/2019 Riemer H01M 10/48
 D867,280 S * 11/2019 Chen D13/103
 2006/0275656 A1 * 12/2006 Feddrix H01M 2/1055
 429/179

(56) **References Cited**

U.S. PATENT DOCUMENTS

D403,297 S * 12/1998 Nakazawa D13/103
 D413,565 S * 9/1999 Nakayama D13/103
 D428,385 S * 7/2000 Luh D13/103
 D459,297 S * 6/2002 Searle D13/103
 D479,705 S * 9/2003 Hirokawa D13/103
 D481,993 S * 11/2003 Searle D13/103
 D533,872 S * 12/2006 Ligameri D14/492

OTHER PUBLICATIONS

Rayovac 2016 Industrial Catalog. Wisconsin: Spectrum Brands, Inc., 2016. Retrieved from <https://www.turtle.com/ASSETS/DOCUMENTS/ITEMS/EN/Rayovac_ALC_Catalog.pdf>.

* cited by examiner

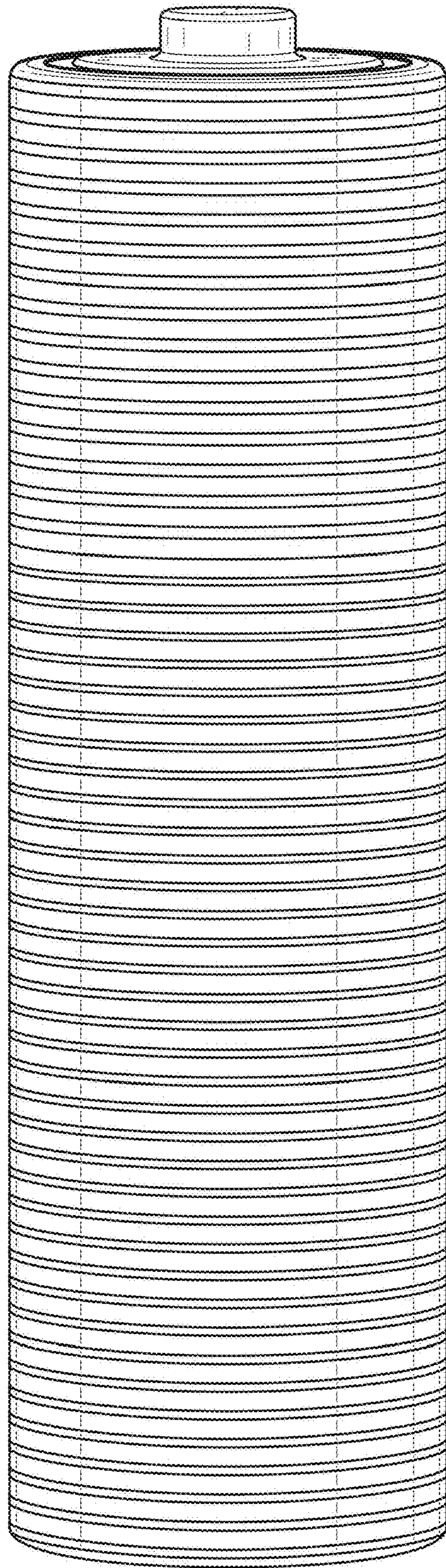


FIG. 1

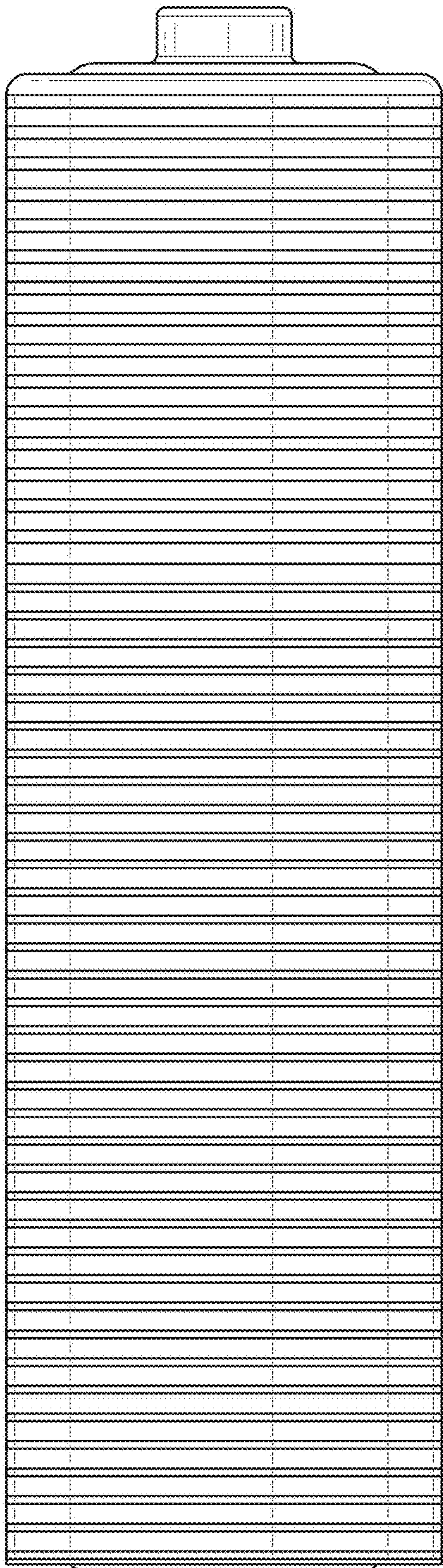


FIG. 2

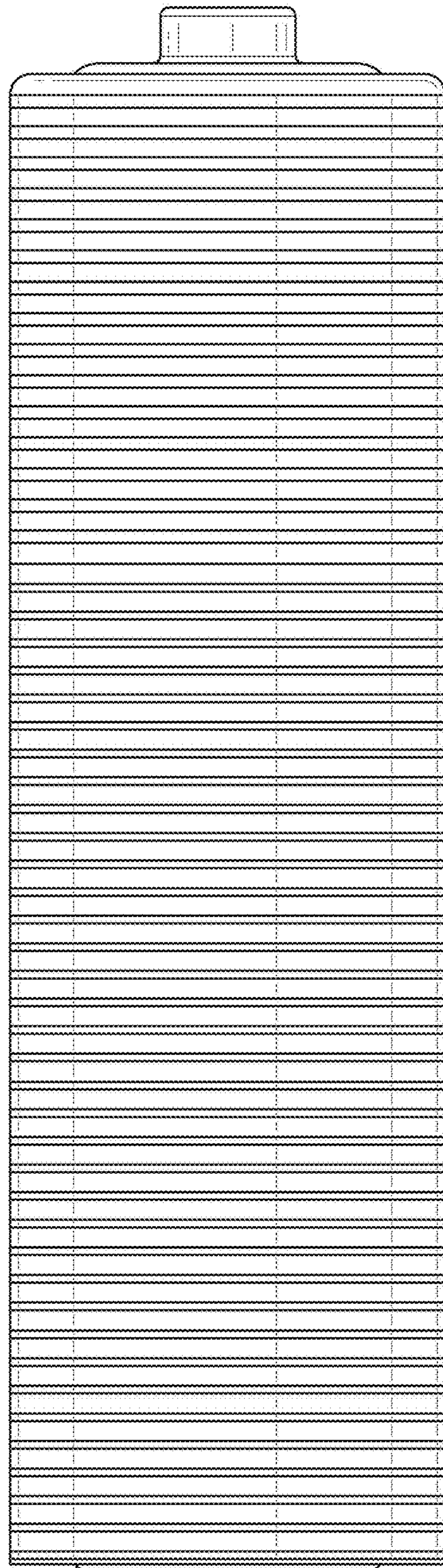


FIG. 3

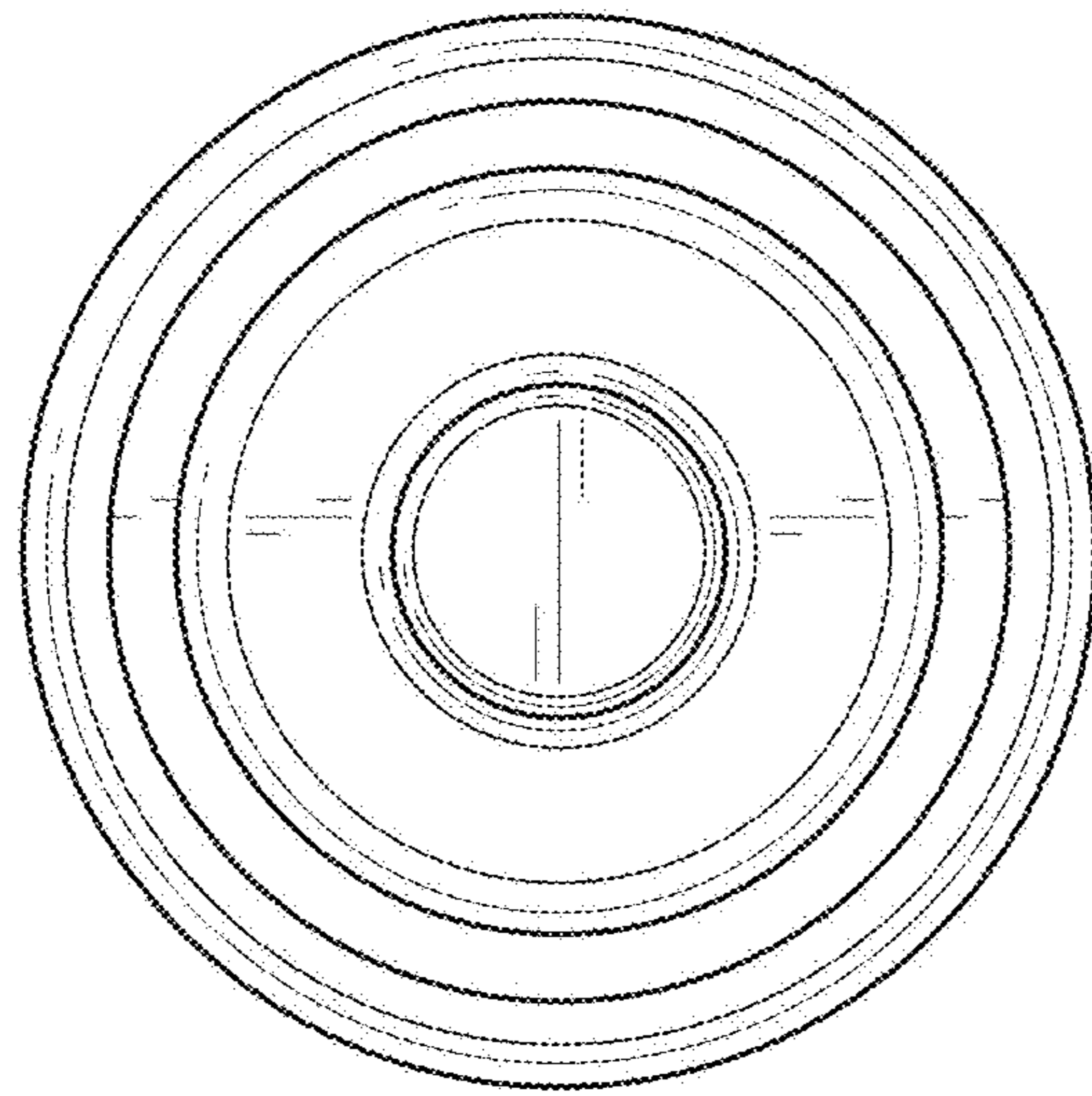


FIG. 4

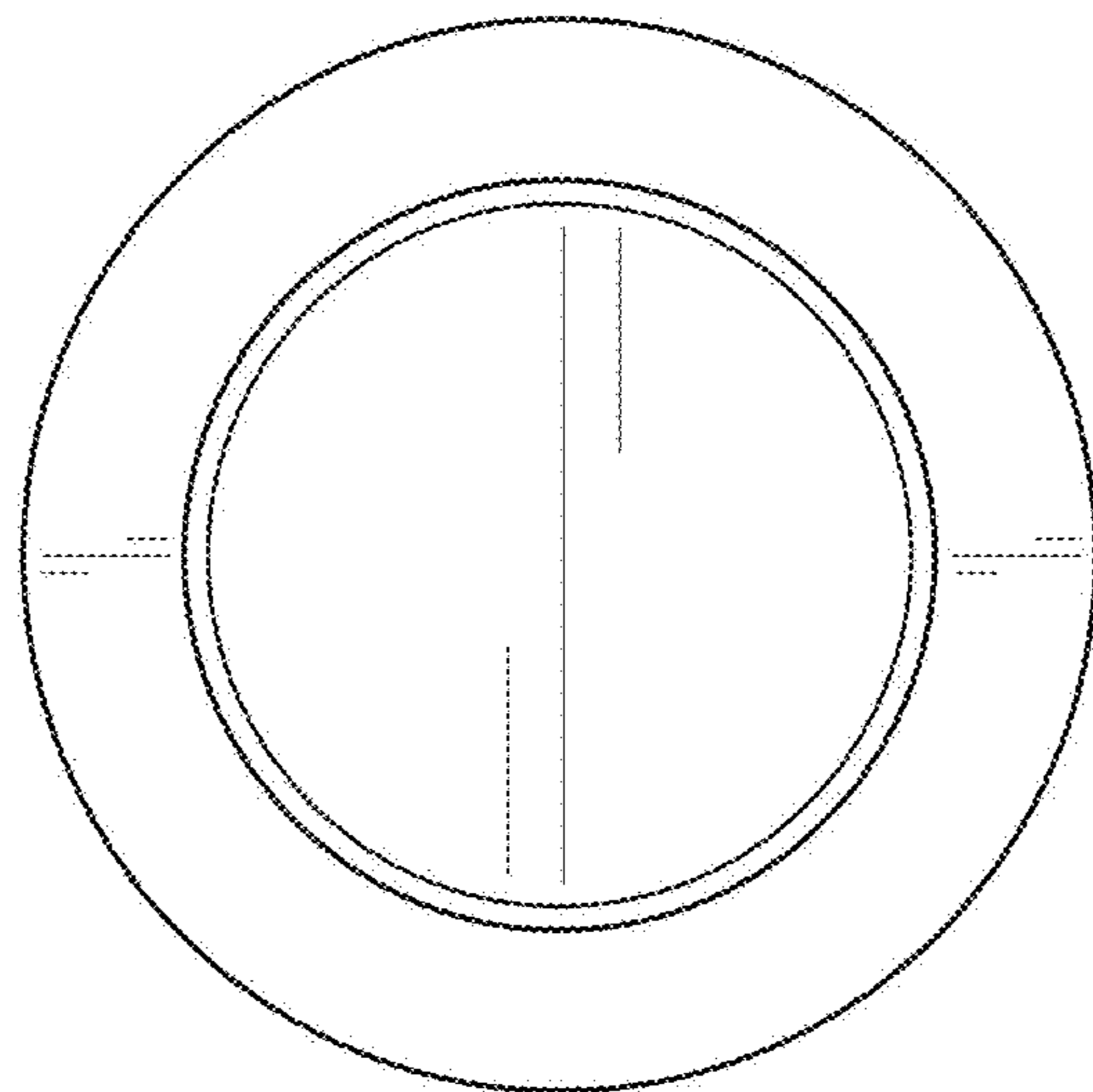


FIG. 5

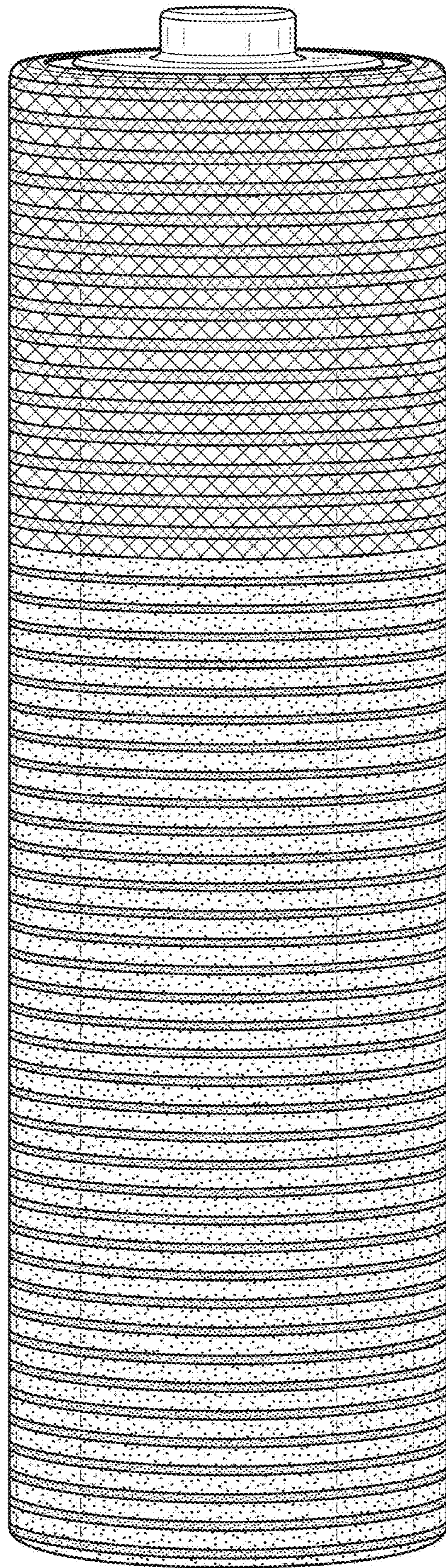


FIG. 6

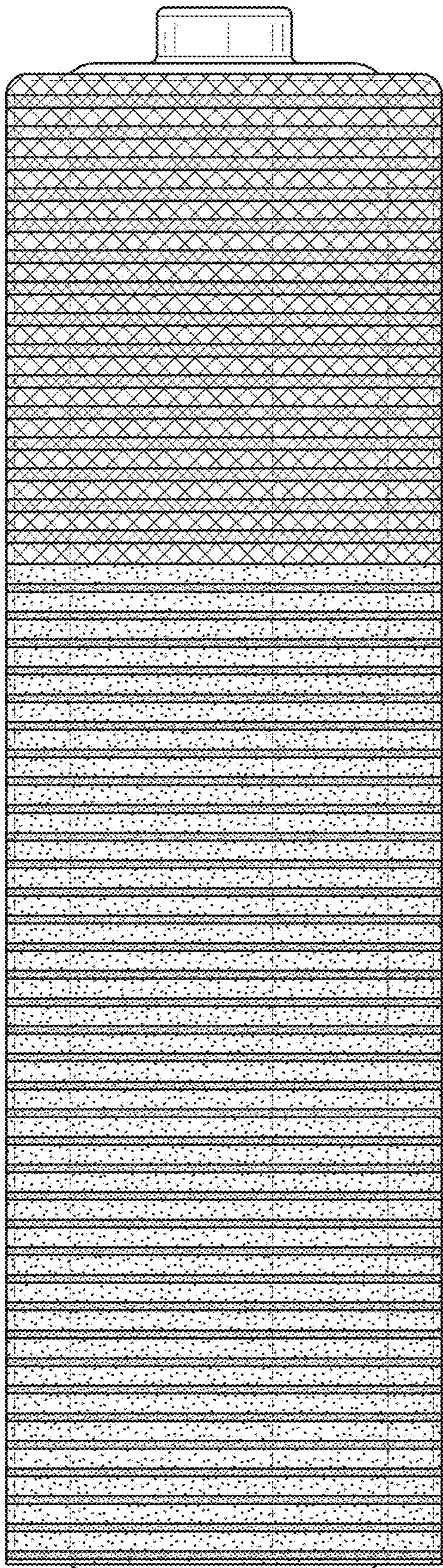


FIG. 7

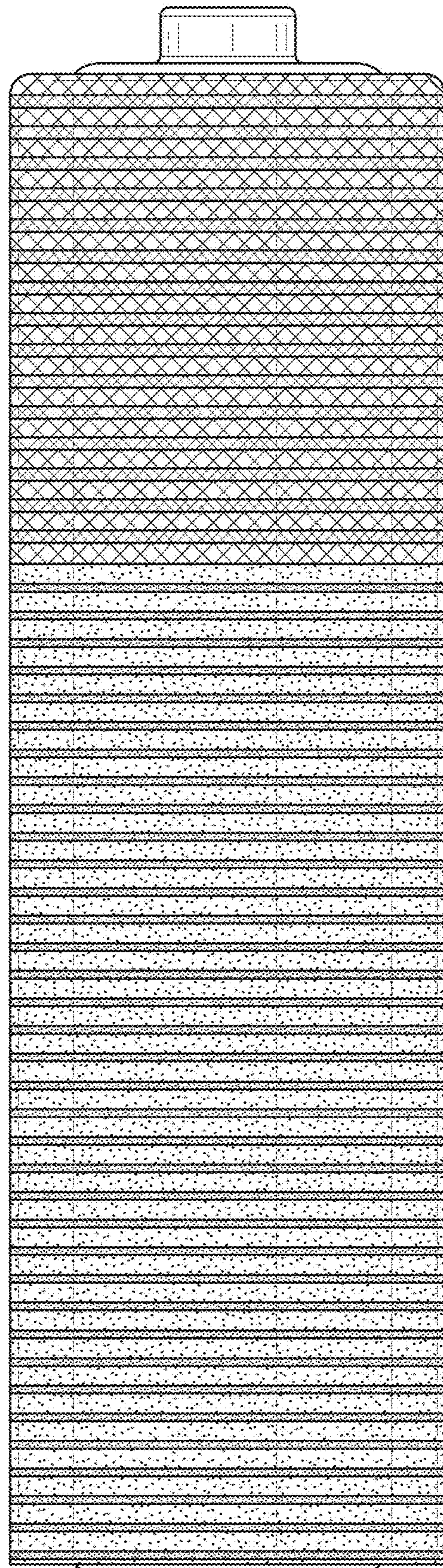


FIG. 8

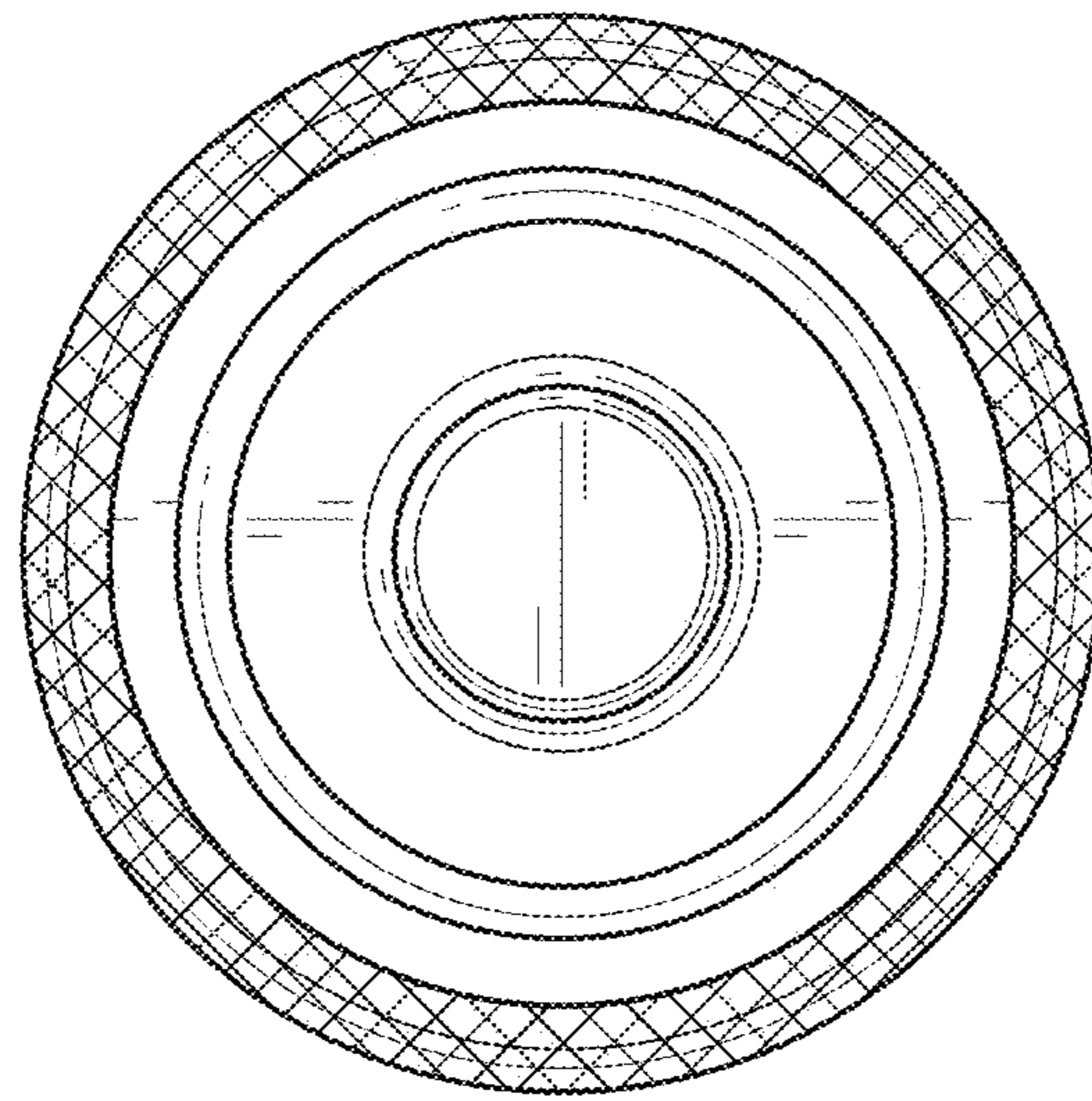


FIG. 9

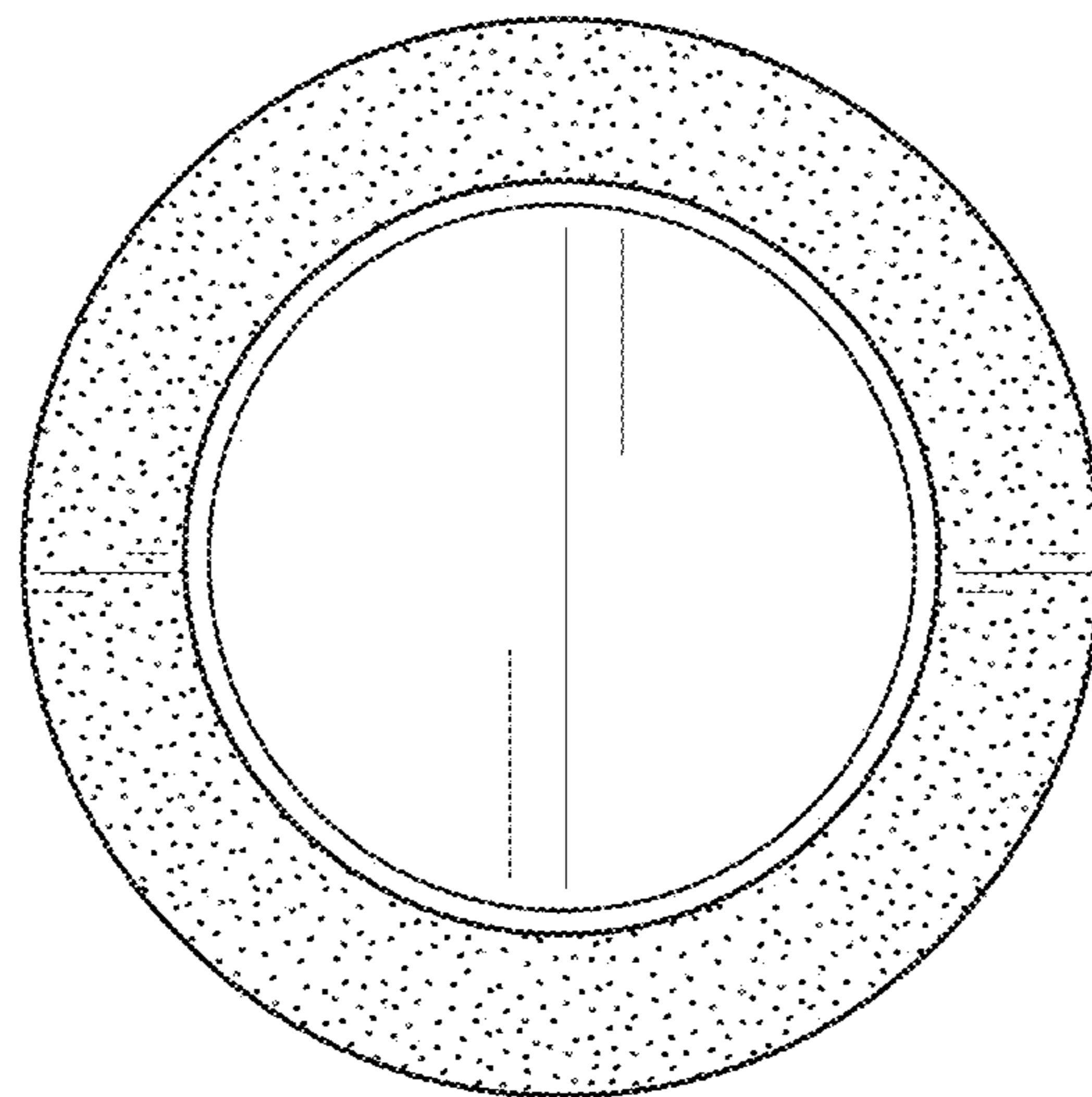


FIG. 10



FIG. 11

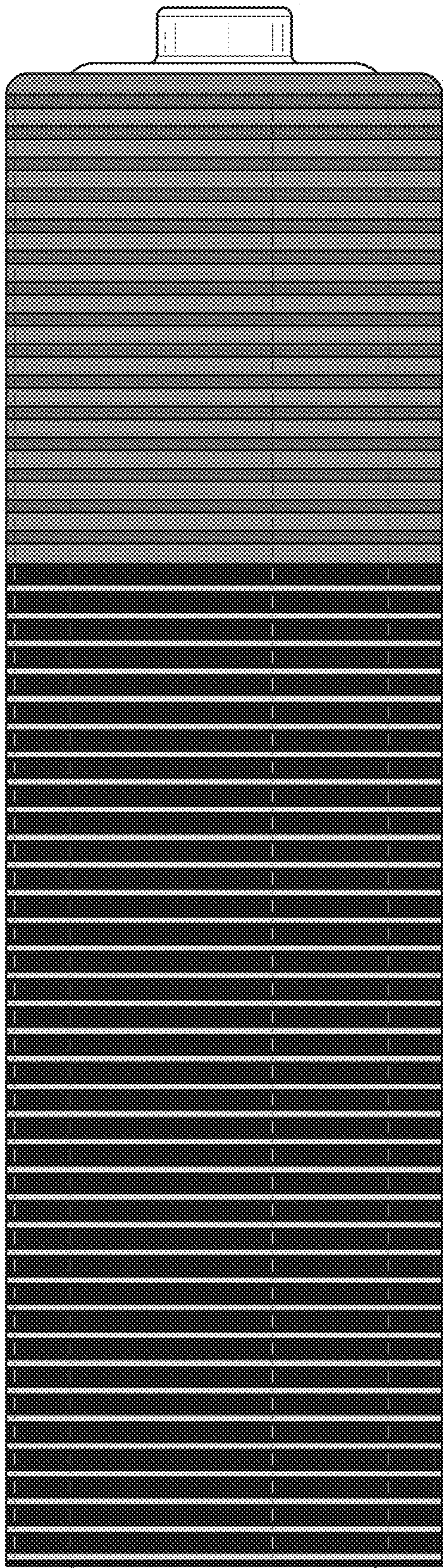


FIG. 12

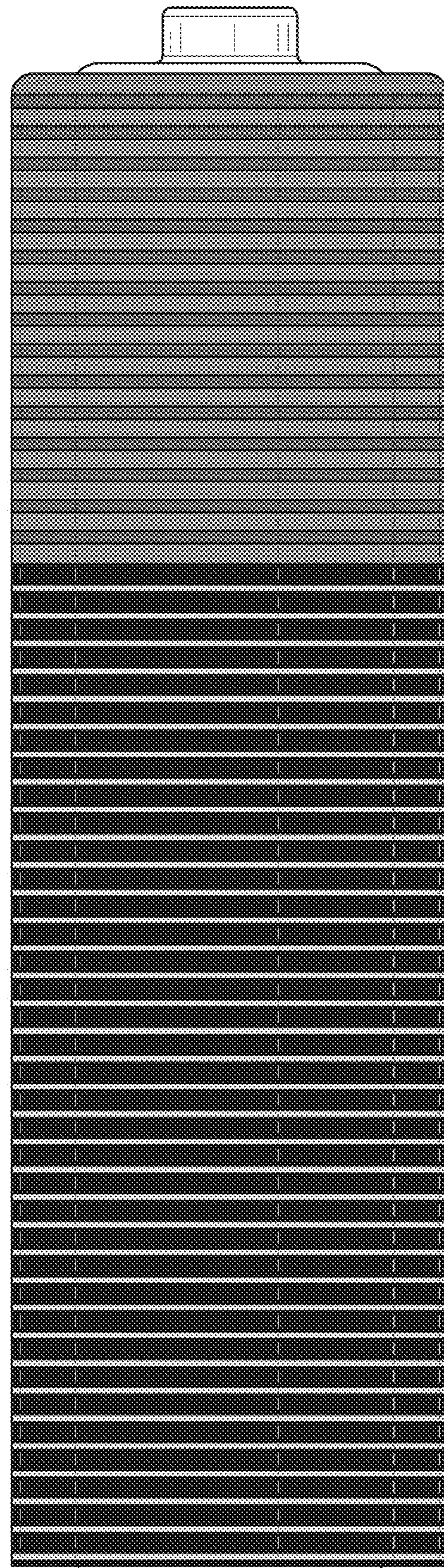


FIG. 13

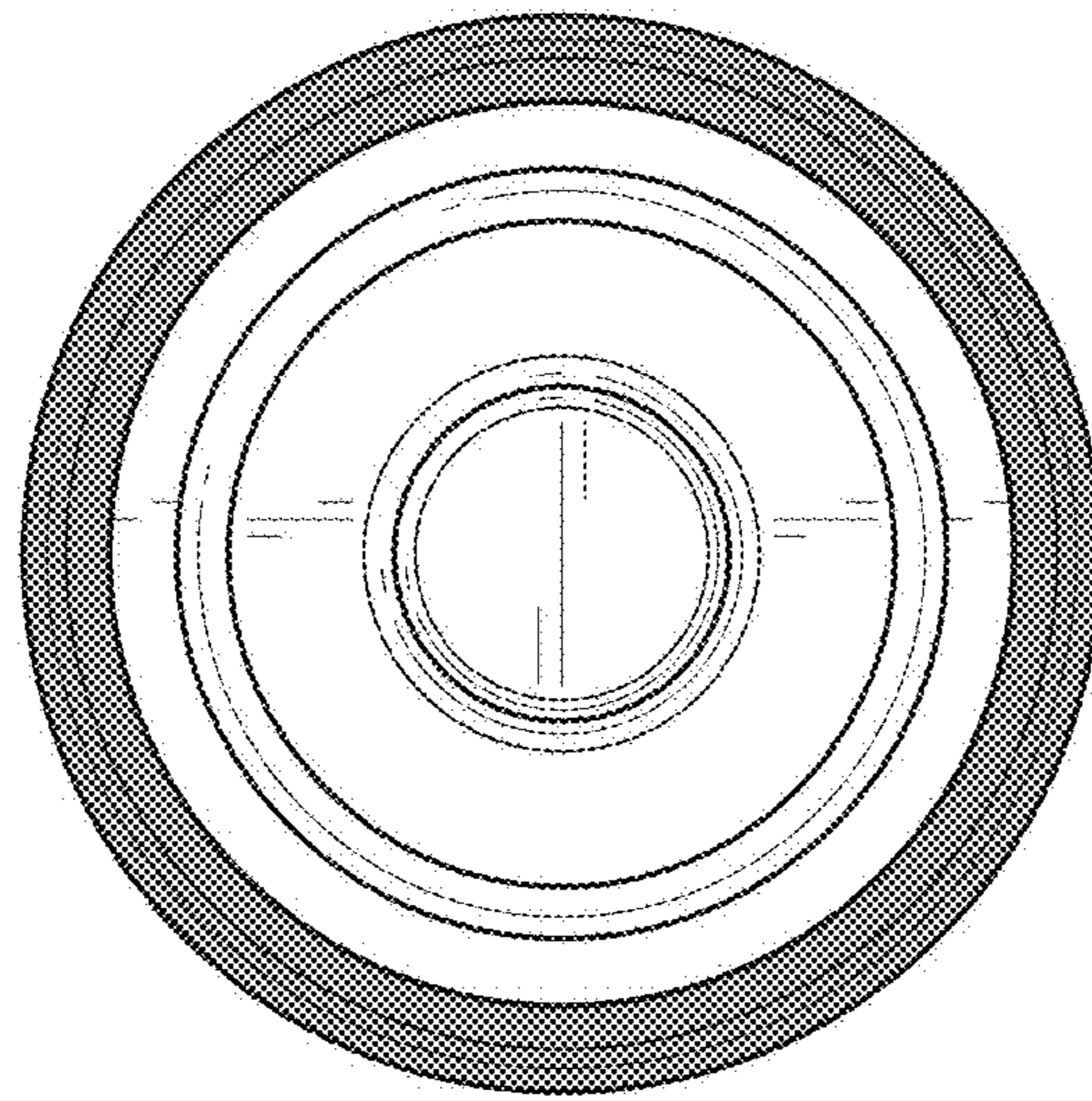


FIG. 14

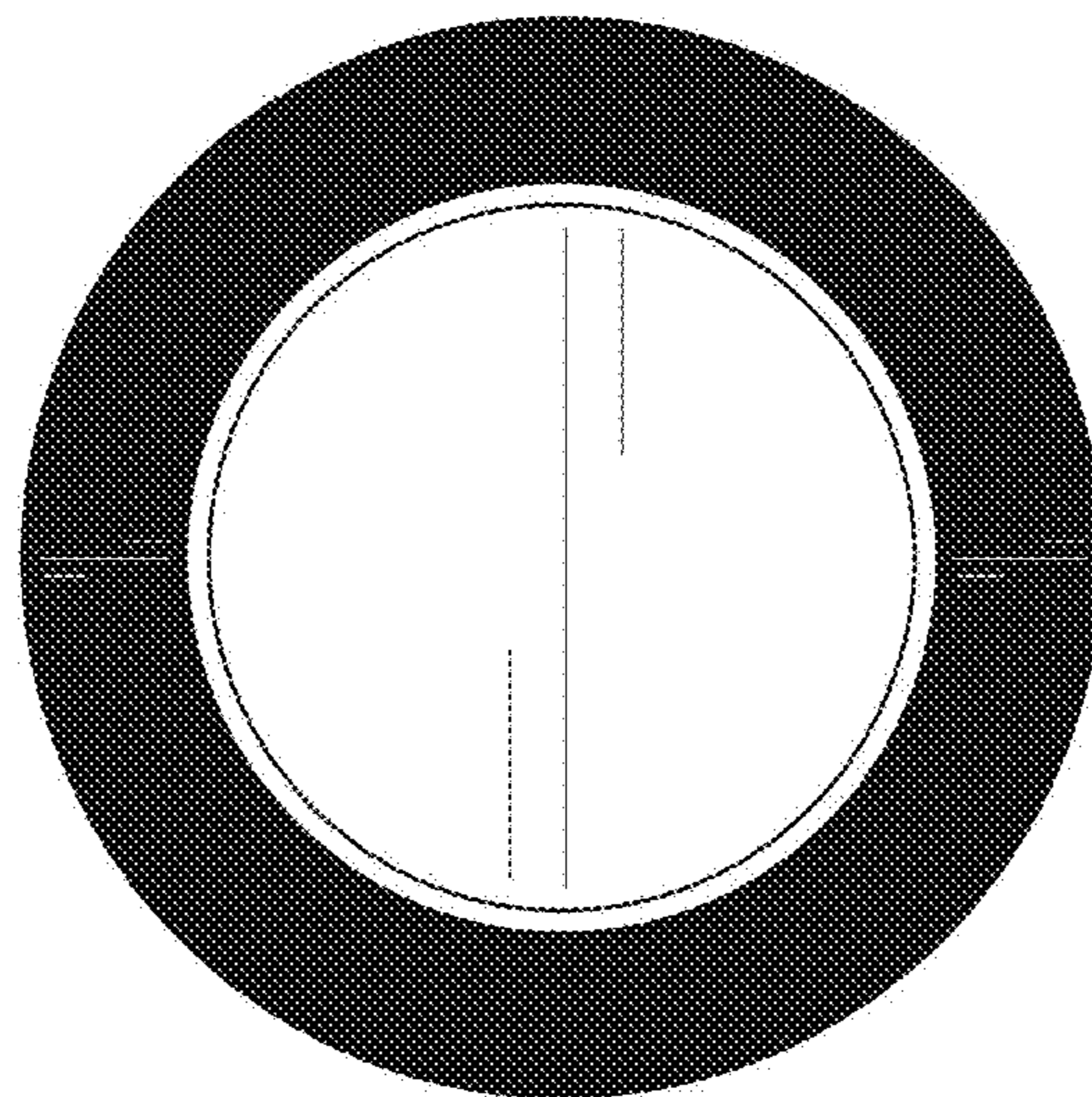


FIG. 15