



US00D921575S

(12) **United States Design Patent**  
**Zhao**

(10) **Patent No.:** **US D921,575 S**

(45) **Date of Patent:** **\*\* Jun. 8, 2021**

(54) **BATTERY**

(71) Applicant: **SZ DJI Technology Co., Ltd.**,  
Shenzhen (CN)

(72) Inventor: **Yun Zhao**, Shenzhen (CN)

(73) Assignee: **SZ DJI Technology Co., Ltd.**,  
Shenzhen (CN)

(\*\*) Term: **15 Years**

(21) Appl. No.: **29/654,662**

(22) Filed: **Jun. 26, 2018**

(51) **LOC (13) Cl.** ..... **13-02**

(52) **U.S. Cl.**  
USPC ..... **D13/103**

(58) **Field of Classification Search**

USPC ..... D13/102, 103, 107, 108, 110, 112, 113,  
D13/118, 119, 184, 199; D12/16.1  
CPC ..... Y02T 10/7005; Y02T 10/705; Y02T  
10/7088; H02J 7/025; H02J 7/0042; H02J  
7/0044; H02J 7/0045; H02J 7/0003; H01F  
38/14; H01M 2/02; H01M 2/022; H01M  
2/0202; H01M 2/0207; H01M 2/0212;  
H01M 2/1061; H01M 2/1022; H01M  
2/1055; H01M 2/1066; H01M 2/105;  
H01M 2/204; Y02E 60/12; Y02E 60/122;  
Y02E 60/124; Y02E 60/50

See application file for complete search history.

(56) **References Cited**

**U.S. PATENT DOCUMENTS**

D328,888 S 8/1992 Zhu  
D383,435 S 9/1997 Svetlik  
D383,725 S 9/1997 Settsu  
D389,119 S \* 1/1998 Nuovo ..... D13/103  
D391,622 S 3/1998 Huynh et al.  
D400,495 S 11/1998 Deslyper et al.  
D407,708 S 4/1999 Nagele et al.  
D412,486 S 8/1999 Gray et al.

(Continued)

**FOREIGN PATENT DOCUMENTS**

CN 3103794 2/1999  
CN 3106518 3/1999

(Continued)

**OTHER PUBLICATIONS**

Amazon.com: DJI Mavic 2 Intelligent Flight Battery . . . Date first available of Nov. 13, 2018. Retrieved from the internet at <amazon.ca/DJI-Intelligent-Flight-Battery-2-Pack/dp/B07JZFHHMW>, Feb. 4, 2021. 1 page. (Year: 2018).\*

(Continued)

*Primary Examiner* — Christy Nemeth

(74) *Attorney, Agent, or Firm* — Sterne, Kessler,  
Goldstein & Fox P.L.L.C.

(57) **CLAIM**

The ornamental design for a battery, as shown and described.

**DESCRIPTION**

This application incorporates by reference in its entirety each of the following U.S. Design patent application Nos., filed on the same day herewith:

Ser. No. 29/654,658, titled “Aerial Vehicle”

Ser. No. 29/654,663, titled “Camera”

Ser. No. 29/654,665, titled “Camera with gimbal”

FIG. 1 is a top front perspective view of a battery showing the claimed design;

FIG. 2 is a bottom rear perspective view thereof;

FIG. 3 is a front view thereof;

FIG. 4 is a rear view thereof;

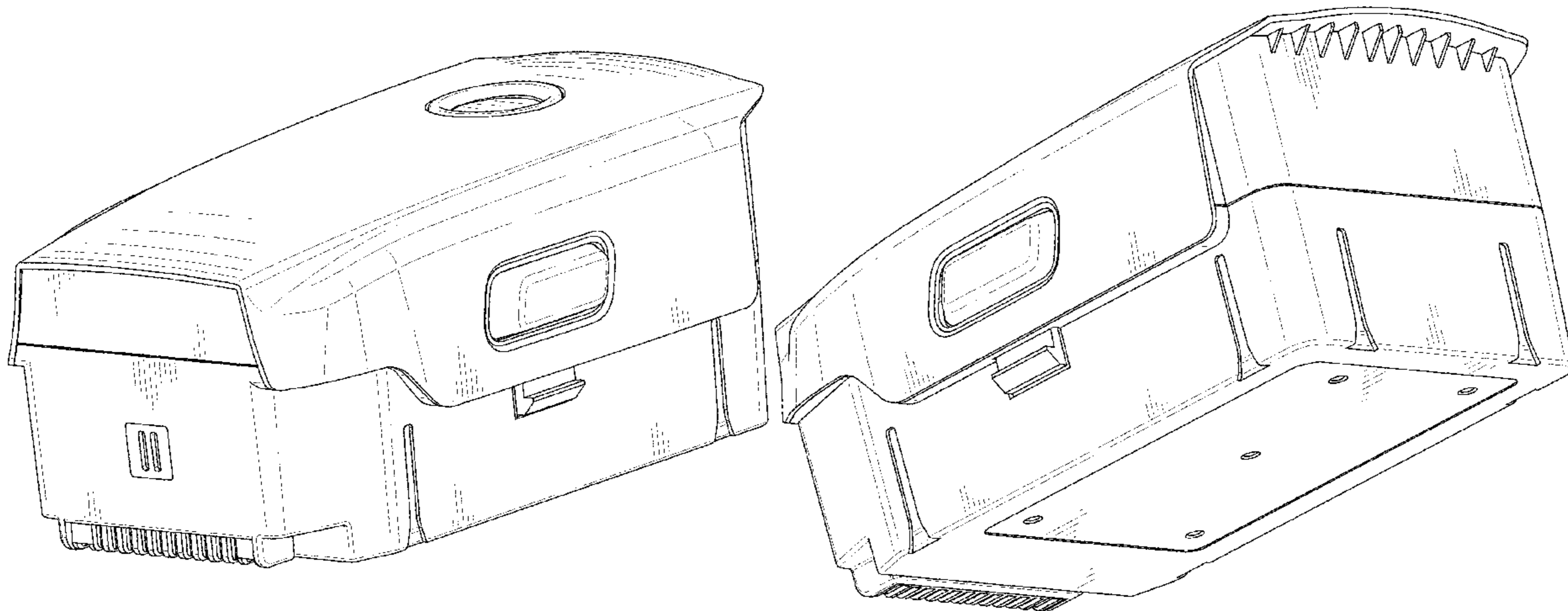
FIG. 5 is a left side view thereof;

FIG. 6 is a right side view thereof;

FIG. 7 is a top view thereof; and,

FIG. 8 is a bottom view thereof.

**1 Claim, 6 Drawing Sheets**



(56)

References Cited

U.S. PATENT DOCUMENTS

D412,487 S \* 8/1999 Nagele ..... D13/108  
 D432,493 S 10/2000 Killebrew et al.  
 D446,766 S \* 8/2001 Han ..... D13/103  
 D448,340 S 9/2001 Hall et al.  
 D476,618 S 7/2003 Wong et al.  
 D481,008 S 10/2003 Wade  
 D483,725 S 12/2003 Thompson et al.  
 D488,436 S 4/2004 Wulff  
 D492,248 S 6/2004 Gregory et al.  
 D503,922 S 4/2005 Shimizu  
 D515,499 S 2/2006 Matsuda et al.  
 D528,975 S 9/2006 Chi et al.  
 D547,264 S 7/2007 Kondo  
 D559,175 S 1/2008 Houghton  
 D576,545 S 9/2008 Mandel et al.  
 D592,131 S 5/2009 Heinzen et al.  
 D594,403 S 6/2009 Yang  
 D604,254 S 11/2009 Lanfear et al.  
 D614,125 S 4/2010 Tinids  
 D624,011 S 9/2010 Bertagnole et al.  
 D631,835 S 2/2011 Neidhart  
 D632,643 S 2/2011 Tanaka et al.  
 D642,517 S 8/2011 Inman et al.  
 D647,050 S 10/2011 Tu  
 D648,270 S 11/2011 Jiang  
 D657,307 S 4/2012 Zhao  
 D660,788 S 5/2012 Ziring et al.  
 D660,789 S 5/2012 Mar  
 D663,264 S 7/2012 London  
 D678,187 S 3/2013 Huang  
 D680,061 S \* 4/2013 Jiang ..... D13/103  
 D682,195 S 5/2013 Aglassinger  
 D693,297 S 11/2013 Inskeep  
 D694,176 S 11/2013 Buetow et al.  
 D699,672 S 2/2014 Kosugi et al.  
 D704,135 S 5/2014 Stewart et al.  
 D709,444 S 7/2014 Ibuki et al.  
 D713,786 S 9/2014 Wen  
 D725,590 S 3/2015 Clyne et al.  
 D738,822 S 9/2015 Stewart  
 D740,222 S 10/2015 Tang  
 D740,749 S 10/2015 Stewart  
 D743,886 S 11/2015 Nomi  
 D751,989 S 3/2016 Imai  
 D756,915 S 5/2016 Yang  
 D764,402 S 8/2016 Rowe et al.  
 D766,821 S 9/2016 Chan et al.  
 D768,567 S 10/2016 Caubel et al.  
 D776,059 S 1/2017 Kim et al.  
 D779,439 S 2/2017 Suzuki  
 D780,111 S 2/2017 Clyne et al.  
 D780,116 S 2/2017 Bing  
 9,565,782 B2 2/2017 Alexander  
 D784,261 S 4/2017 Rowe et al.  
 D788,625 S 6/2017 Hsieh et al.  
 D791,695 S 7/2017 Bergman et al.  
 D792,343 S 7/2017 Rowe et al.  
 D794,554 S 8/2017 Chang  
 D796,432 S 9/2017 Liu et al.  
 D810,677 S \* 2/2018 Chen ..... D13/103  
 D811,994 S \* 3/2018 Hare ..... D13/103  
 D814,970 S \* 4/2018 Chen ..... D12/16.1  
 D817,266 S \* 5/2018 Peng ..... D13/103  
 D819,561 S 6/2018 Wang et al.  
 D822,593 S 7/2018 Trongone  
 D835,573 S \* 12/2018 Chen ..... D13/103  
 D854,448 S \* 7/2019 Chen ..... D12/16.1  
 D858,433 S \* 9/2019 Gan ..... D13/103  
 D866,396 S \* 11/2019 Chen ..... D12/16.1

D869,375 S \* 12/2019 Kim ..... D12/328  
 D870,037 S \* 12/2019 Lee ..... D13/107  
 D871,321 S \* 12/2019 Chung ..... D13/103  
 D872,688 S \* 1/2020 Nazar ..... D13/108  
 D873,766 S \* 1/2020 Ansehn ..... D13/103  
 D874,338 S \* 2/2020 Zhao ..... D12/16.1  
 D874,974 S \* 2/2020 Zhou ..... D12/16.1  
 D875,038 S \* 2/2020 Droge ..... D13/107  
 D881,067 S \* 4/2020 Zhou ..... D12/16.1  
 D882,460 S \* 4/2020 Chen ..... D12/16.1  
 D882,539 S \* 4/2020 Choubey ..... D13/184  
 D883,195 S \* 5/2020 Jiang ..... D13/103  
 D884,554 S \* 5/2020 Chen ..... D12/16.1  
 D884,602 S \* 5/2020 Matus ..... D13/103  
 D902,847 S \* 11/2020 Sexton ..... D13/107  
 D905,596 S \* 12/2020 Chen ..... D12/16.1  
 D906,171 S \* 12/2020 Chen ..... D12/16.1  
 D906,880 S \* 1/2021 Chen ..... D12/16.1  
 D906,881 S \* 1/2021 Chen ..... D12/16.1  
 D908,588 S \* 1/2021 Zhao ..... D12/328  
 2008/0003494 A1 1/2008 Rejman  
 2010/0221584 A1 9/2010 Reber  
 2014/0049208 A1 2/2014 Carkner et al.  
 2014/0335919 A1 11/2014 Stewart et al.  
 2016/0260938 A1 9/2016 Nielsen et al.

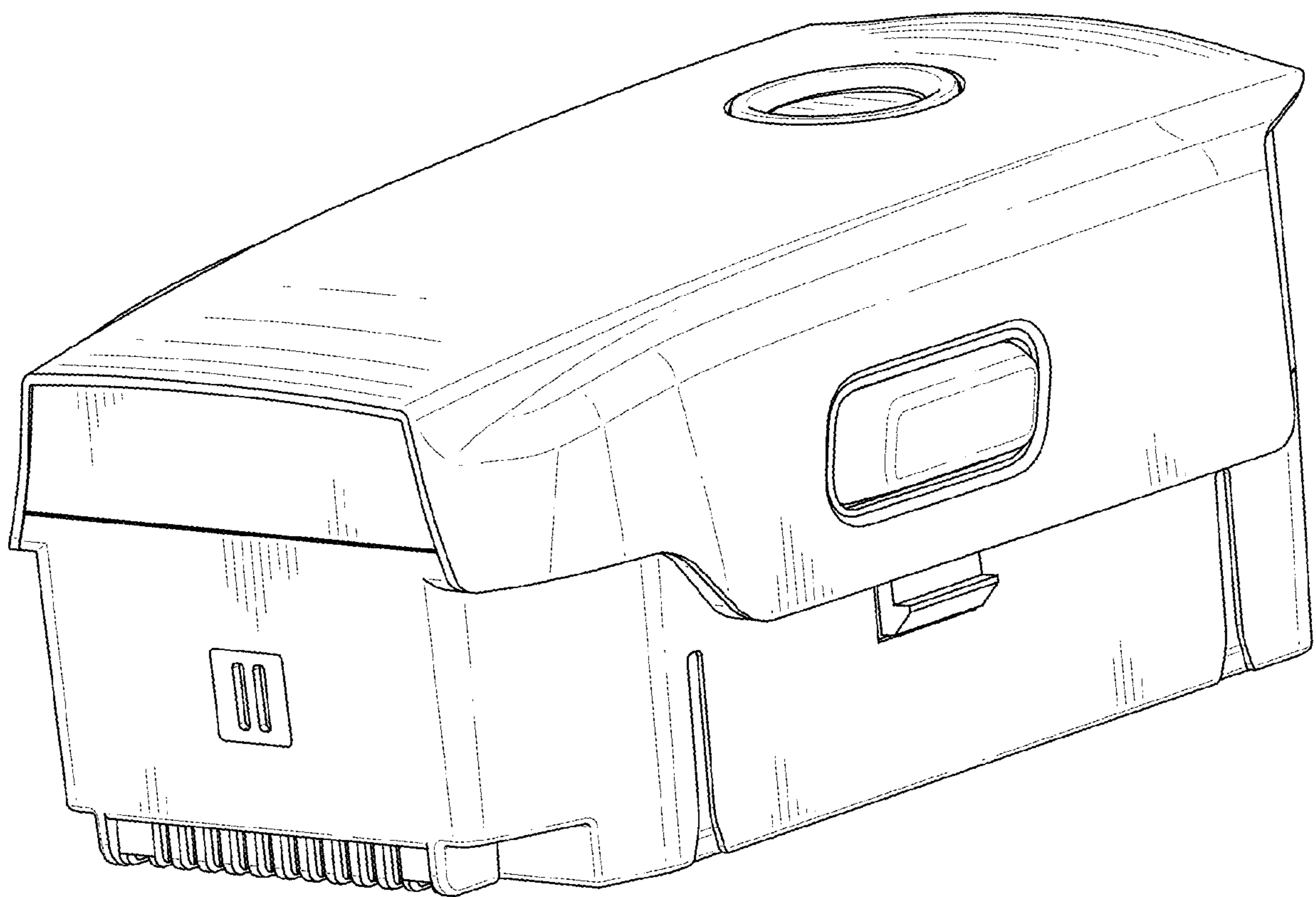
FOREIGN PATENT DOCUMENTS

CN	3141346	3/2000
CN	3151149	6/2000
CN	3262561	11/2002
CN	3480600	10/2005
CN	3590841	12/2006
CN	3612939	2/2007
CN	300744765	2/2008
CN	300855755	12/2008
CN	300935895	6/2009
CN	301953833 S	6/2012
CN	302029981 S	8/2012
CN	302143027 S	10/2012
CN	302267704 S	1/2013
CN	302671698	12/2013
CN	302735703 S	2/2014
CN	303019388 S	12/2014
CN	303256554 S	6/2015
CN	303347409 S	8/2015
CN	303478787 S	12/2015
CN	303478796 S	12/2015
CN	303520035 S	12/2015
CN	303622732	3/2016
JP	D1200696	3/2004
JP	D1230436	2/2005
JP	D1283014	10/2006
JP	D1402061	11/2010
JP	D1433275	2/2012
JP	D1440989	5/2012
JP	D1535878	10/2015
KR	30-0317397-2	2/2003
KR	30-0599097	5/2011
KR	30-0740591	4/2014
WO	WO DM/073199	3/2010

OTHER PUBLICATIONS

DJI TB50 Intelligent Flight Battery, DJI, first available on amazon.com Nov. 18, 2016, retrieved on Oct. 15, 2017, retrieved from the Internet URL: [https://www.amazon.com/DJI-Intelligent-Flight-Battery-Inspire/dp/B01N9C5ZSC/ref=sr\\_1\\_1?ie=UTF8&qid=1508101865&sr=8-1&keywords=DJI+TB50+Intelligent+Flight+Battery](https://www.amazon.com/DJI-Intelligent-Flight-Battery-Inspire/dp/B01N9C5ZSC/ref=sr_1_1?ie=UTF8&qid=1508101865&sr=8-1&keywords=DJI+TB50+Intelligent+Flight+Battery).

\* cited by examiner



**FIG. 1**

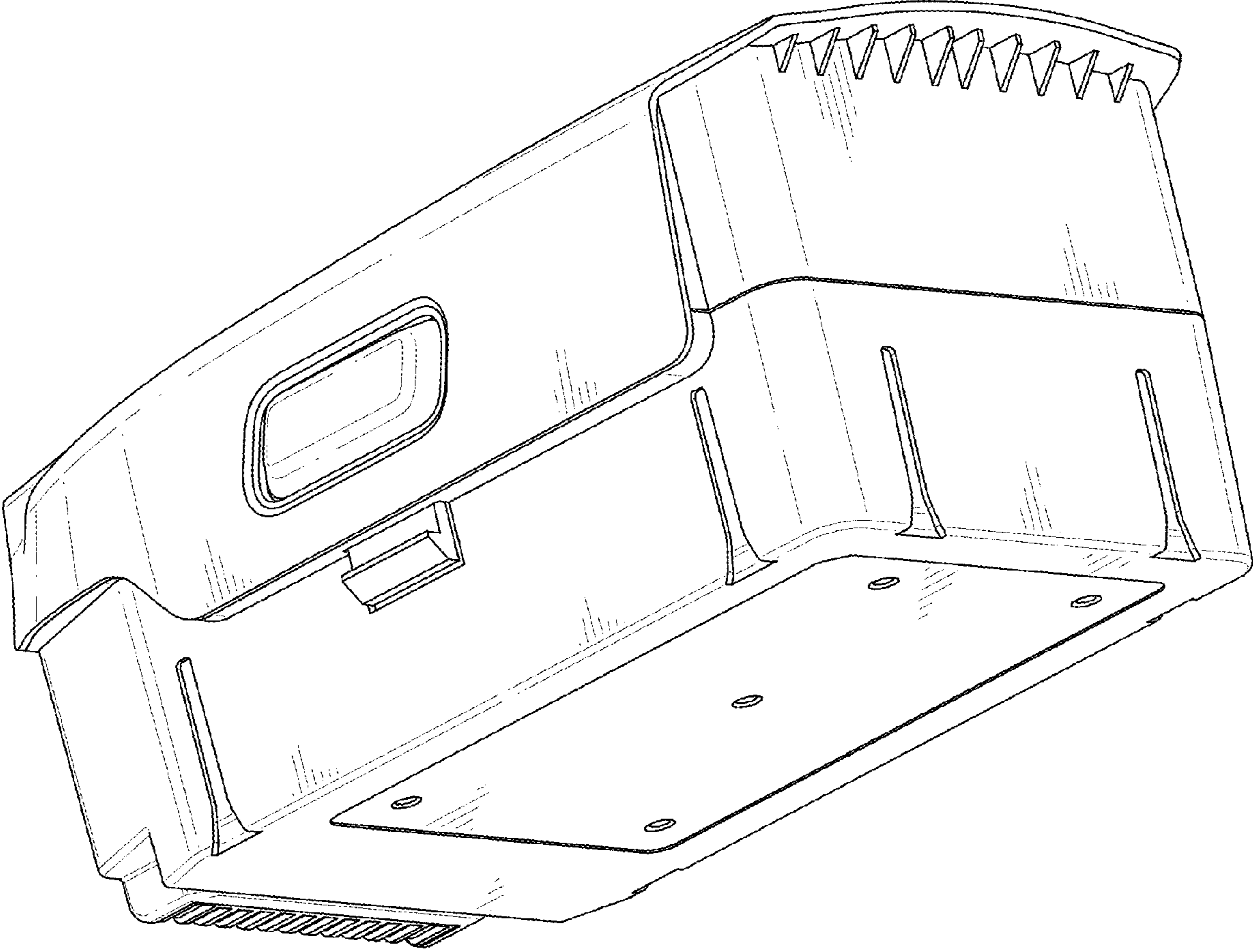
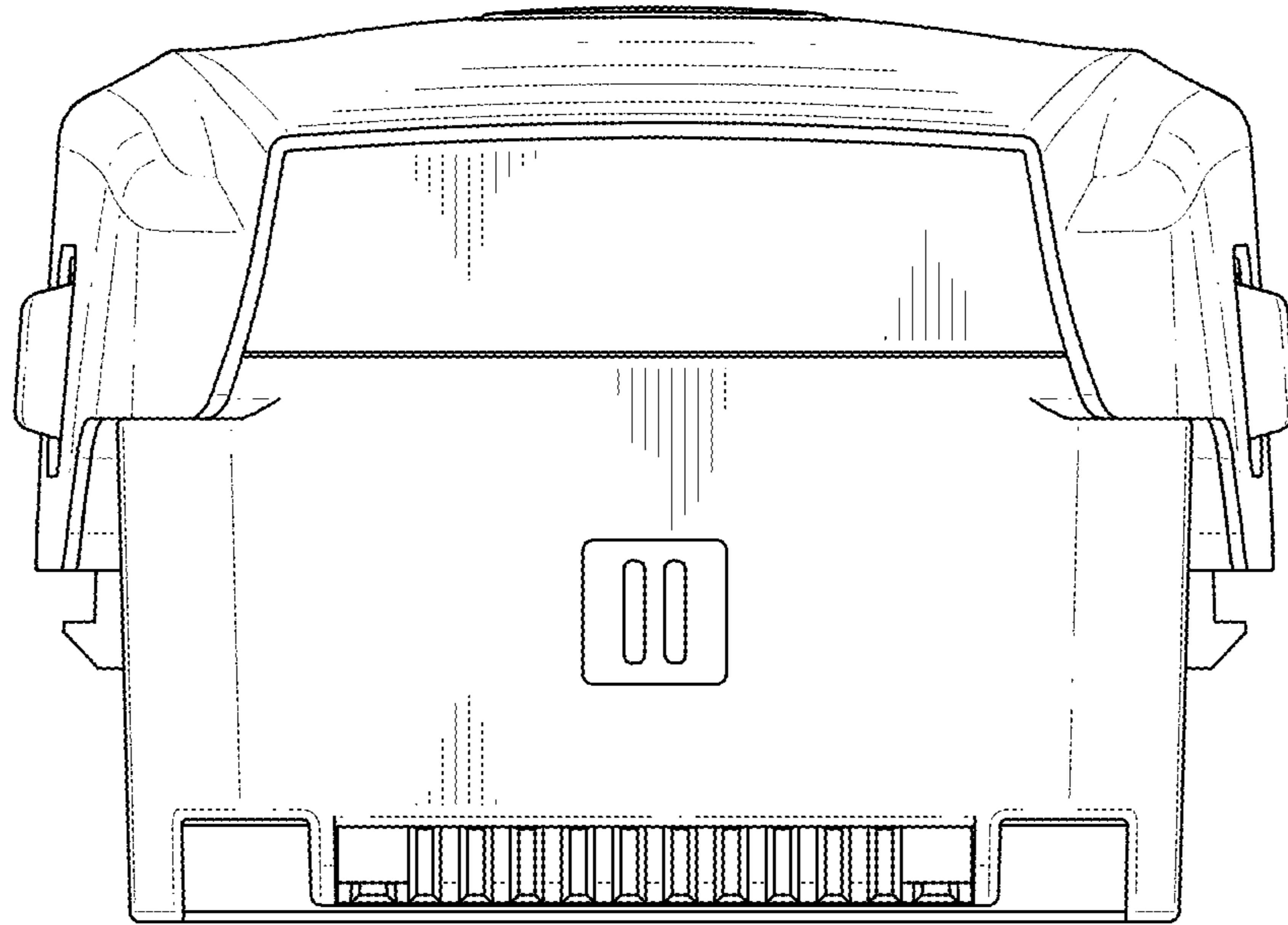
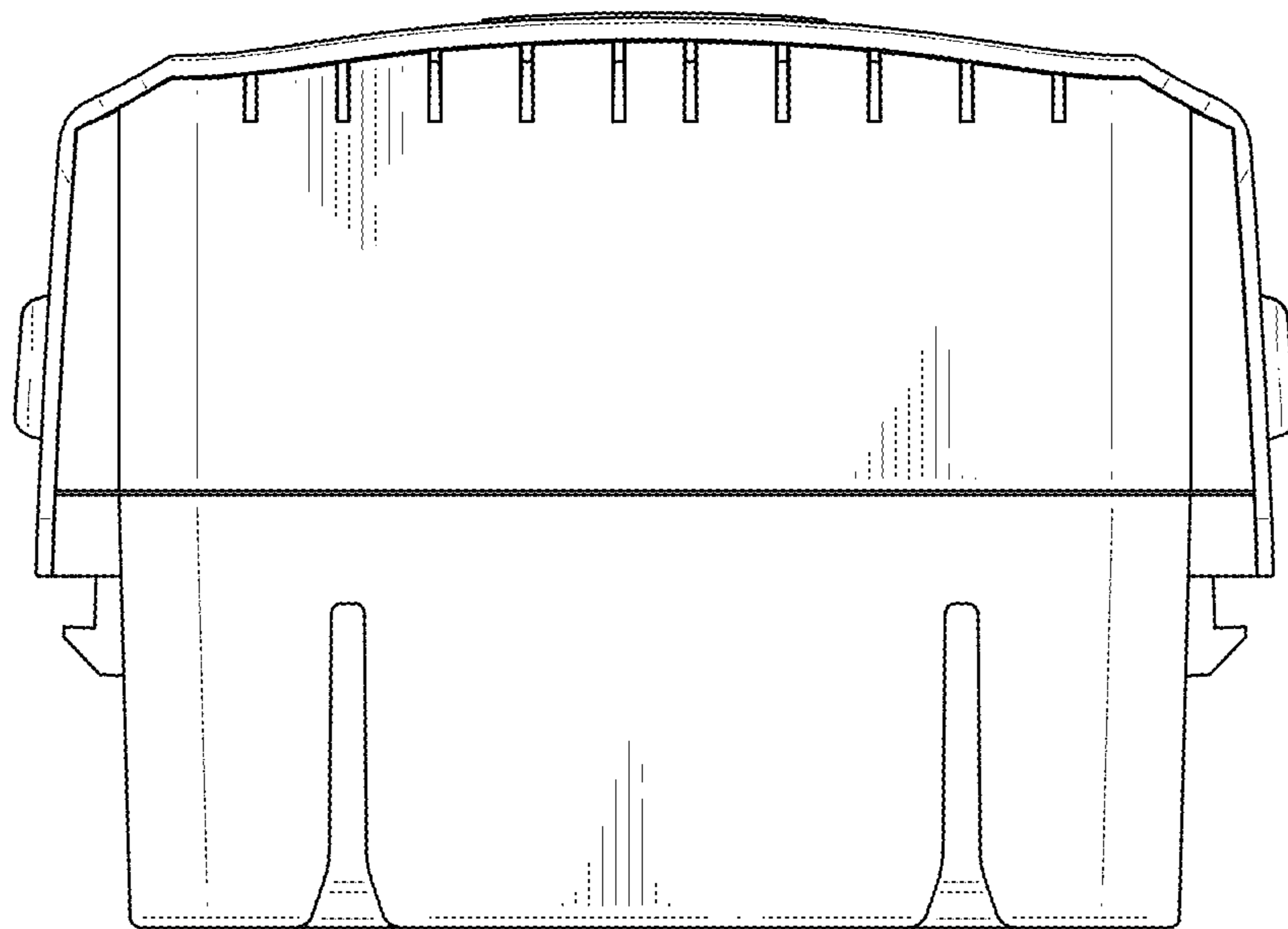


FIG. 2



**FIG. 3**



**FIG. 4**

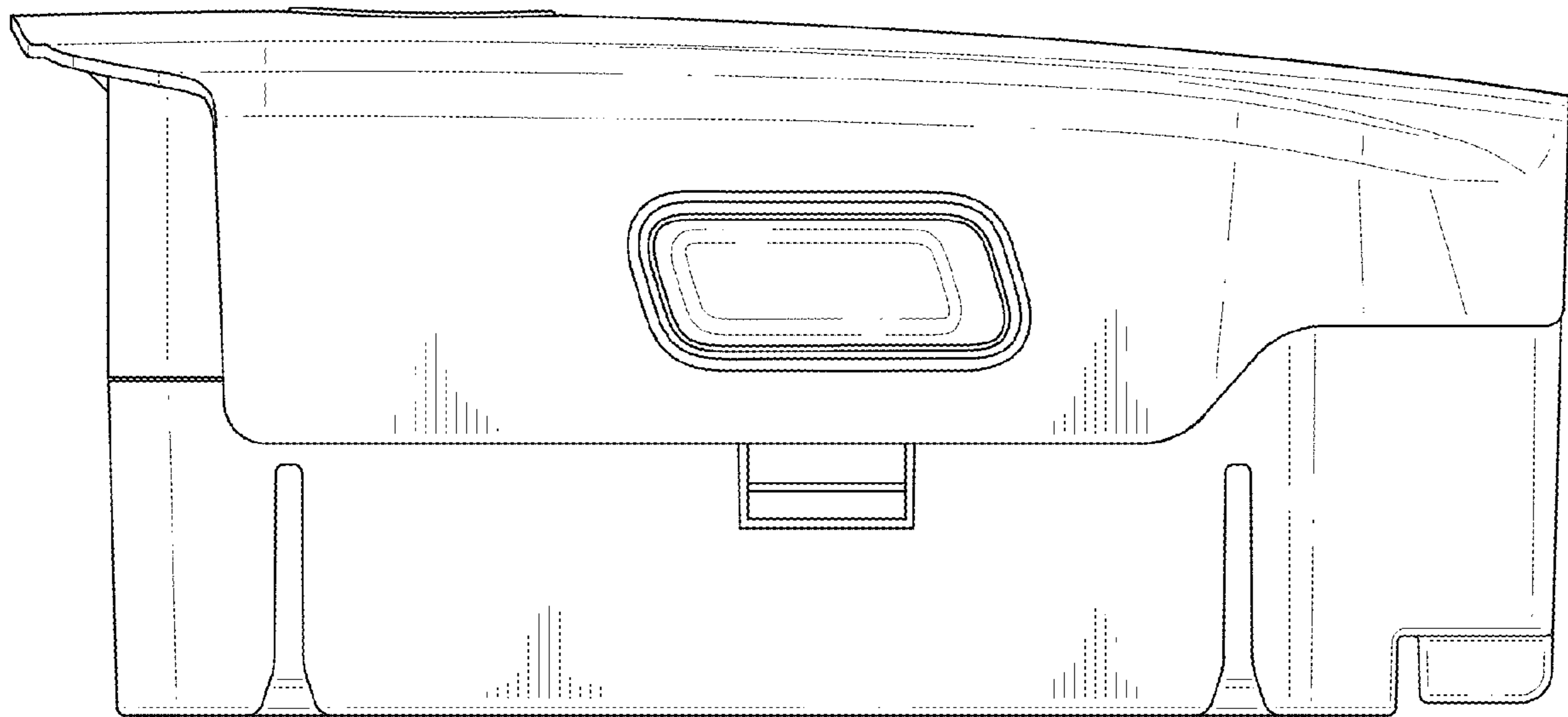


FIG. 5

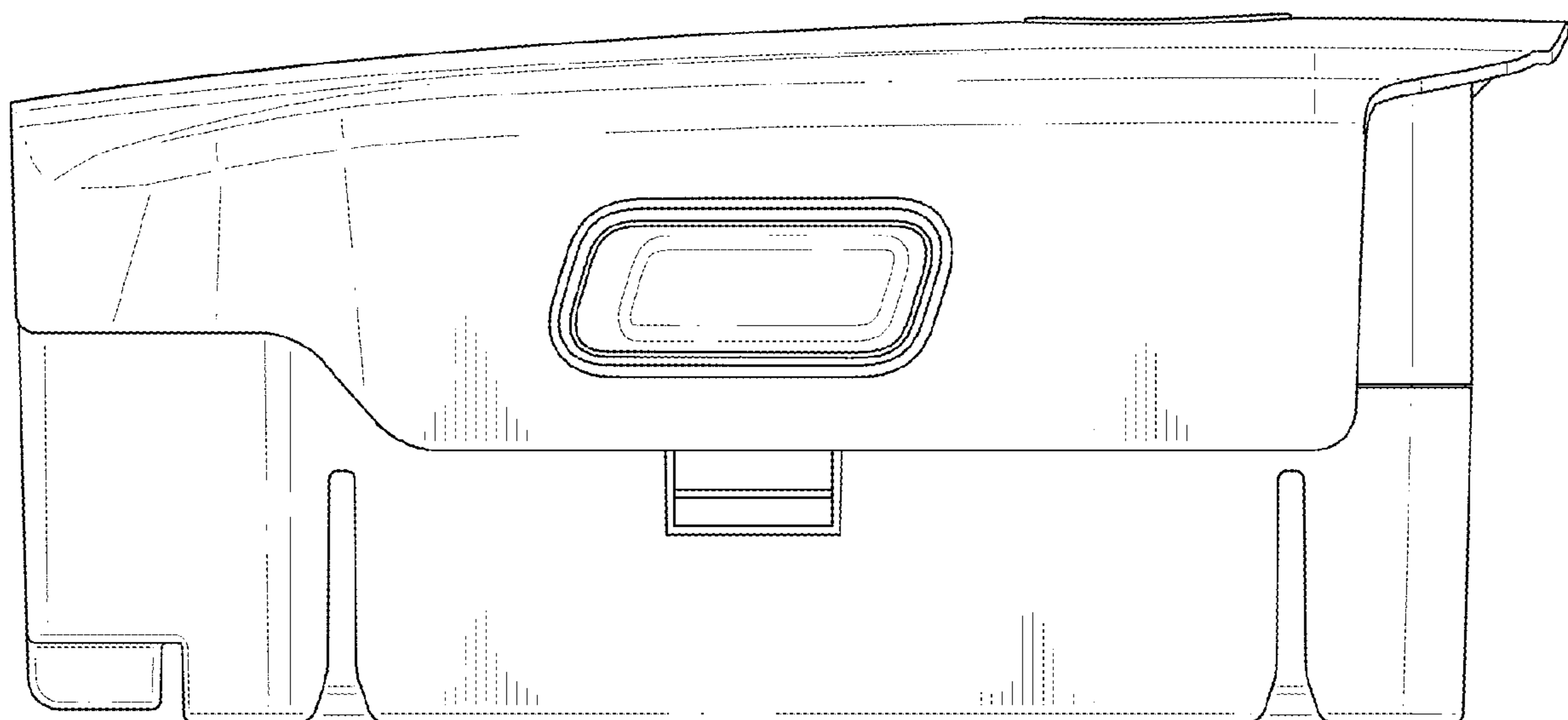


FIG. 6

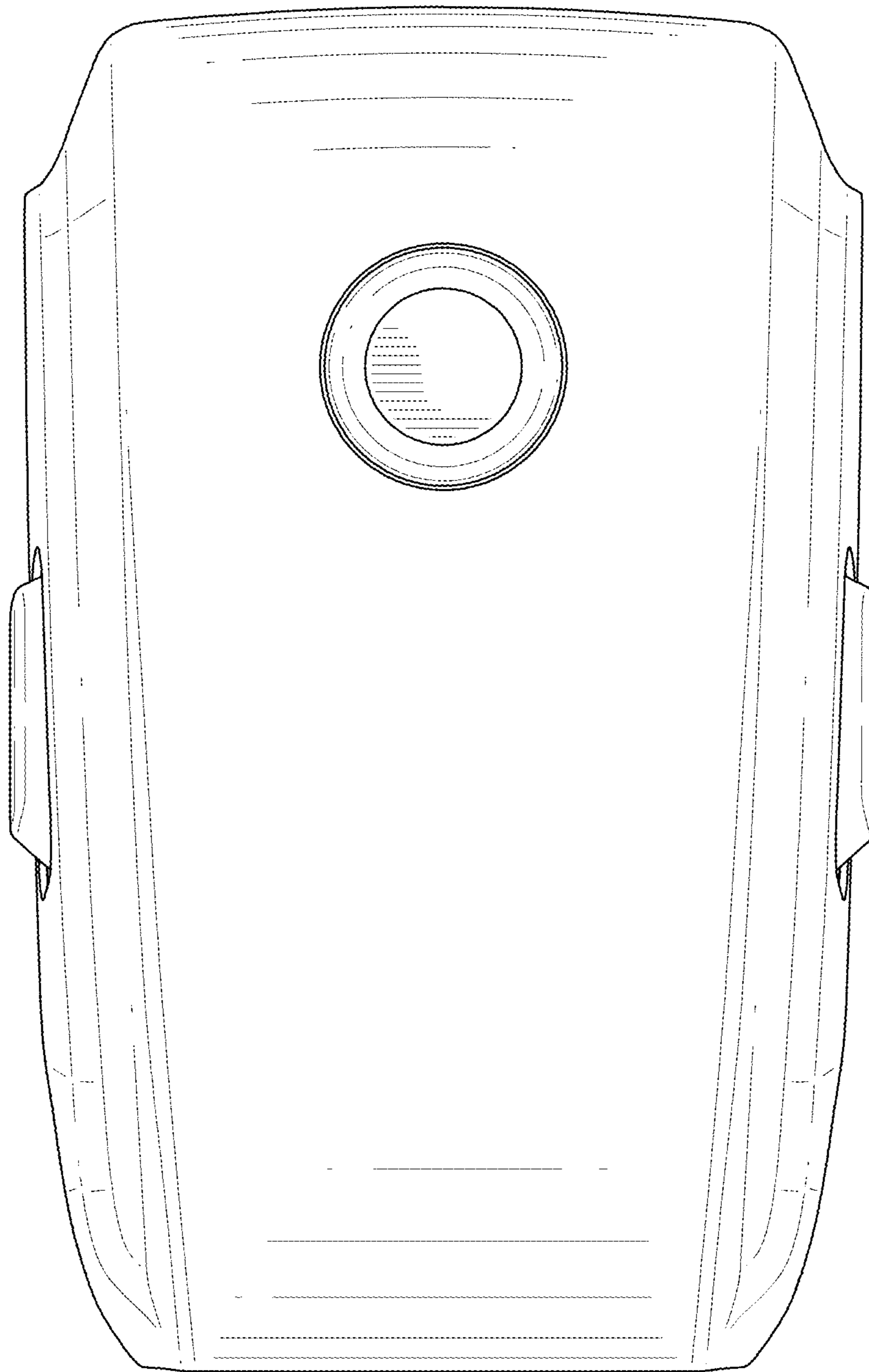
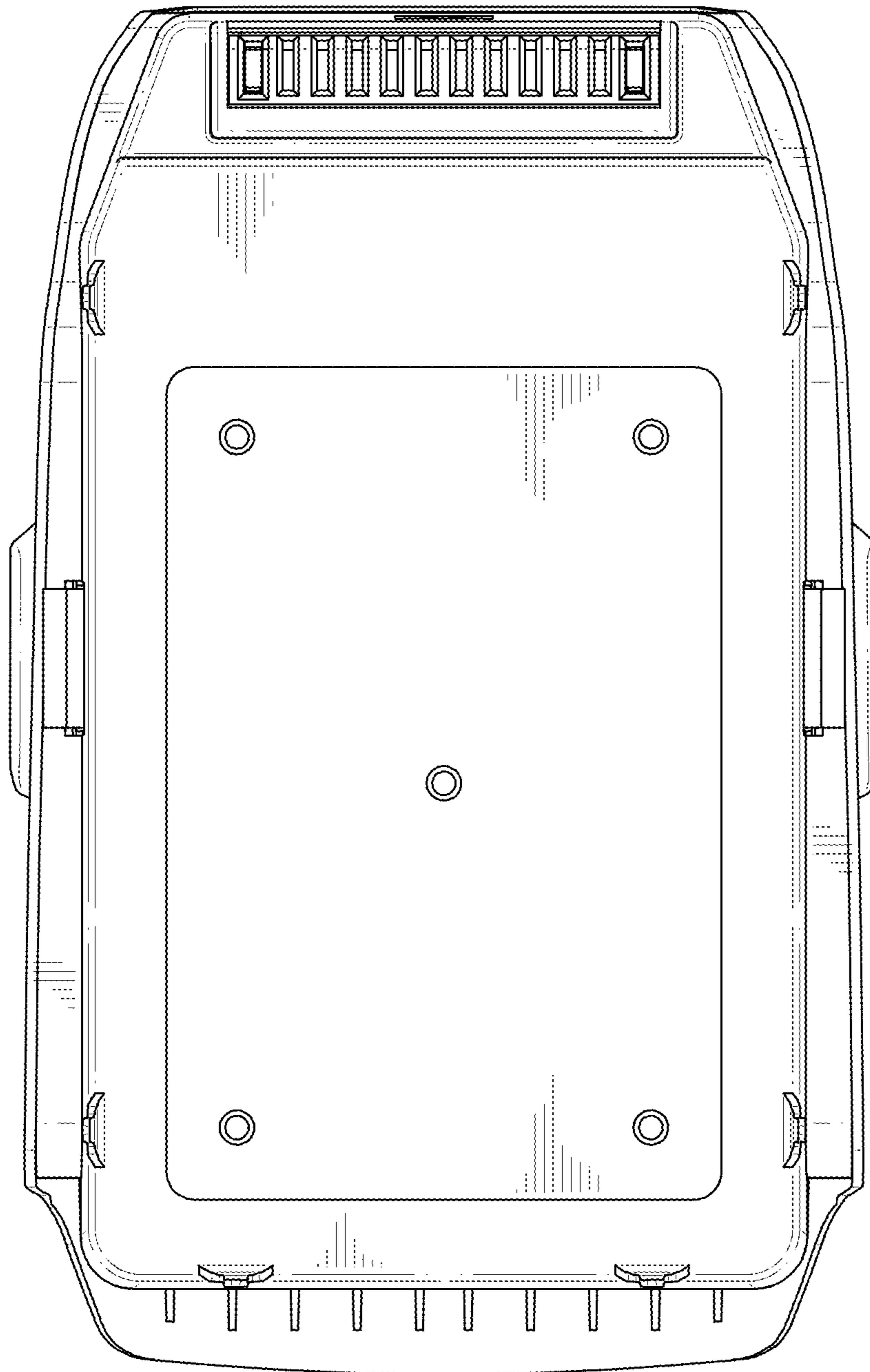


FIG. 7



**FIG. 8**