



US00D921573S

(12) **United States Design Patent**  
**Wares et al.**

(10) **Patent No.:** **US D921,573 S**  
(45) **Date of Patent:** **\*\* Jun. 8, 2021**

(54) **PHOTOVOLTAIC PANEL SYSTEM**

(71) Applicant: **SunPower Corporation**, San Jose, CA (US)

(72) Inventors: **Brian Wares**, Sacramento, CA (US);  
**David C. Okawa**, Belmont, CA (US);  
**Tamir Lance**, Los Gatos, CA (US)

(73) Assignee: **SunPower Corporation**, San Jose, CA (US)

(\*\*) Term: **15 Years**

(21) Appl. No.: **29/653,581**

(22) Filed: **Jun. 15, 2018**

(51) **LOC (13) Cl.** ..... **13-02**

(52) **U.S. Cl.**  
USPC ..... **D13/102**

(58) **Field of Classification Search**  
USPC ..... D13/102, 101, 107, 184, 199; D25/56,  
D25/61, 68, 134; 52/173.3; 126/569,  
126/571, 600, 621, 623, 680, 906;  
136/243-246, 251; 248/49, 346.01,  
248/346.02  
CPC ..... F24J 2/526; F24J 2/5233; F24J 2/5239;  
F24J 2/5245; F24J 2/5254; F24J 2/5256;  
F24J 2/5264; F24J 2002/4663; F24J  
2002/5216; F24J 2002/5292; H02S 20/23;  
Y02E 10/47; H01L 31/05; H01L 31/18;  
H01L 31/042; H01L 31/045  
See application file for complete search history.

(56) **References Cited**

**U.S. PATENT DOCUMENTS**

5,520,747 A	5/1996	Marks	
D510,315 S *	10/2005	Shugar	D13/102
7,718,923 B1	5/2010	Hansen et al.	
D627,717 S *	11/2010	Munoz	D13/102
D679,650 S *	4/2013	Farris, III	D13/102
D712,344 S *	9/2014	Ilzhoefer	D13/102

8,895,835 B2 11/2014 Chaney  
D749,502 S \* 2/2016 West ..... H02S 20/00  
D13/102  
D765,591 S \* 9/2016 West ..... D13/102  
(Continued)

**OTHER PUBLICATIONS**

Non-Final Office Action from U.S. Appl. No. 16/010,231 dated Jun. 27, 2019, 9 pgs.

*Primary Examiner* — Derrick E Holland  
(74) *Attorney, Agent, or Firm* — Schwabe, Williamson & Wyatt, P.C.

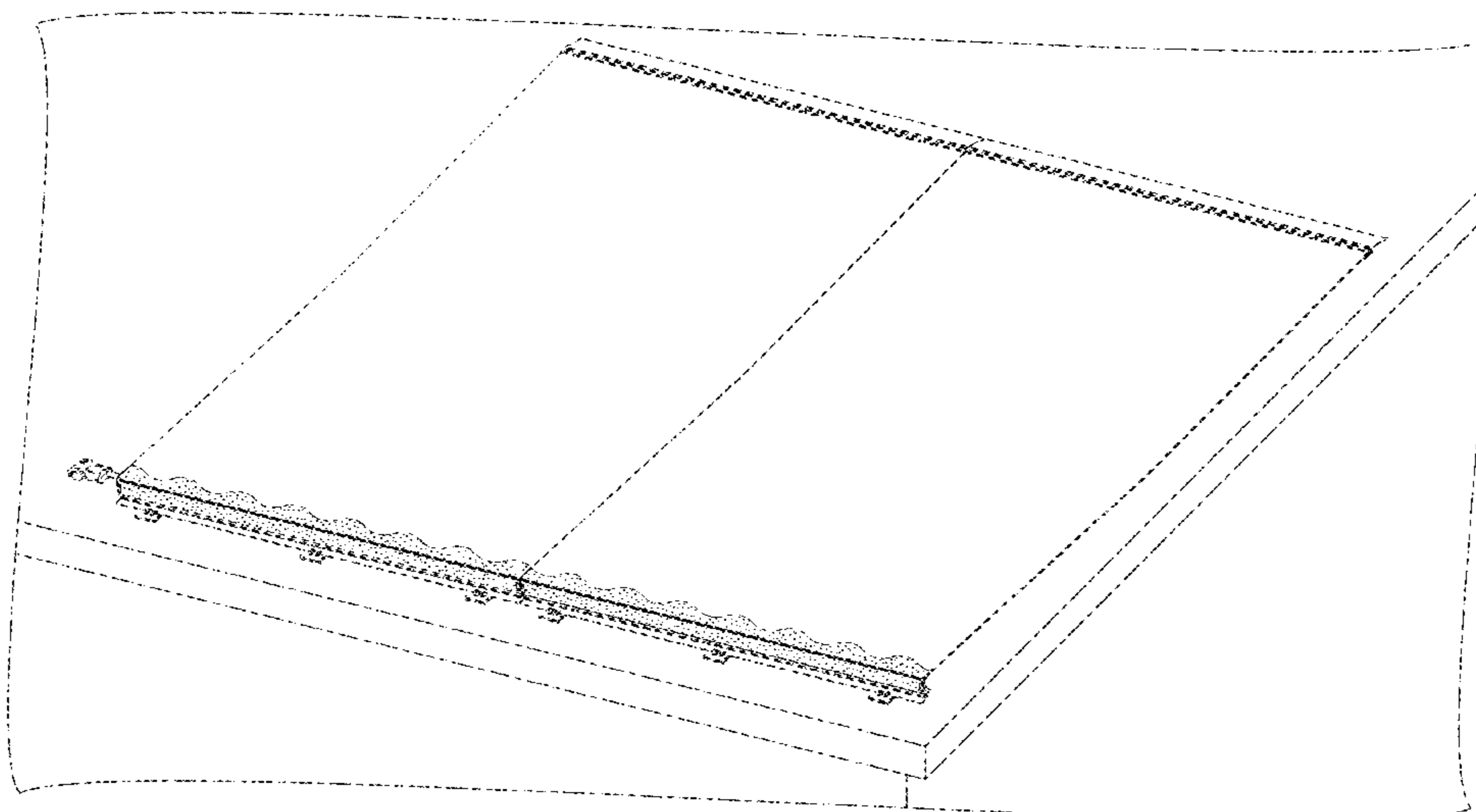
(57) **CLAIM**

We claim the ornamental design for a photovoltaic panel system, as shown and described.

**DESCRIPTION**

FIG. 1 is a perspective view of a photovoltaic panel system showing our new design;  
FIG. 2 is a front view thereof;  
FIG. 3 is a rear view thereof;  
FIG. 4 is a top view thereof;  
FIG. 5 is a bottom view thereof;  
FIG. 6 is a left side view thereof;  
FIG. 7 is a right side view thereof;  
FIG. 8 is a perspective view thereof, shown in environmental use;  
FIG. 9 is an expanded view of the respective region marked in FIG. 1;  
FIG. 10 is an expanded view of the respective region marked in FIG. 1; and,  
FIG. 11 is an expanded view of the respective region marked in FIG. 1.  
The dash-dot-dash broken lines immediately adjacent to the shaded area define the bounds of the claim design and form no part thereof. The remainder of the broken lines are provided for environmental purposes only and form no part of the claimed design.

**1 Claim, 9 Drawing Sheets**



(56)

**References Cited**

U.S. PATENT DOCUMENTS

9,512,618 B2 12/2016 Lang et al.  
D780,109 S \* 2/2017 Wiedeman ..... D13/102  
D792,342 S \* 7/2017 Purigraski ..... F24S 25/15  
D13/102  
D814,399 S \* 4/2018 Atchley ..... H02S 20/23  
D13/102  
2003/0127125 A1 7/2003 Yeh  
2009/0320898 A1 12/2009 Gumm  
2010/0000165 A1 1/2010 Koller  
2010/0108120 A1 5/2010 Lin et al.  
2010/0156339 A1 6/2010 Hoffman  
2011/0203639 A1 8/2011 Elliott et al.  
2011/0253193 A1 10/2011 Korman et al.  
2011/0277748 A1 11/2011 Chu  
2014/0000186 A1 1/2014 Yen  
2015/0013750 A1\* 1/2015 Meppelink ..... F24S 30/425  
136/245  
2015/0075583 A1 3/2015 Francis et al.  
2015/0214404 A1\* 7/2015 Snidow ..... H02S 30/20  
136/245  
2015/0326172 A1 11/2015 Koehler

\* cited by examiner

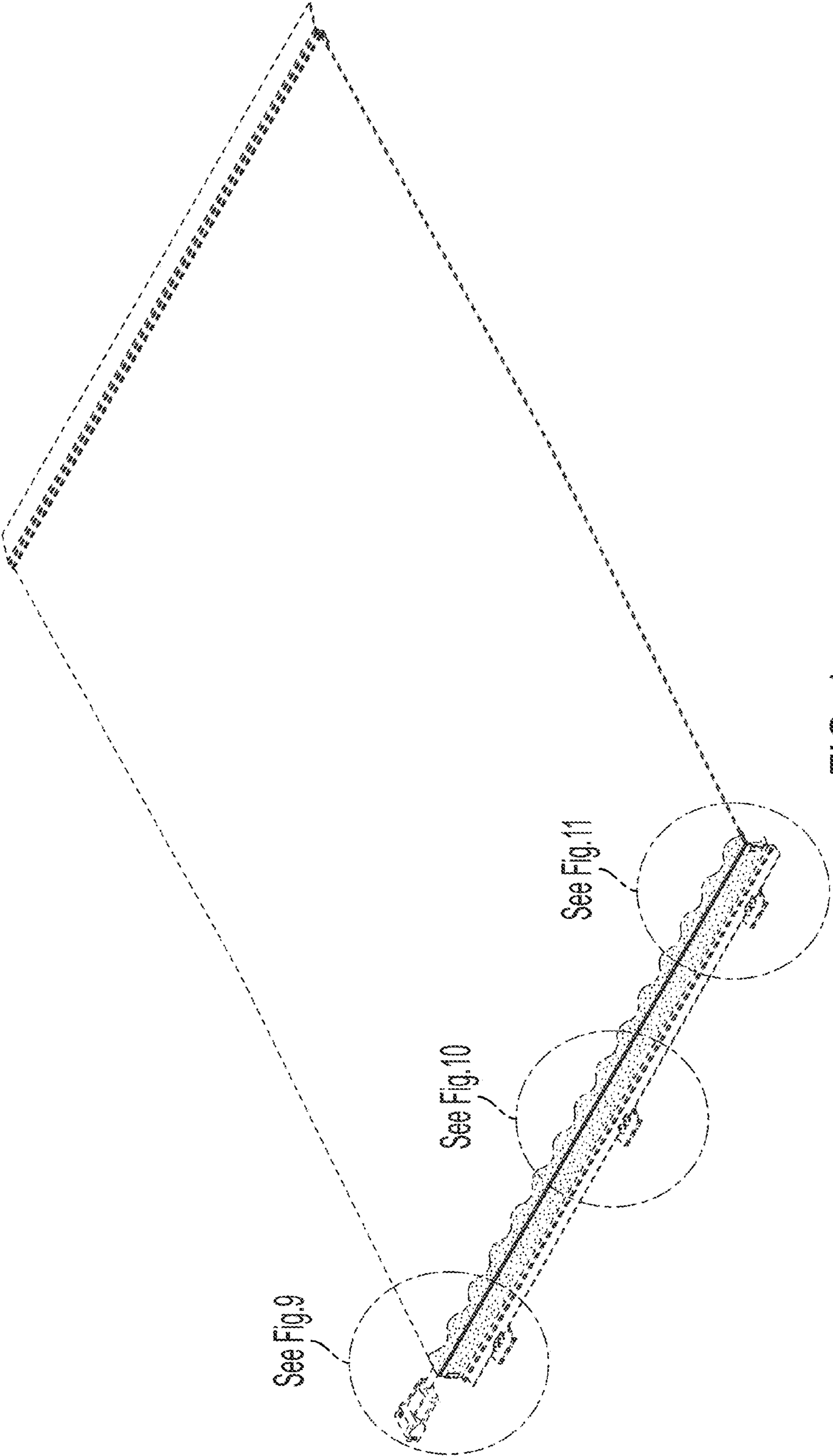


FIG. 1

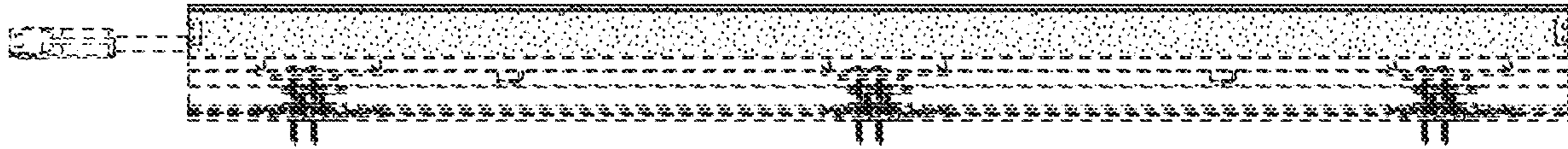


FIG. 2

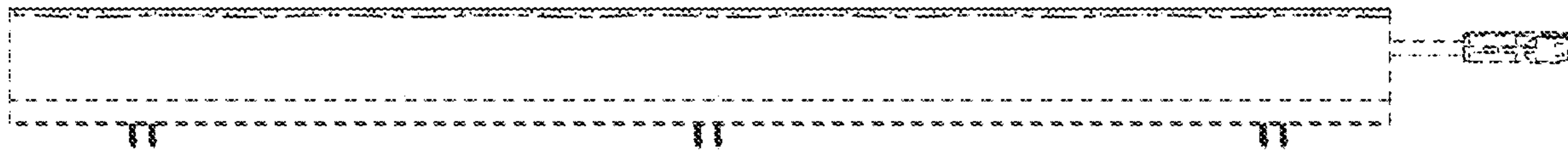


FIG. 3

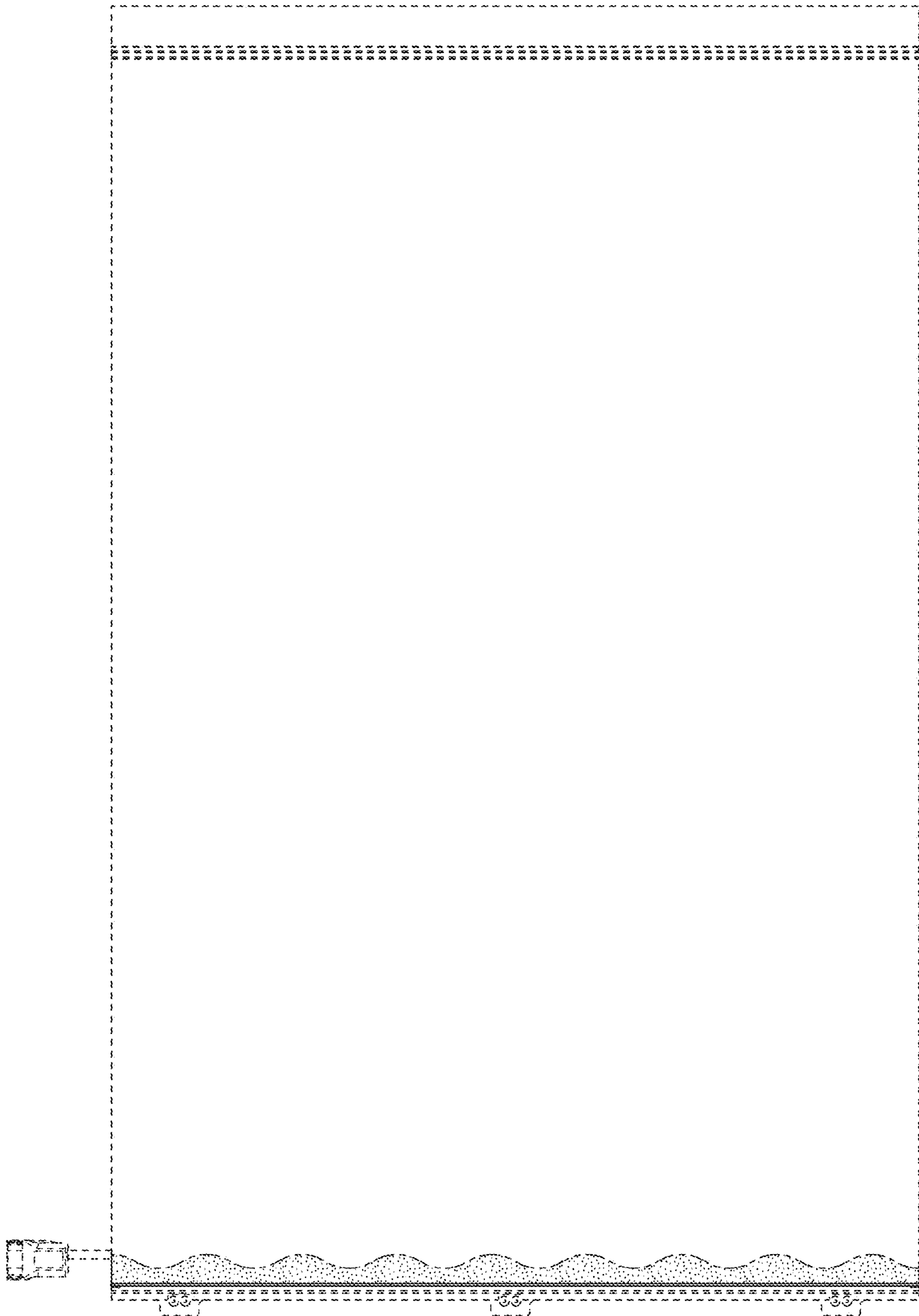


FIG. 4

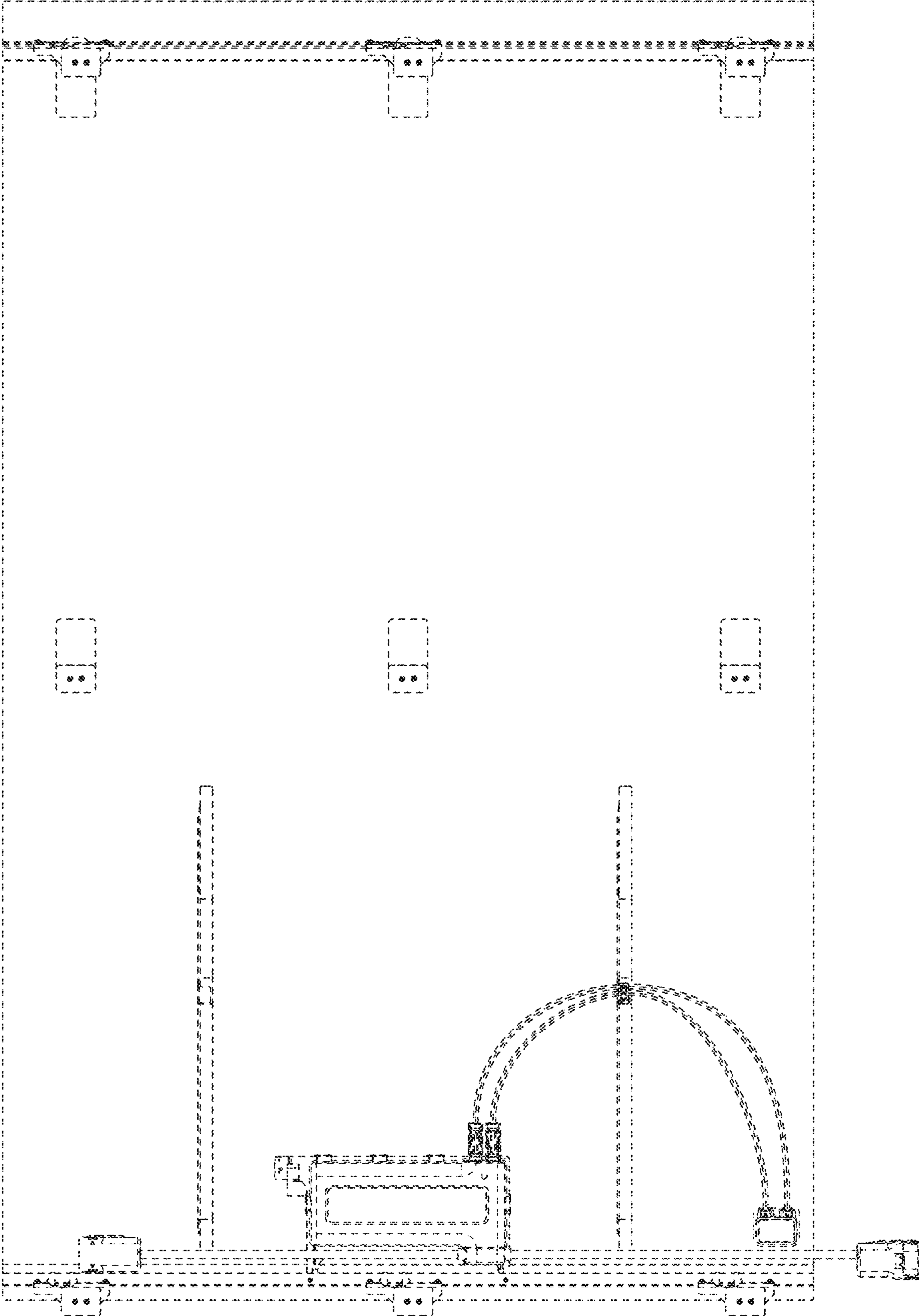


FIG. 5

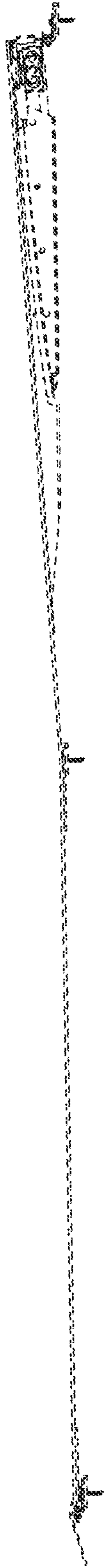


FIG. 6

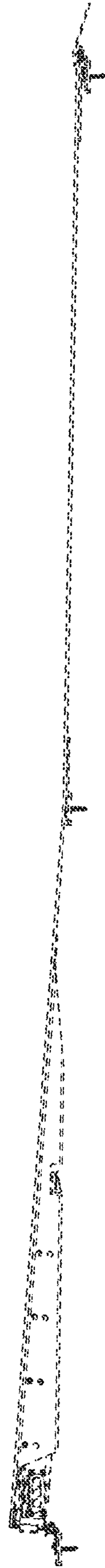


FIG. 7

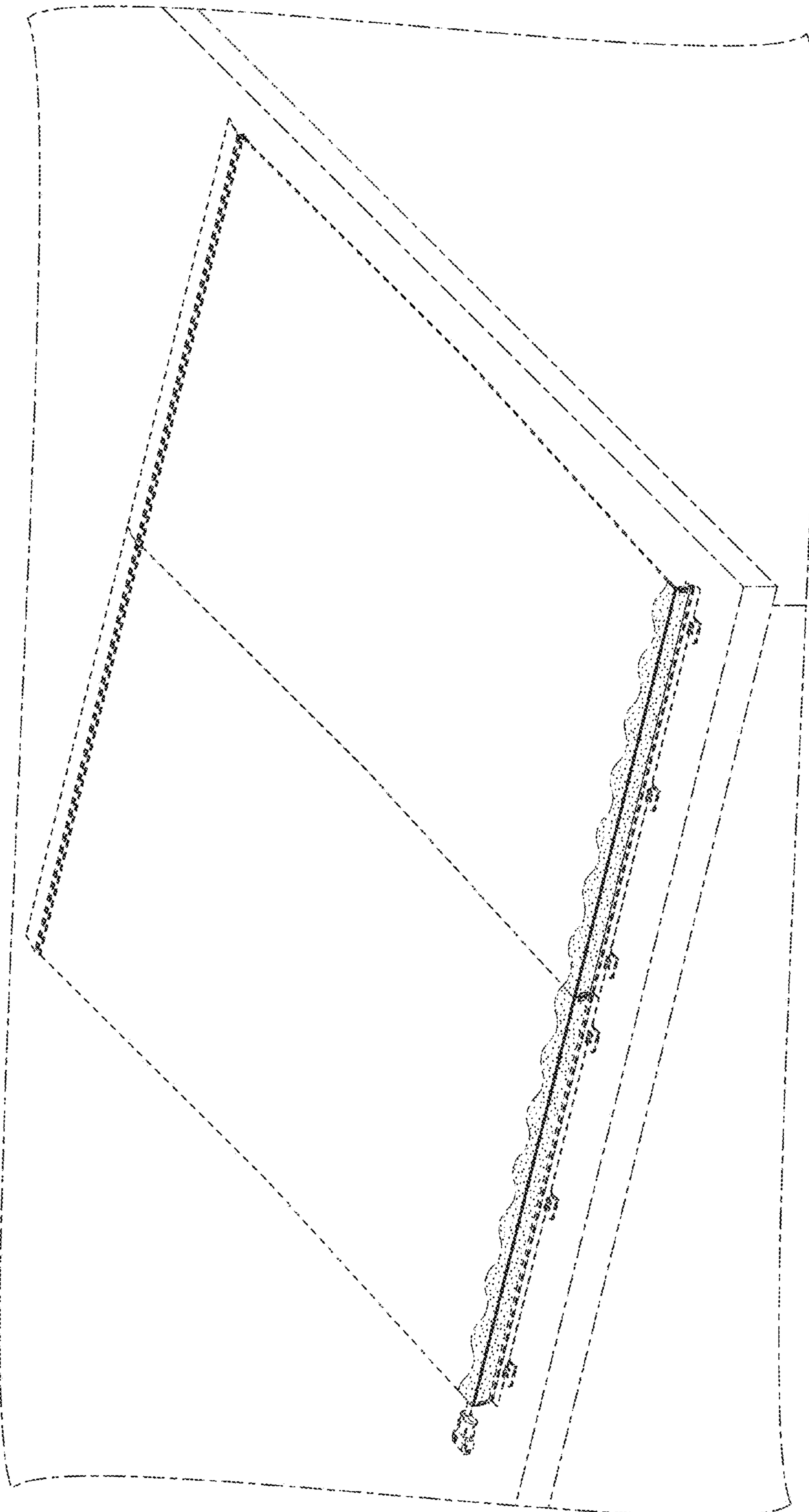


FIG. 8



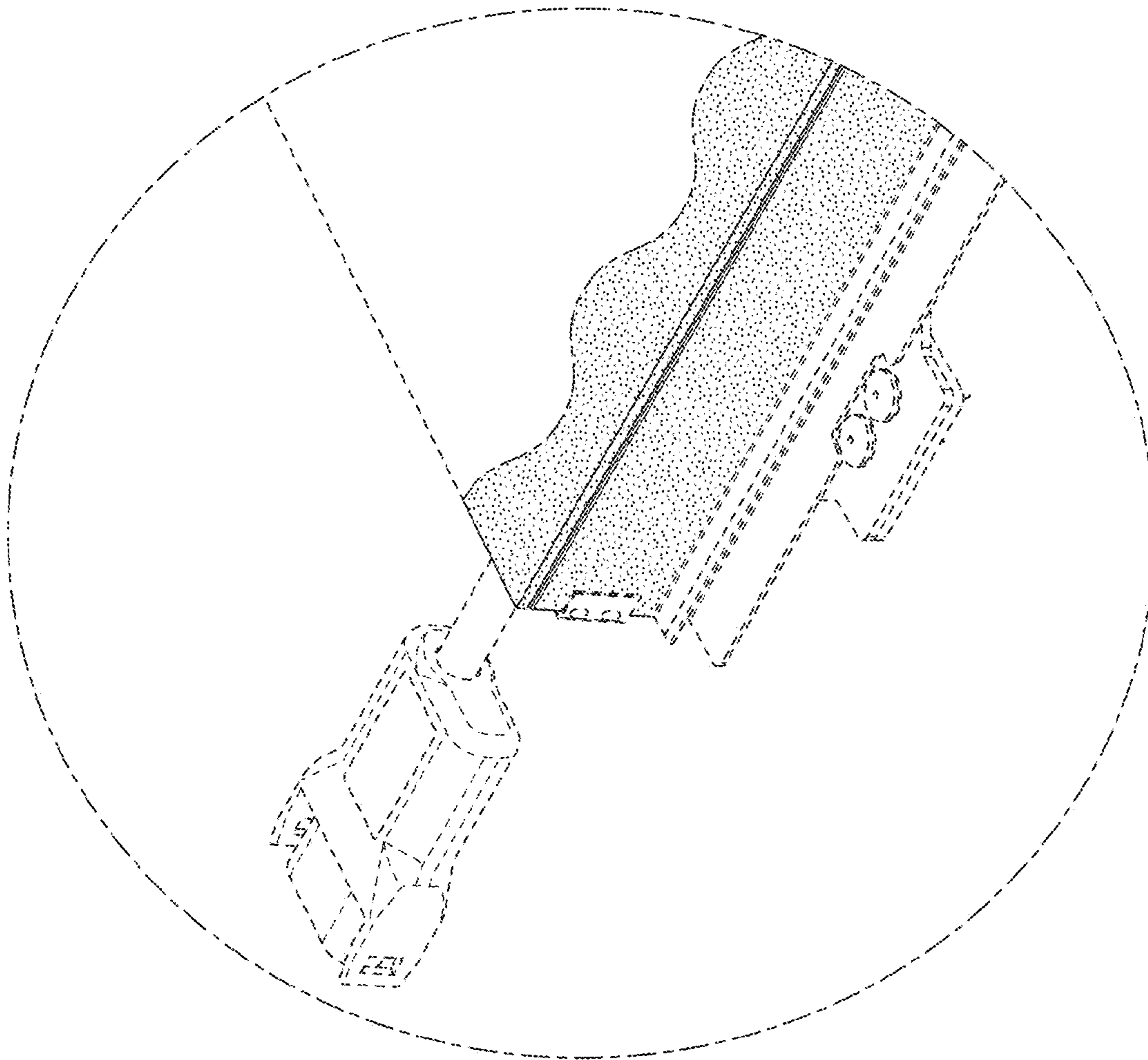


FIG. 9

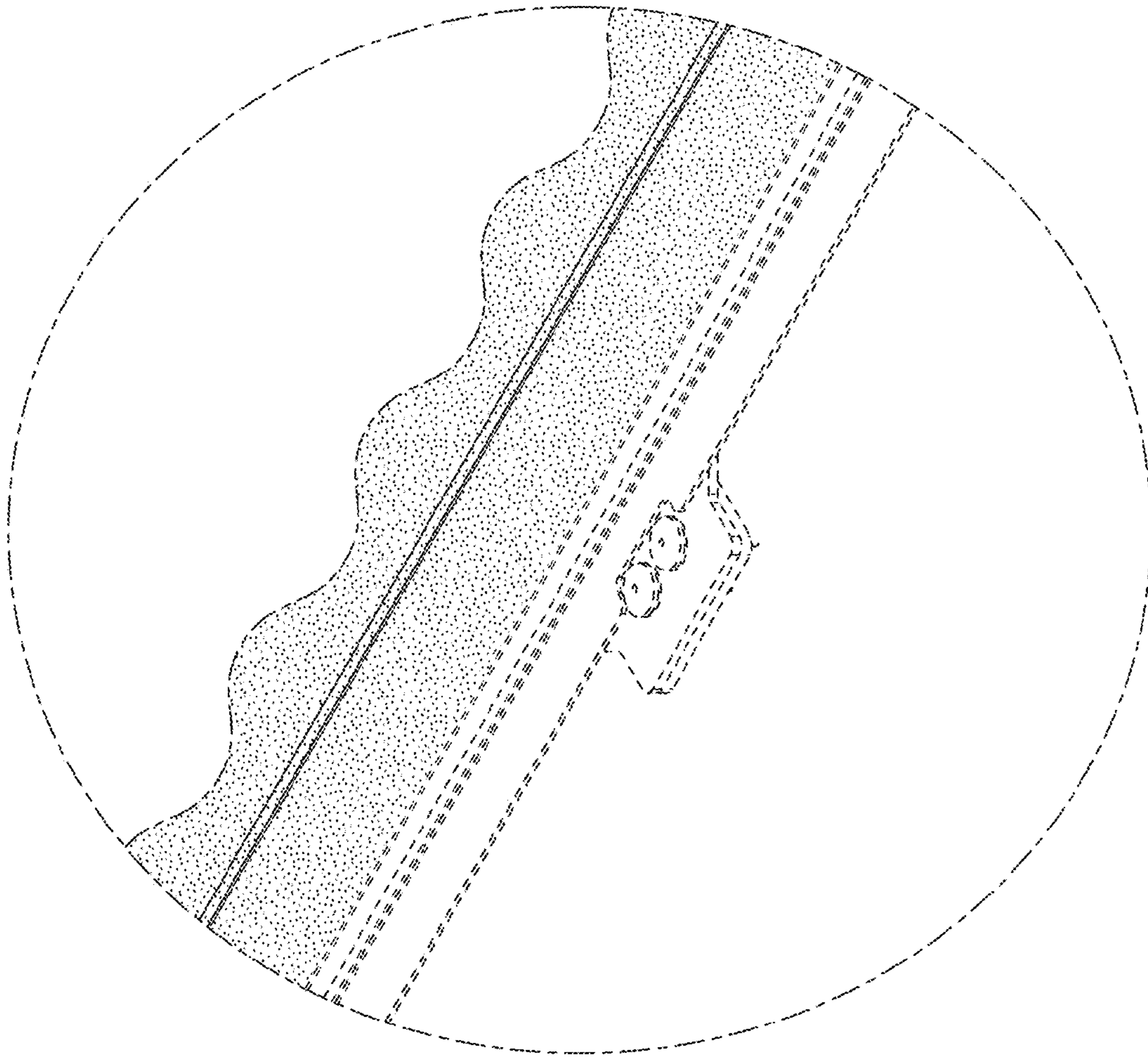


FIG. 10

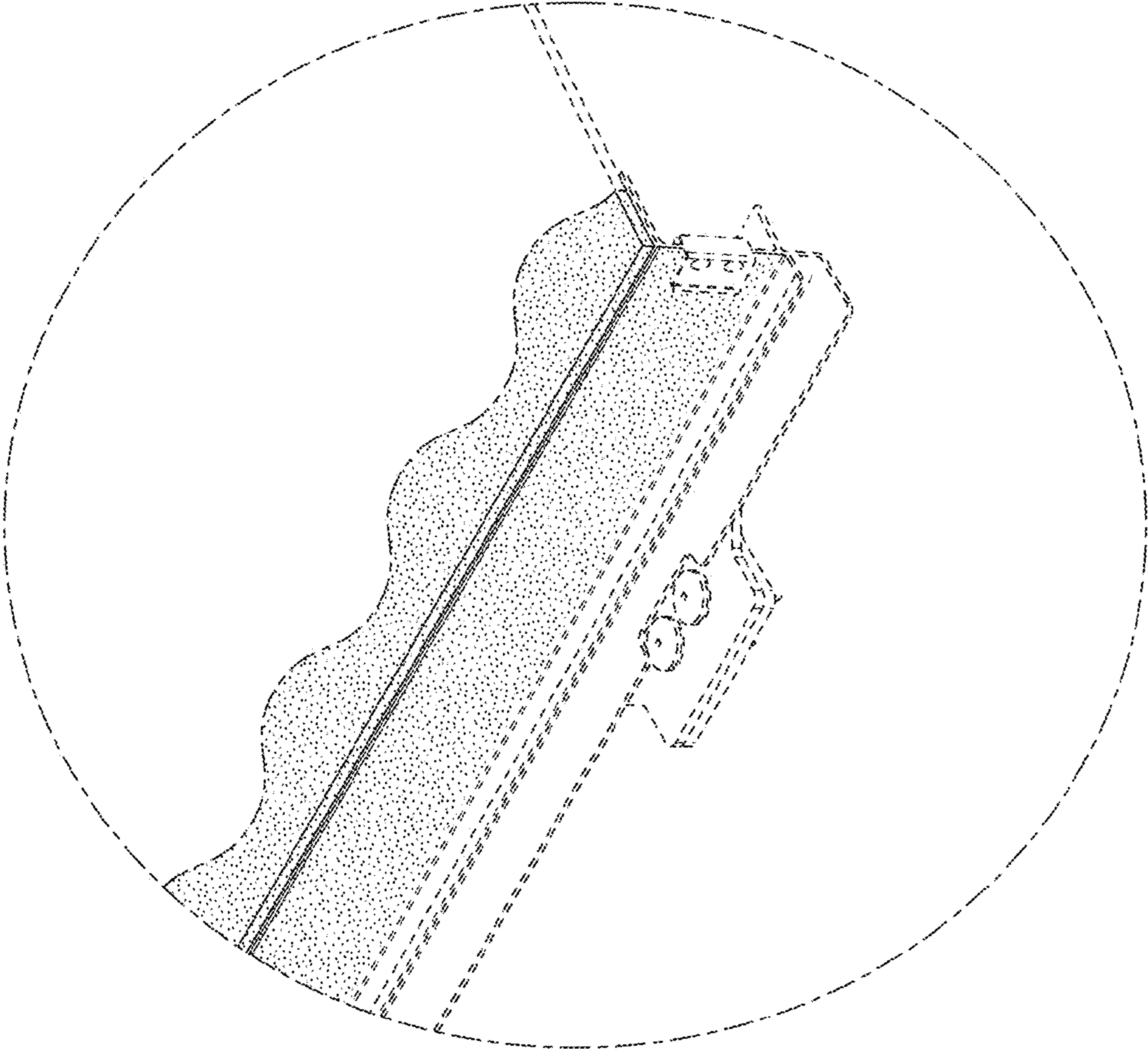


FIG. 11