



US00D921572S

(12) **United States Design Patent**
Zhang

(10) **Patent No.:** **US D921,572 S**
(45) **Date of Patent:** **** Jun. 8, 2021**

(54) **TIRE**
(71) Applicant: **Guangzhou Nedong Information Technology Co., Ltd.**, Guangdong (CN)

(72) Inventor: **Chunru Zhang**, Guangdong (CN)

(73) Assignee: **Guangzhou Nedong Information Technology Co., Ltd.**, Guangdong (CN)

(**) Term: **15 Years**

(21) Appl. No.: **29/720,348**

(22) Filed: **Jan. 13, 2020**

(51) **LOC (13) Cl.** **12-15**

(52) **U.S. Cl.**
USPC **D12/535**

(58) **Field of Classification Search**
USPC D12/534-538, 569-573
CPC B60C 2200/00; B60C 2200/10; B60C 2200/12
See application file for complete search history.

(56) **References Cited**

U.S. PATENT DOCUMENTS

D57,363 S * 3/1921 Lambert D12/537
D825,443 S * 8/2018 Huang D12/535

D861,579 S * 10/2019 Ichiryu D12/570
D861,580 S * 10/2019 Ichiryu D12/570
D863,208 S * 10/2019 Ichiryu D12/570
D863,209 S * 10/2019 Ichiryu D12/570

* cited by examiner

Primary Examiner — George D. Kirschbaum
Assistant Examiner — Joseph J Kukella
(74) *Attorney, Agent, or Firm* — JCIP Global Inc.

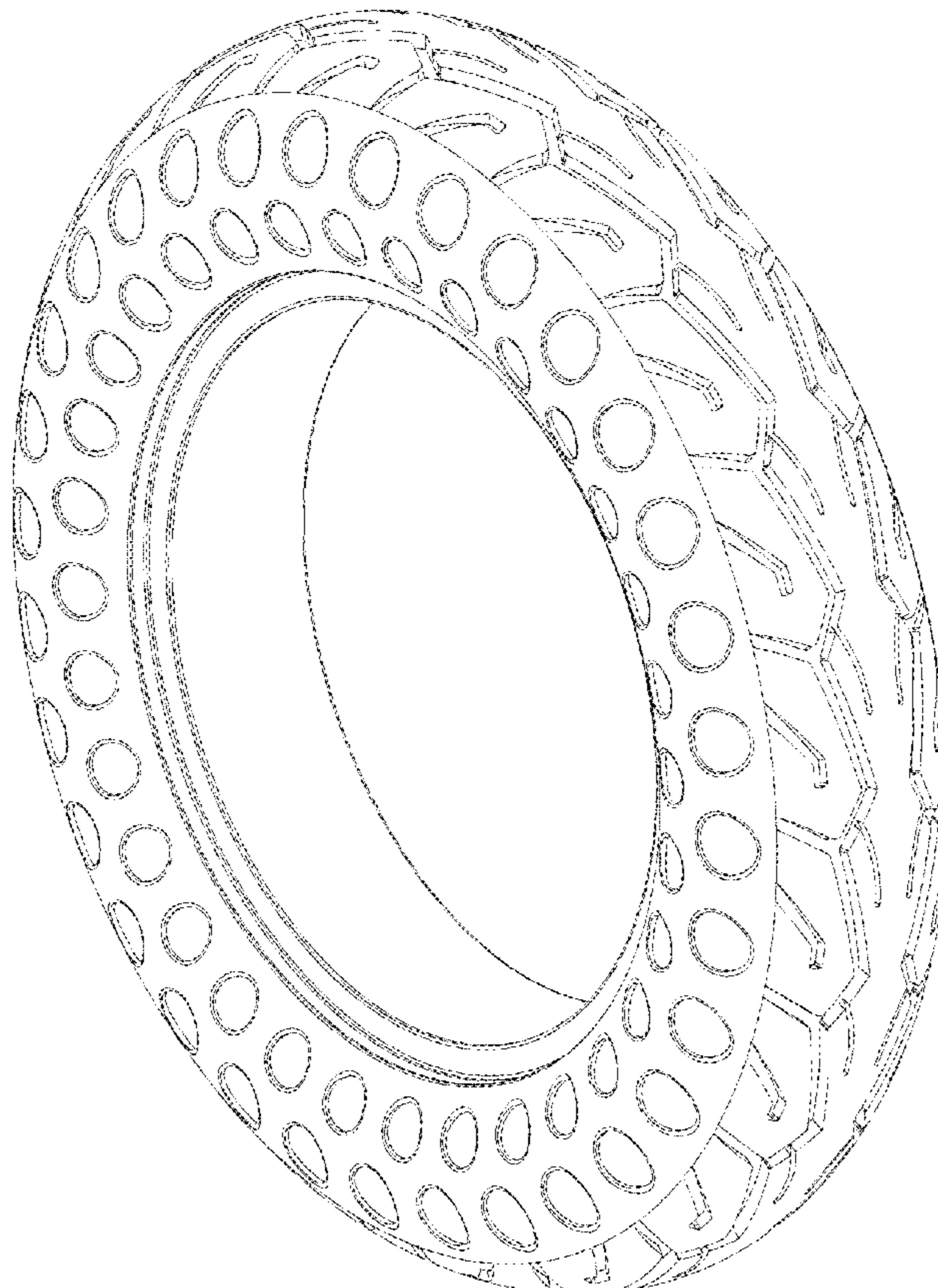
(57) **CLAIM**

The ornamental design for a tire, as shown.

DESCRIPTION

FIG. 1 is a perspective view of a tire showing my new design;
FIG. 2 is a front view thereof;
FIG. 3 is a rear view thereof;
FIG. 4 is a left side view thereof;
FIG. 5 is a right side view thereof;
FIG. 6 is a top view thereof;
FIG. 7 is a bottom view thereof;
FIG. 8 is a cross-sectional view taken along line 8-8 in FIG. 2; and,
FIG. 9 is a cross-sectional view taken along line 9-9 in FIG. 2.

1 Claim, 7 Drawing Sheets



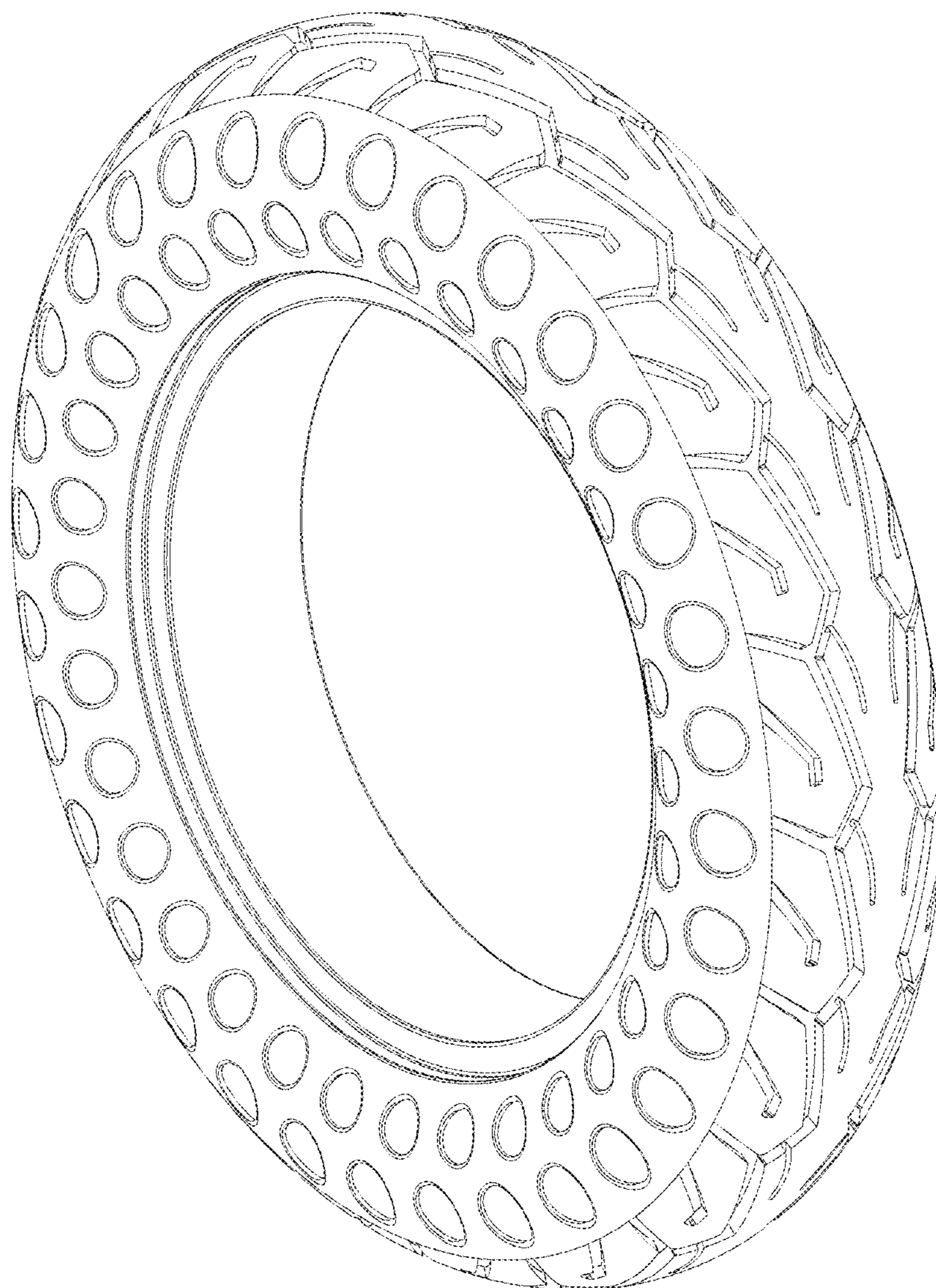


FIG. 1

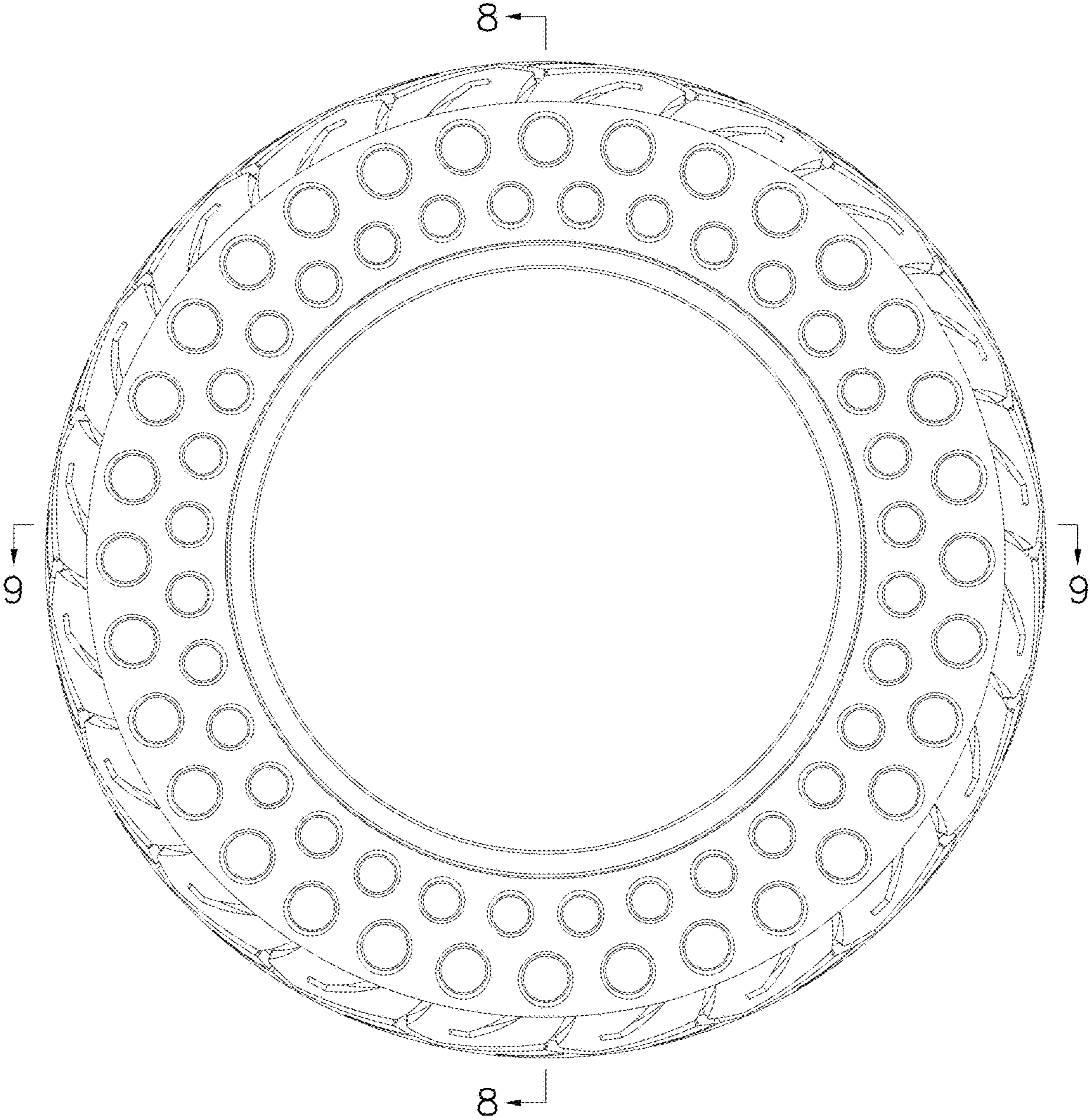


FIG. 2

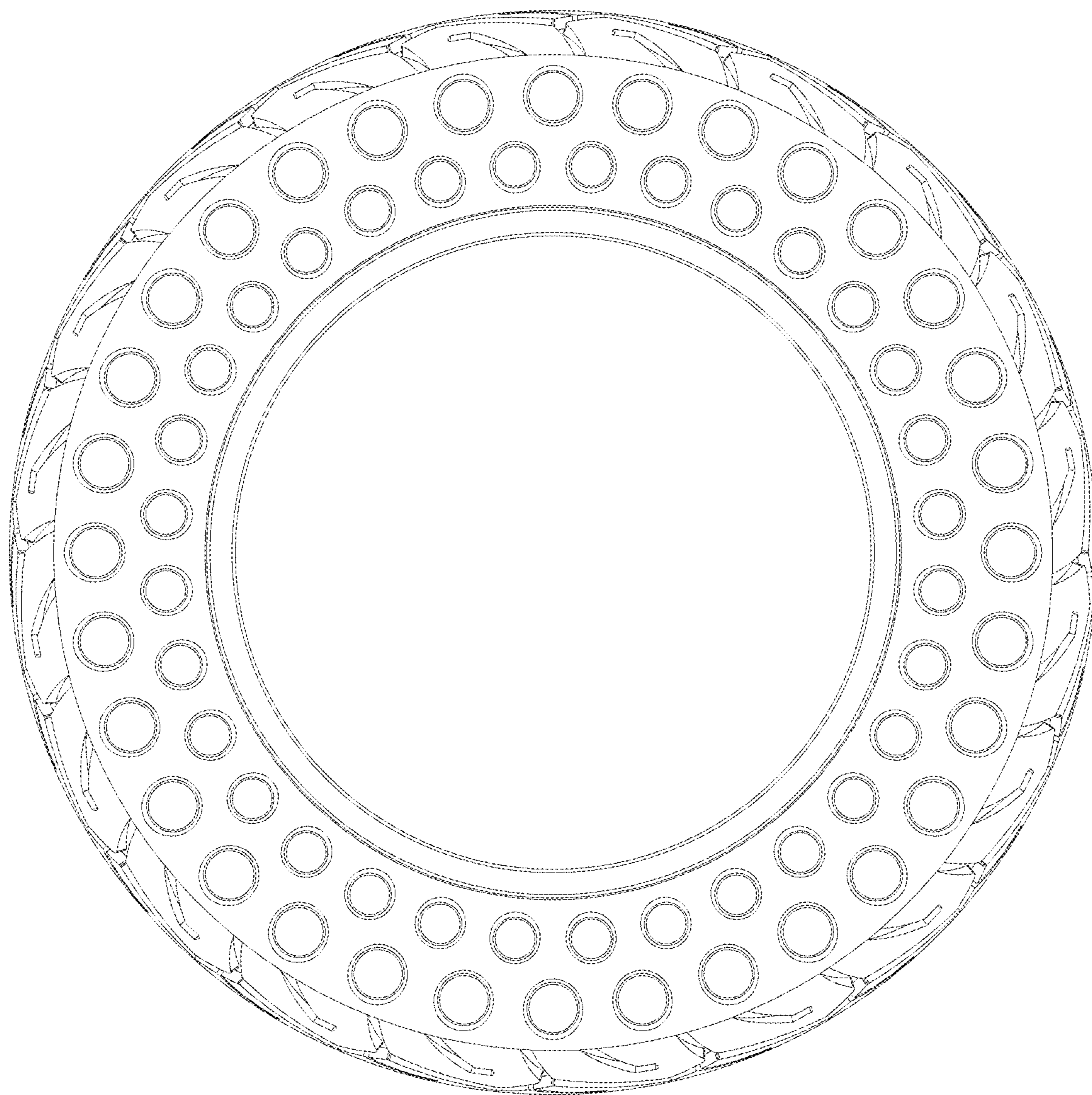


FIG. 3

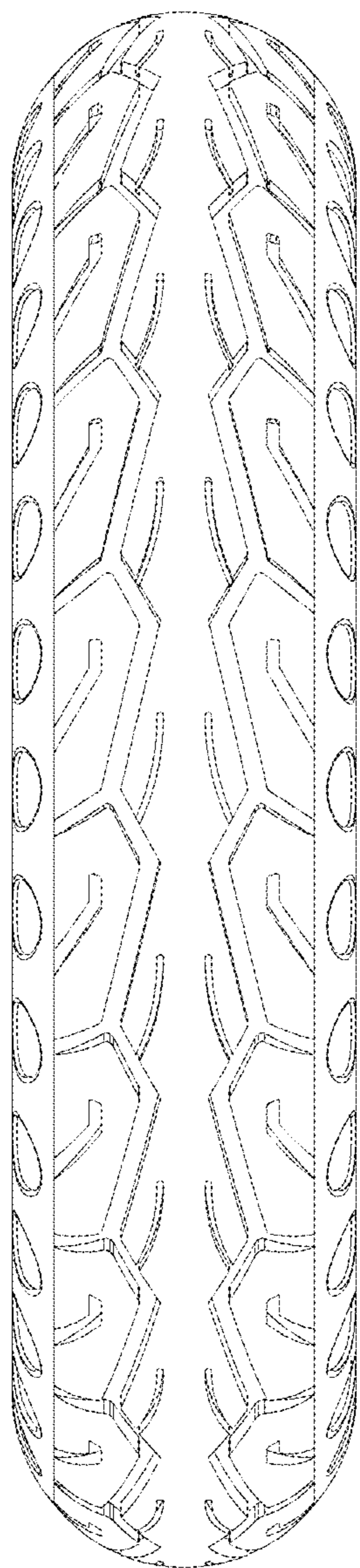


FIG. 4

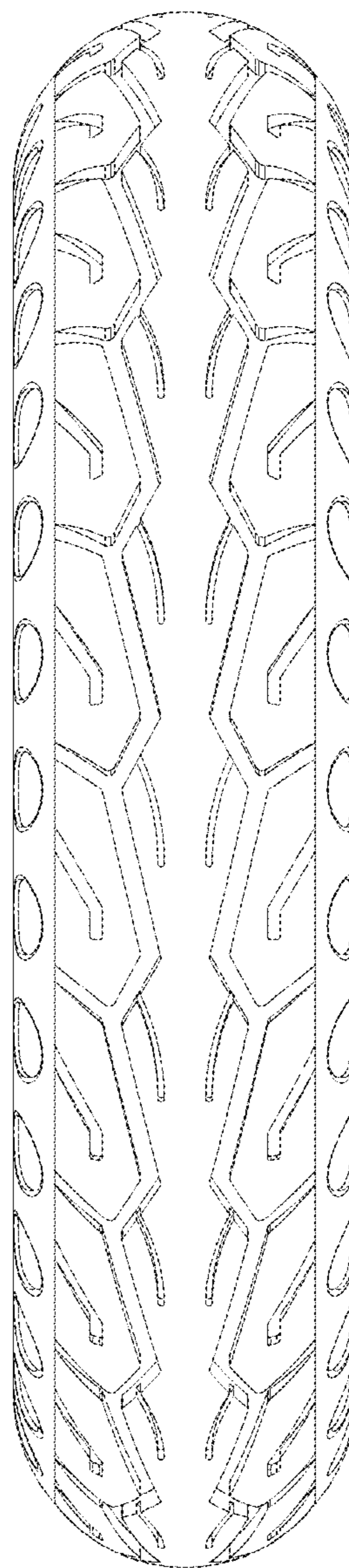


FIG. 5

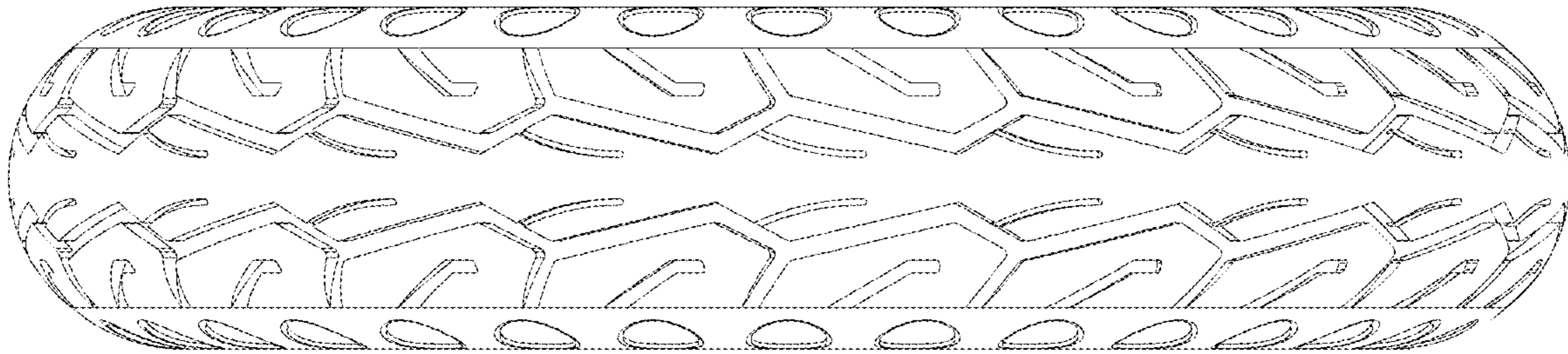


FIG. 6

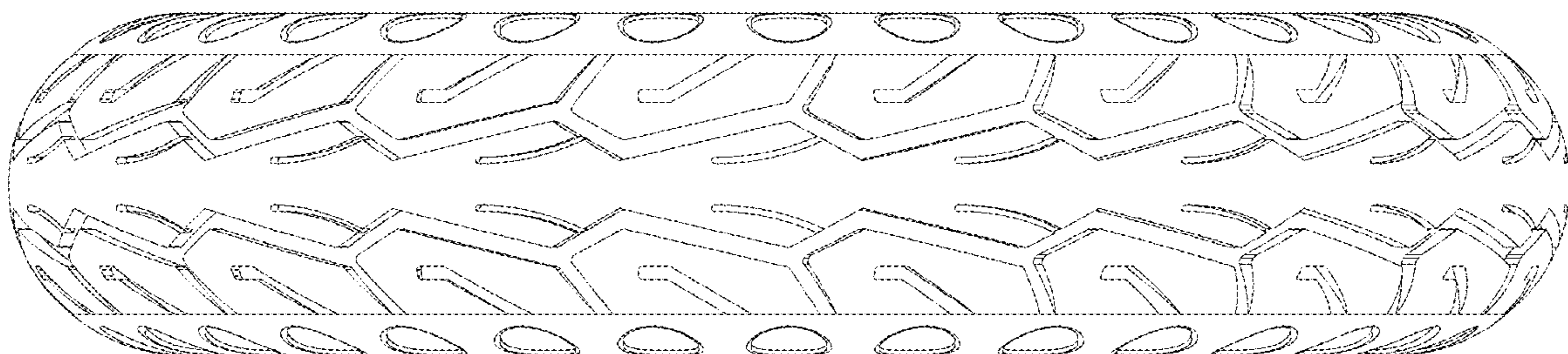


FIG. 7

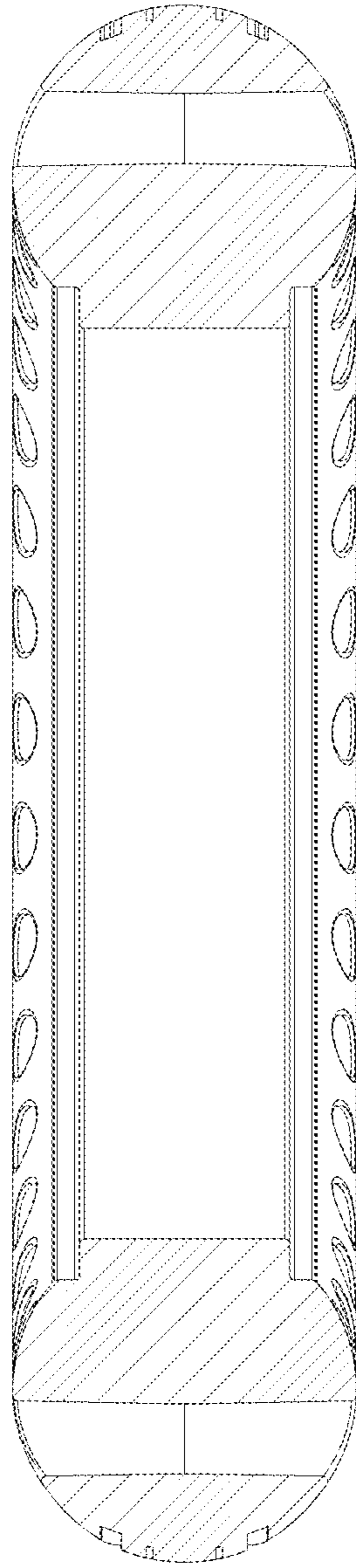


FIG. 8

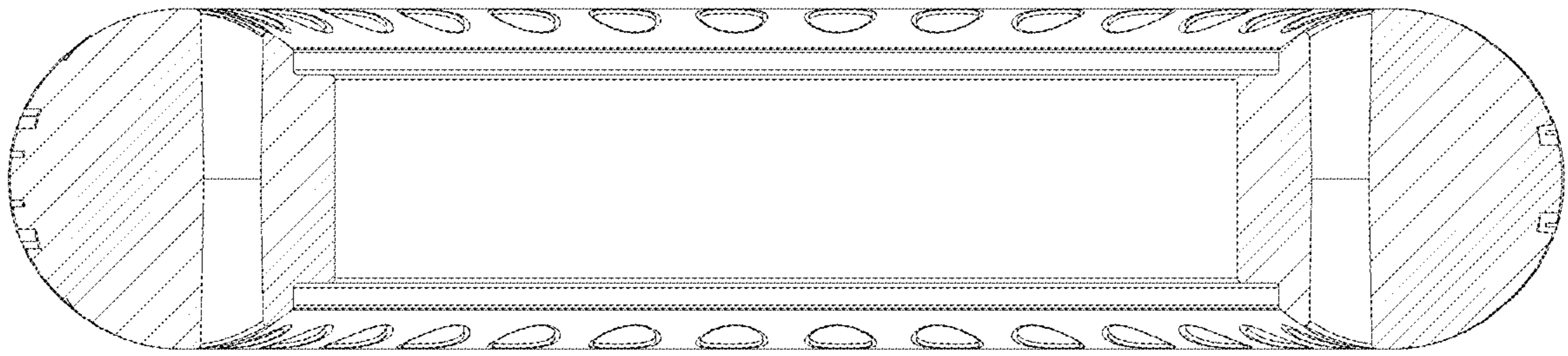


FIG. 9