



US00D921568S

(12) **United States Design Patent**  
**Xia**

(10) **Patent No.:** **US D921,568 S**

(45) **Date of Patent:** **\*\* Jun. 8, 2021**

(54) **VEHICLE ROOF RACK**

(71) Applicant: **Foshan Bestwyll Auto Accessories Co., Ltd, Foshan (CN)**

(72) Inventor: **Yong Xia, Foshan (CN)**

(\*\*) Term: **15 Years**

(21) Appl. No.: **29/757,491**

(22) Filed: **Nov. 6, 2020**

(30) **Foreign Application Priority Data**

Sep. 29, 2020 (CN) ..... 202030587375.9

(51) **LOC (13) Cl.** ..... **12-16**

(52) **U.S. Cl.**  
USPC ..... **D12/412**

(58) **Field of Classification Search**  
USPC ..... D12/412, 406, 413, 414, 414.1; D6/552;  
D3/304-306  
CPC ..... B60R 9/04; B60R 9/048; B60R 9/045  
See application file for complete search history.

(56) **References Cited**

**U.S. PATENT DOCUMENTS**

3,765,713	A *	10/1973	Suitt	.....	B60R 9/00 296/3
D306,990	S *	4/1990	Bott	.....	D12/412
D434,364	S *	11/2000	Bauer	.....	D12/412
D558,123	S	12/2007	Murillo		
D603,321	S *	11/2009	Kramer	.....	D12/412
D621,328	S *	8/2010	Sistare	.....	D12/222
D624,005	S *	9/2010	Winner	.....	D12/412

D772,783	S	11/2016	Schleef		
D815,012	S *	4/2018	Badillo	.....	D12/412
D874,384	S	2/2020	Salsi et al.		
D913,197	S *	3/2021	Badillo	.....	D12/412
D915,269	S *	4/2021	Badillo	.....	D12/412
2005/0082326	A1 *	4/2005	Badillo	.....	B60R 9/00 224/326
2005/0092796	A1 *	5/2005	Essig	.....	B60R 9/00 224/321
2011/0101056	A1 *	5/2011	Barkey	.....	B60R 9/058 224/321

\* cited by examiner

*Primary Examiner* — Katrina A Betton

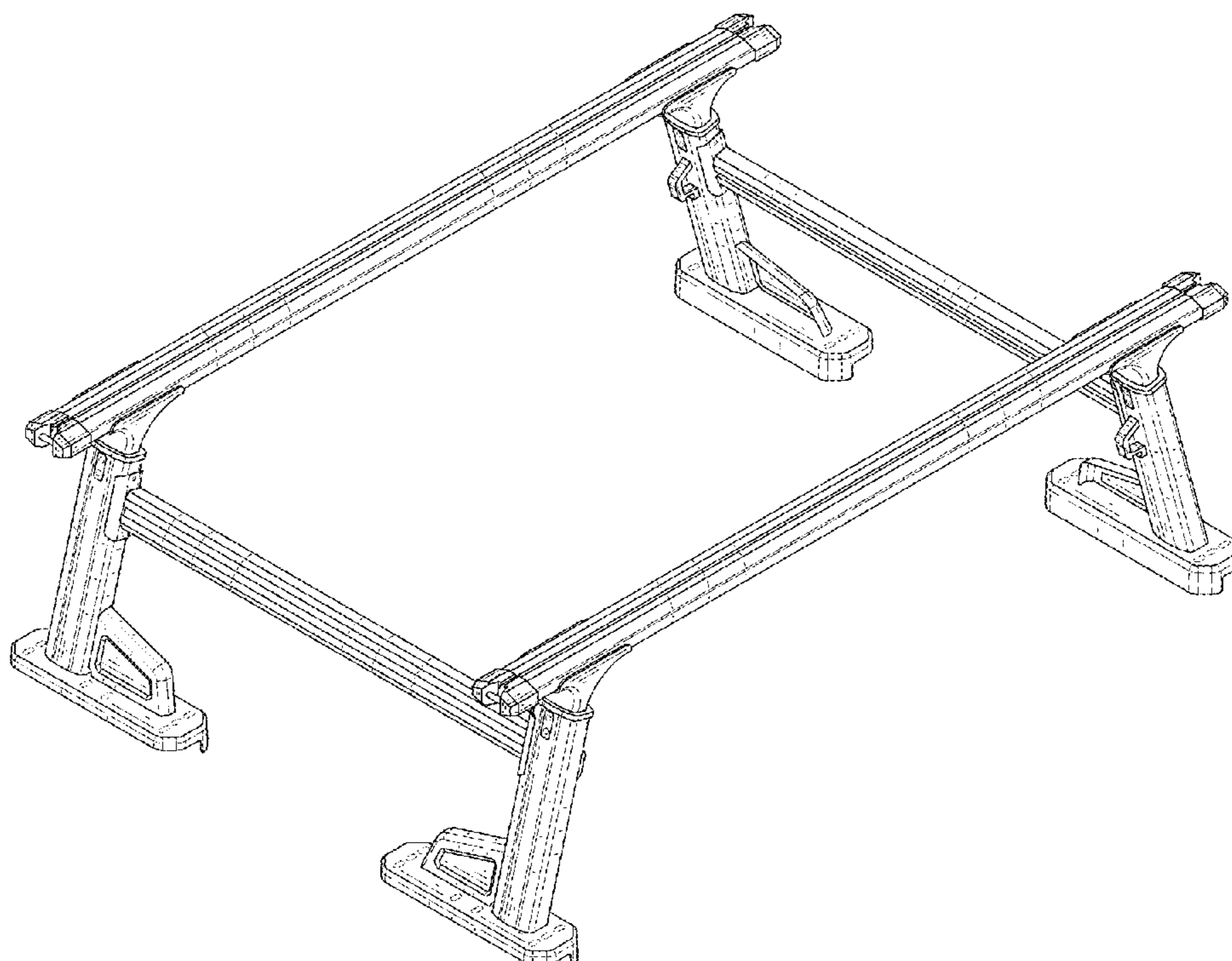
(57) **CLAIM**

The ornamental design for a vehicle roof rack, as shown and described.

**DESCRIPTION**

FIG. 1 is a first perspective view of a vehicle roof rack showing my new design;  
FIG. 2 is a second perspective view thereof;  
FIG. 3 is a front view thereof;  
FIG. 4 is a back view thereof;  
FIG. 5 is a left side view thereof;  
FIG. 6 is a right side view thereof;  
FIG. 7 is a top view thereof; and,  
FIG. 8 is a bottom view thereof.  
The broken lines shown in the drawings depict portions of the vehicle roof rack in which the design is embodied that form no part of the claimed design.

**1 Claim, 8 Drawing Sheets**



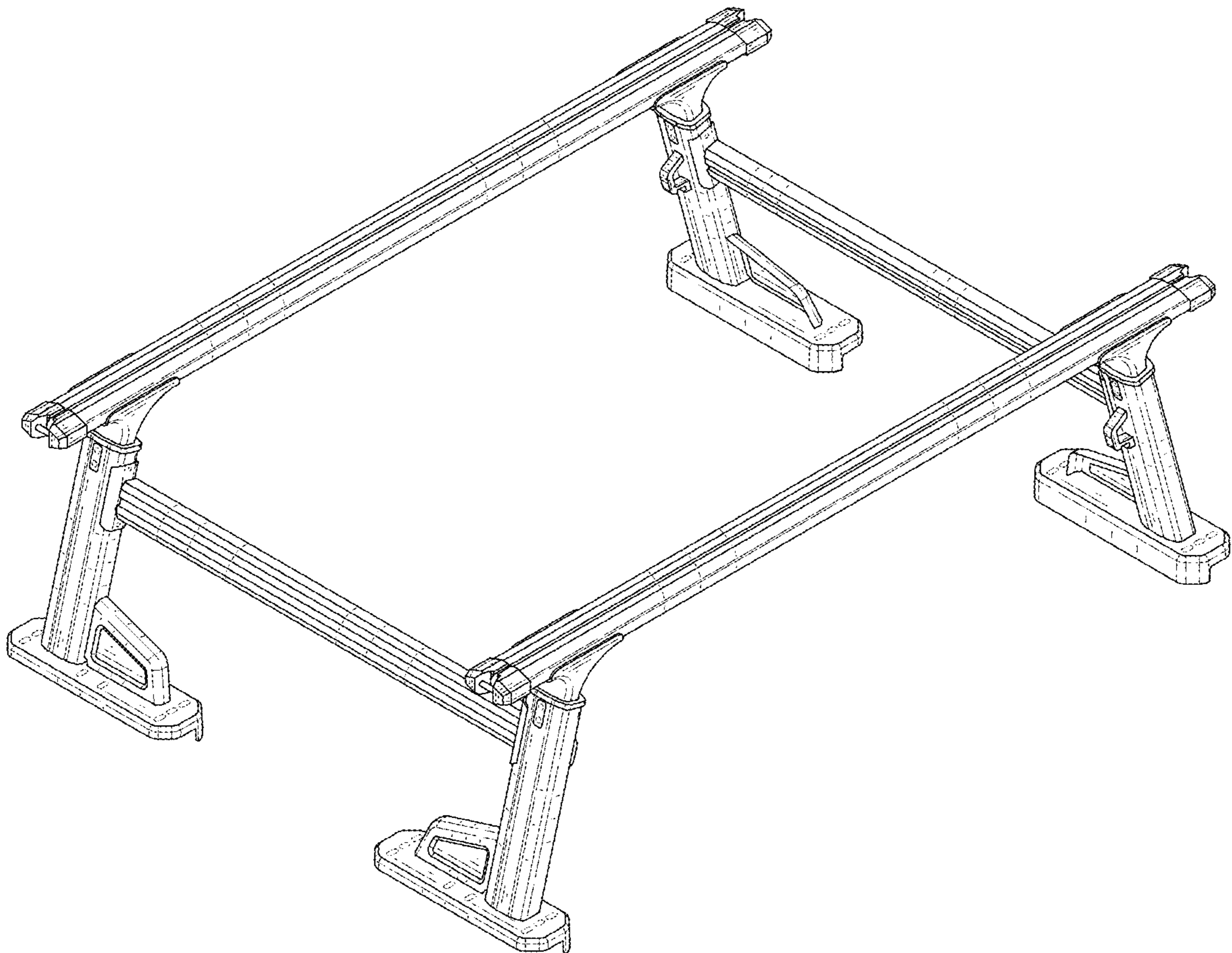


FIG. 1

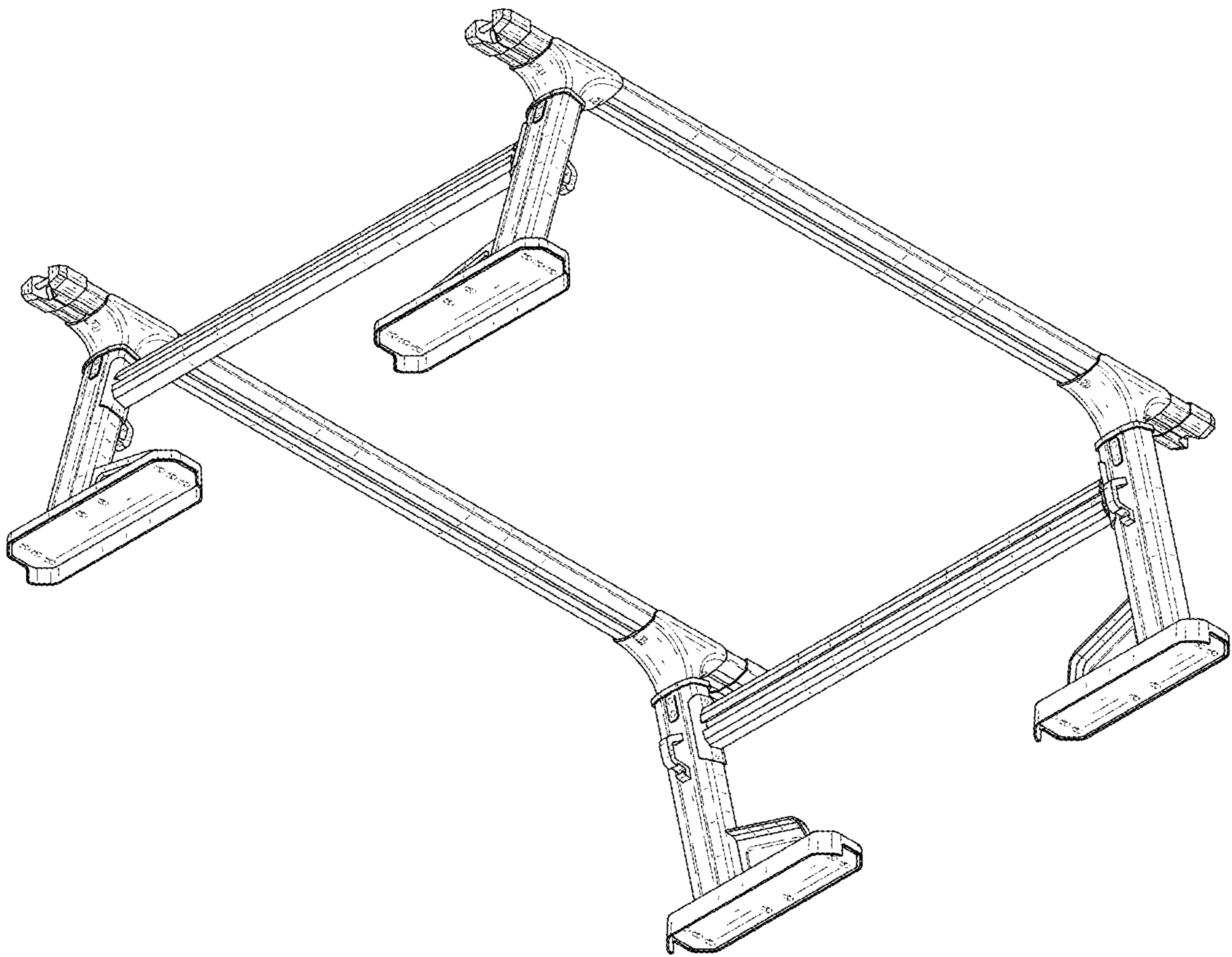


FIG. 2

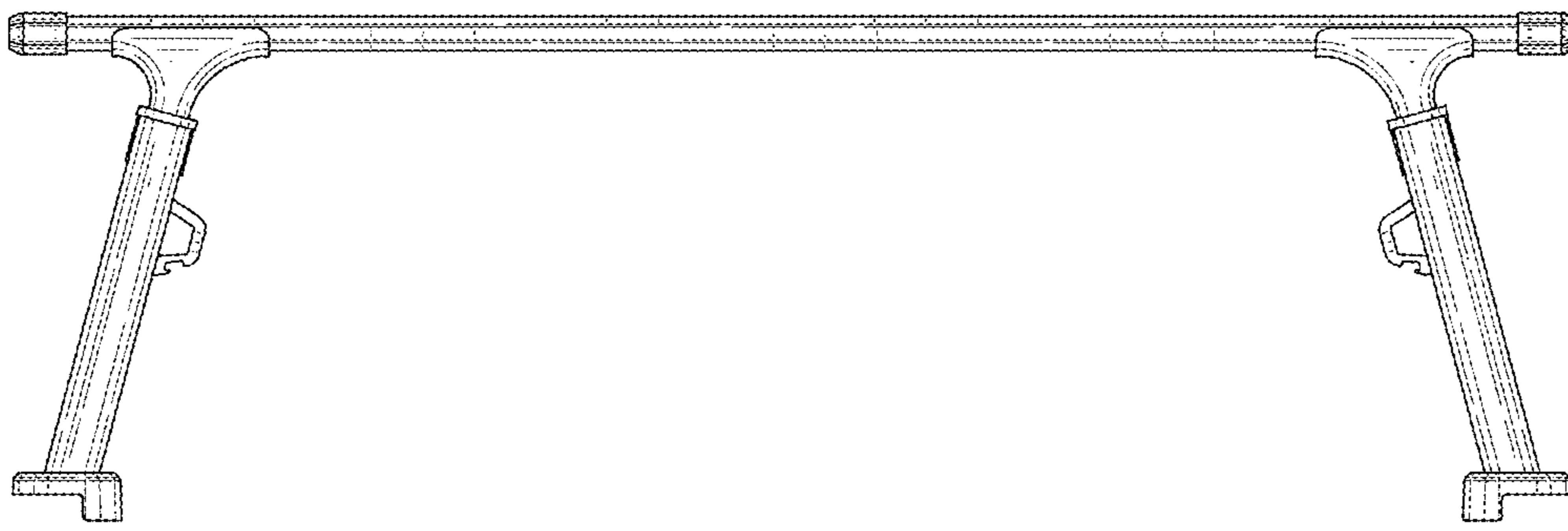


FIG. 3

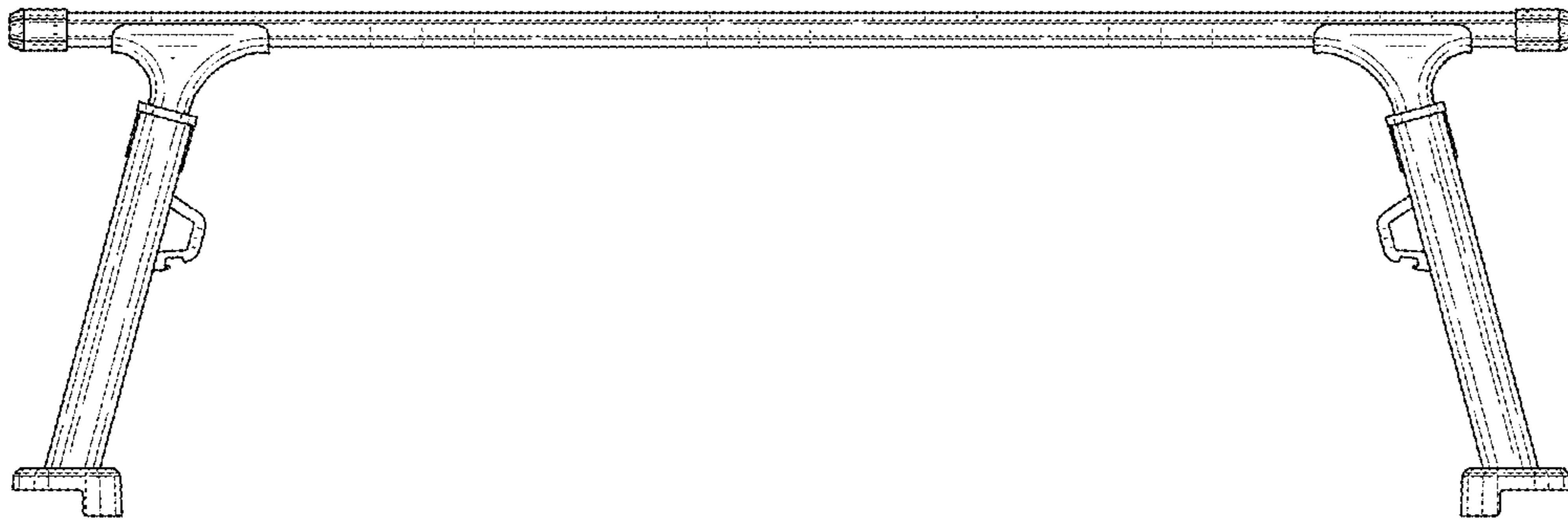


FIG. 4

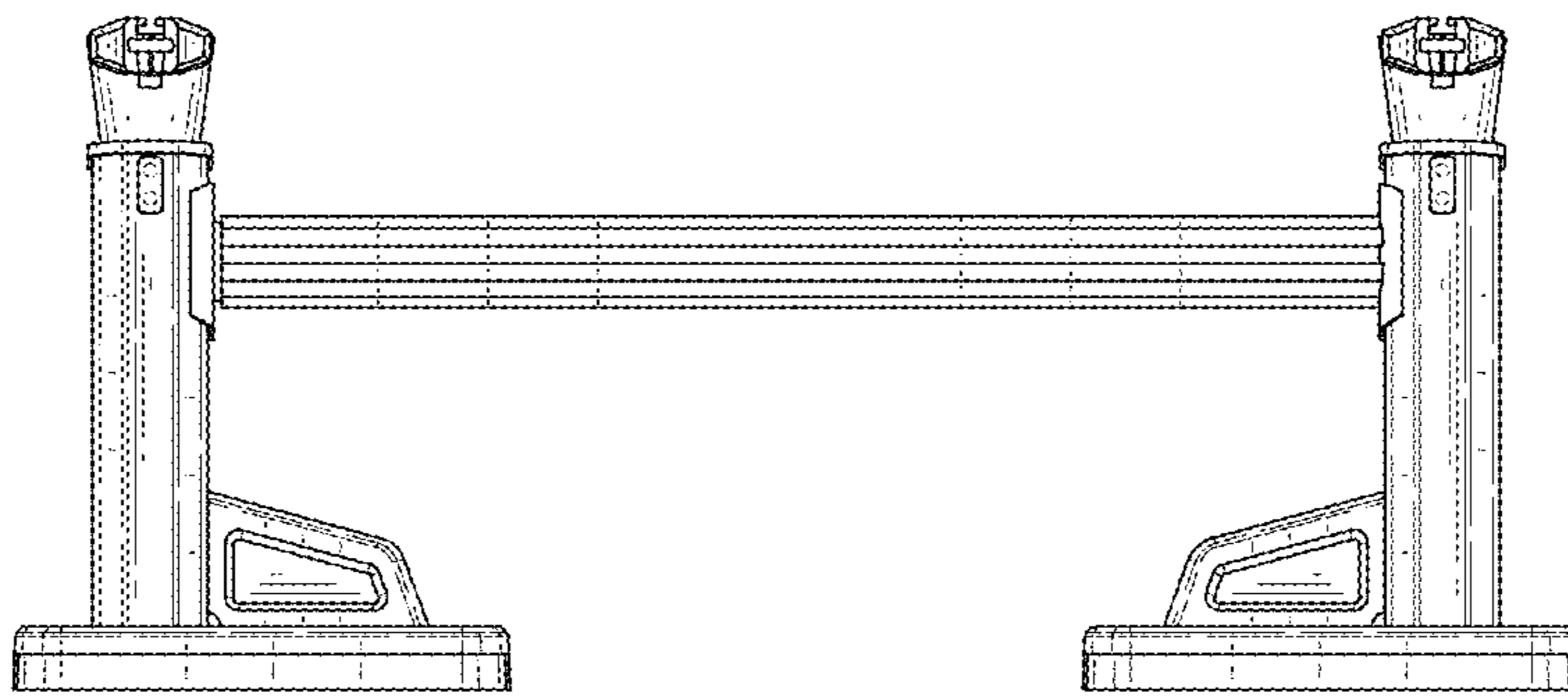


FIG. 5

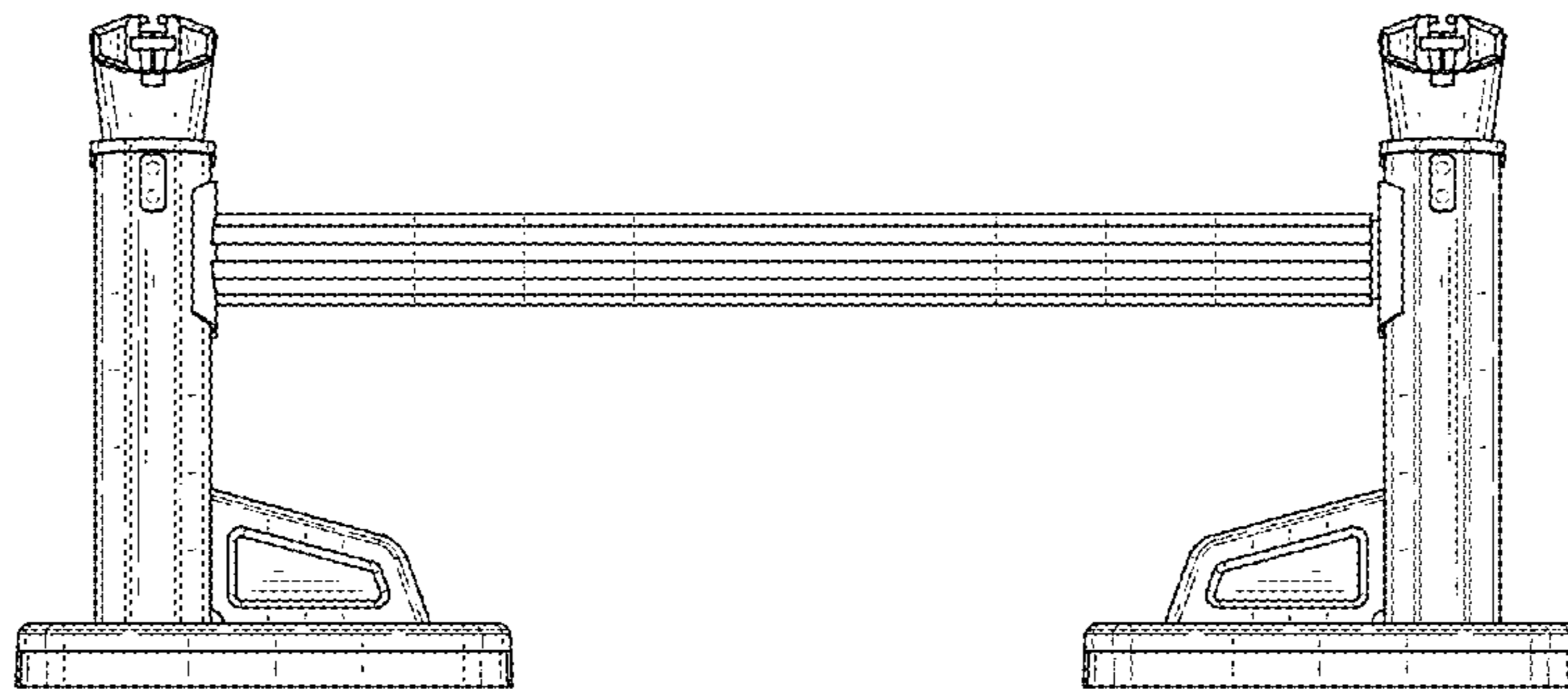


FIG. 6

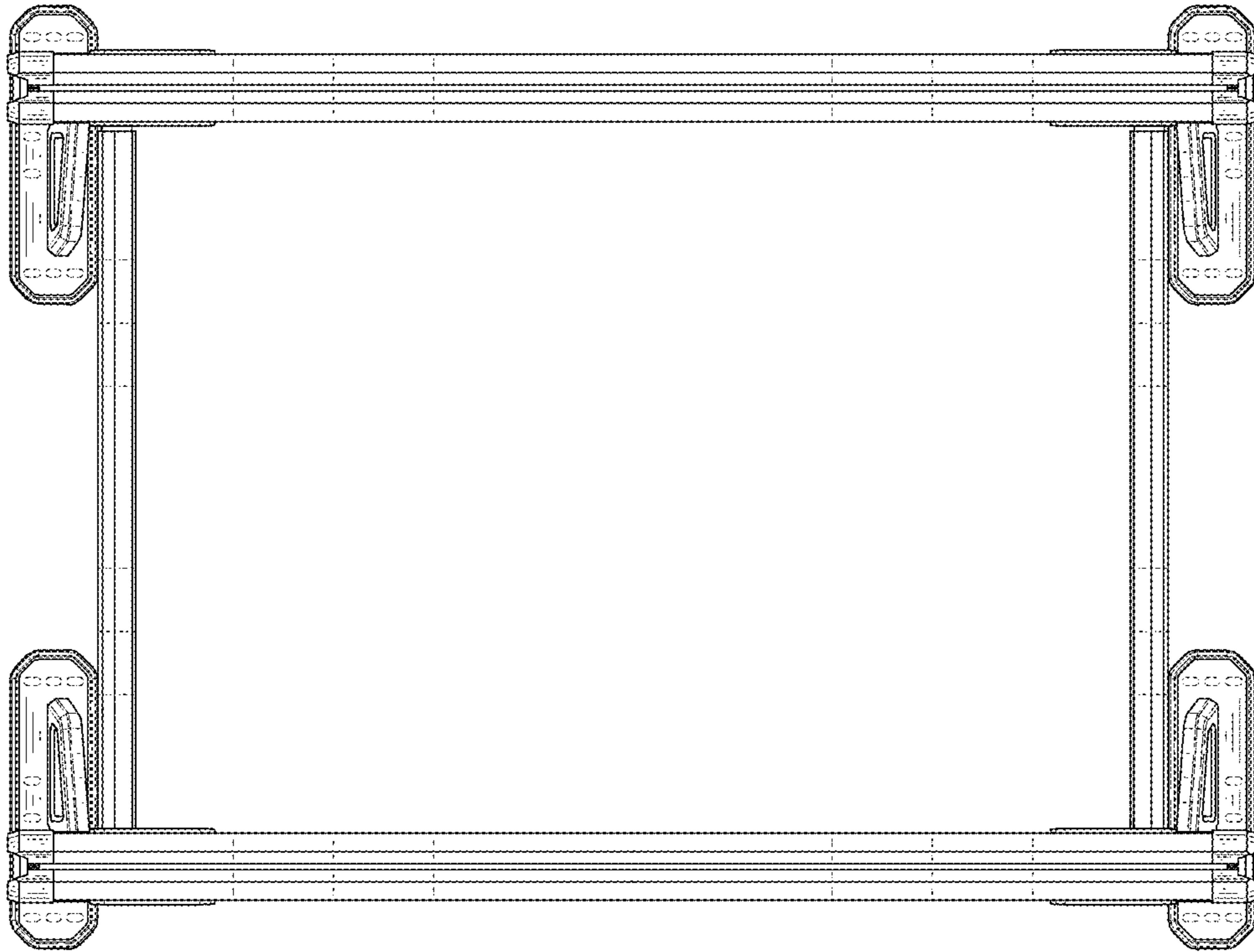


FIG. 7



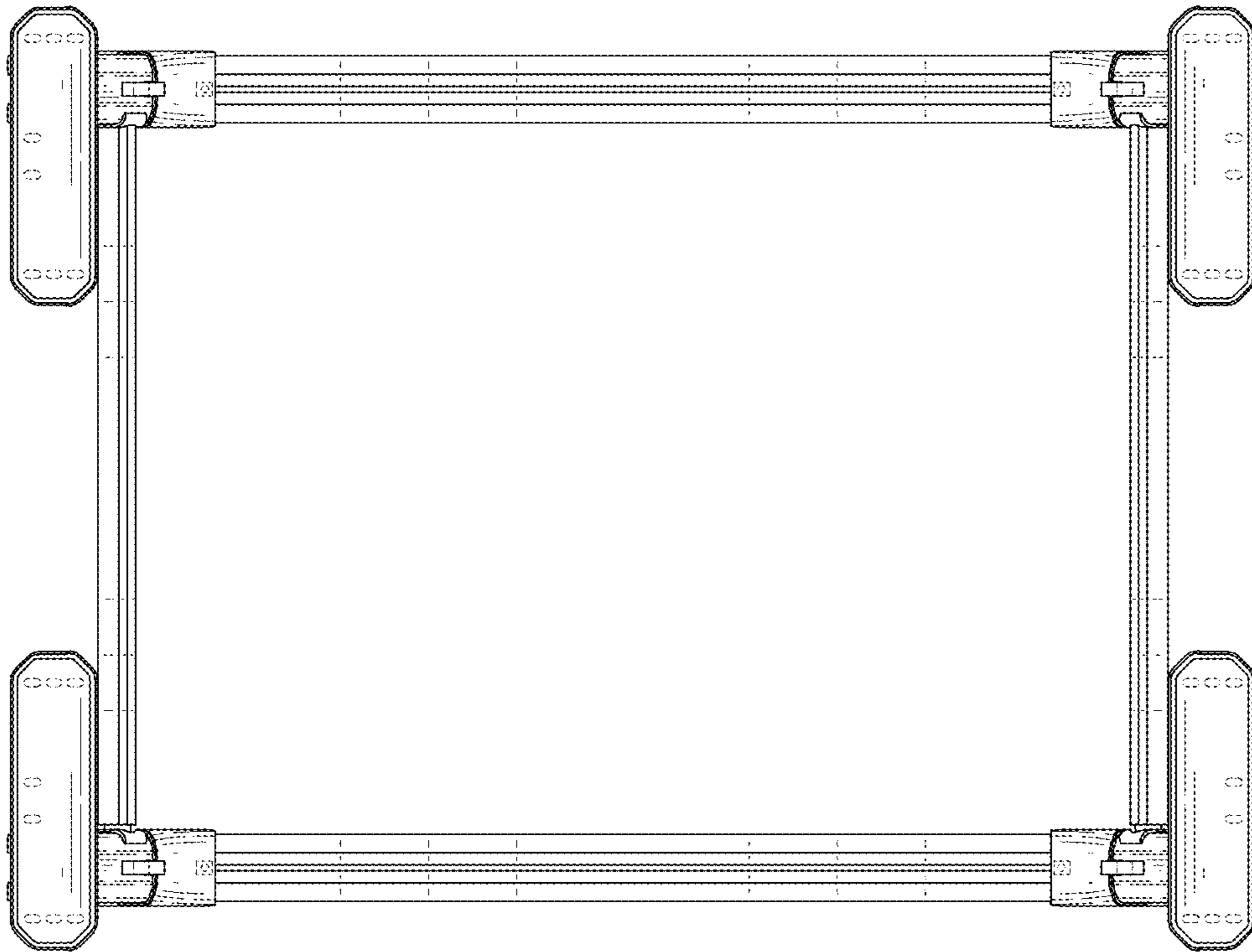


FIG. 8