



US00D921567S

(12) **United States Design Patent**  
**Pearce et al.**

(10) **Patent No.:** **US D921,567 S**  
(45) **Date of Patent:** **\*\* Jun. 8, 2021**

(54) **AUTOMOTIVE ROOF TENT LID**  
(71) Applicant: **PATRIOT CAMPERS PTY LTD.,**  
Molendinar (AU)

D254,905 S \* 5/1980 Collins ..... D12/404  
D260,385 S \* 8/1981 Munoz ..... D12/404  
D262,014 S \* 11/1981 Retallick ..... D12/404  
(Continued)

(72) Inventors: **Simon Noel Pearce**, Sunnybank Hills  
(AU); **Harrison Bell**, Molendinar (AU);  
**Jack Nelson Beet**, Molendinar (AU);  
**Kirby James Nankivell**, Molendinar  
(AU); **Michael Hinchy**, Birkdale (AU);  
**Cameron Hamilton**, Molendinar (AU)

**OTHER PUBLICATIONS**

X1-H, PatriotCampers.com.au, [online], [site visited Jun. 25, 2020].  
<URL: https://www.patriotcampers.com.au/camper-trailers/x1-h/> (Year:  
2020).\*

(73) Assignee: **PATRIOT CAMPERS HOLDINGS**  
**PTY LTD.,** Qld (AU)

*Primary Examiner* — T Chase Nelson  
*Assistant Examiner* — Jonathan J. Han  
(74) *Attorney, Agent, or Firm* — Tucker Ellis LLP

(\*\*) Term: **15 Years**

(21) Appl. No.: **29/687,683**

(22) Filed: **Apr. 15, 2019**

(30) **Foreign Application Priority Data**

Oct. 17, 2018 (AU) ..... 201816216

(51) **LOC (13) Cl.** ..... **12-16**

(52) **U.S. Cl.**  
USPC ..... **D12/412**

(58) **Field of Classification Search**  
USPC ..... D12/400–406, 93–106, 412–414, 414.1,  
D12/100–106, 19, 129, 425, 435, 181,  
D12/156; D34/21–26, 12, 16; 280/204,  
280/205, 63, 475, 482, 647; 296/168,  
296/180, 180.1, 180.2, 10, 61,  
296/100.01–100.081, 102, 100, 26  
CPC ..... A47D 15/00; A47C 7/66; A47C 31/00;  
A47G 9/068; B60P 1/56; B60P 3/222;  
B60P 3/224; B23K 31/02  
See application file for complete search history.

(56) **References Cited**

**U.S. PATENT DOCUMENTS**

D247,029 S \* 1/1978 Fairthorne ..... D12/404  
D251,375 S \* 3/1979 Knobel ..... D12/404

(57) **CLAIM**

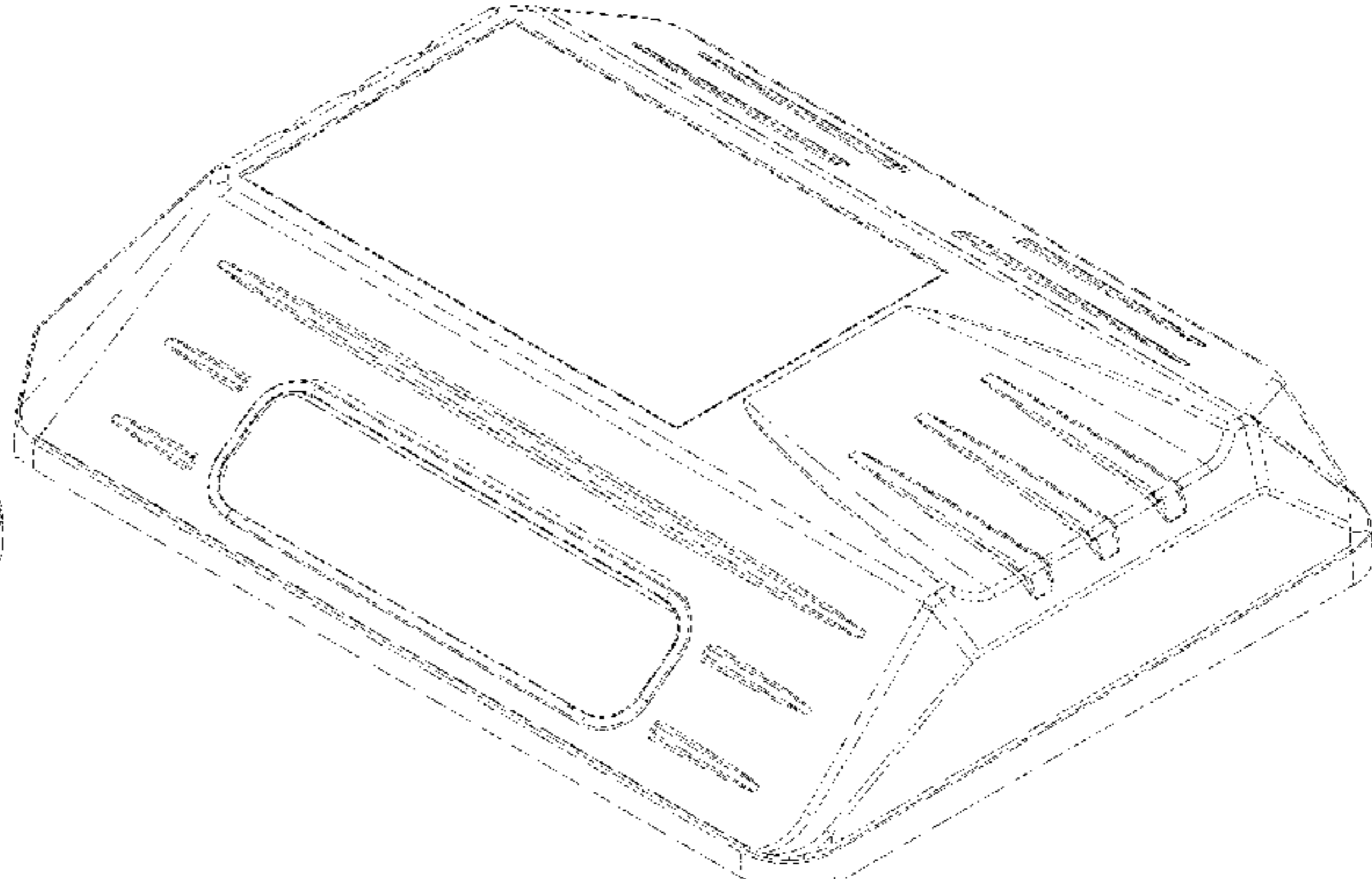
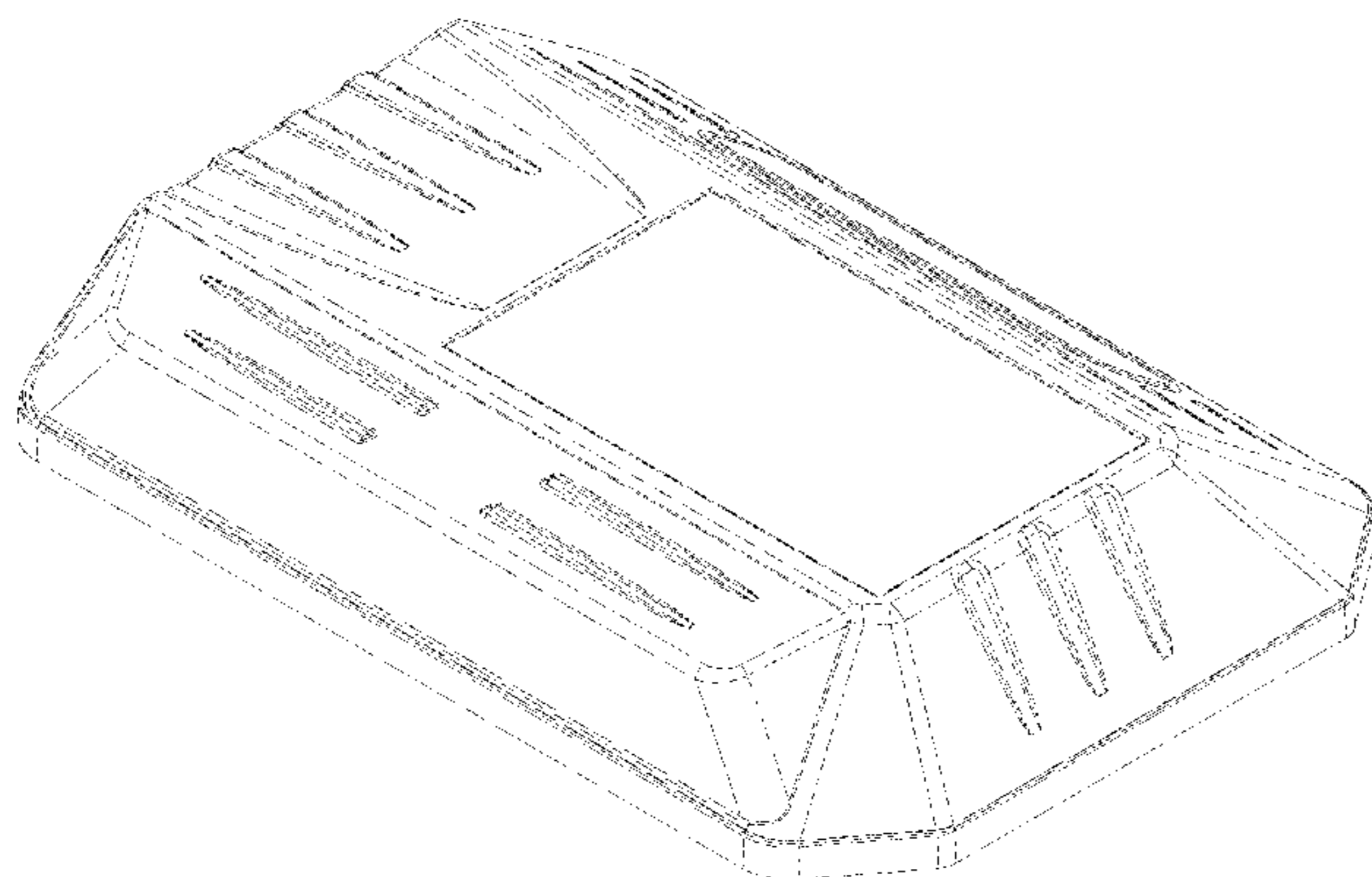
The ornamental design for an automotive roof tent lid, as  
shown and described.

**DESCRIPTION**

FIG. 1 is a top front left perspective view of an automotive  
roof tent lid showing our new design;  
FIG. 2 is a top front right perspective view thereof;  
FIG. 3 is a top rear left perspective view thereof;  
FIG. 4 is a top rear right perspective view thereof;  
FIG. 5 is a bottom front left perspective view thereof;  
FIG. 6 is a bottom front right perspective view thereof;  
FIG. 7 is a bottom rear left perspective view thereof;  
FIG. 8 is a bottom rear right perspective view thereof;  
FIG. 9 is a top view thereof;  
FIG. 10 is a bottom view thereof;  
FIG. 11 is a left side view thereof;  
FIG. 12 is a right side view thereof;  
FIG. 13 is a front view thereof; and,  
FIG. 14 is a rear view thereof.

The broken lines show portions of the automotive roof tent  
lid that form no part of the claimed design.

**1 Claim, 12 Drawing Sheets**



(56)

References Cited

U.S. PATENT DOCUMENTS

D262,533 S \* 1/1982 Hanson ..... D12/401  
 D271,757 S \* 12/1983 Miller ..... D12/404  
 D281,488 S \* 11/1985 Collins ..... D12/404  
 D285,546 S \* 9/1986 Hayslette ..... D12/404  
 D290,945 S \* 7/1987 Geisler ..... D12/404  
 D293,094 S \* 12/1987 Brown ..... D12/404  
 D294,934 S \* 3/1988 Thomas ..... D12/404  
 D295,620 S \* 5/1988 Littrell ..... D12/413  
 D298,818 S \* 12/1988 Silliker ..... D12/404  
 D298,927 S \* 12/1988 Johnson ..... D12/401  
 D298,928 S \* 12/1988 Johnson ..... D12/401  
 D298,929 S \* 12/1988 Johnson ..... D12/404  
 D299,223 S \* 1/1989 Galvin ..... D12/404  
 D306,569 S \* 3/1990 Walz ..... D12/401  
 D306,570 S \* 3/1990 Lomonaco ..... D12/401  
 D308,955 S \* 7/1990 Borum ..... D12/404  
 D310,649 S \* 9/1990 Lee ..... D12/404  
 D310,806 S \* 9/1990 Hertzberg ..... D12/403  
 D317,889 S \* 7/1991 Gentzhorn ..... D12/404  
 D319,203 S \* 8/1991 Tisten ..... D12/401  
 D325,551 S \* 4/1992 Quiniones ..... D12/404  
 D326,441 S \* 5/1992 Rogers ..... D12/404  
 D381,953 S \* 8/1997 Collins ..... D12/401  
 6,679,542 B1 \* 1/2004 Semotuk ..... B60P 3/341  
 296/165

6,866,335 B2 \* 3/2005 Tolinski ..... B60J 7/043  
 296/216.05  
 D516,584 S \* 3/2006 Flatt ..... D15/9  
 D549,639 S \* 8/2007 Tuo ..... D12/401  
 D742,807 S \* 11/2015 Vissers ..... D12/421  
 D746,217 S \* 12/2015 Gruner ..... D12/413  
 D762,145 S \* 7/2016 Van Bosstraeten ..... D12/102  
 D859,285 S \* 9/2019 Terpin ..... D12/413

OTHER PUBLICATIONS

Patriot Campers X1-H—Launch Video, YouTube.com, Patriot Campers, Jan. 30, 2019, [online], [site visited Jun. 25, 2020]. <URL: <https://www.youtube.com/watch?v=LIJHCvrudho>> (Year: 2019).\*

Tuff Stuff Alpha Hard Top Side Open Roof Top Tent, 4 Person—Pre-Order, RooftopOverland.com, [online], [site visited Jun. 25, 2020]. <URL: [https://rooftopoverland.com/products/tuff-stuff%C2%AE-alpha-hard-top-side-open-roof-top-tent-4-person?variant=31437136986212&utm\\_medium=cpc&utm\\_source=google](https://rooftopoverland.com/products/tuff-stuff%C2%AE-alpha-hard-top-side-open-roof-top-tent-4-person?variant=31437136986212&utm_medium=cpc&utm_source=google)> (Year: 2020).\*

Bigfoot Explorer Series Hardshell Roof Top Tent, OffRoadTents.com, [online], [site visited Jun. 25, 2020]. <URL: <https://offroadtents.com/products/big-foot-explorer-series-hardshell-roof-top-tent?variant=7480065032249>> (Year: 2020).\*

\* cited by examiner



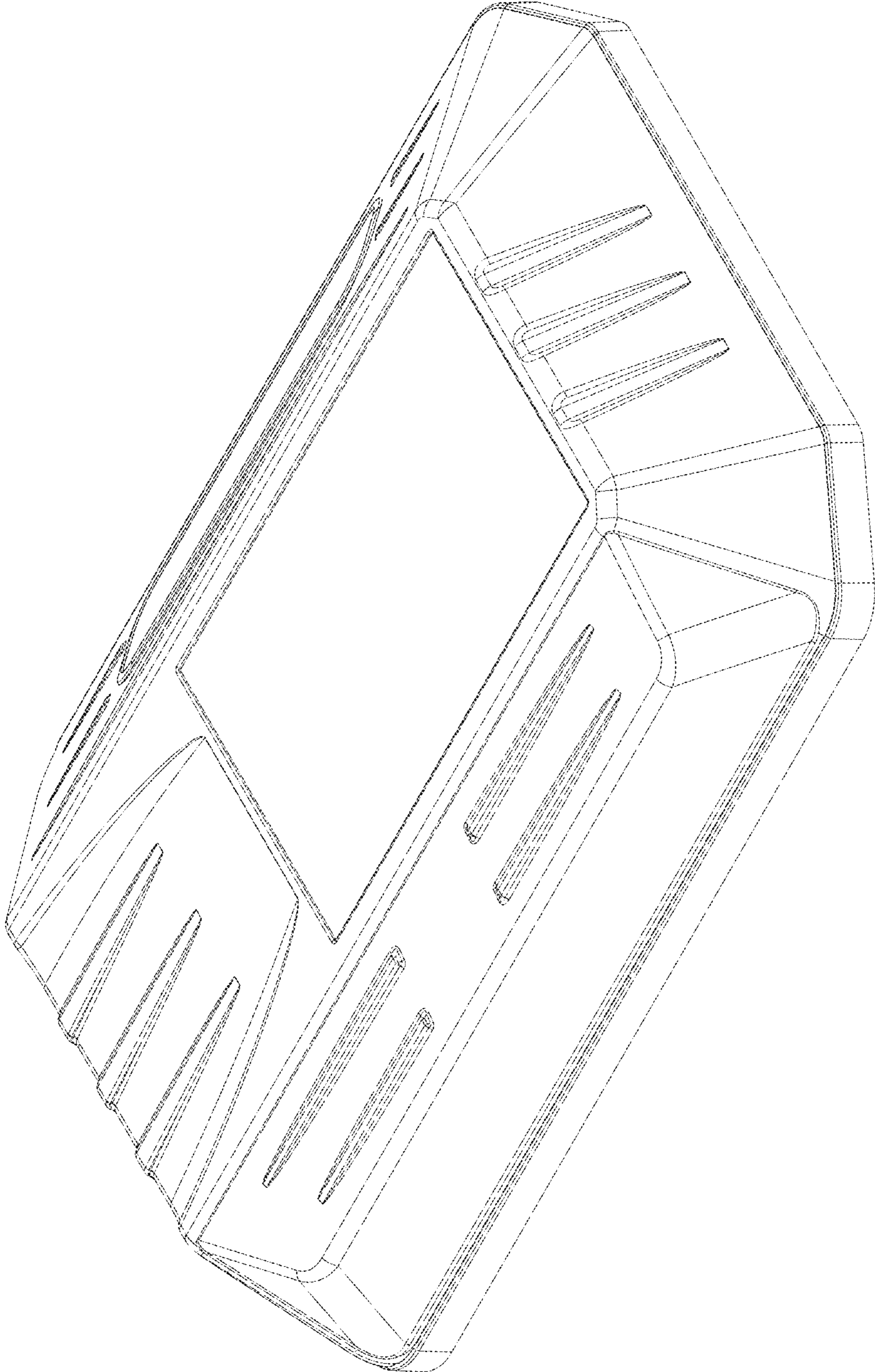


FIG. 1

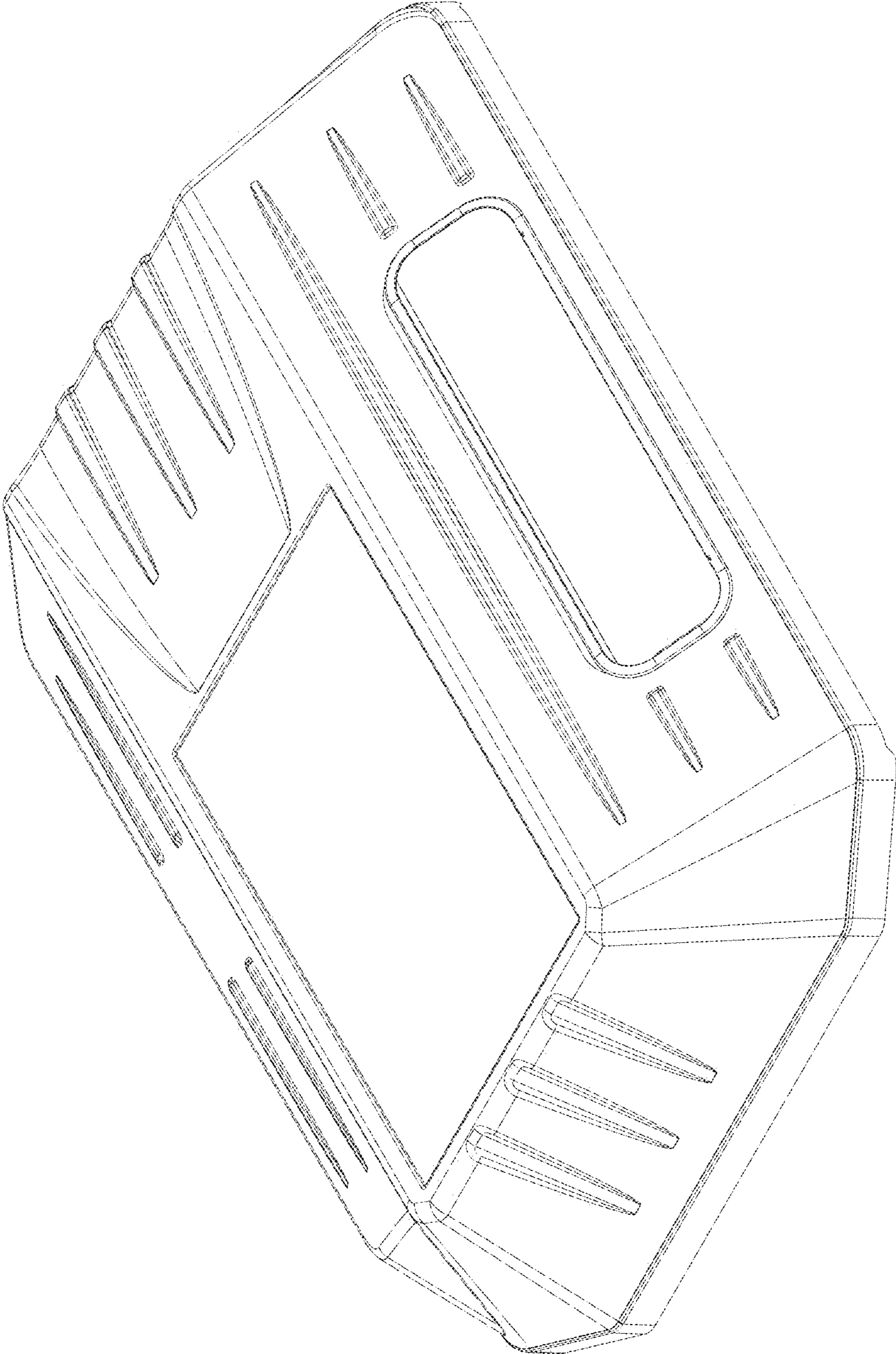


FIG. 2

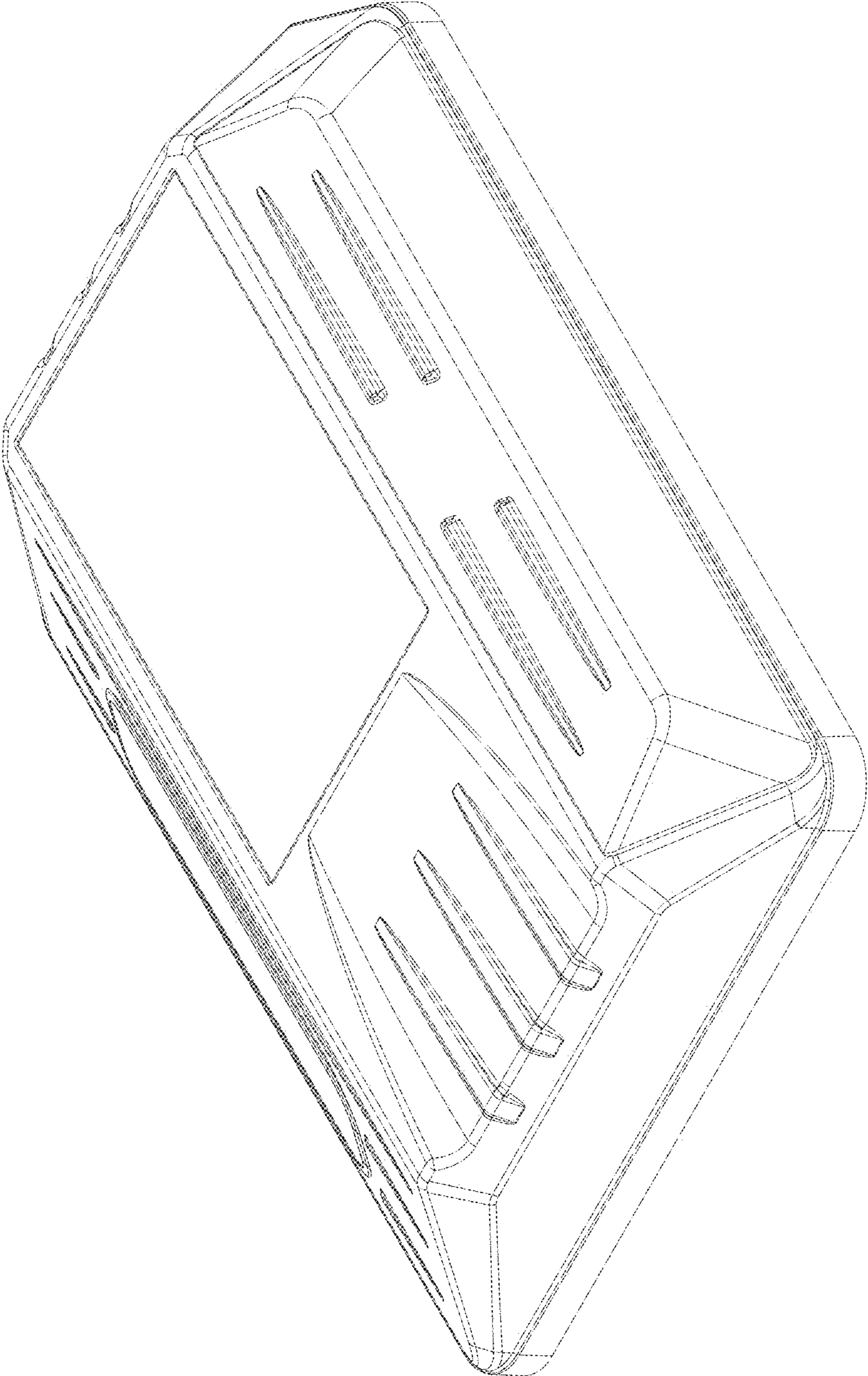


FIG. 3



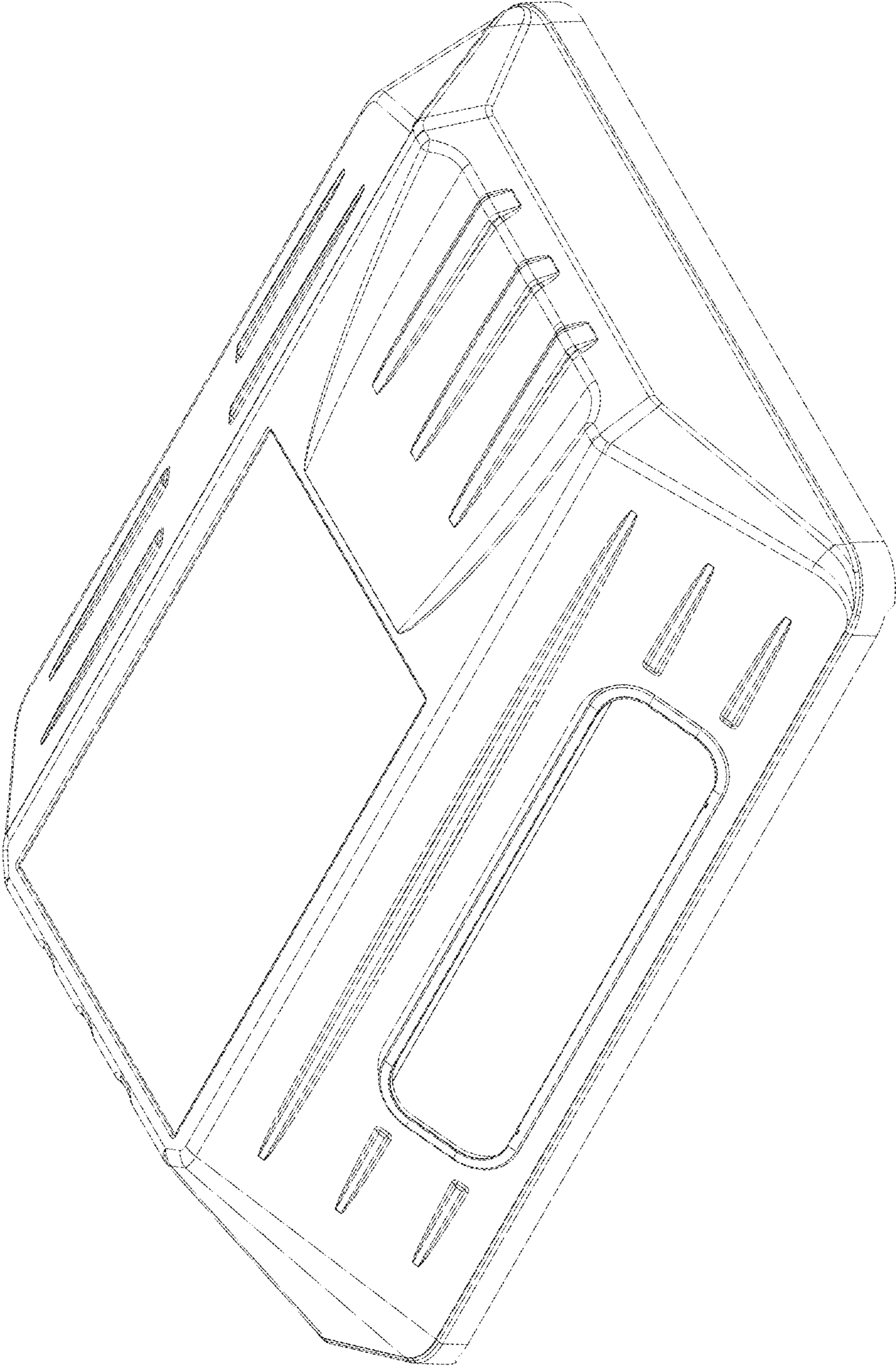


FIG. 4

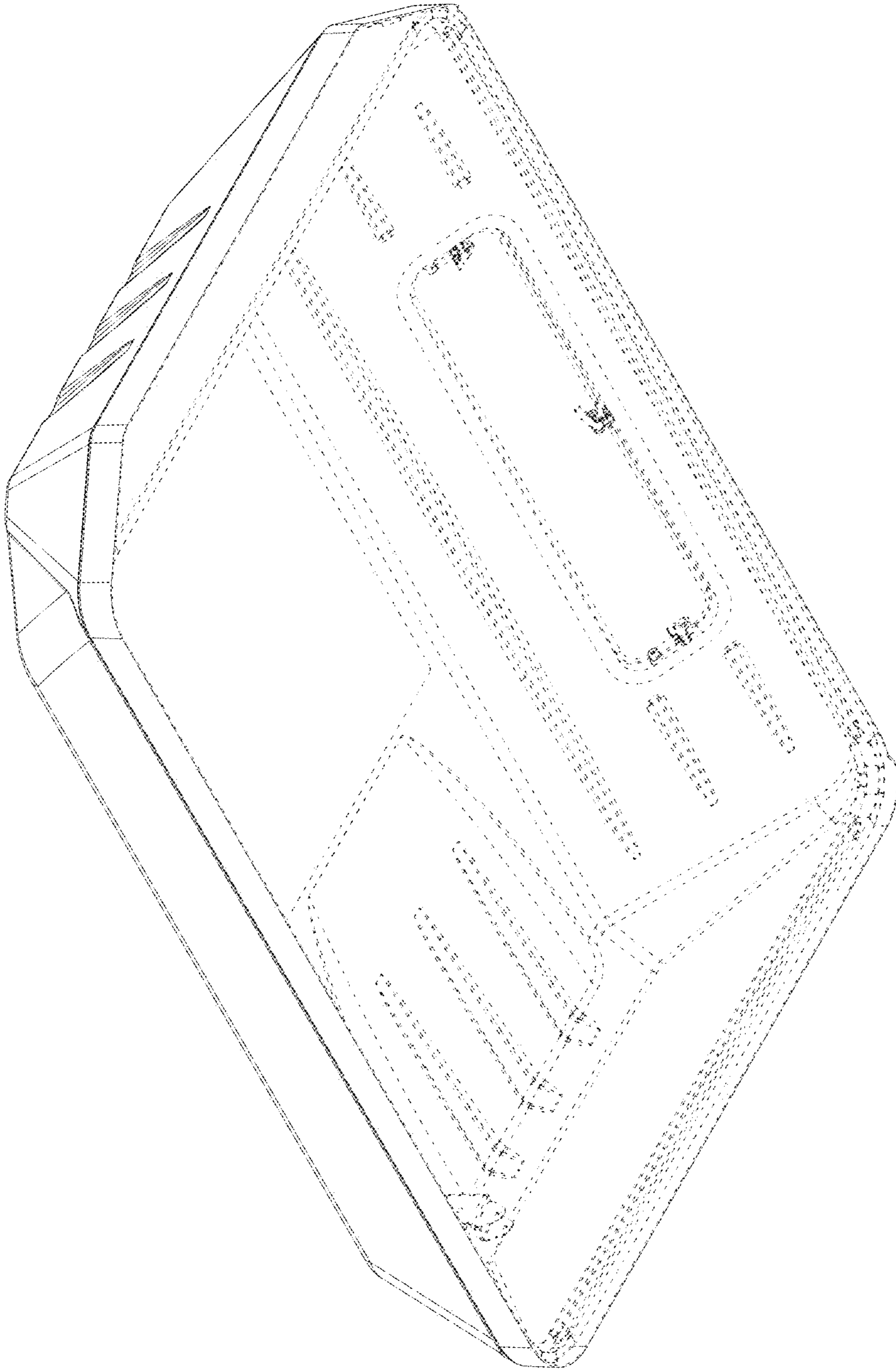


FIG. 5

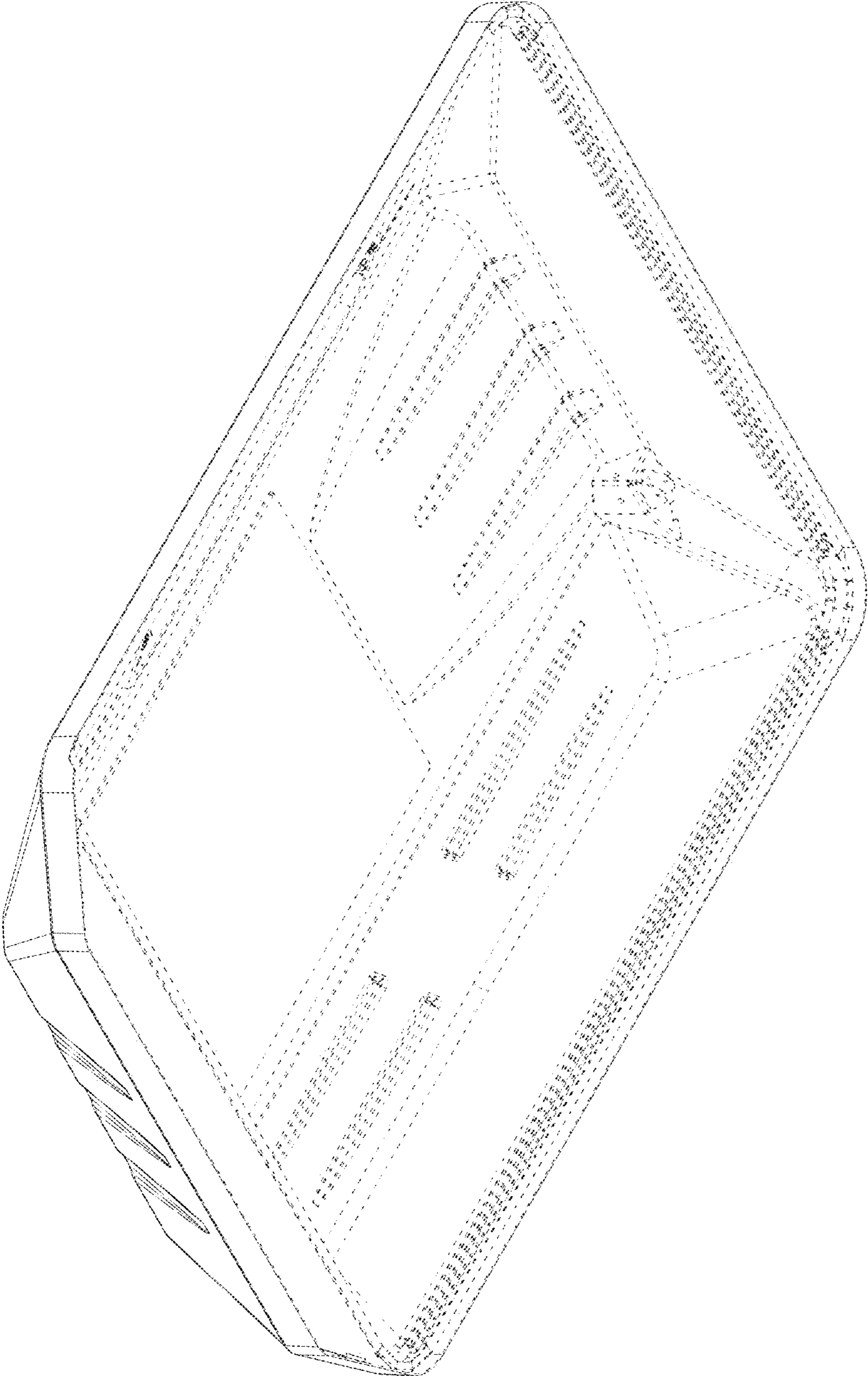


FIG. 6



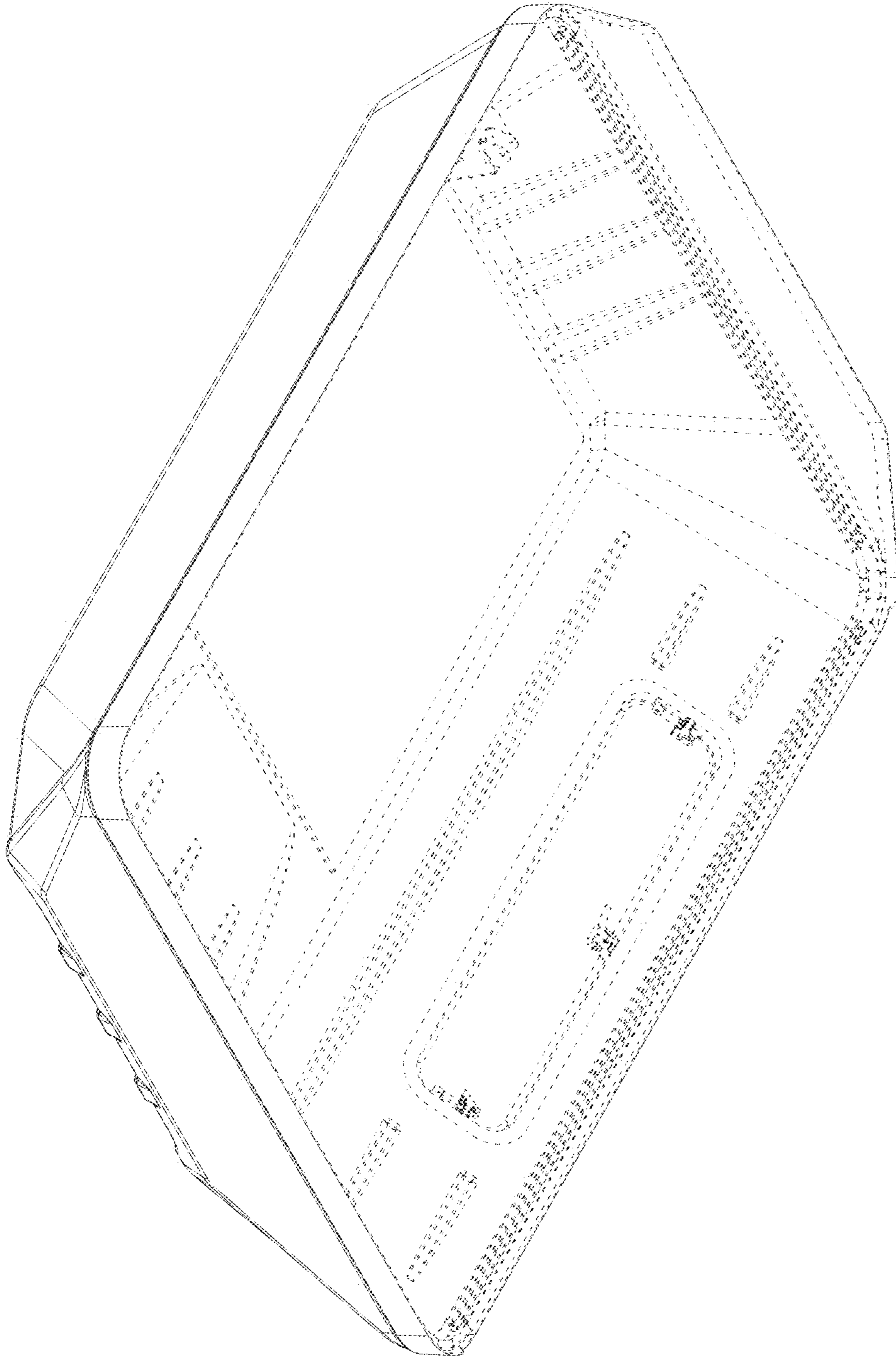


FIG. 7

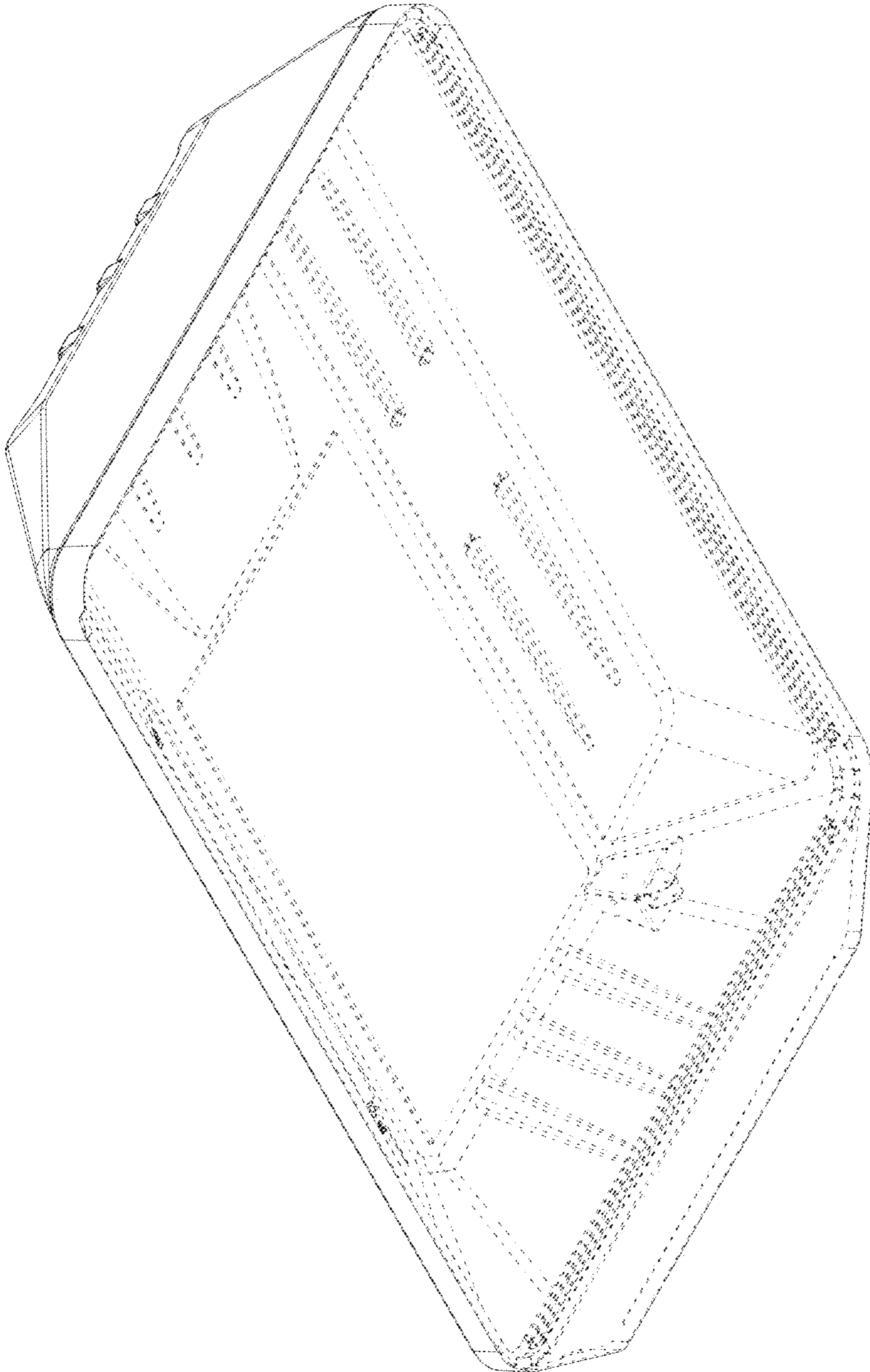


FIG. 8

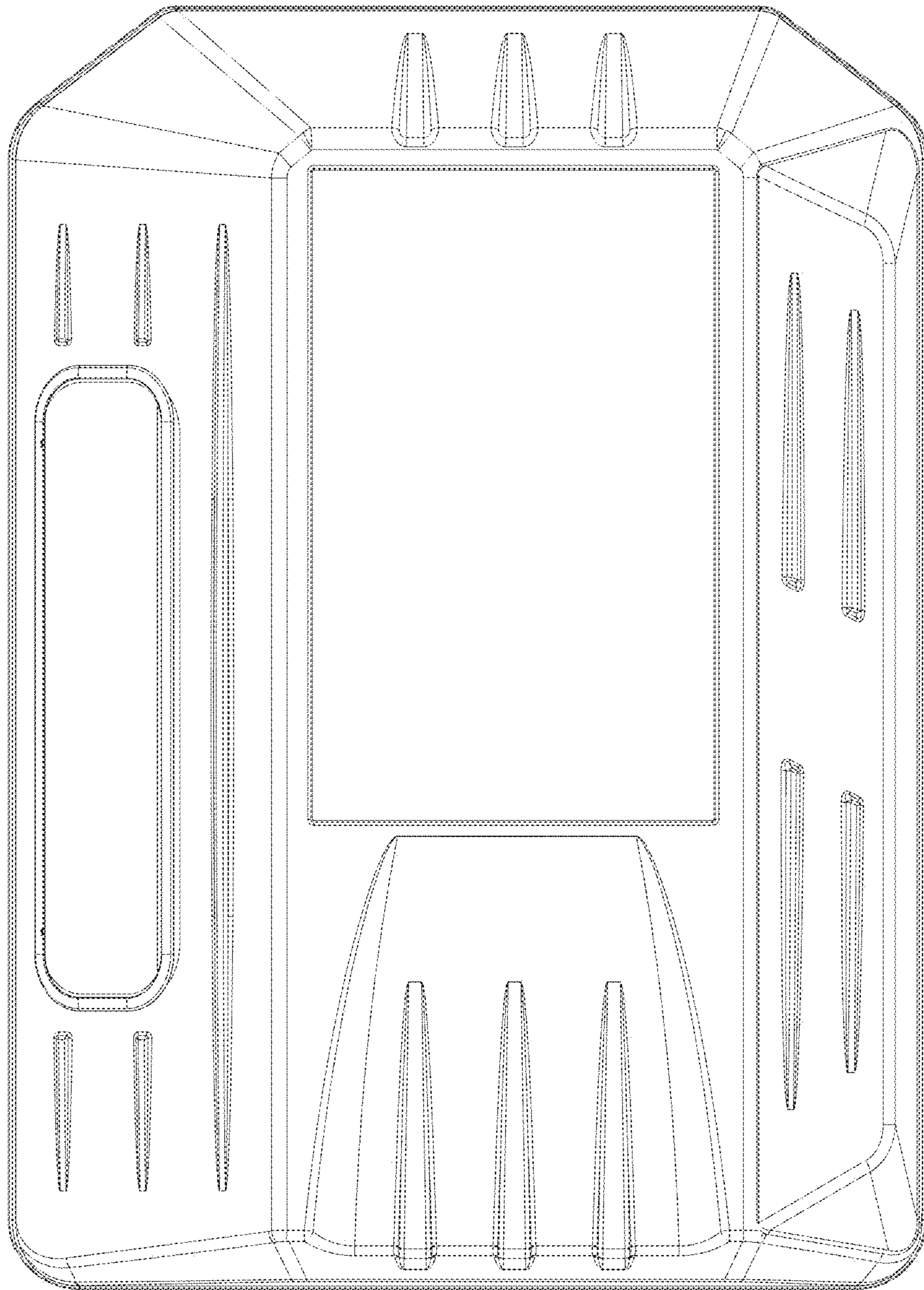


FIG. 9



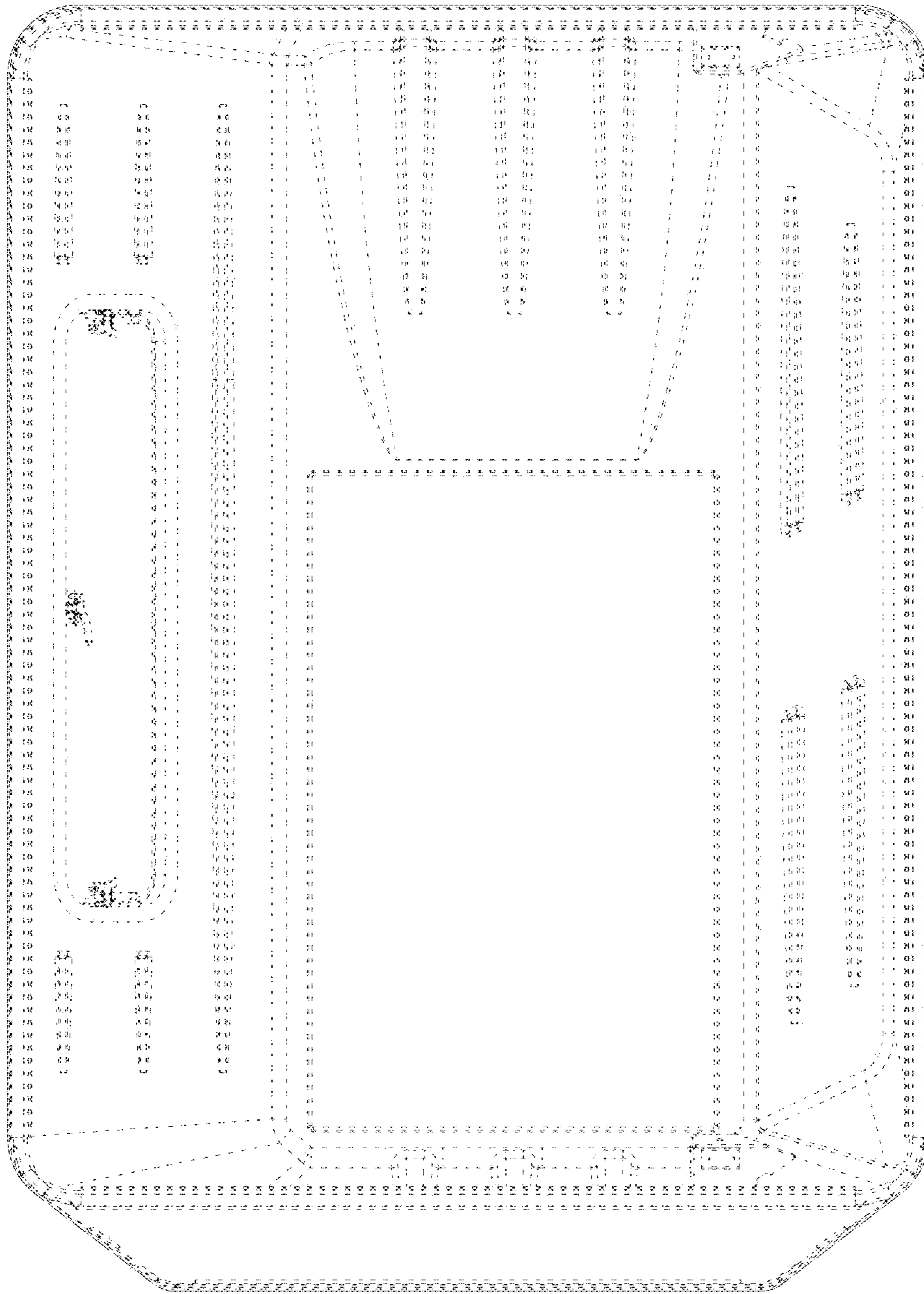


FIG. 10

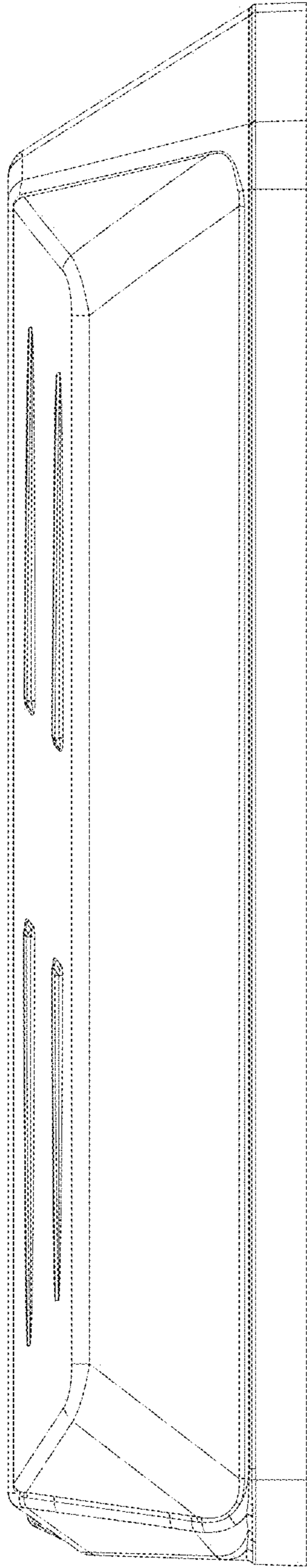


FIG. 11

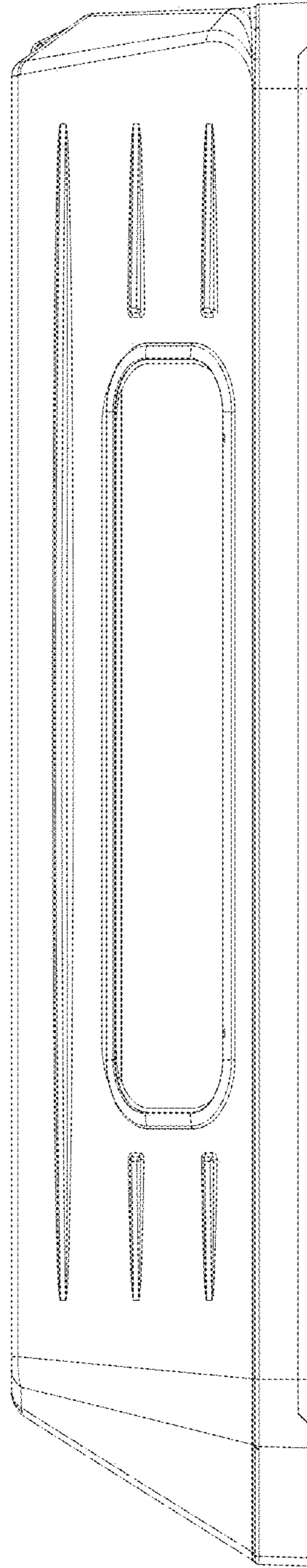


FIG. 12

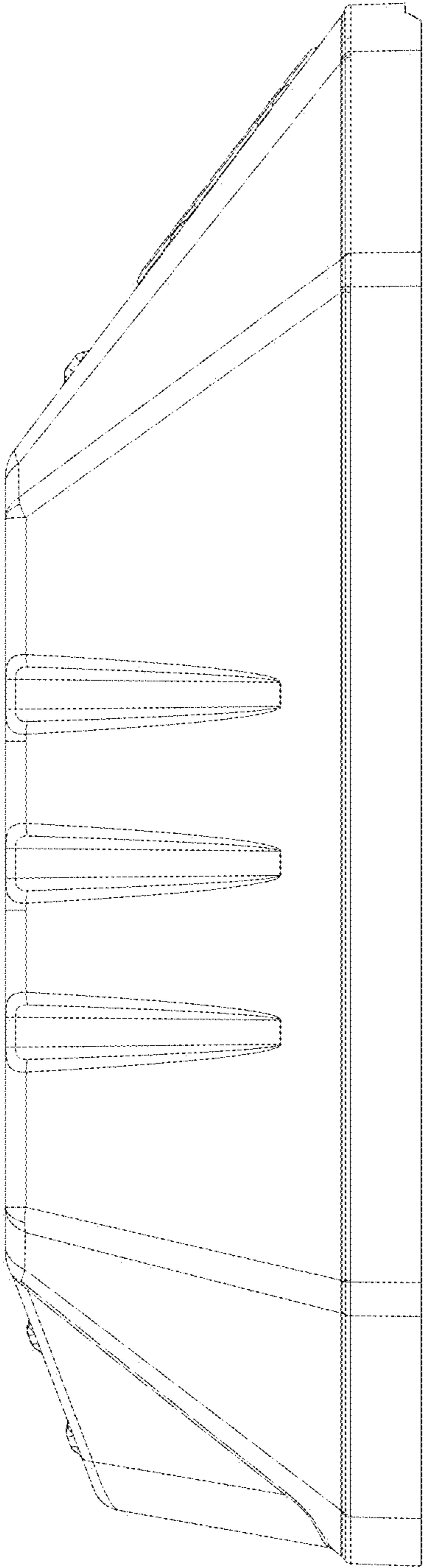


FIG. 13

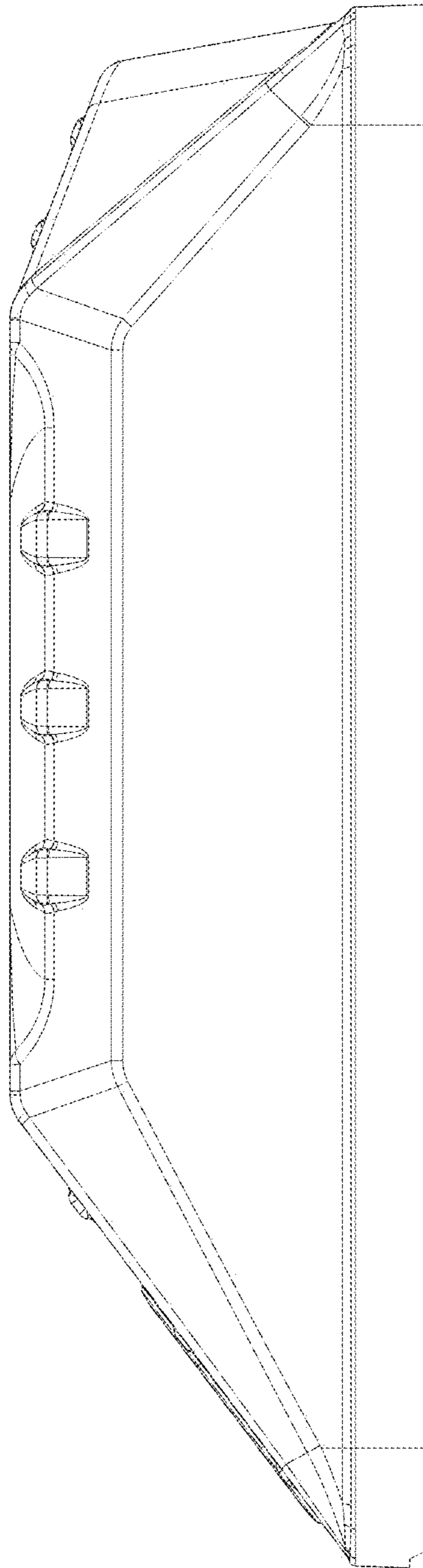


FIG. 14