



US00D921566S

(12) **United States Design Patent** (10) **Patent No.:** **US D921,566 S**
Römer et al. (45) **Date of Patent:** **** Jun. 8, 2021**

- (54) **ROOF FOR A ROAD ROLLER CAB**
- (71) Applicant: **HAMM AG**, Tirschenreuth (DE)
- (72) Inventors: **Axel Römer**, Tirschenreuth (DE);
Ulrich Ewringmann, Pöcking (DE);
Stefan Reber, Weiden (DE); **Markus Beese**, Munich (DE); **Thomas Häring**, Mähring (DE); **Gernot Reif**, Buckenhof (DE); **Gerd Köstler**, Tirschenreuth (DE)
- (73) Assignee: **HAMM AG**, Tirschenreuth (DE)
- (**) Term: **15 Years**
- (21) Appl. No.: **29/686,503**
- (22) Filed: **Apr. 4, 2019**
- (51) **LOC (13) Cl.** **12-16**
- (52) **U.S. Cl.**
USPC **D12/401; D15/30**
- (58) **Field of Classification Search**
USPC D15/10, 20, 22-26, 28, 30, 33;
D12/401-405, 96, 97, 98, 12, 90, 91, 92,
D12/196
CPC E02D 3/00; E02D 3/026; E02D 3/074;
E01C 19/27; E01C 19/41; E01C 19/22;
E01C 19/38; E01C 19/286; E01C
19/4853; E01C 19/238
See application file for complete search history.

(56) **References Cited**
U.S. PATENT DOCUMENTS

D396,431 S	7/1998	Lindgren et al.	
D497,872 S *	11/2004	Bonner	D12/401
D516,094 S	2/2006	Doetsch et al.	
D534,188 S *	12/2006	Shuttleworth	D15/33
D544,889 S *	6/2007	Milburn, Jr.	D15/30
D549,639 S *	8/2007	Tuo	D12/401
D554,574 S *	11/2007	Hanson	D12/401

D589,067 S	3/2009	Yamamoto	
D611,505 S	3/2010	Loew et al.	
D611,506 S	3/2010	Loew et al.	
D620,412 S *	7/2010	Beigel	D12/196
D625,246 S *	10/2010	Major	D12/401
D657,397 S	4/2012	Loew	
D674,821 S *	1/2013	Budde	D15/30
8,376,655 B2	2/2013	Marsolek et al.	
D678,173 S *	3/2013	McIntire	D12/401
D690,256 S *	9/2013	Ewringmann	D12/401
D694,278 S *	11/2013	Ewringmann	D15/20

(Continued)

Primary Examiner — Susan E Krakower
Assistant Examiner — Jerry Shiuan-Hua Hsu
(74) *Attorney, Agent, or Firm* — Greer, Burns & Crain, Ltd.

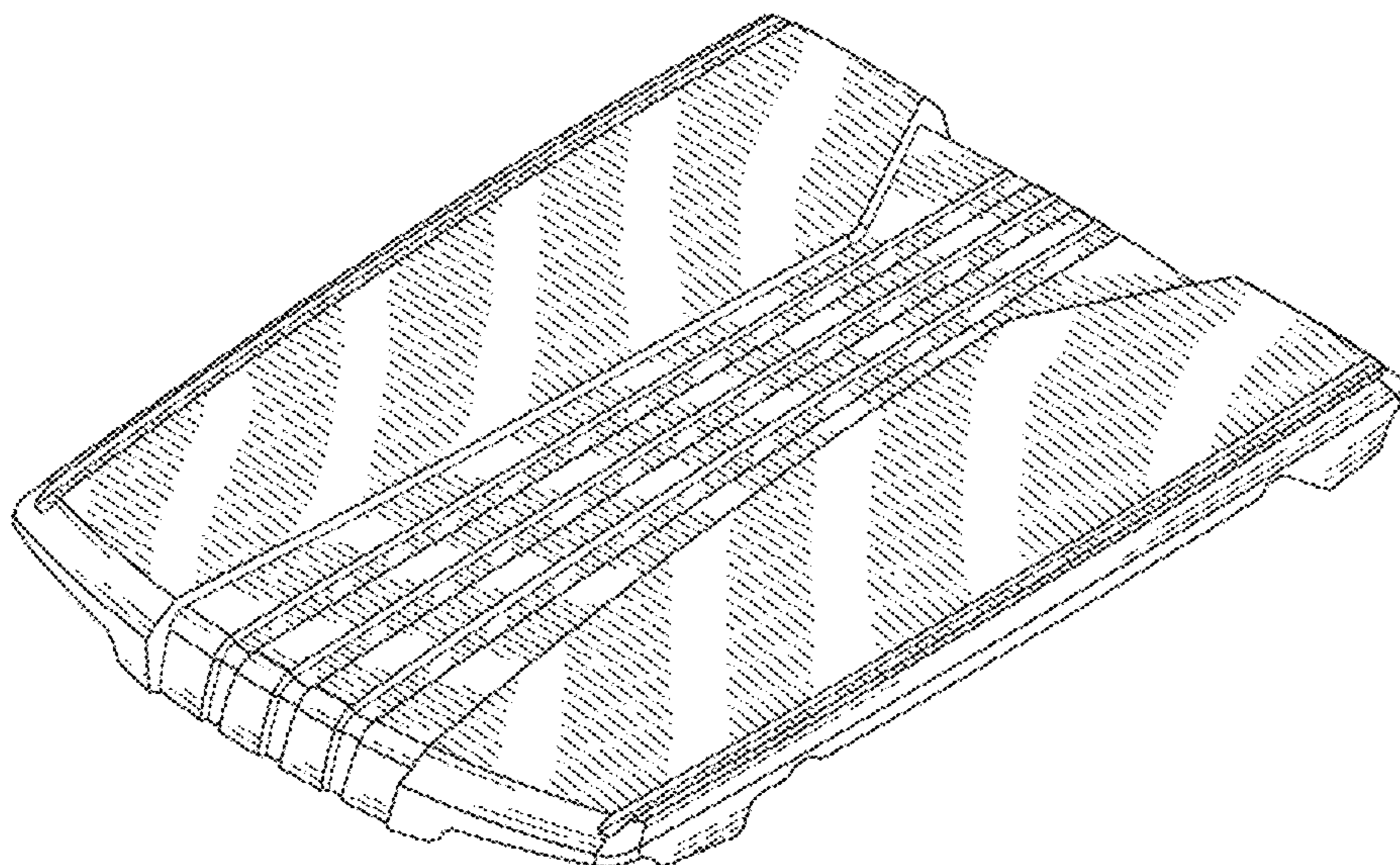
(57) **CLAIM**

The ornamental design for the roof for a road roller cab, as shown and described.

DESCRIPTION

FIG. 1 is a top front perspective view of a first embodiment of the present roof for a road roller cab;
FIG. 2 is a top rear perspective view thereof;
FIG. 3 is a front view thereof;
FIG. 4 is a rear view thereof;
FIG. 5 is a left side view thereof;
FIG. 6 is a right side view thereof; and
FIG. 7 is a top view thereof;
FIG. 8 is a top front perspective view of a second embodiment of the present roof for a road roller cab;
FIG. 9 is a top rear perspective view thereof;
FIG. 10 is a front view thereof;
FIG. 11 is a rear view thereof;
FIG. 12 is a left side view thereof;
FIG. 13 is a right side view thereof; and,
FIG. 14 is a top view thereof.
The broken lines illustrate portions of the roof for a road roller cab that form no part of the claimed design.

1 Claim, 10 Drawing Sheets



(56)

References Cited

U.S. PATENT DOCUMENTS

D694,279 S * 11/2013 Ewringmann D15/20
D699,764 S 2/2014 Loew et al.
D720,781 S * 1/2015 Venth D15/30
D727,243 S * 4/2015 Matsumura D12/401
D744,543 S * 12/2015 Loew D15/20
D745,063 S 12/2015 Loew et al.
D749,142 S 2/2016 Erdmann et al.
D749,143 S * 2/2016 Erdmann D15/20
D755,254 S * 5/2016 Ewringmann D15/30
D758,460 S * 6/2016 Kim D15/28
D765,735 S 9/2016 Roemer et al.
D776,601 S * 1/2017 McDonald, II D12/401
D785,052 S * 4/2017 Underhill D15/30
D789,424 S 6/2017 Roemer et al.
D819,704 S * 6/2018 Loew D15/20
D853,451 S * 7/2019 Loew D15/20

* cited by examiner

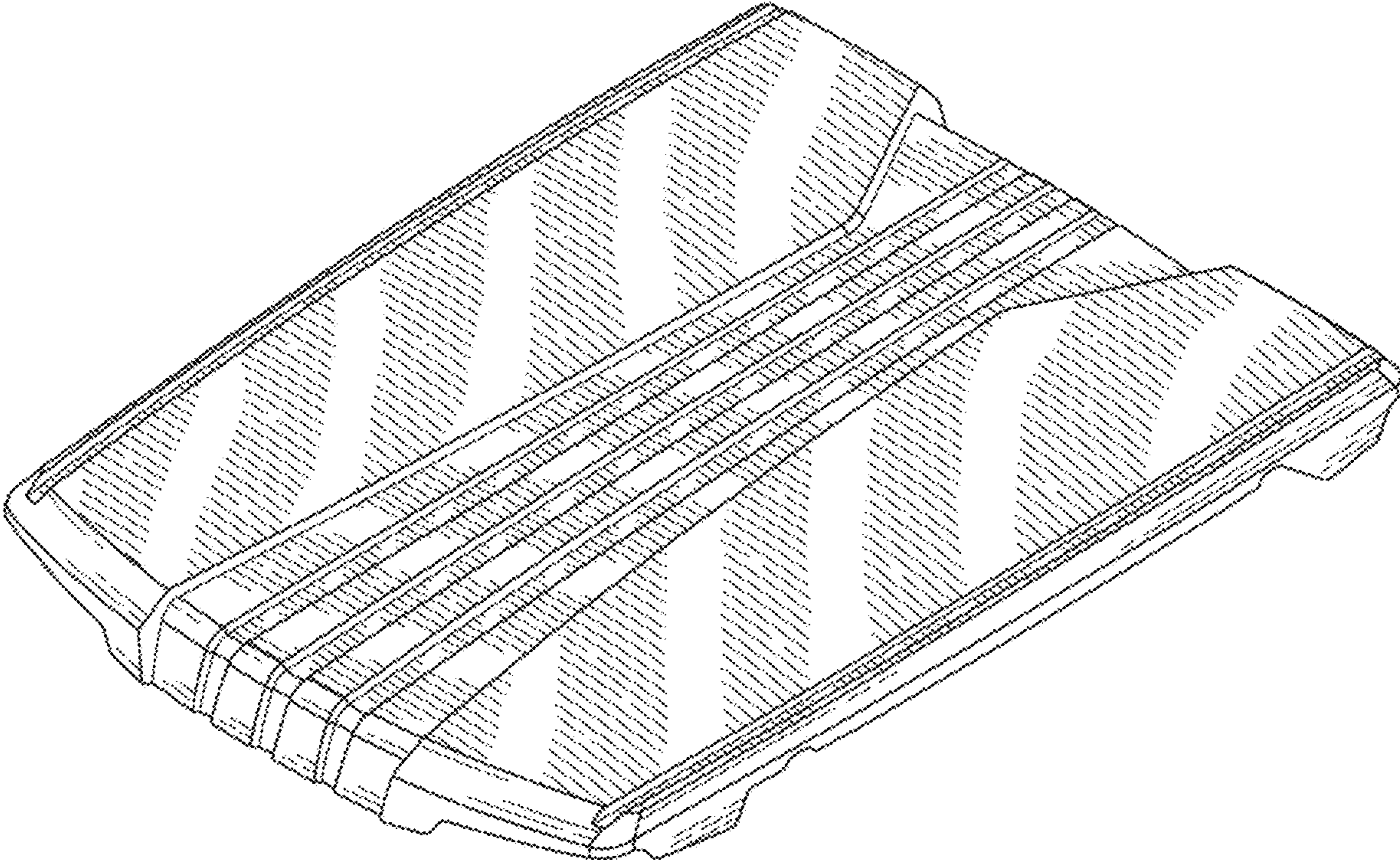


FIG. 1

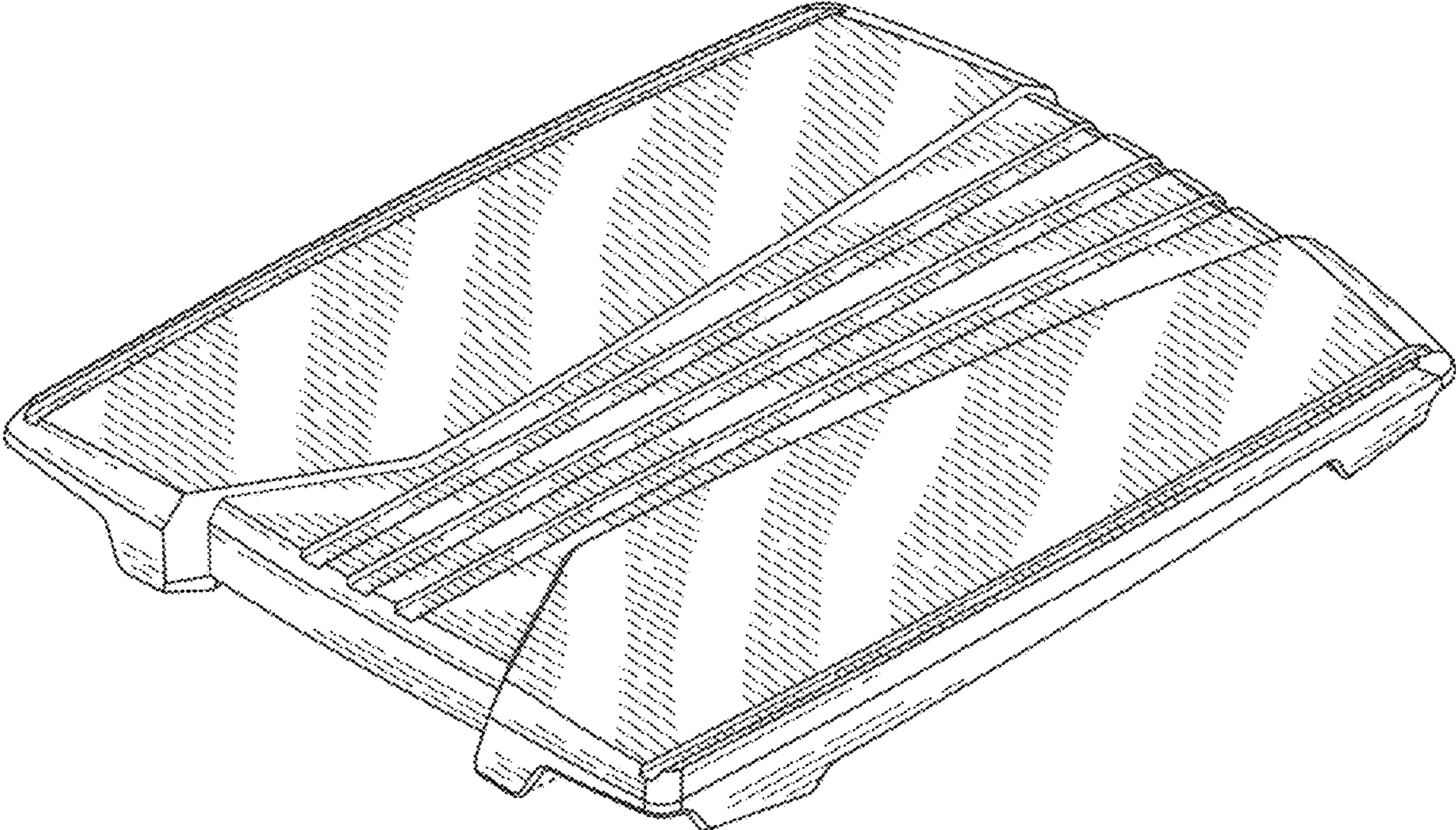


FIG. 2

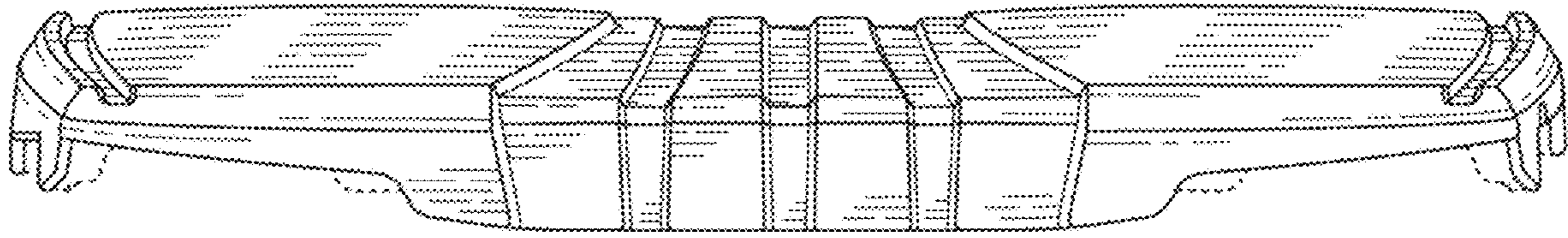


FIG. 3

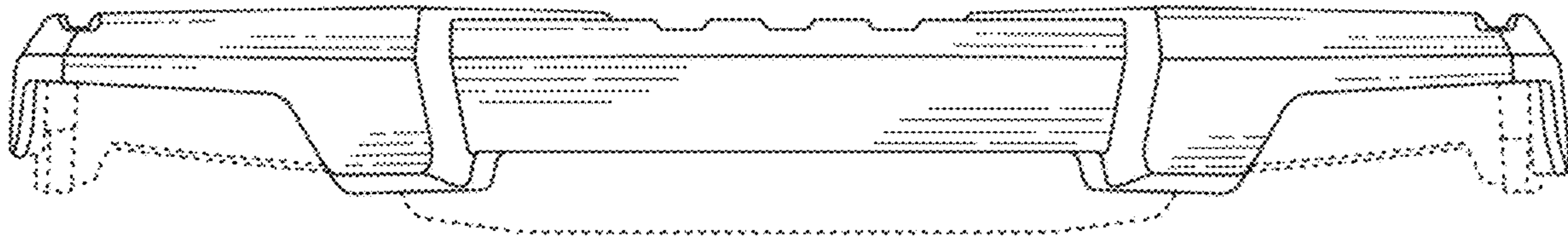


FIG. 4

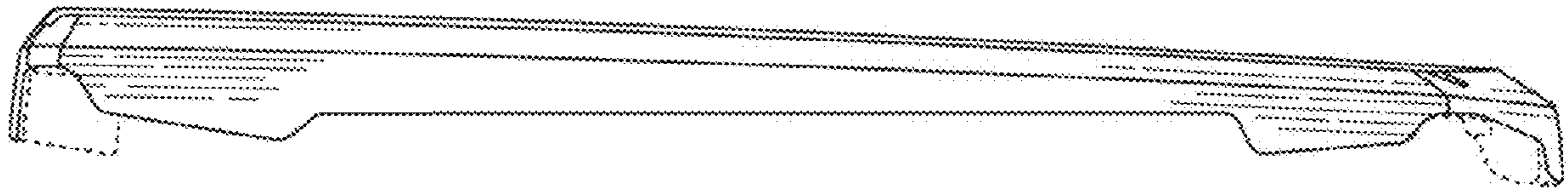


FIG. 5

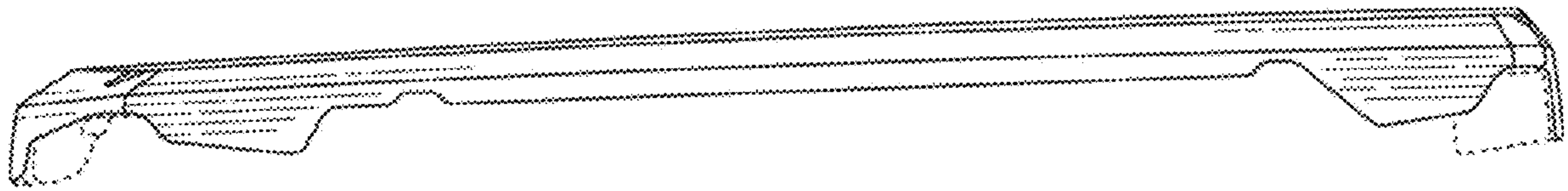


FIG. 6

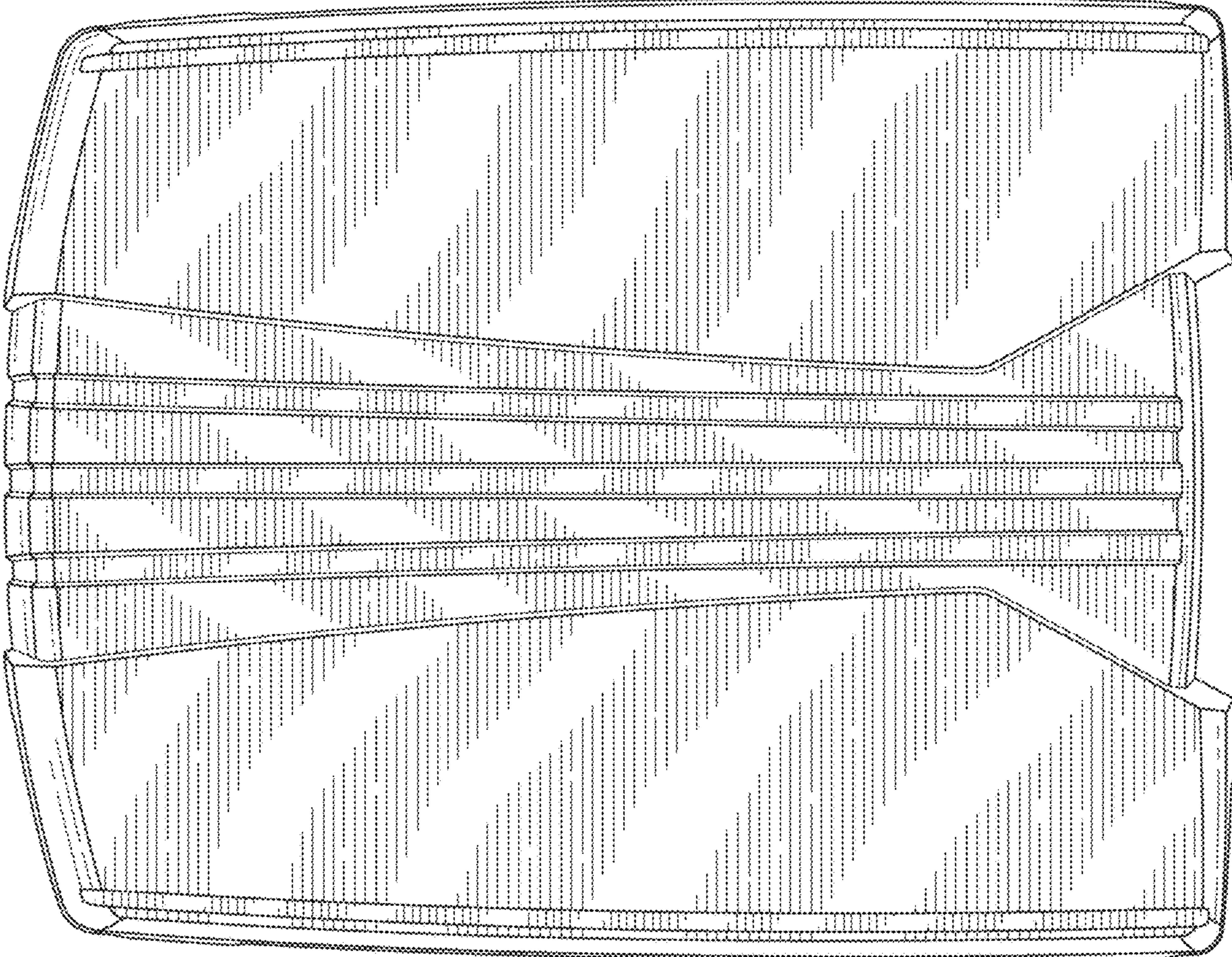


FIG. 7

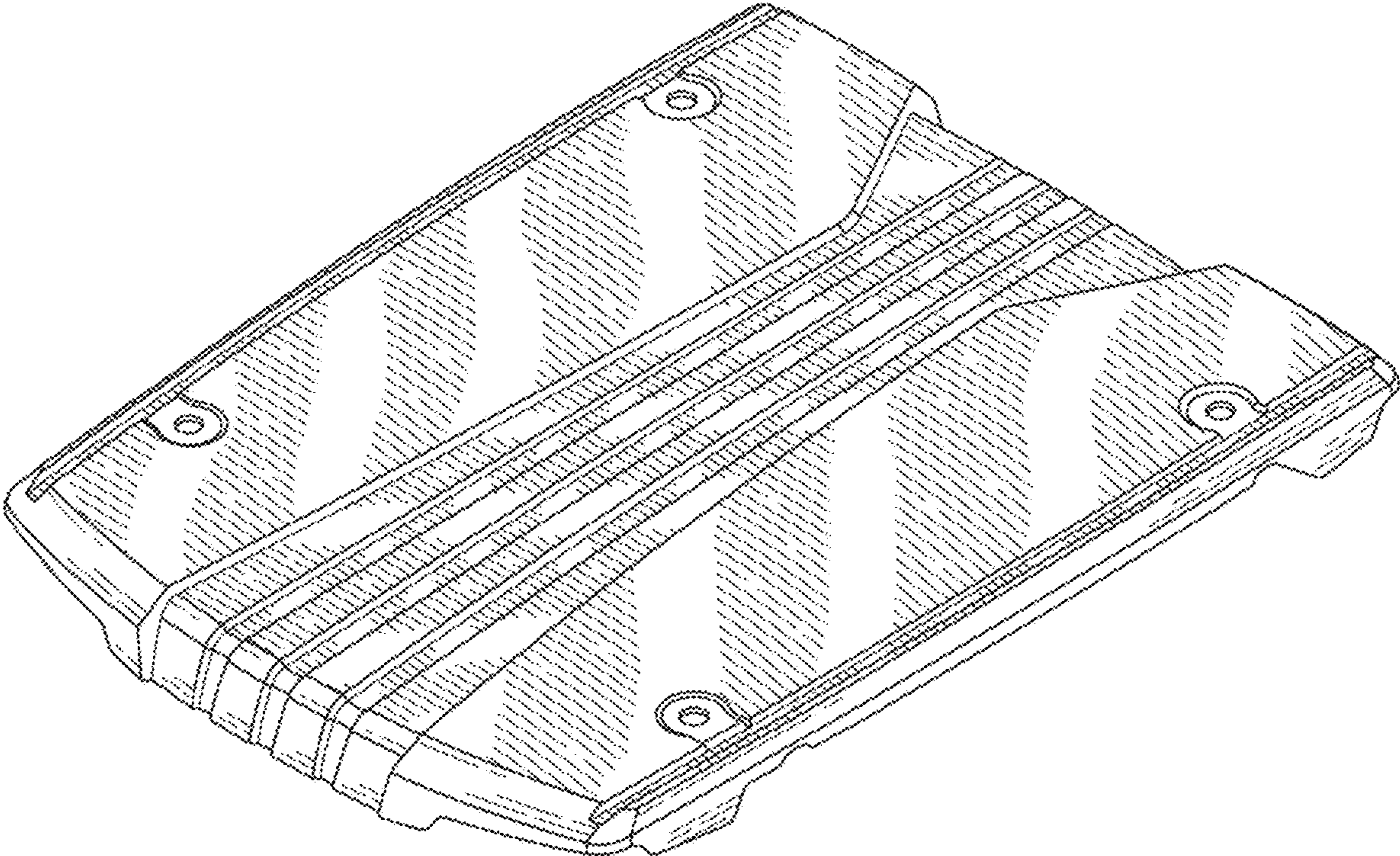


FIG. 8

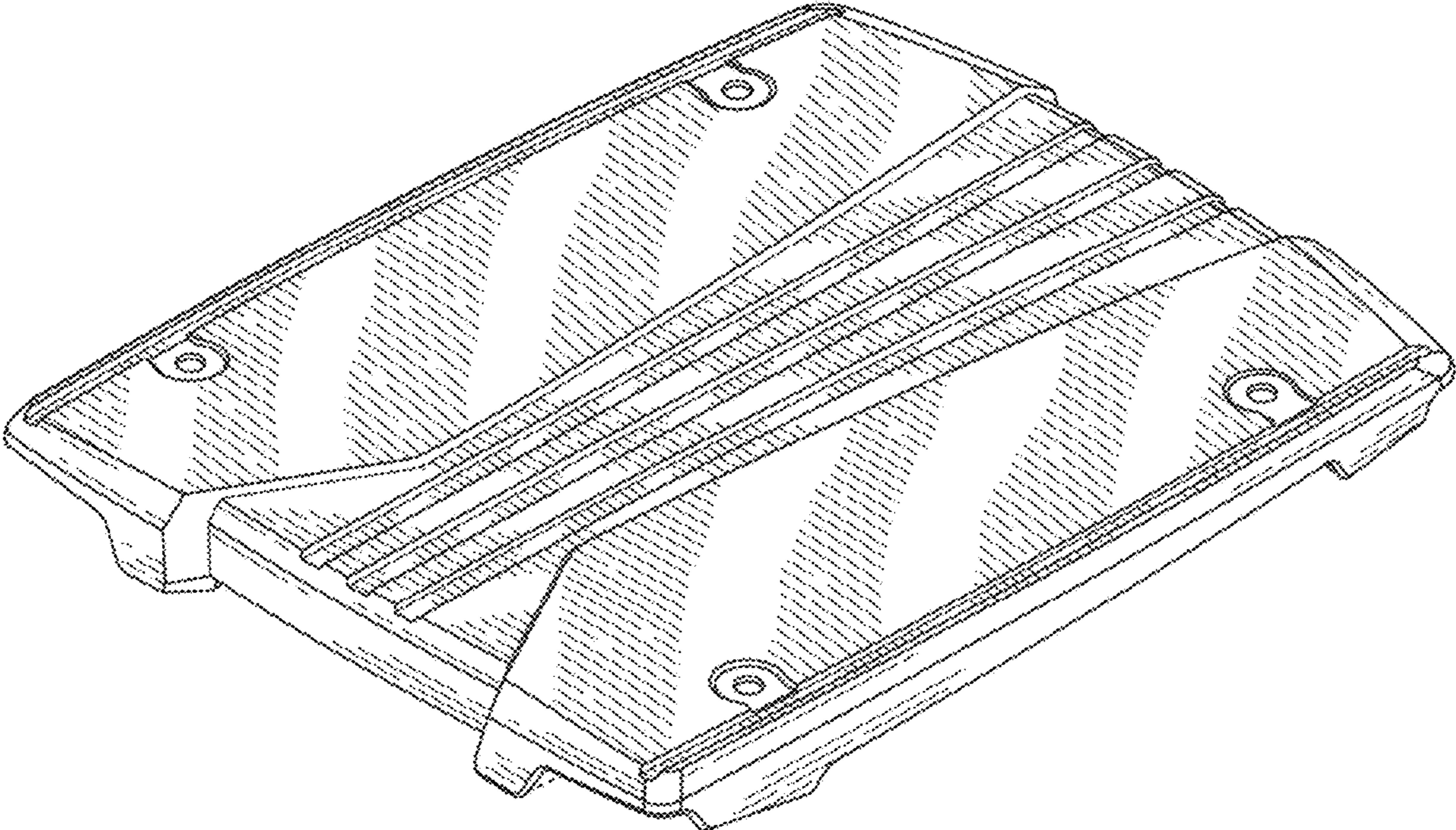


FIG. 9

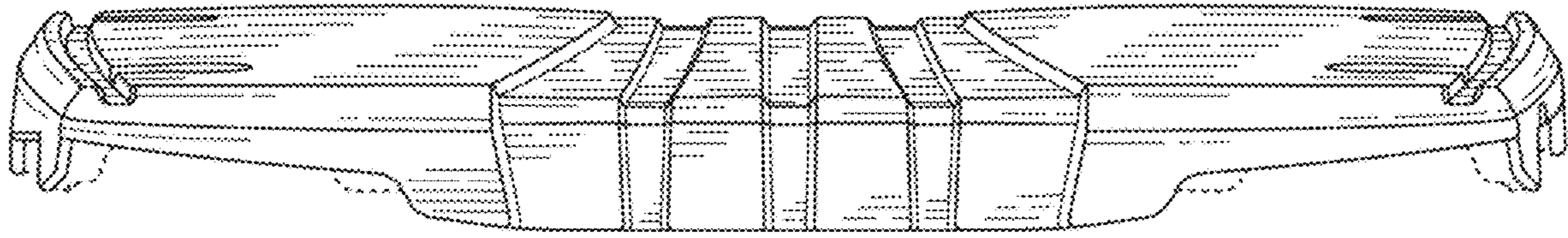


FIG. 10

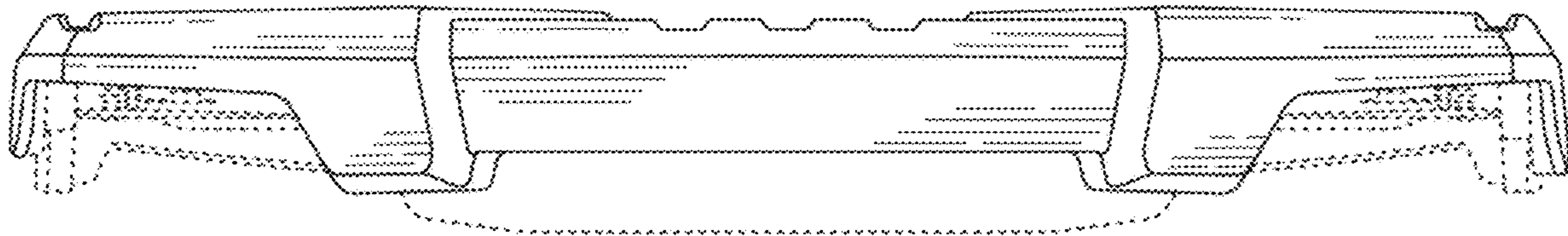


FIG. 11

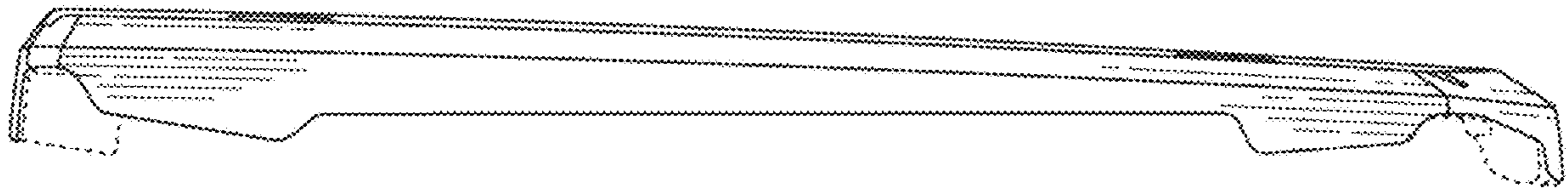


FIG. 12

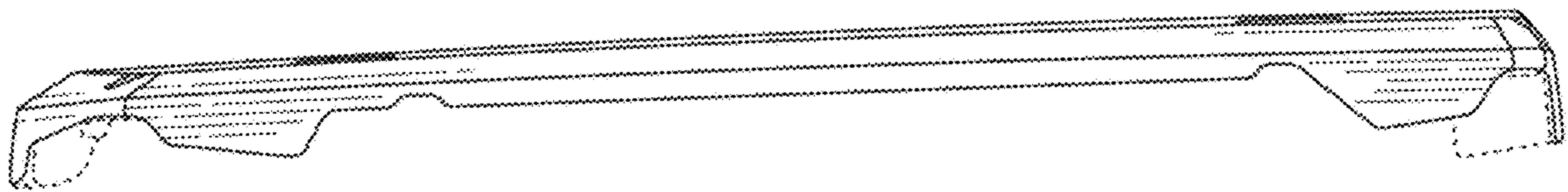


FIG. 13

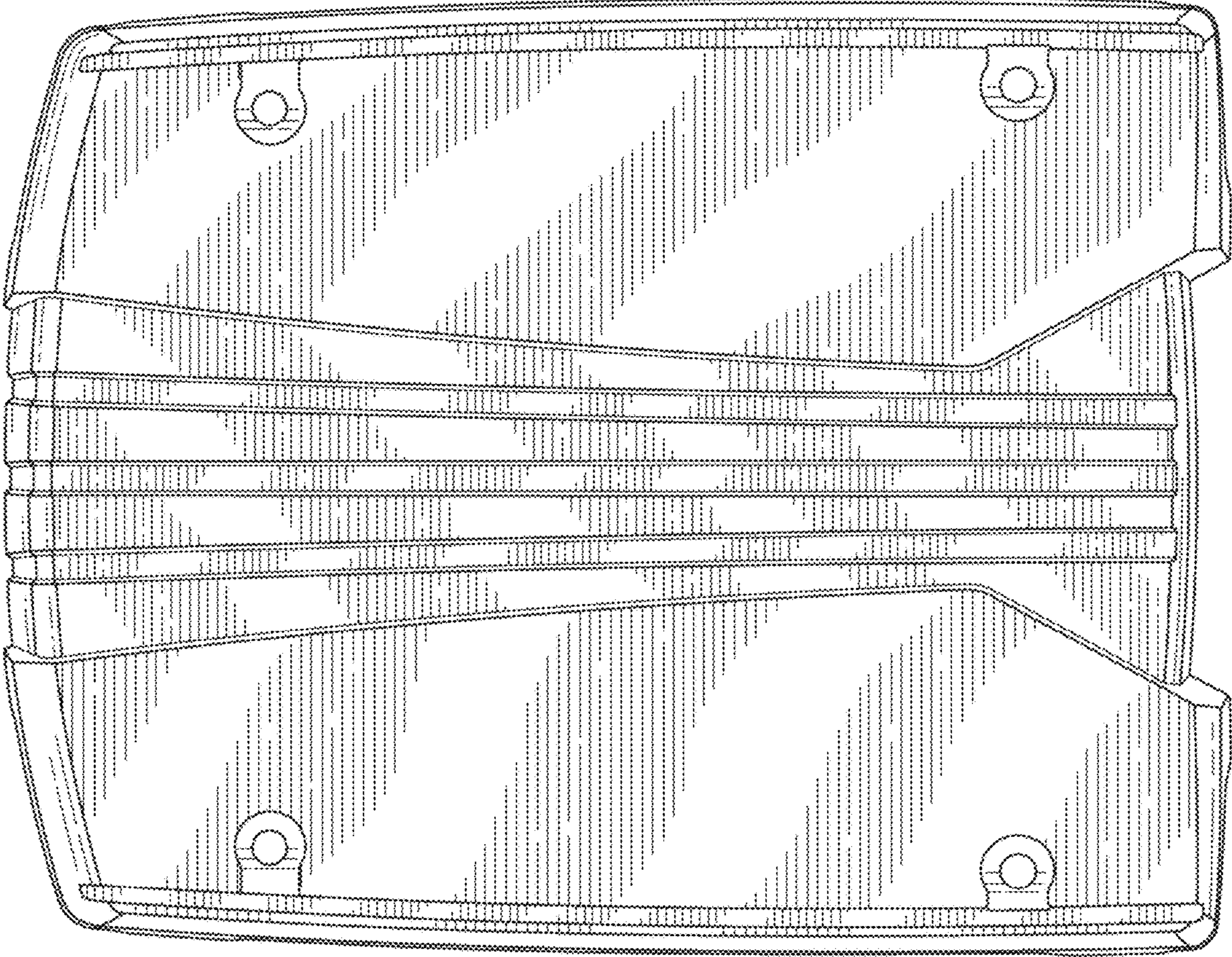


FIG. 14