



US00D921564S

(12) **United States Design Patent** (10) **Patent No.:** **US D921,564 S**
Wolz et al. (45) **Date of Patent:** **** Jun. 8, 2021**

(54) **AIRCRAFT**

(71) Applicant: **Gulfstream Aerospace Corporation,**
Savannah, GA (US)

(72) Inventors: **Robert Wolz,** Savannah, GA (US);
James Scooler, Savannah, GA (US);
Guilherme Oliveira, Savannah, GA
(US); **Jason Merret,** Savannah, GA
(US); **Andre Martins,** Savannah, GA
(US)

(73) Assignee: **Gulfstream Aerospace Corporation,**
Savannah, GA (US)

(**) Term: **14 Years**

(21) Appl. No.: **29/506,140**

(22) Filed: **Oct. 13, 2014**

(51) **LOC (13) Cl.** **12-01**

(52) **U.S. Cl.**
USPC **D12/343**

(58) **Field of Classification Search**
USPC D12/319, 322, 323, 326, 327, 328, 329,
D12/330, 339, 341, 342, 343, 344, 345;
D21/436, 438, 439, 440, 441, 446, 447,
D21/448, 449, 450, 453
CPC B64C 39/00; B64C 30/00; B64C 29/00
See application file for complete search history.

(56) **References Cited**

U.S. PATENT DOCUMENTS

D231,605 S * 5/1974 Frajola D12/337
D259,411 S * 6/1981 Miller et al. D12/341
D326,842 S * 6/1992 Buchsel et al. D12/319
5,729,462 A * 3/1998 Newkirk et al. 700/97
D426,804 S * 6/2000 Birrenbach D12/319
D491,875 S * 6/2004 Eatkins et al. D12/319
D499,688 S * 12/2004 Atkinson et al. D12/319
D500,281 S * 12/2004 Aruga et al. D12/319
D515,012 S * 2/2006 Eatkins et al. D12/319
D515,013 S * 2/2006 Eatkins et al. D12/319
D516,995 S * 3/2006 Eatkins et al. D12/319

D517,467 S * 3/2006 Vigneron et al. D12/319
D529,857 S * 10/2006 Eakins et al. D12/319
D530,658 S * 10/2006 Vigneron et al. D12/319
D531,954 S * 11/2006 Eakins et al. D12/319
D537,029 S * 2/2007 Eakins et al. D12/319
D576,938 S * 9/2008 Moon D12/343
D589,867 S * 4/2009 Chesne et al. D12/343
D598,361 S * 8/2009 Beaunis et al. D12/343
D612,792 S * 3/2010 Guering D12/343
D617,724 S * 6/2010 Saint-Jaimes et al. D12/343

(Continued)

OTHER PUBLICATIONS

Gulfstream G450 on Airliners, dated Jul. 14, 2006. found online
[Mar. 15, 2017] [http://www.airliners.net/photo/Untitled-\(Gulfstream-Aerospace\)/Gulfstream-Aerospace-G-IV-X-Gulfstream-G450/1112332](http://www.airliners.net/photo/Untitled-(Gulfstream-Aerospace)/Gulfstream-Aerospace-G-IV-X-Gulfstream-G450/1112332).*

Business Aircraft Gulfstream G450. dated Jun. 1, 2013. found
online [Mar. 15, 2017] <https://robbreport.com/paid-issue/best-best-2013-business-aircraft-large-gulfstream-g450>.*

(Continued)

Primary Examiner — Marissa J Cash

(74) *Attorney, Agent, or Firm* — LKGlobal | Lorenz &
Kopf, LLP

(57) **CLAIM**

The ornamental design for an aircraft, as shown and
described.

DESCRIPTION

FIG. 1 is a front perspective view of an aircraft showing our
new design;

FIG. 2 is a front view thereof;

FIG. 3 is a back view thereof;

FIG. 4 is a first side view thereof;

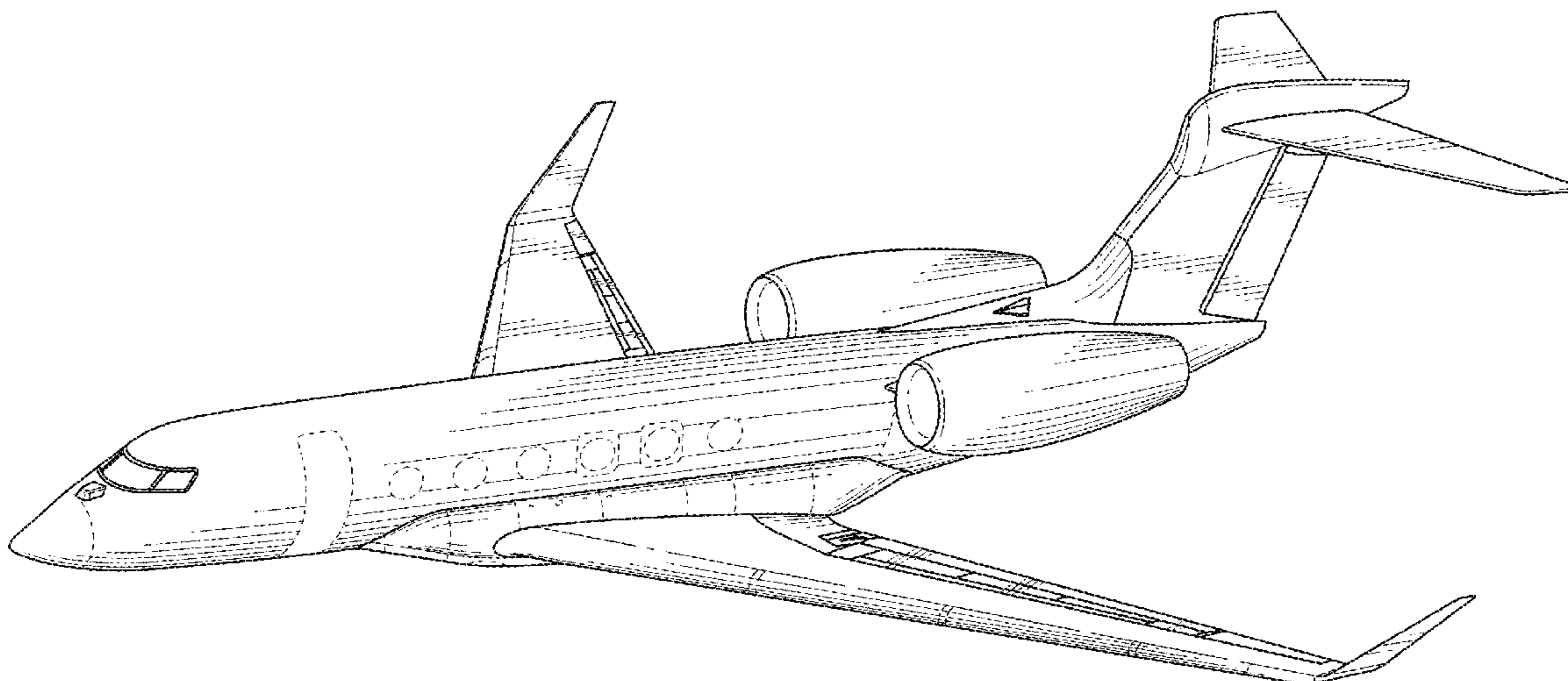
FIG. 5 is a second side view thereof;

FIG. 6 is a top view thereof; and,

FIG. 7 is a bottom view thereof.

The broken lines illustrate environment and structure that
form no part of the claimed design.

1 Claim, 5 Drawing Sheets



(56)

References Cited

U.S. PATENT DOCUMENTS

D619,076 S * 7/2010 Guering D12/343
D624,479 S * 9/2010 Guering D12/343
D624,480 S * 9/2010 Guering D12/343
D629,349 S * 12/2010 Hwang D12/319
D634,696 S * 3/2011 Saint-Jaimes et al. D12/345
D674,734 S * 1/2013 Fujino et al. D12/345
D702,622 S * 4/2014 Klimov et al. D12/319
D706,208 S * 6/2014 Gagnon et al. D12/345
D731,393 S * 6/2015 Schumann et al. D12/345
D731,949 S * 6/2015 Matsuo D12/319
D732,458 S * 6/2015 Dutertre D12/319
D733,029 S * 6/2015 Dutertre D12/319
D733,031 S * 6/2015 Horlin et al. D12/345
2013/0204544 A1 * 8/2013 Thomas 702/41
2015/0206439 A1 * 7/2015 Marsden et al. 701/303

OTHER PUBLICATIONS

Gulfstream Aerospace Corporation, Gulfstream G150 Brochure.
Gulfstream Aerospace Corporation, Gulfstream G150 Fleet Product Specifications.
Gulfstream Aerospace Corporation, Gulfstream G280 Fleet Product Specifications.
Gulfstream Aerospace Corporation, Gulfstream G450 Fleet Product Specifications.
Gulfstream Aerospace Corporation, Gulfstream G550 Fleet Product Specifications.
Gulfstream Aerospace Corporation, Gulfstream G650 Product Brochure.
Gulfstream Aerospace Corporation, Gulfstream G650 Product Specification.
Gulfstream Aerospace Corporation, Gulfstream G650ER Product Specification.

* cited by examiner

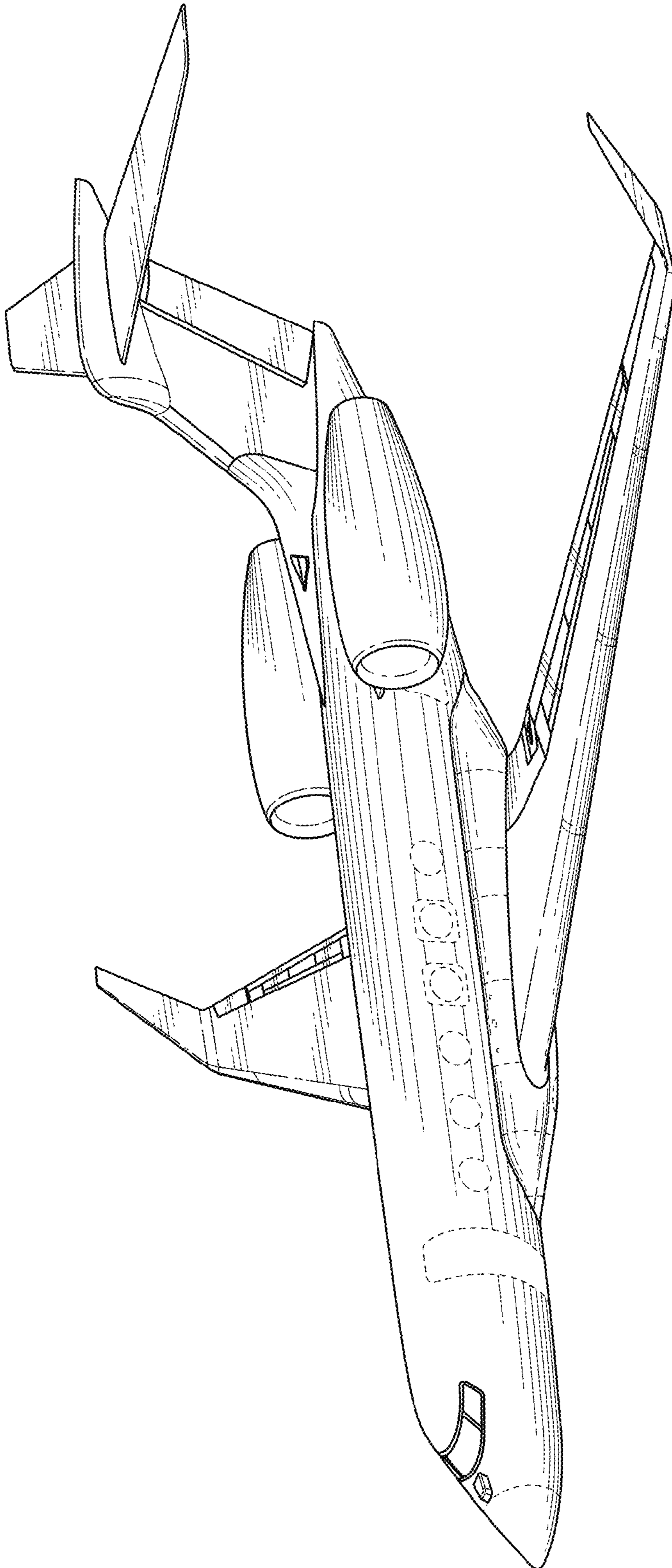


FIG. 1

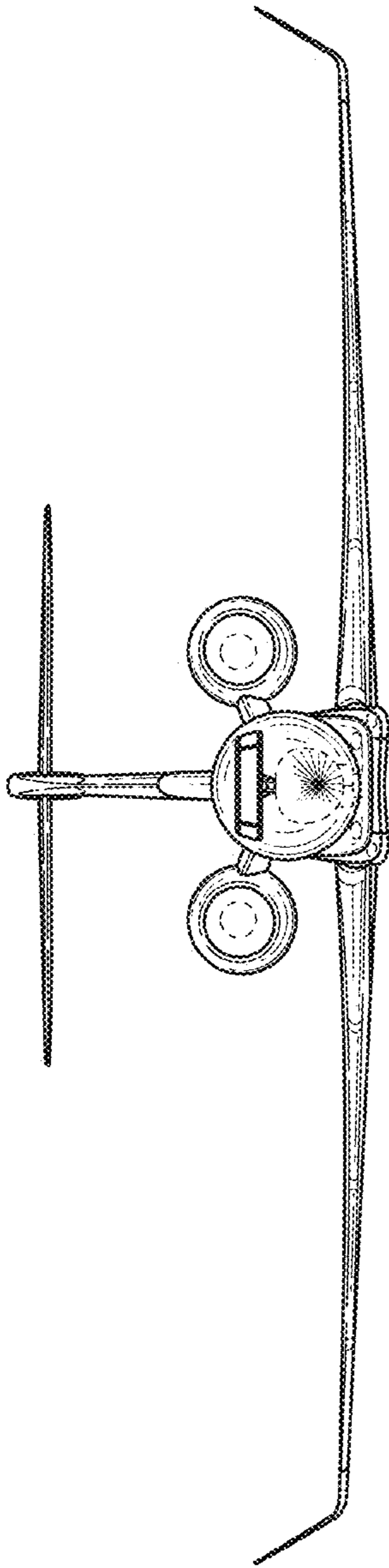


FIG. 2

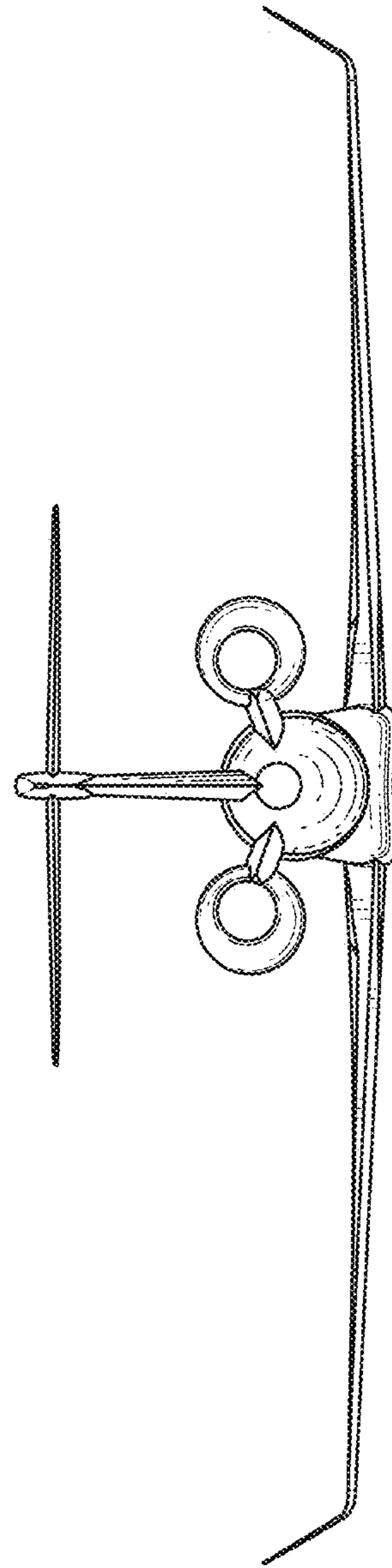


FIG. 3

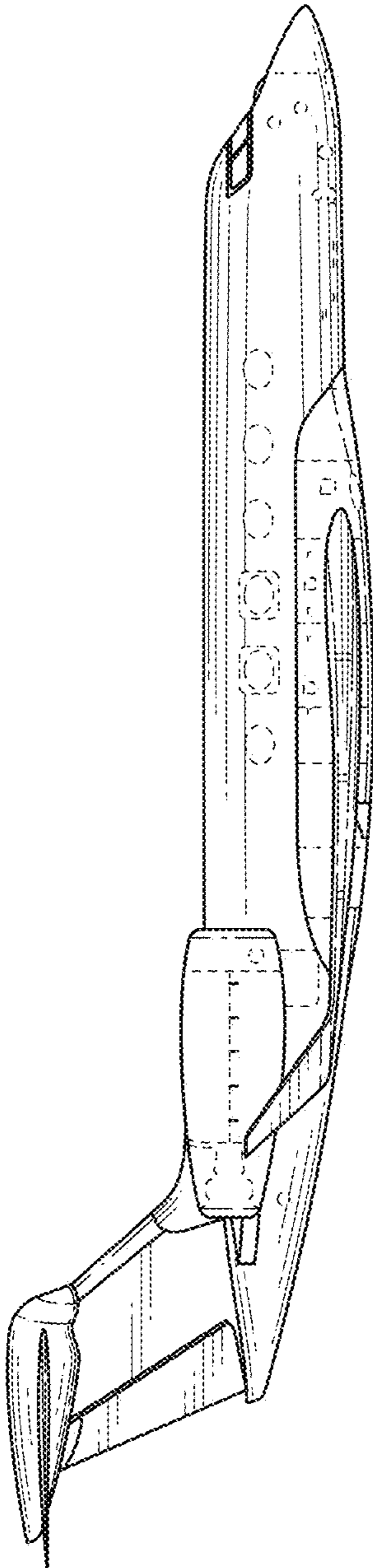


FIG. 4

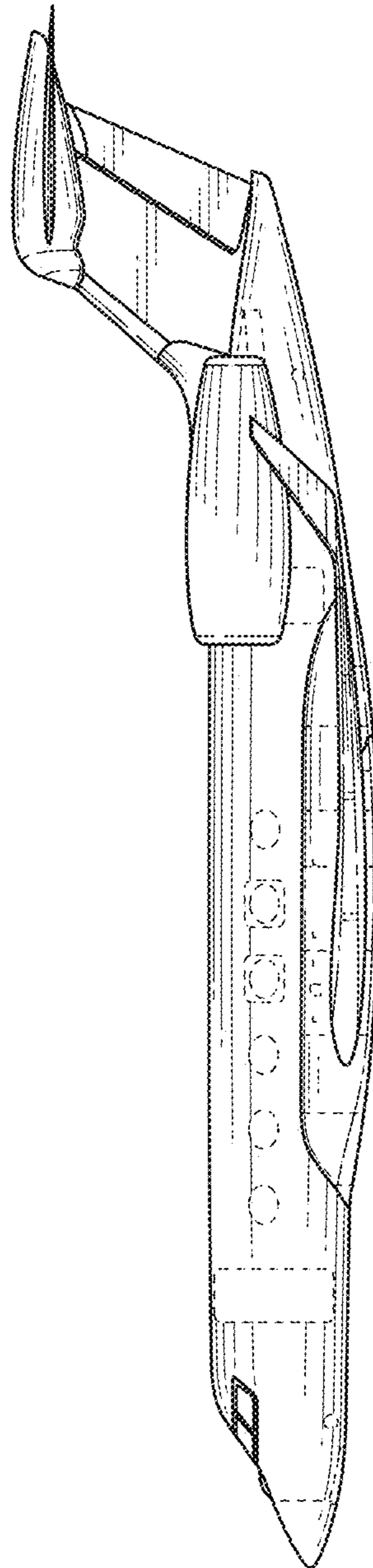


FIG. 5

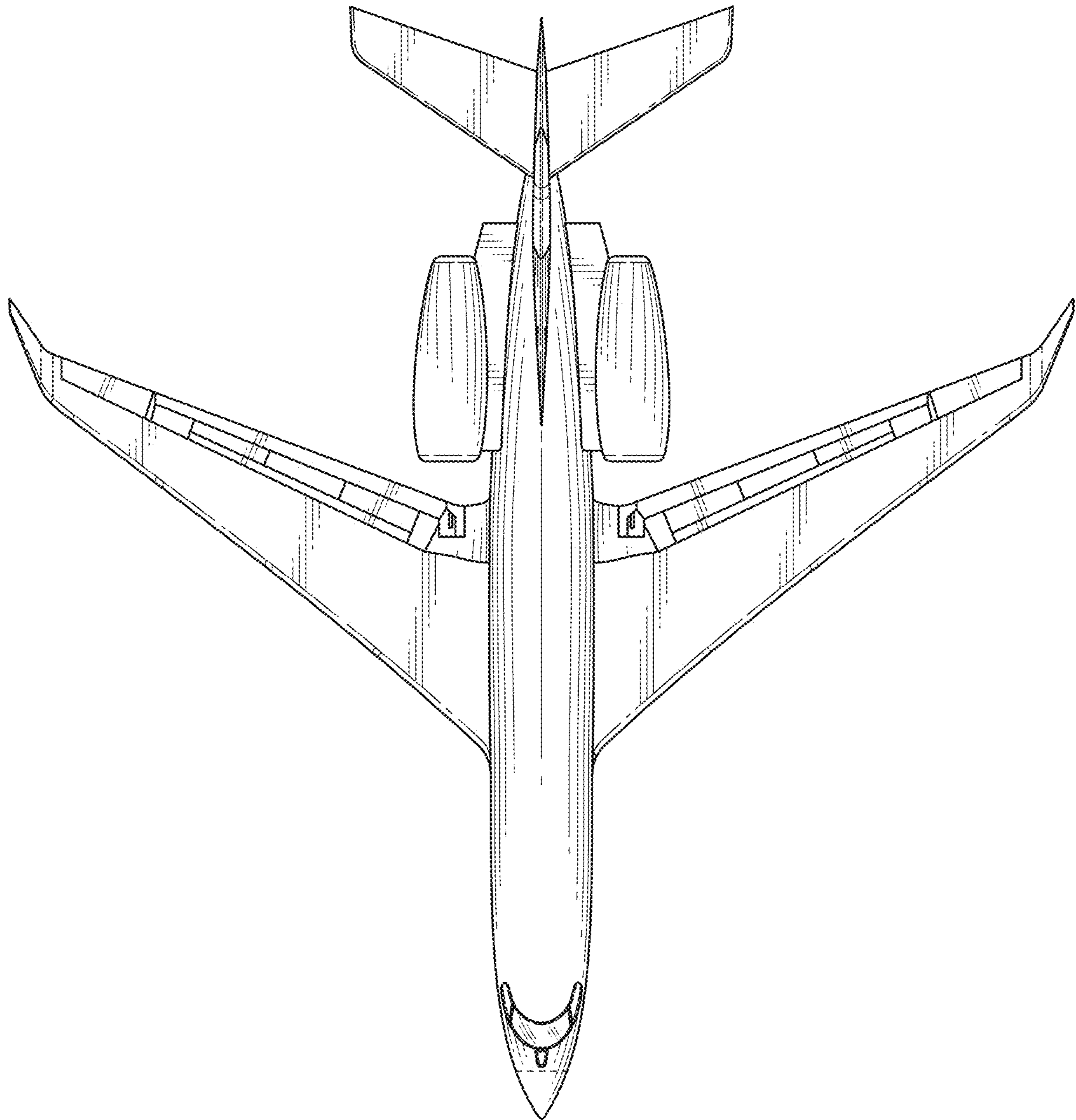


FIG. 6

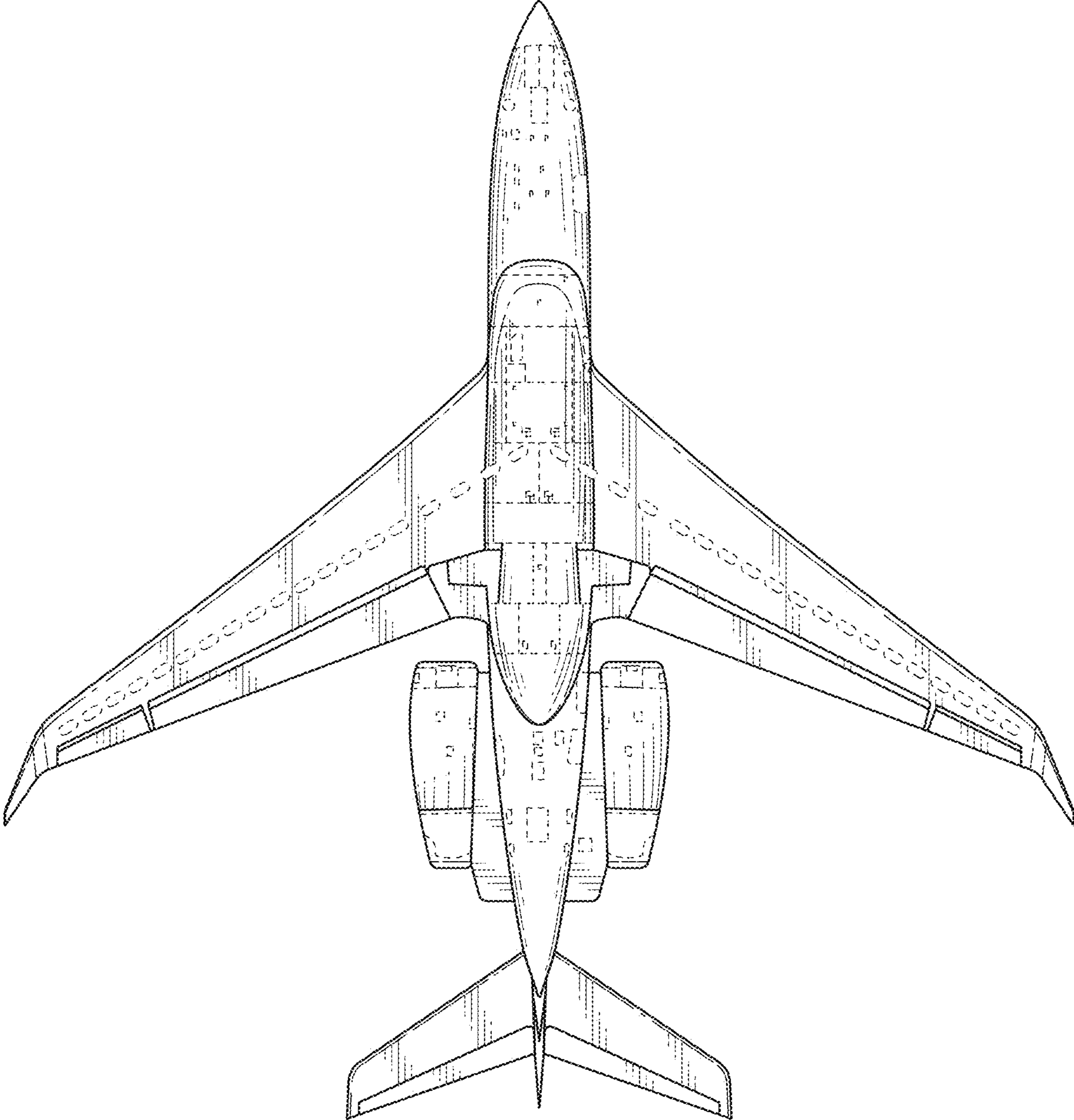


FIG. 7