



US00D921563S

(12) **United States Design Patent** (10) **Patent No.:** **US D921,563 S**
Zhang et al. (45) **Date of Patent:** **** Jun. 8, 2021**

(54) **SINGLE HANDLE FOR SINGLE CYLINDER UNDERWATER PROPELLER**
(71) Applicant: **Shenzhen Lefcet Innovation Technology Co., Ltd., Shenzhen (CN)**
(72) Inventors: **Dongjian Zhang, Shenzhen (CN); Ding Li, Shenzhen (CN)**
(73) Assignee: **SHENZHEN LEFEET INNOVATION TECHNOLOGY CO., LTD., Shenzhen (CN)**

D338,144 S * 8/1993 Albert D8/61
D339,045 S * 9/1993 Staubitz D8/61
D350,884 S * 9/1994 Sperling D8/30
D389,706 S * 1/1998 Haberlein D8/70
D487,216 S * 3/2004 Arvidsson D8/61
D534,413 S * 1/2007 Higashi D8/303
D541,490 S * 4/2007 Madson D30/156
D554,201 S * 10/2007 Vetuskey D21/454
D831,099 S * 10/2018 Paterson D16/243
D864,511 S * 10/2019 Harrington D32/50
D872,403 S * 1/2020 Harrington B65D 47/06
D32/45

(**) Term: **15 Years**
(21) Appl. No.: **29/713,181**
(22) Filed: **Nov. 14, 2019**
(51) **LOC (13) Cl.** **12-06**
(52) **U.S. Cl.**
USPC **D12/317**
(58) **Field of Classification Search**
USPC D12/114, 117, 118, 133, 174, 178, 179,
D12/223, 300, 305, 308, 309, 316, 317,
D12/318, 400, 407, 409, 410, 411, 415,
D12/417, 418; D21/542, 545, 769, 770,
D21/771, 801, 803, 804, 810; D16/242,
D16/243; D7/393, 394; D13/174; D8/8,
D8/25, 30, 61, 70, 83, 107, 303, 307,
D8/308, 315, 316, 319, 322, 323, 331,
D8/349, 354, 356
CPC B63G 8/00; B63G 8/001; B63G 8/002;
B63G 8/08; A63B 35/00; A63B 35/08;
A63B 35/10; A63B 35/12; B63B 32/10;
B63C 11/02; B63C 11/46; B63C
2011/028; B63C 11/00; B63C 11/40;
B63C 11/42; B63H 7/02; B63H 21/17
See application file for complete search history.

(56) **References Cited**
U.S. PATENT DOCUMENTS
D274,122 S * 6/1984 Stahel D8/303
D297,906 S * 10/1988 Abelsson D12/179

OTHER PUBLICATIONS

Lefcet S1, Published date unavailable [online], [retrieved on Feb. 25, 2021]. Retrieved from the Internet: <https://www.lefcet.com/products/lefcet-s1-the-most-powerful-sea-scooter> (Year: 2021).*

* cited by examiner

Primary Examiner — Christian P. McLean
Assistant Examiner — Adam C Mager
(74) *Attorney, Agent, or Firm* — IPro, PLLC

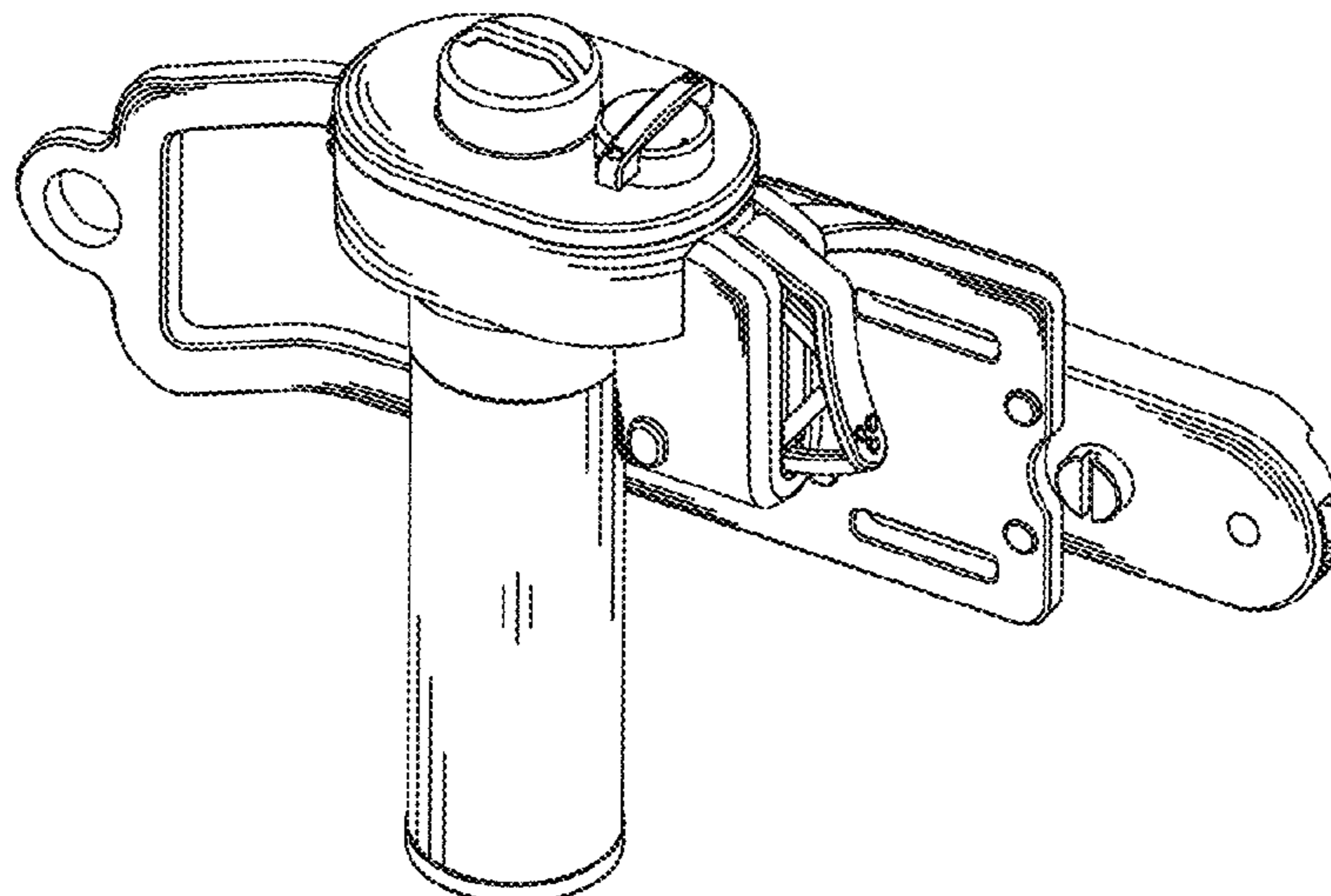
(57) **CLAIM**

The ornamental design for a single handle for single cylinder underwater propeller, as shown and described.

DESCRIPTION

FIG. 1 is a perspective view of a single handle for single cylinder underwater propeller embodying the new design; FIG. 2 is a front view thereof; FIG. 3 is a back view thereof; FIG. 4 is a side view thereof; FIG. 5 is another side view thereof; FIG. 6 is a top view thereof; and, FIG. 7 is a bottom view thereof.

1 Claim, 7 Drawing Sheets



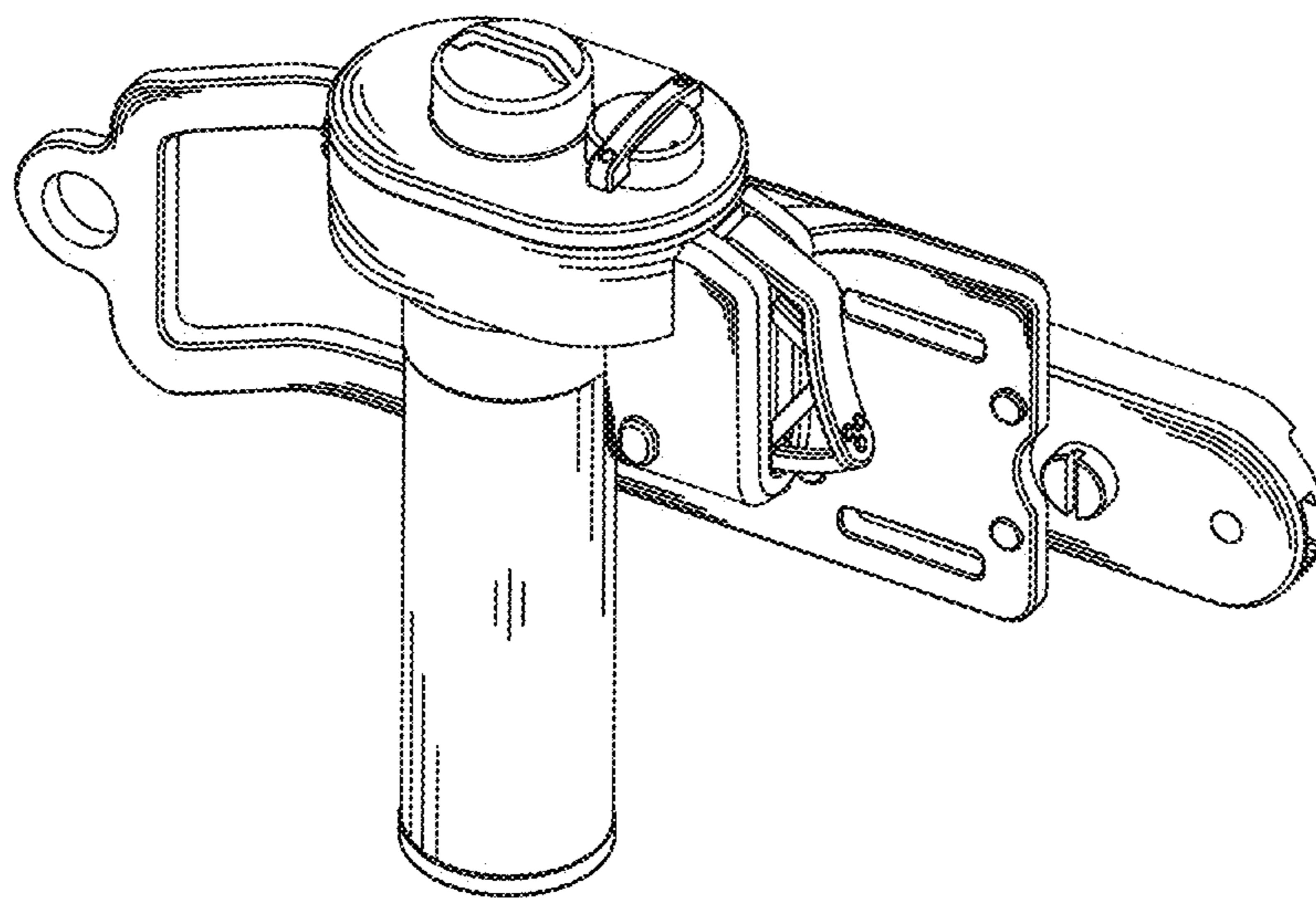


FIG. 1

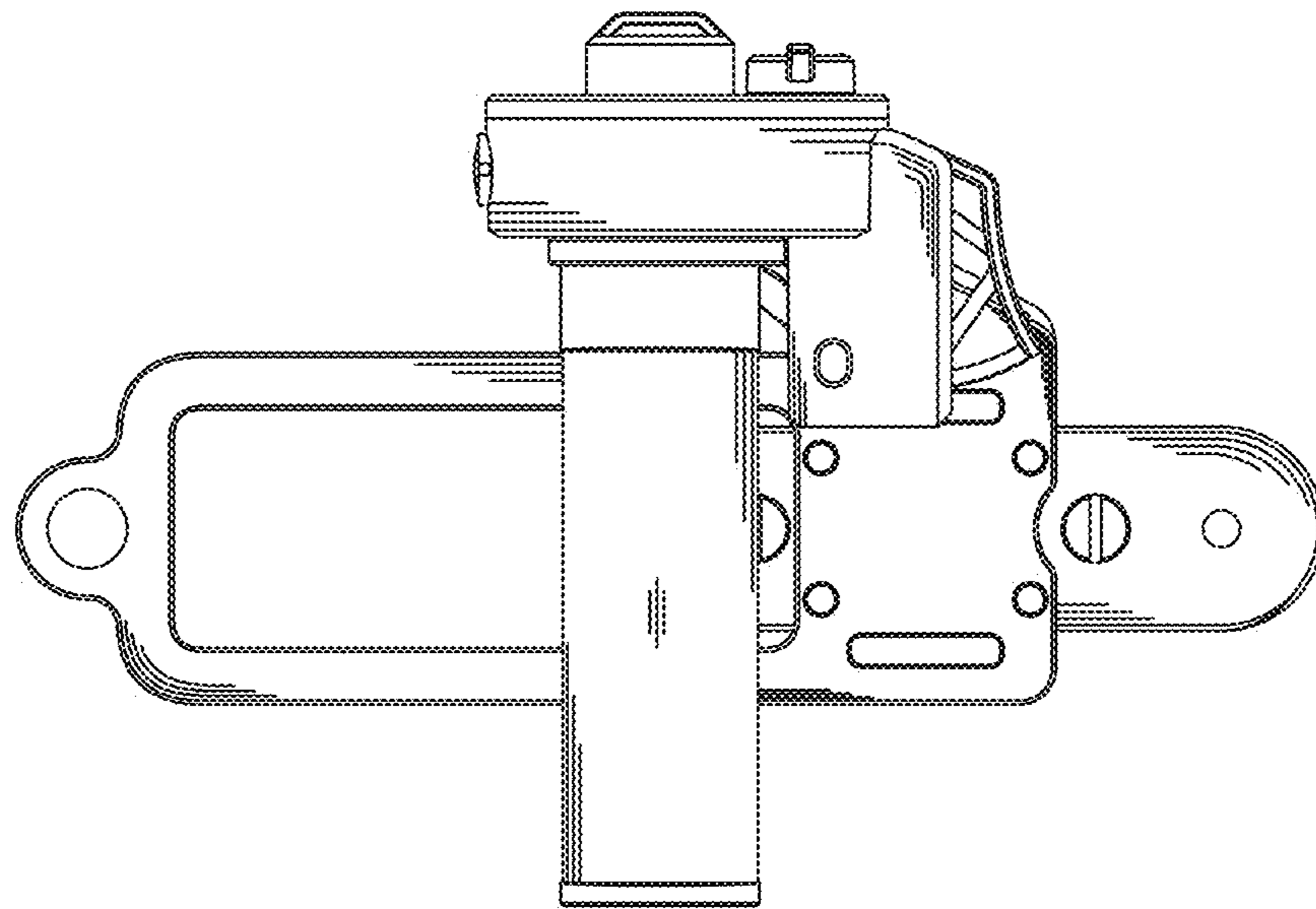


FIG. 2

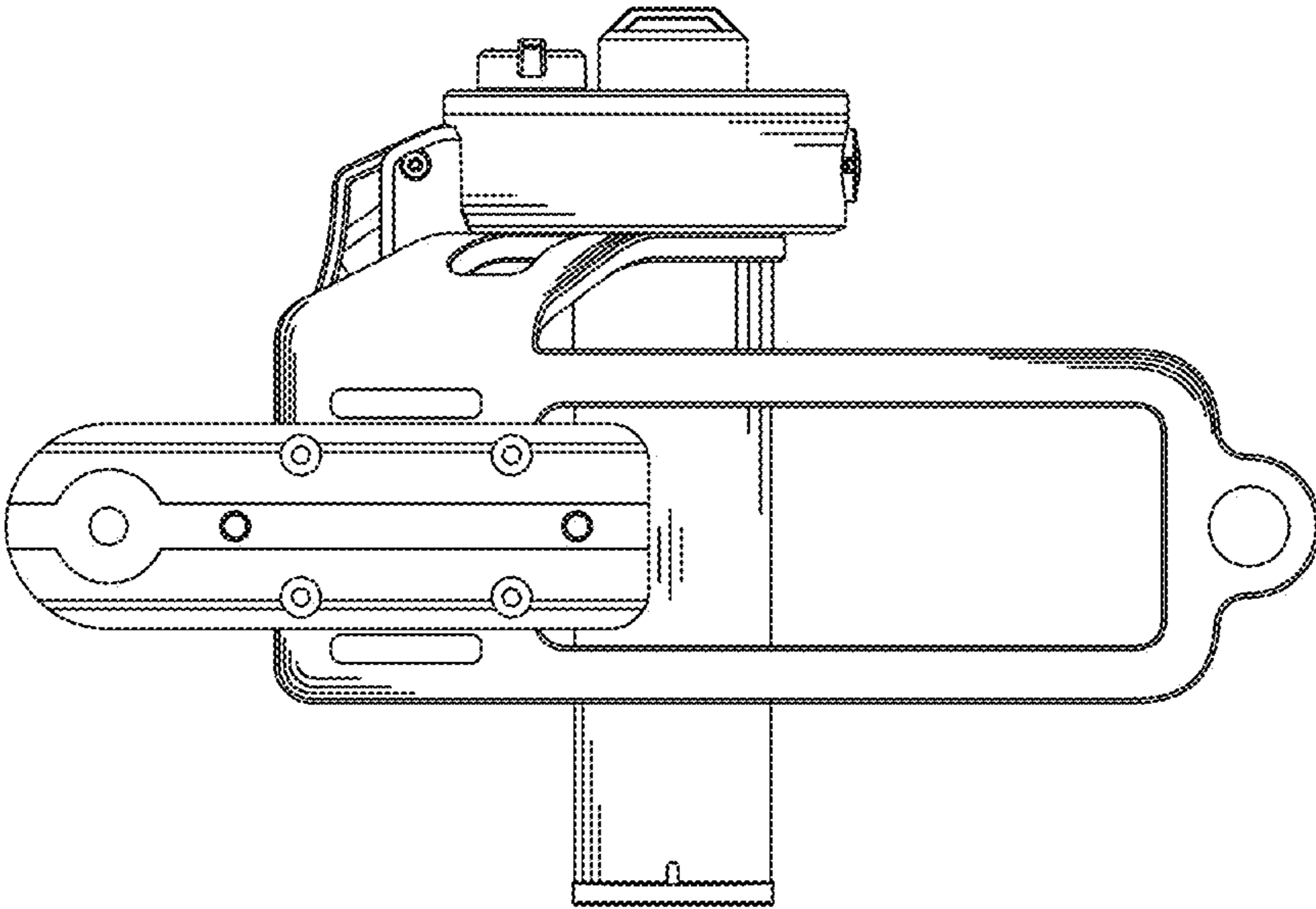


FIG. 3

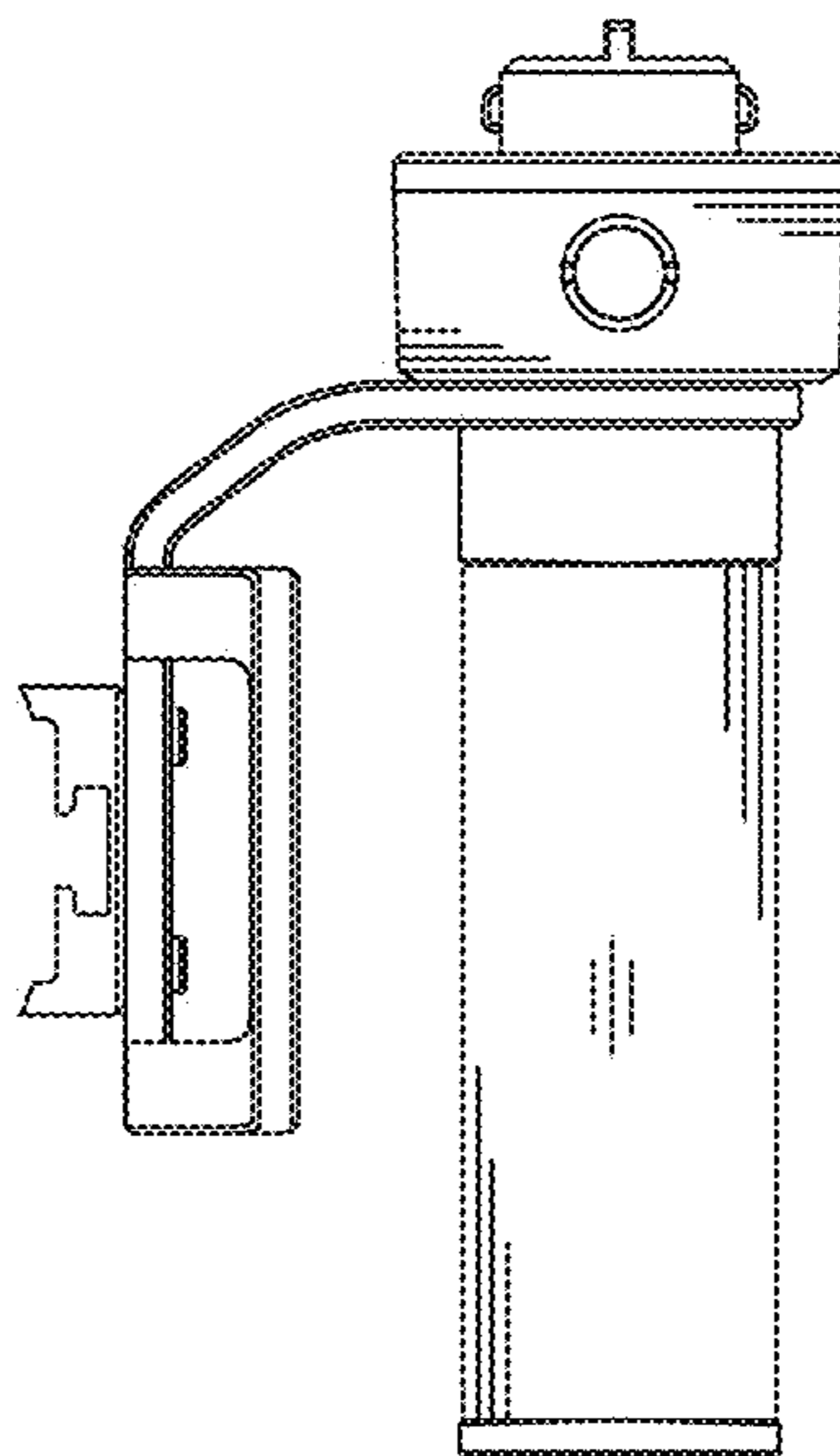


FIG. 4

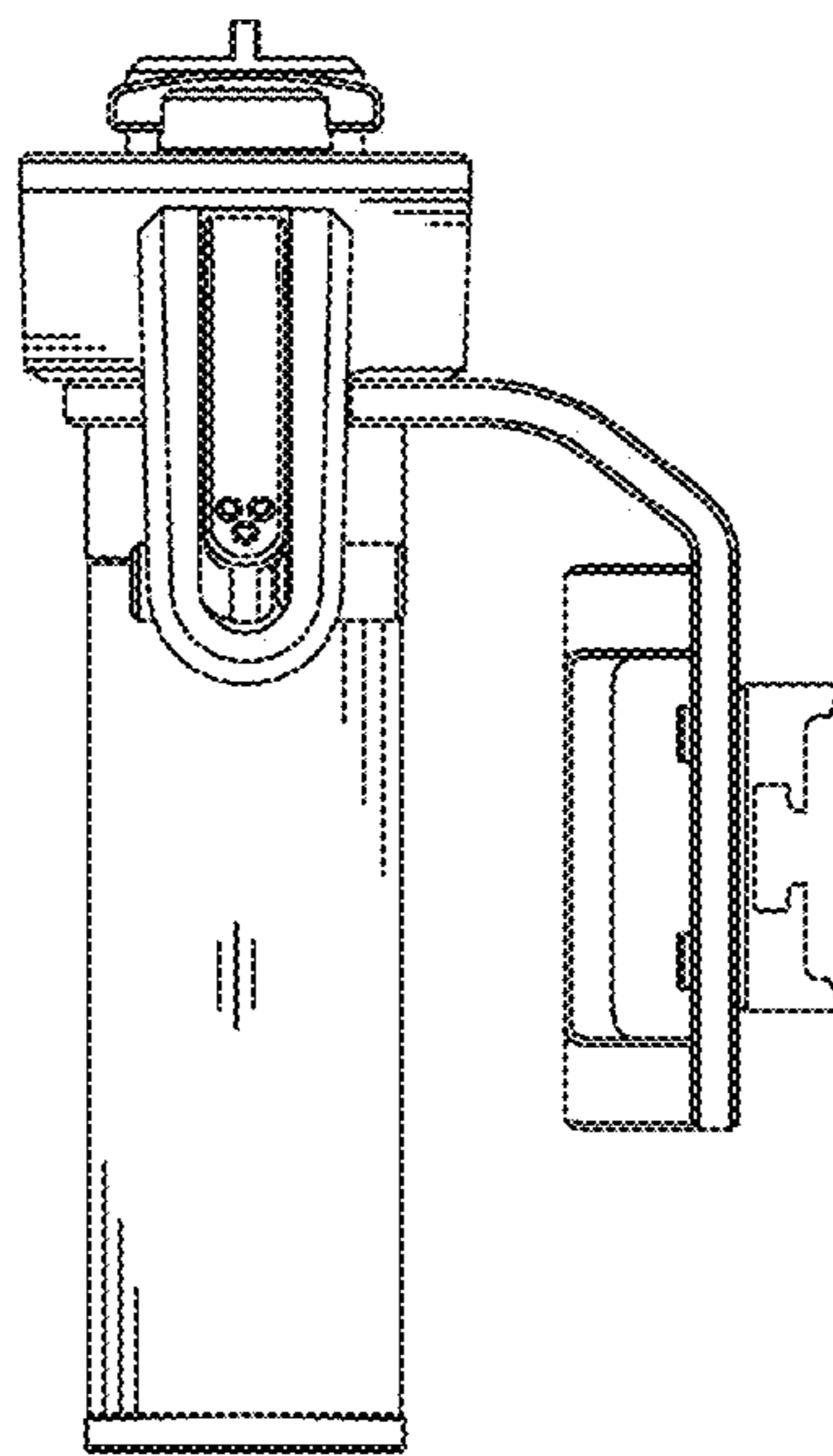


FIG. 5

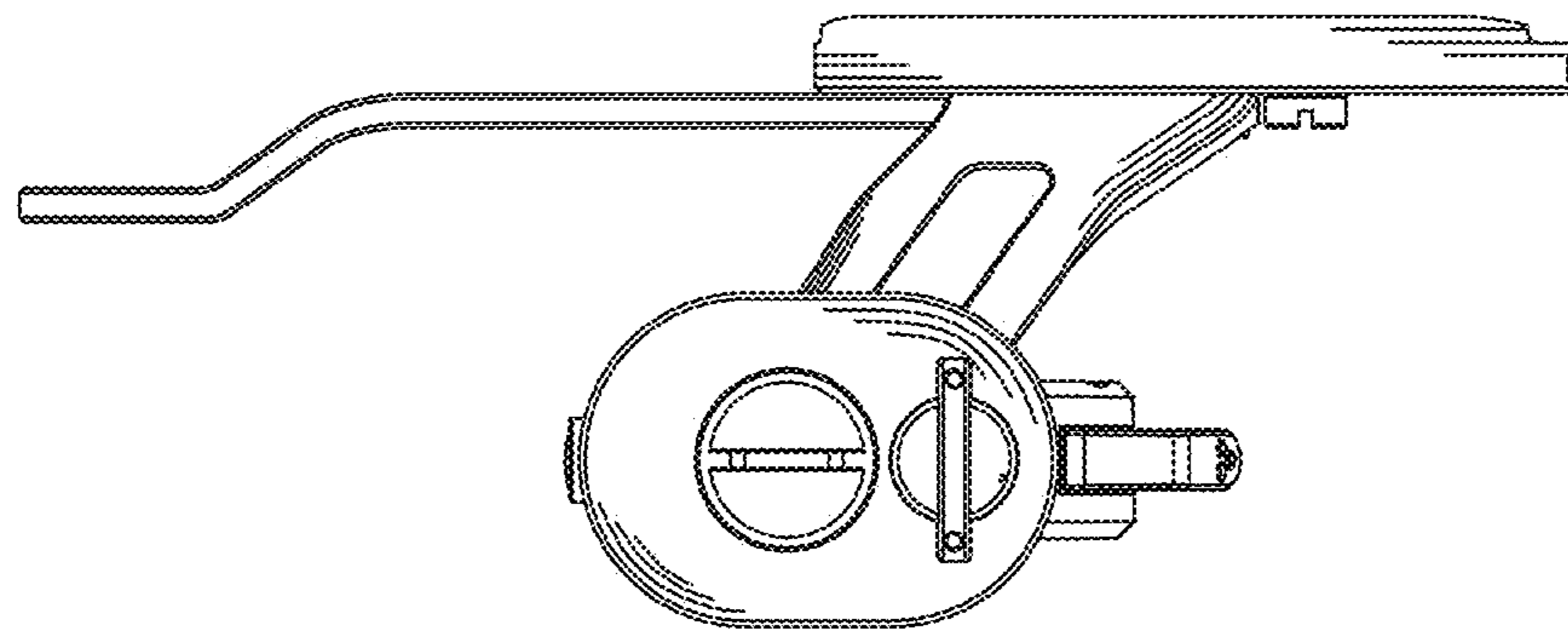


FIG. 6

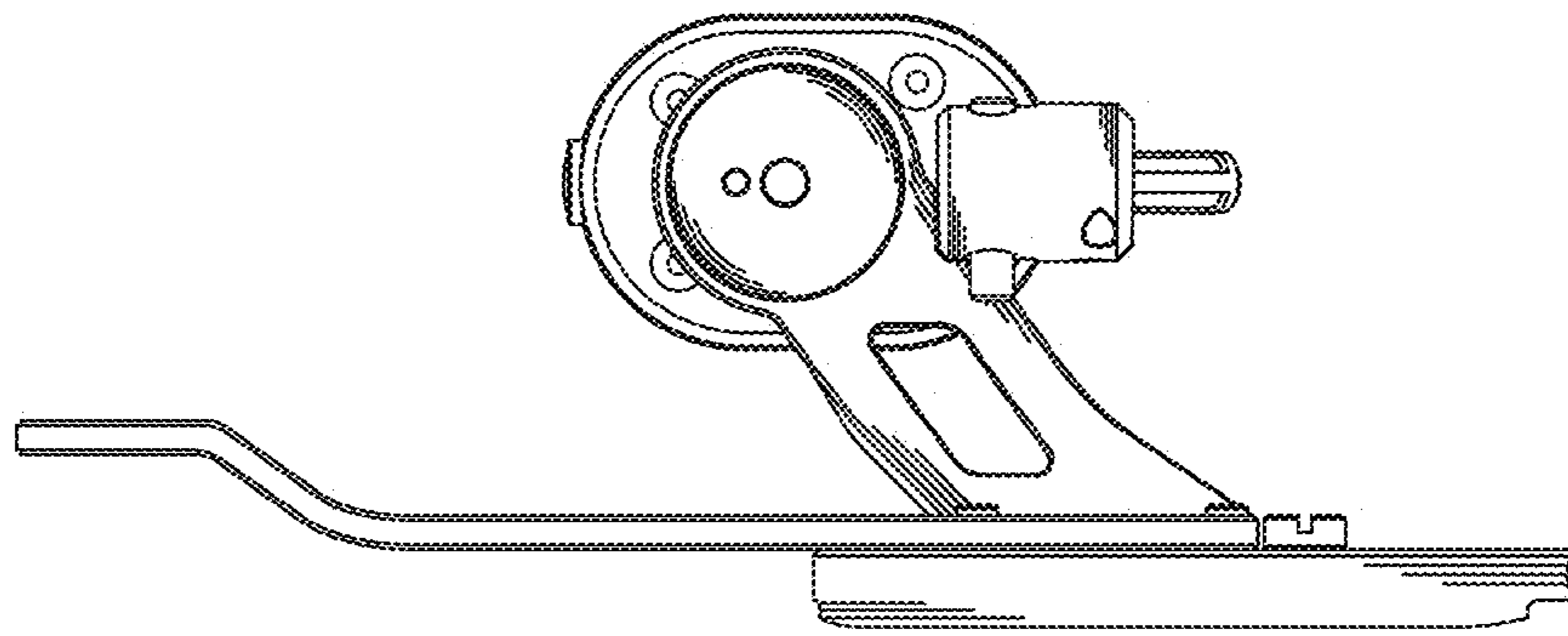


FIG. 7