



US00D921561S

(12) **United States Design Patent** (10) **Patent No.:** **US D921,561 S**
Zhang et al. (45) **Date of Patent:** **** Jun. 8, 2021**

(54) **SINGLE CYLINDER SINGLE HANDLE UNDERWATER PROPELLER**

2015/0224366 A1* 8/2015 Melendez A63B 35/12
440/6
2015/0336650 A1* 11/2015 Fenu B63H 25/02
114/315
2019/0315446 A1* 10/2019 Ito B63G 8/16

(71) Applicant: **Shenzhen Lefeet Innovation Technology Co., Ltd., Shenzhen (CN)**

(72) Inventors: **Dongjian Zhang, Shenzhen (CN); Ding Li, Shenzhen (CN)**

(73) Assignee: **SHENZHEN LEFEET INNOVATION TECHNOLOGY CO., LTD., Shenzhen (CN)**

FOREIGN PATENT DOCUMENTS

CN 111734550 A * 10/2020
EP 3495025 A1 * 6/2019 A63B 35/00
GB 1286145 A * 8/1972 A63B 35/12
WO WO-2019088641 A1 * 5/2019 B63C 11/46
WO WO-2019134299 A1 * 7/2019 B63C 11/02

(**) Term: **15 Years**

(21) Appl. No.: **29/713,179**

(22) Filed: **Nov. 14, 2019**

(51) **LOC (13) Cl.** **12-06**

(52) **U.S. Cl.**
USPC **D12/308**

(58) **Field of Classification Search**
USPC D12/3, 214, 223, 300, 305, 308, 309,
D12/316, 317, 400; D21/542, 545, 769,
D21/770, 771, 801, 803, 804, 810
CPC ... B63G 8/00; B63G 8/40; B63G 8/42; B63G
8/46; B63G 8/001; B63G 8/002; B63G
8/08; A63B 35/00; A63B 35/08; A63B
35/10; A63B 35/12; B63B 32/10; B63C
11/02; B63C 11/46; B63C 2011/028;
B63H 7/02; B63H 21/17

See application file for complete search history.

(56) **References Cited**

U.S. PATENT DOCUMENTS

D220,926 S * 6/1971 Peroni D12/308
3,789,788 A * 2/1974 Peroni A63B 35/12
114/315
10,308,336 B1 * 6/2019 Vermeulen B63B 32/10
10,835,784 B1 * 11/2020 Williams A63B 35/12

OTHER PUBLICATIONS

Single grip rail kit for Lefeet S1, Published date unavailable [online], [retrieved on Feb. 23, 2021], Retrieved from the Internet: <https://move-sea.com/es/products/single-grip-rail-kit-for-lefeet-s1-lefeet-848033> (Year: 2021).*
Lefeet S1 Intro Video, Published on Jun. 6, 2019 [online], [retrieved on Feb. 23, 2021], Retrieved from the Internet: <https://www.youtube.com/watch?v=LD4tW-T-KY8> (Year: 2019).*

* cited by examiner

Primary Examiner — Christian P. McLean
Assistant Examiner — Adam C Mager
(74) *Attorney, Agent, or Firm* — IPro, PLLC

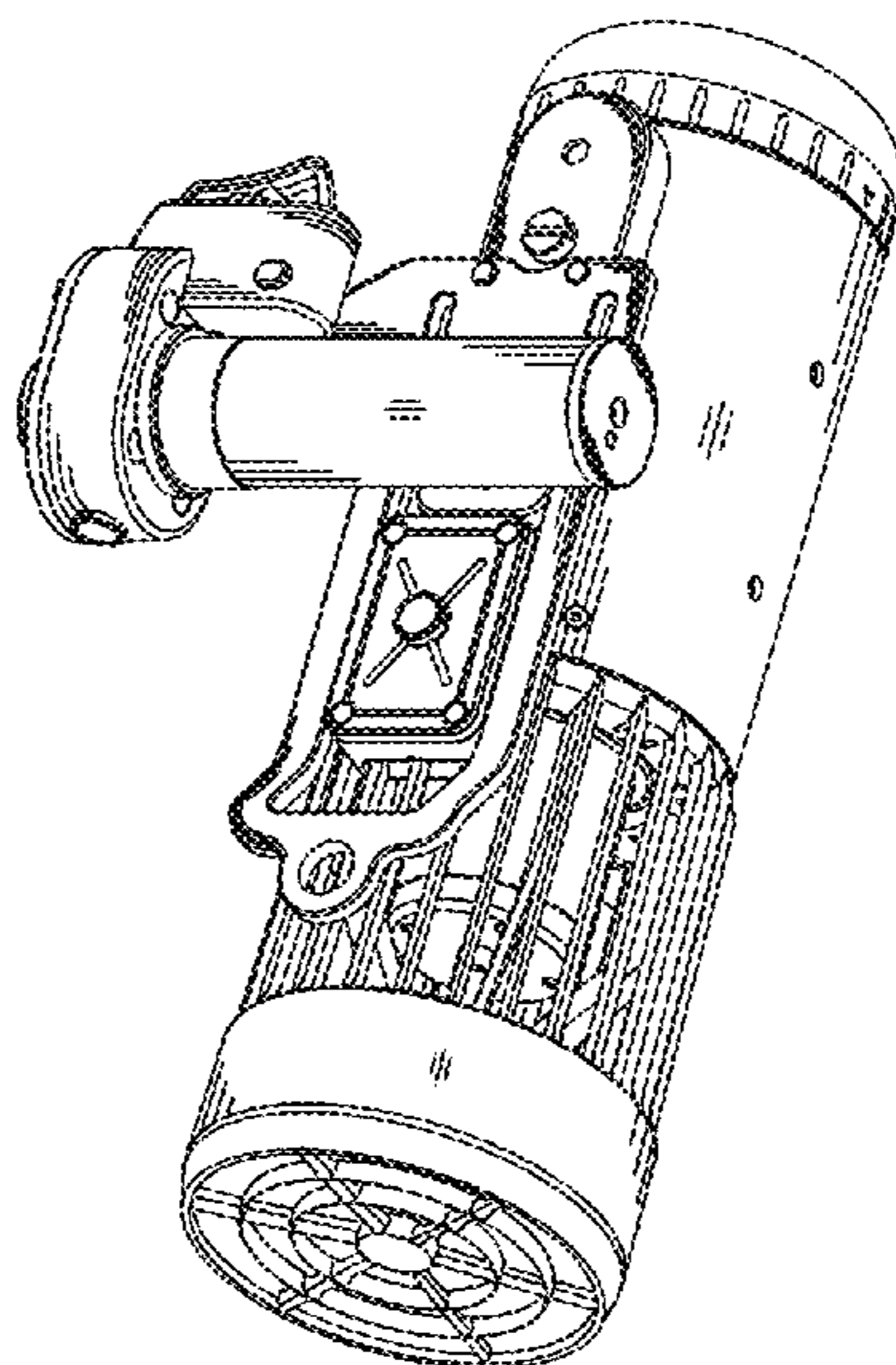
(57) **CLAIM**

The ornamental design for a single cylinder single handle underwater propeller, as shown and described.

DESCRIPTION

FIG. 1 is a perspective view of a single cylinder single handle underwater propeller embodying the new design; FIG. 2 is a front view thereof; FIG. 3 is a back view thereof; FIG. 4 is a side view thereof; FIG. 5 is another side view thereof; FIG. 6 is a top view thereof; and, FIG. 7 is a bottom view thereof.

1 Claim, 7 Drawing Sheets



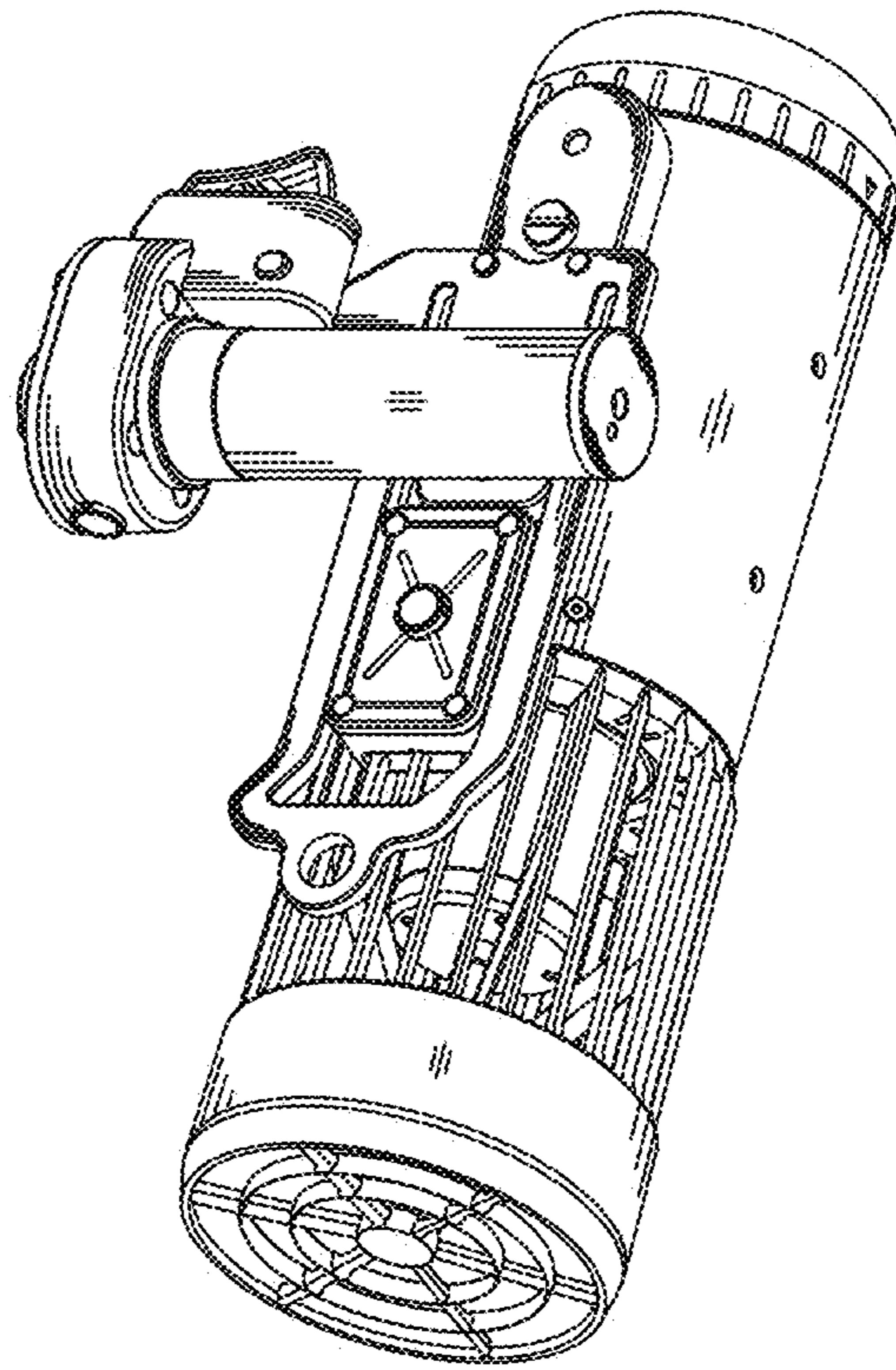


FIG. 1

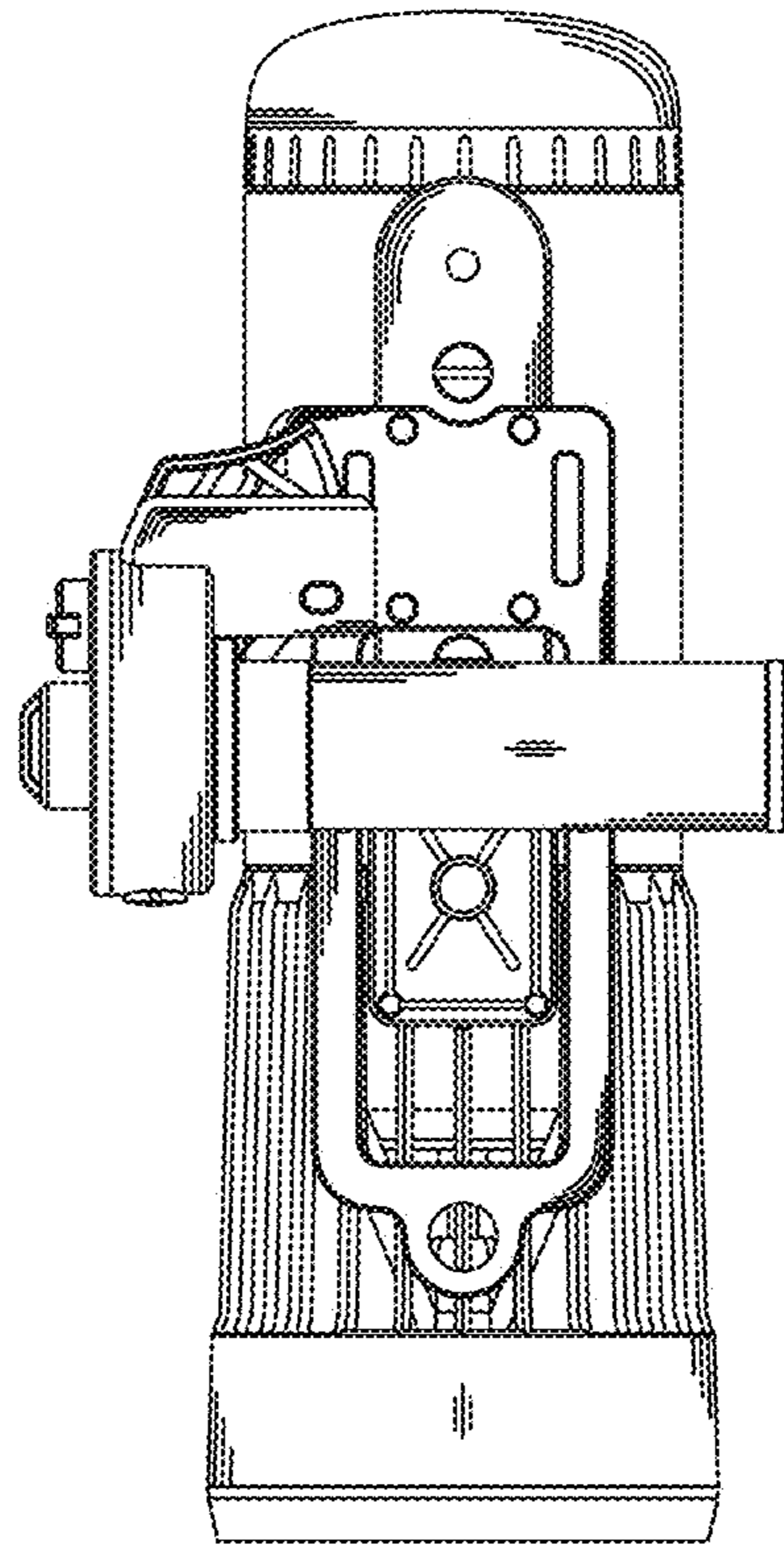


FIG. 2

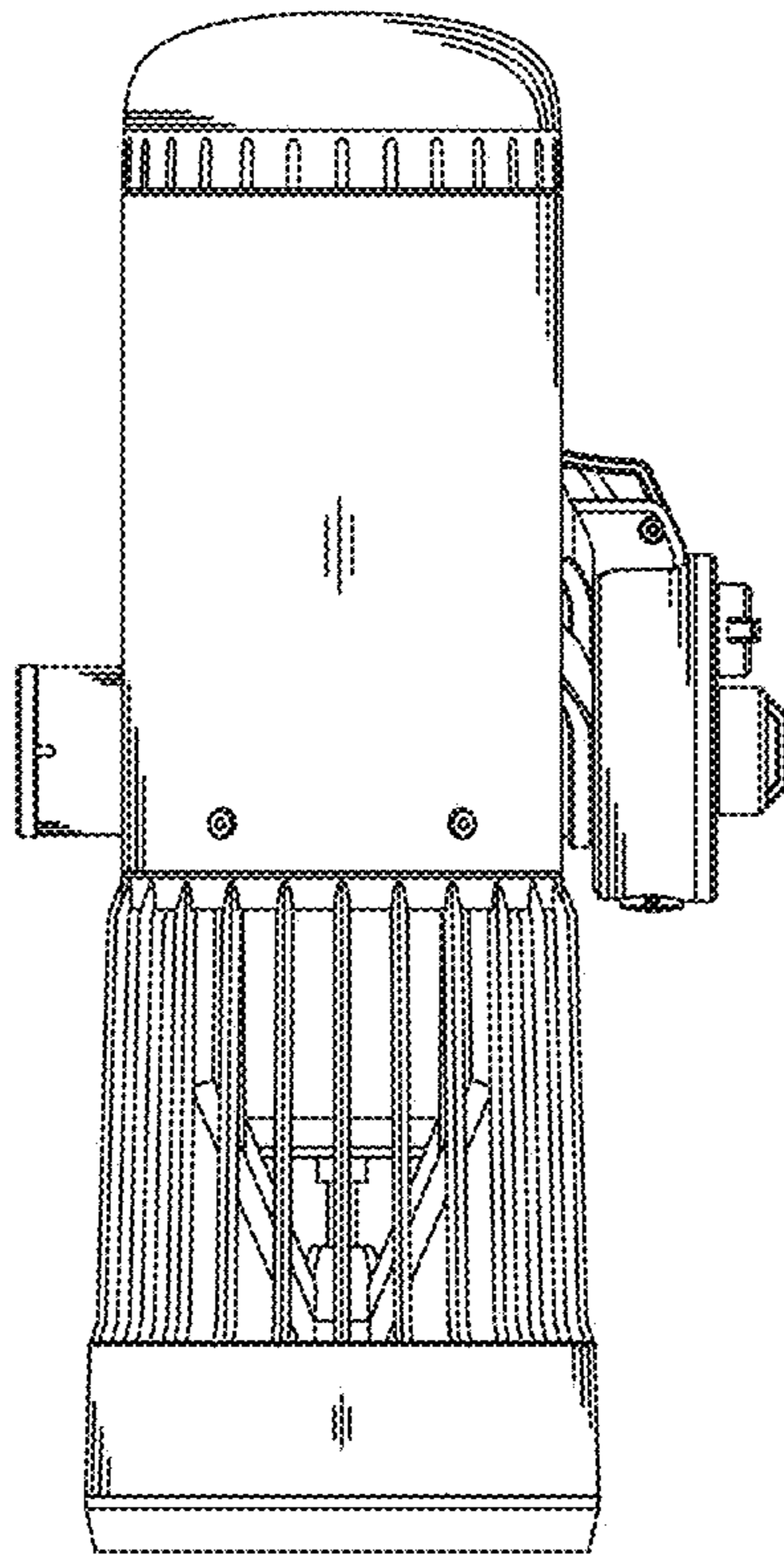


FIG. 3

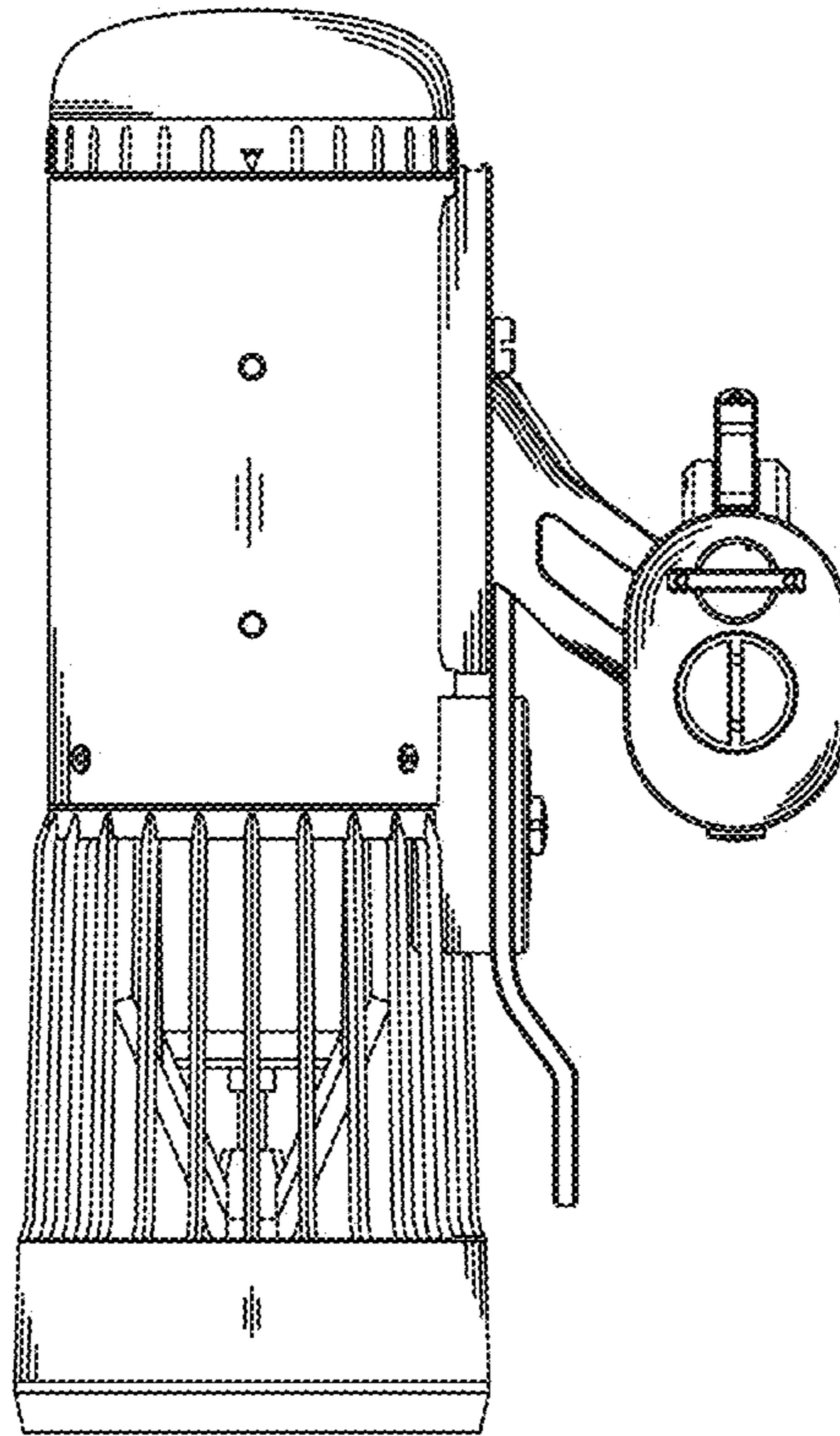


FIG. 4

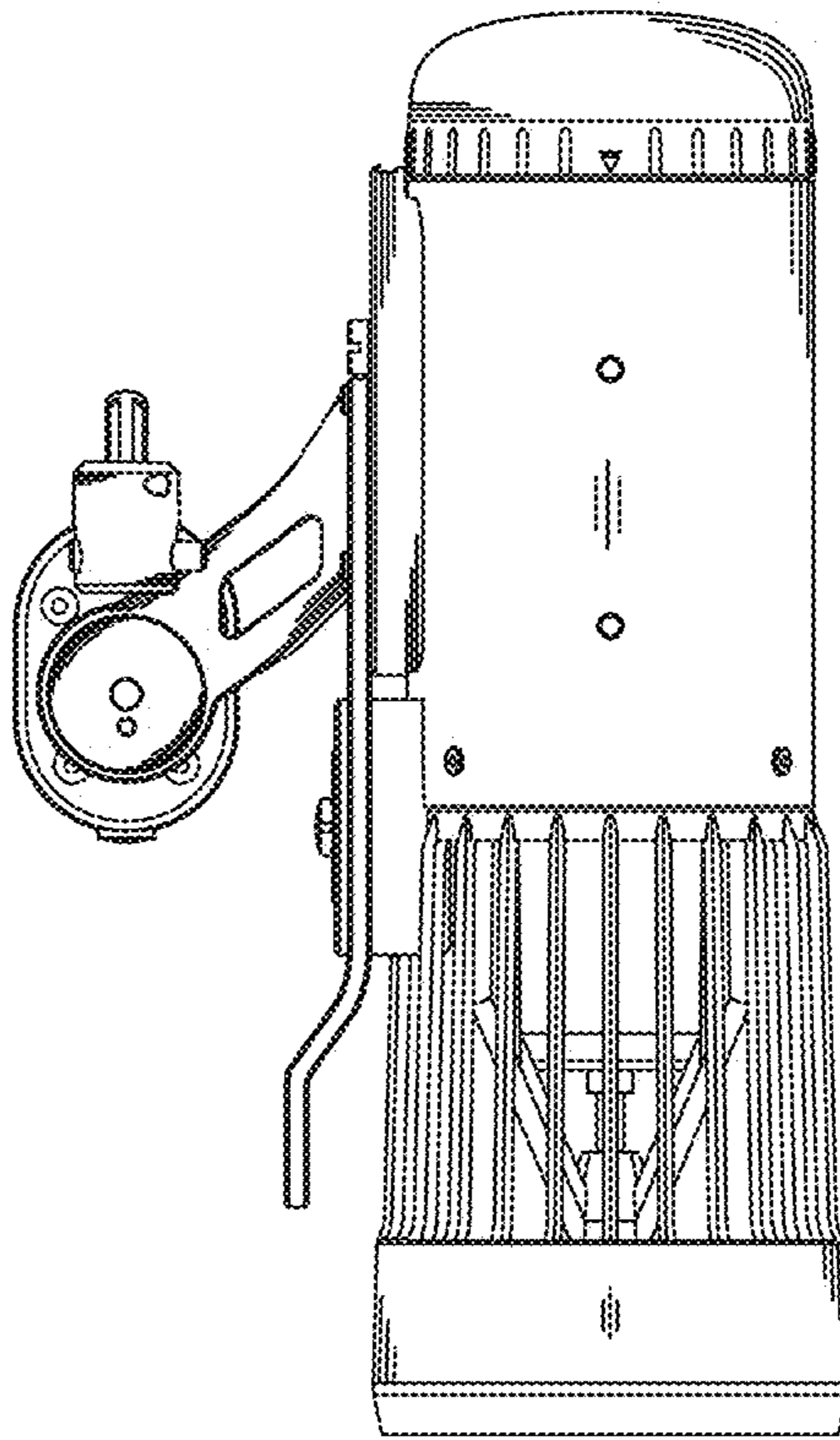


FIG. 5

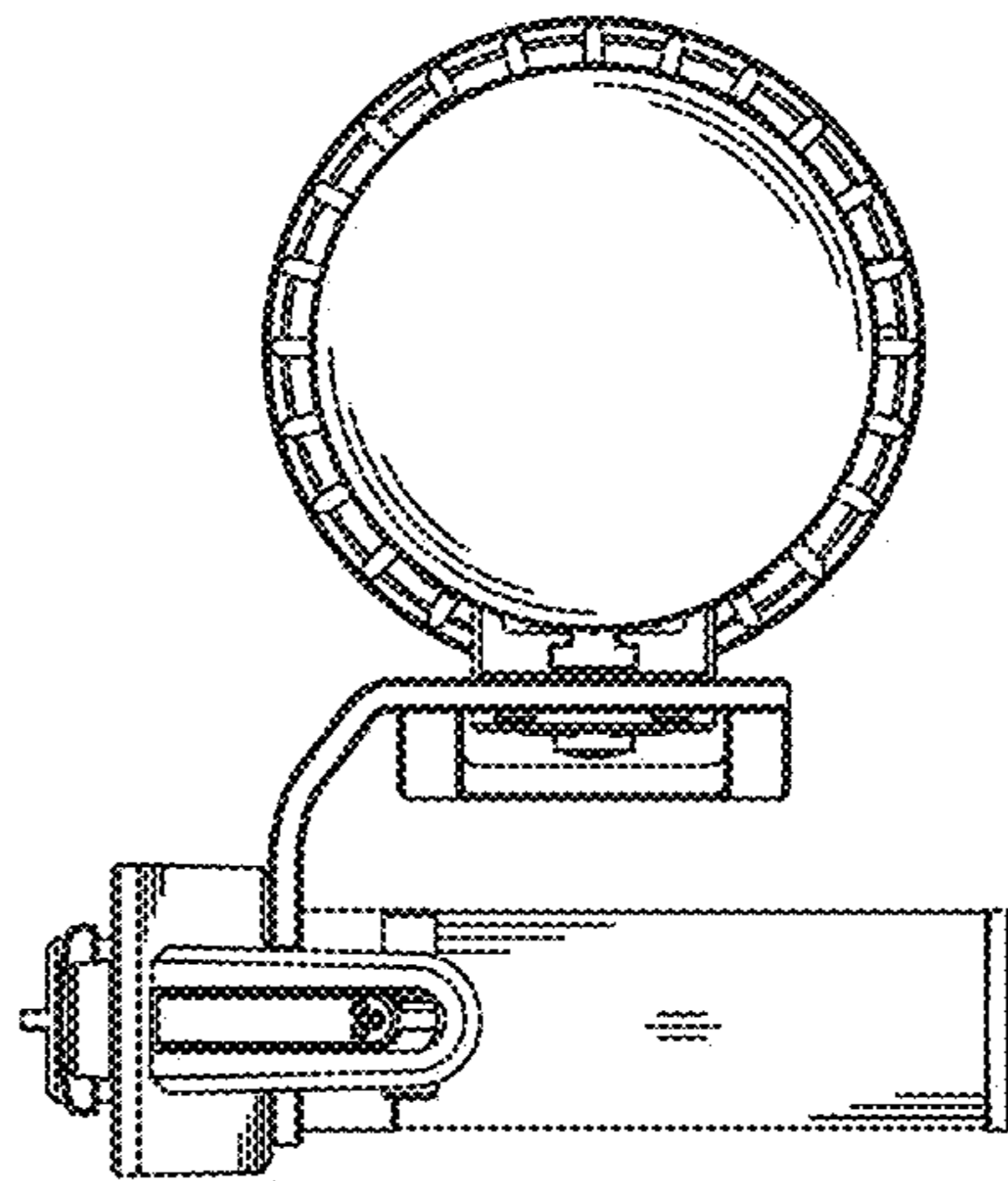


FIG. 6

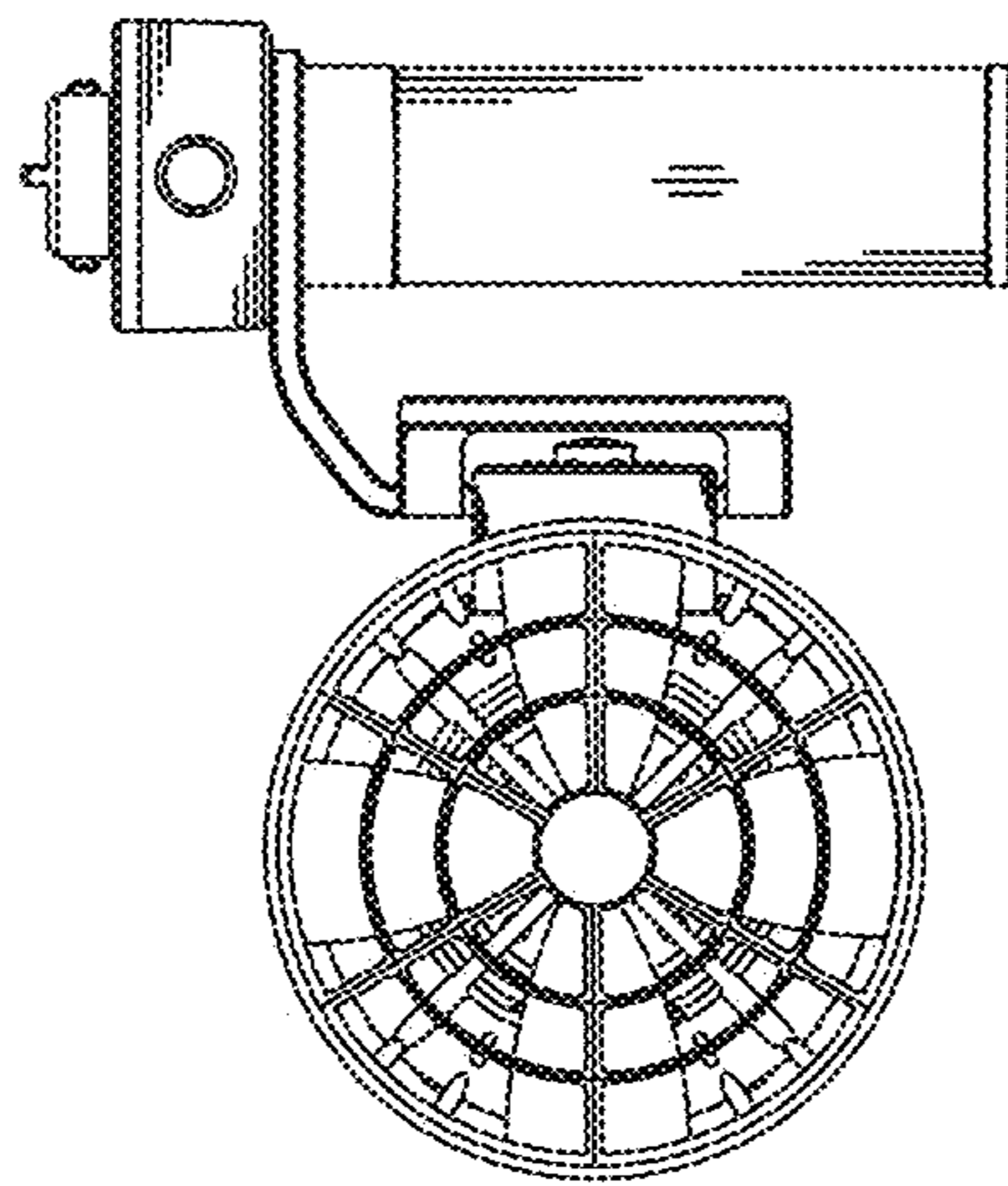


FIG. 7