



US00D921560S

(12) **United States Design Patent** (10) **Patent No.:** **US D921,560 S**  
**Brunkhurst** (45) **Date of Patent:** **\*\* Jun. 8, 2021**

(54) **DIFFERENTIAL REINFORCEMENT BRACKET**

(71) Applicant: **Brayton Wayne Brunkhurst**, Palmyra, PA (US)

(72) Inventor: **Brayton Wayne Brunkhurst**, Palmyra, PA (US)

(\*\*) Term: **15 Years**

(21) Appl. No.: **29/741,747**

(22) Filed: **Jul. 15, 2020**

(51) **LOC (13) Cl.** ..... **12-16**

(52) **U.S. Cl.**  
USPC ..... **D12/223**

(58) **Field of Classification Search**  
USPC ..... D12/400, 159, 160, 223, 114, 162;  
D8/14, 16, 349, 354, 382, 499; D15/143  
CPC .... F16H 48/38; F16H 2048/387; F16H 48/40;  
F16H 48/42; F16H 48/08; F16H 57/02;  
F16H 2057/02026; F16H 57/037; B62D  
21/11; B60D 1/02; B60G 7/02  
See application file for complete search history.

(56) **References Cited**

**U.S. PATENT DOCUMENTS**

D25,868 S *	8/1896	Noyes	.....	D8/354
D56,006 S *	8/1920	Kenner	.....	D12/223
2,612,231 A *	9/1952	Bretschneider	.....	B60K 17/165 180/358
D285,411 S *	9/1986	Mahoney	.....	D8/354
D308,010 S *	5/1990	Russell	.....	D8/343
D357,172 S *	4/1995	Hsu	.....	D8/354
5,641,180 A *	6/1997	Kamei	.....	B60K 5/1216 180/291
D401,211 S *	11/1998	Simpson	.....	D12/223
6,109,630 A *	8/2000	Dazy	.....	B60G 7/00 280/124.11
D473,775 S *	4/2003	Janiszewski	.....	D8/71
D521,439 S *	5/2006	Chapman	.....	D12/223

D556,015 S *	11/2007	Muchnik	.....	D8/349
D604,150 S *	11/2009	Lee	.....	D12/114
D613,591 S *	4/2010	Lee	.....	D8/373
D621,953 S *	8/2010	Peifer	.....	D24/232
D655,669 S *	3/2012	Matijevich	.....	D12/223
D682,750 S *	5/2013	Smith	.....	D12/162
D688,984 S *	9/2013	Pirolo	.....	D12/114
D712,809 S *	9/2014	Kloos	.....	D12/180
D813,140 S *	3/2018	Stent	.....	D12/223
D829,082 S *	9/2018	O'Brien	.....	D8/366

(Continued)

*Primary Examiner* — Holly E Thurman

*Assistant Examiner* — Ieisha N Price

(74) *Attorney, Agent, or Firm* — QuickPatents, LLC;  
Kevin Prince

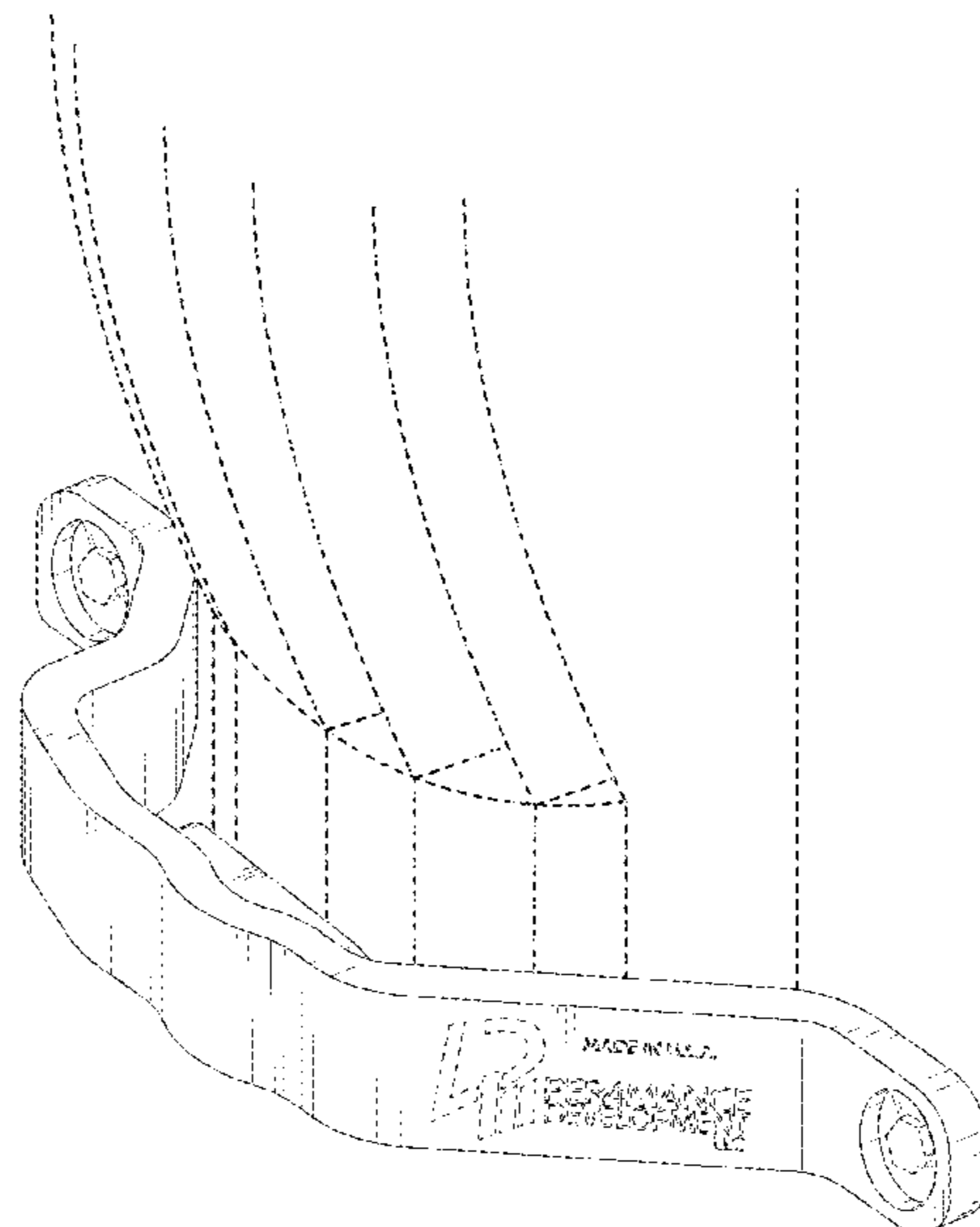
(57) **CLAIM**

The ornamental design for a differential reinforcement bracket, as shown and described.

**DESCRIPTION**

FIG. 1 is a front, top perspective view of a differential reinforcement bracket, showing my new design;  
FIG. 2 is a front elevational view thereof;  
FIG. 3 is a rear elevational view thereof;  
FIG. 4 is a top plan view thereof;  
FIG. 5 is a bottom plan view thereof;  
FIG. 6 is a right-side elevational view thereof;  
FIG. 7 is a left-side elevational view thereof;  
FIG. 8 is a cross-sectional view thereof, taken along line 8-8 of FIG. 4;  
FIG. 9 is a rear, bottom perspective view thereof, illustrated with a cushioning element of the design removed for clarity of illustration; and,  
FIG. 10 is a rear, top perspective view of FIG. 9.  
The broken lines showing a differential in FIG. 1 depict environmental matter and form no part of the claimed design. The remaining broken lines showing a logo of the reinforcement bracket form no part of the claimed design.

**1 Claim, 5 Drawing Sheets**



(56)

**References Cited**

U.S. PATENT DOCUMENTS

D836,674 S \* 12/2018 Paddock ..... D15/5  
D838,575 S \* 1/2019 Helweg ..... D8/354  
D851,479 S \* 6/2019 Ito ..... D8/349  
D866,308 S \* 11/2019 Rehhahn ..... D8/382  
D899,896 S \* 10/2020 Palmer ..... D8/349  
2009/0048055 A1\* 2/2009 Corless ..... F16H 48/08  
475/230  
2012/0235375 A1\* 9/2012 Kudla ..... B62D 21/11  
280/124.109  
2017/0066301 A1\* 3/2017 Terashima ..... B62D 21/11  
2017/0113533 A1\* 4/2017 Abe ..... B62D 21/15  
2017/0267091 A1\* 9/2017 Takahashi ..... B60K 5/1208  
2019/0174665 A1\* 6/2019 Marchesan ..... F16C 19/54

\* cited by examiner

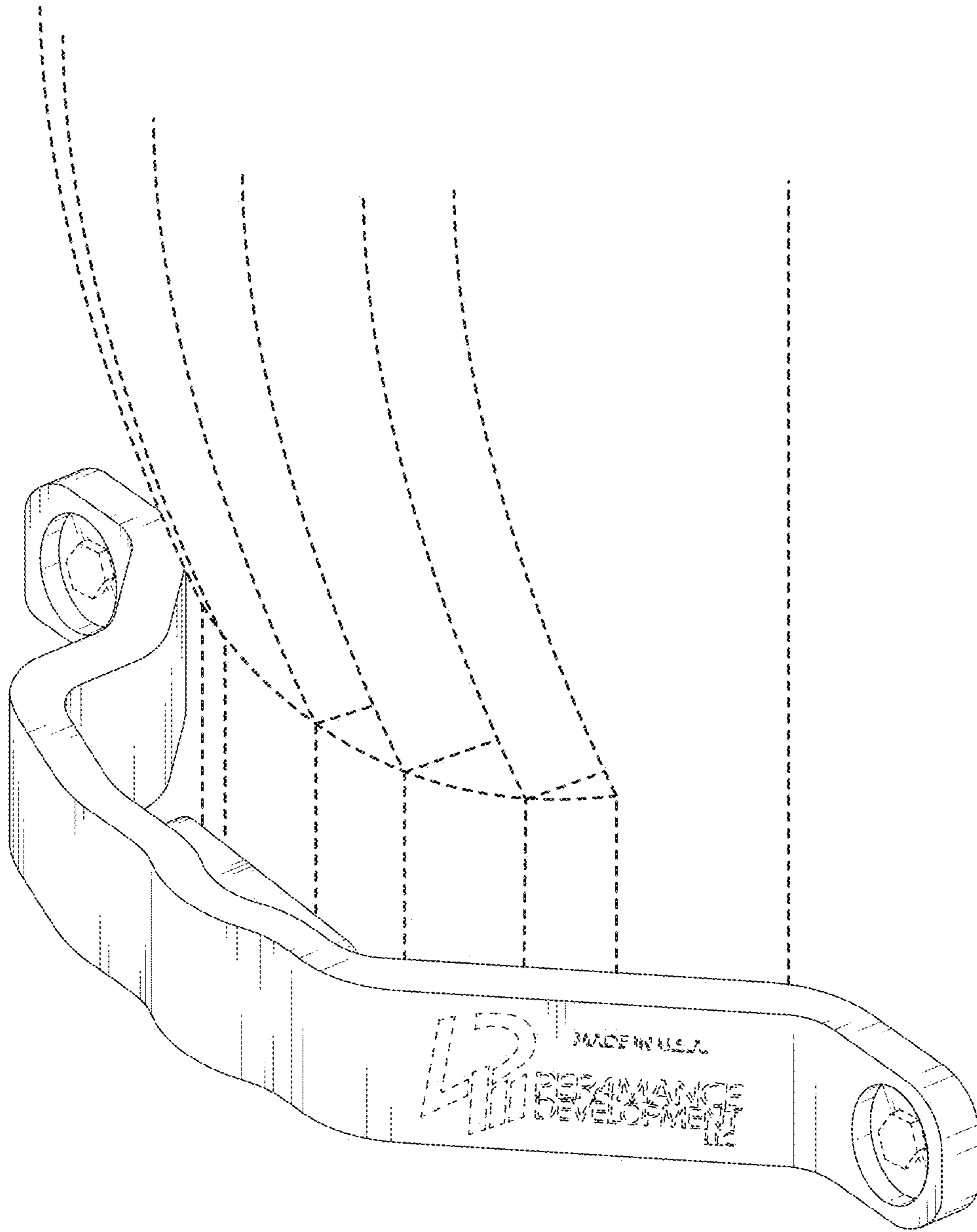


FIG. 1

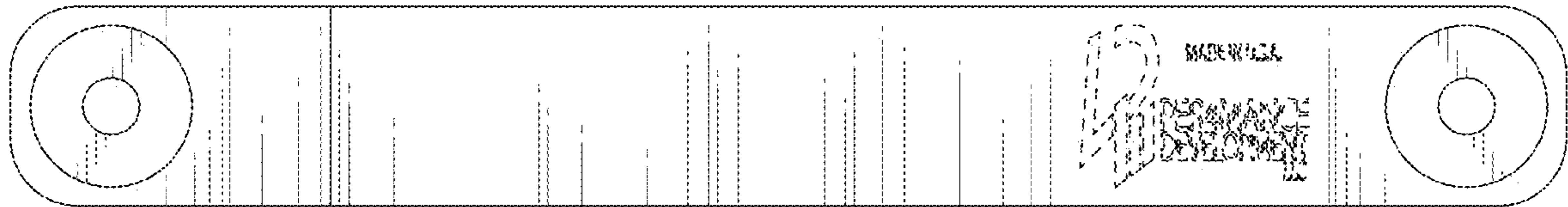


FIG. 2

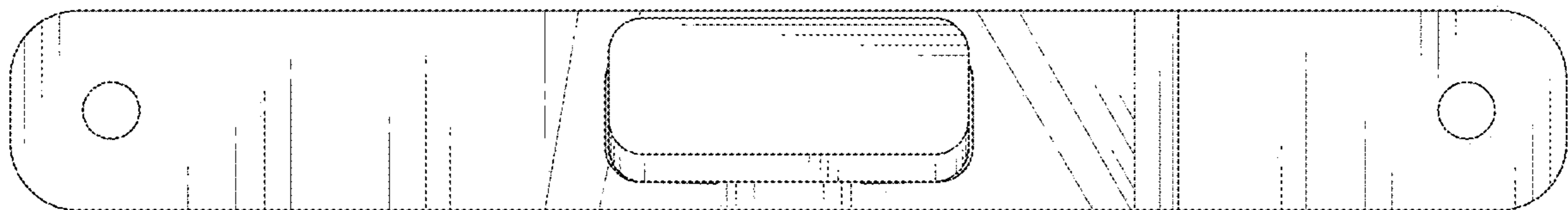


FIG. 3



FIG. 6

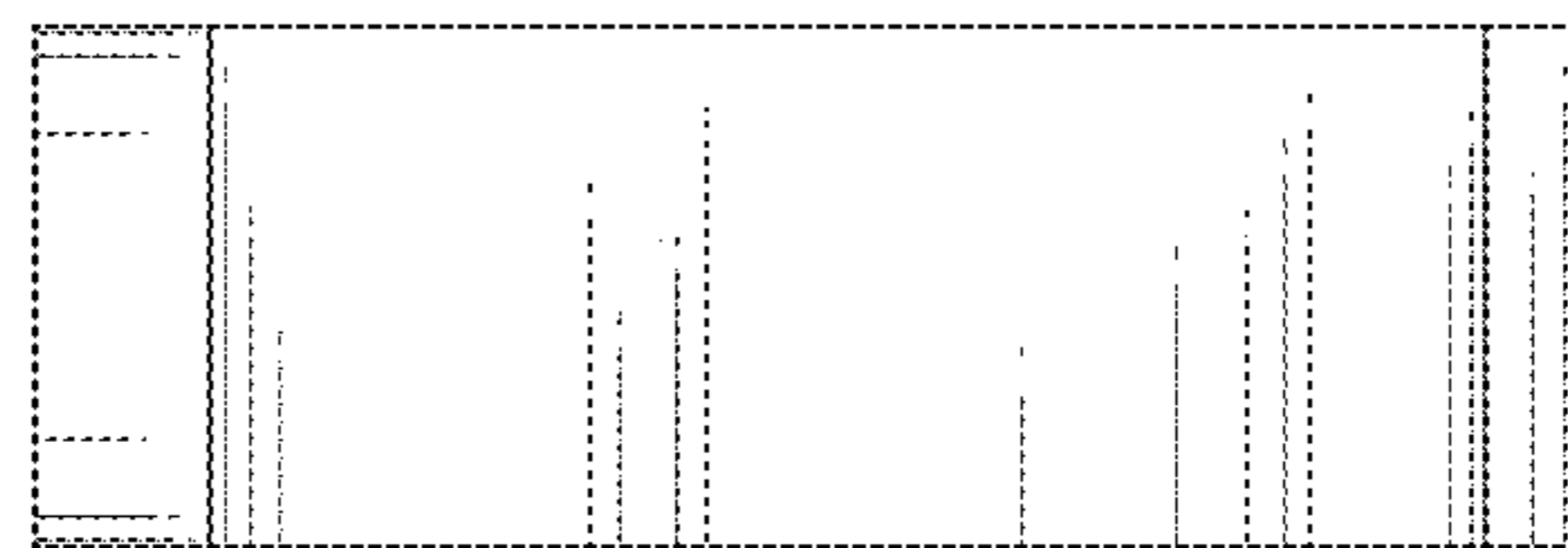


FIG. 7

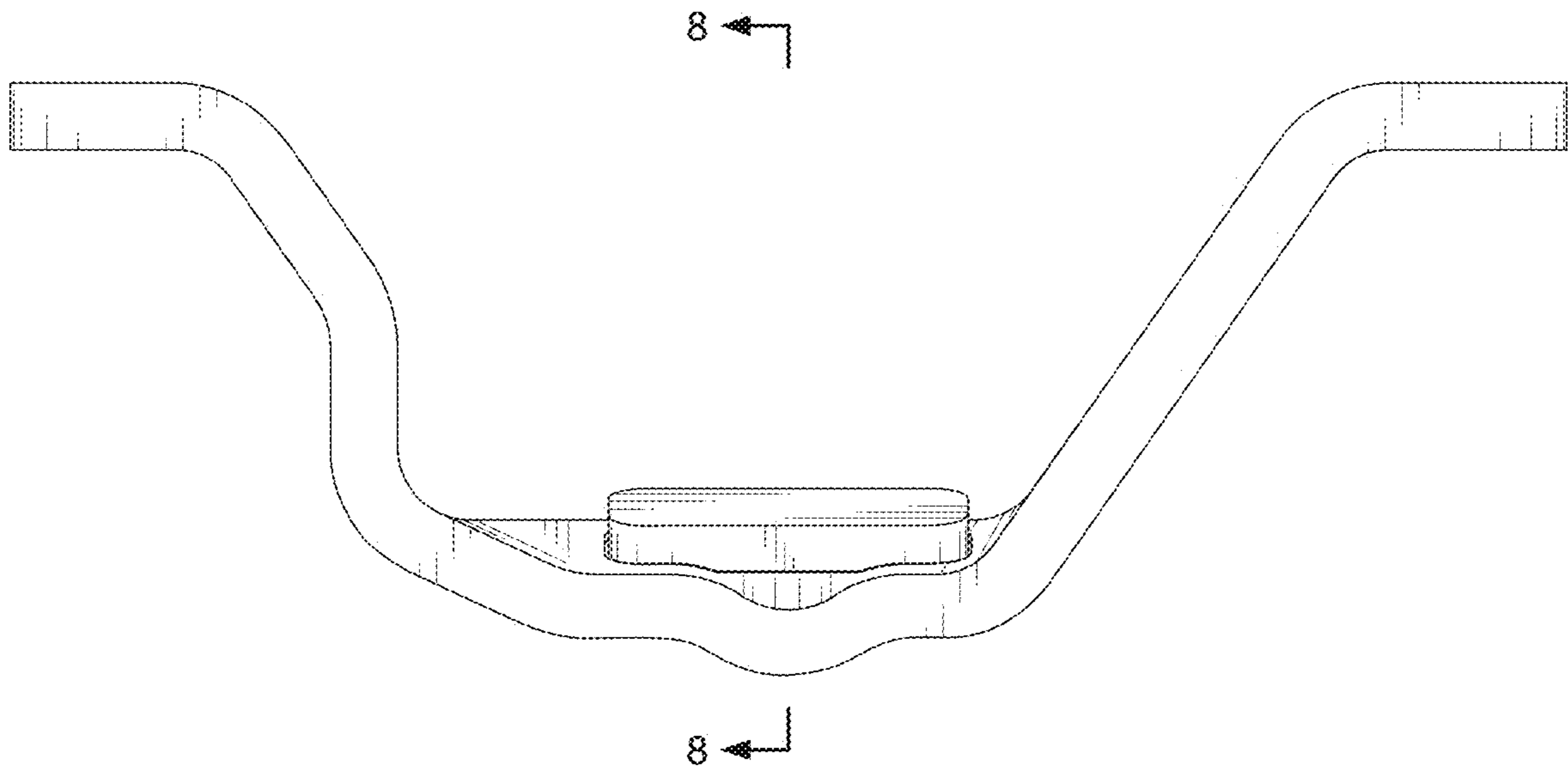


FIG. 4

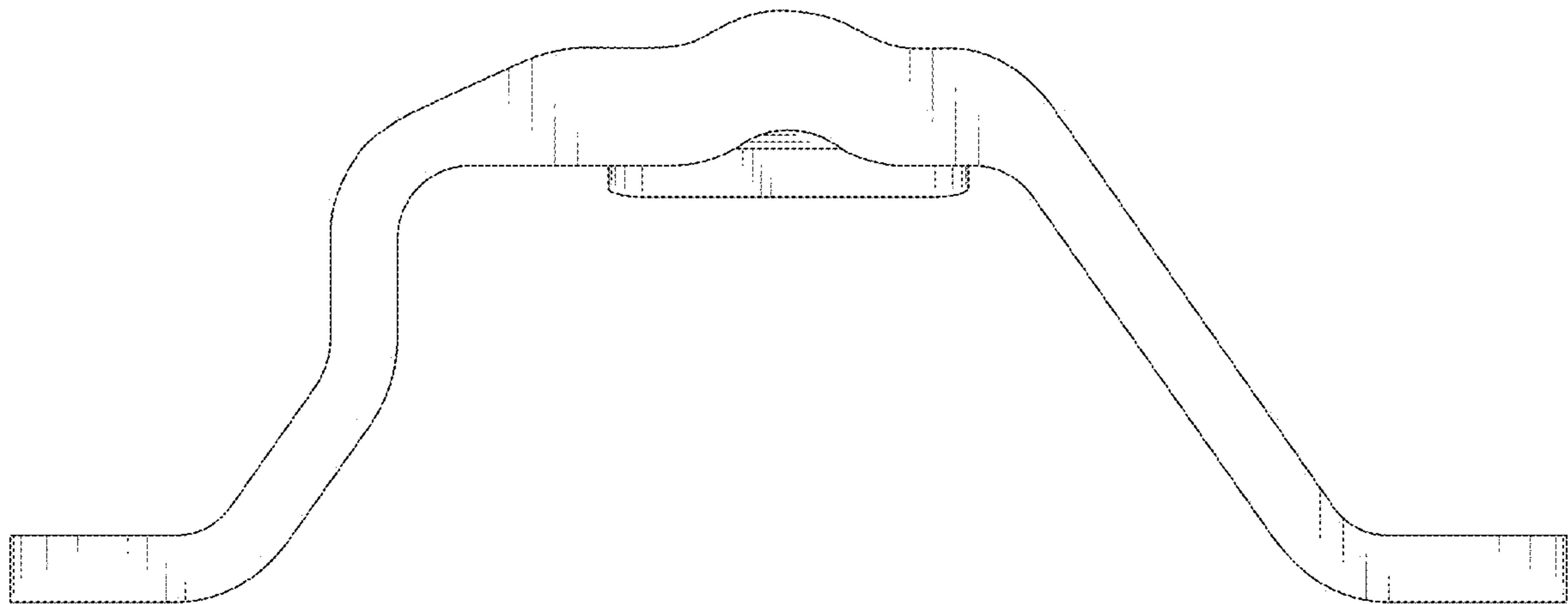


FIG. 5

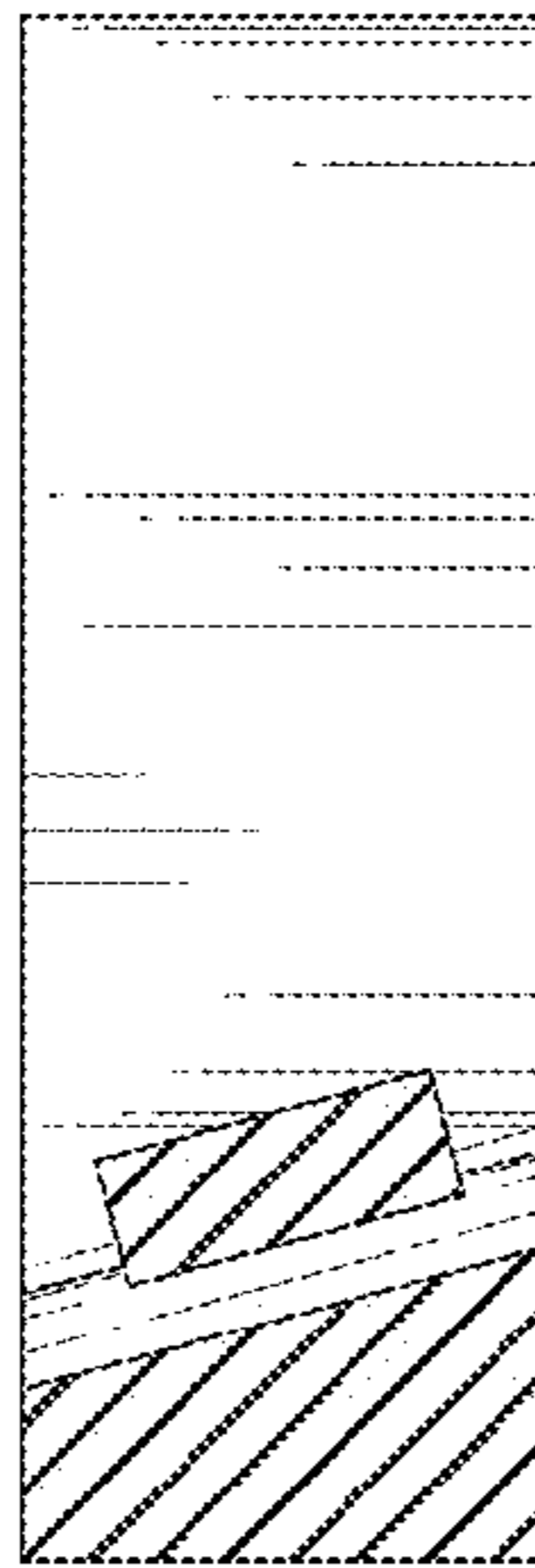


FIG. 8

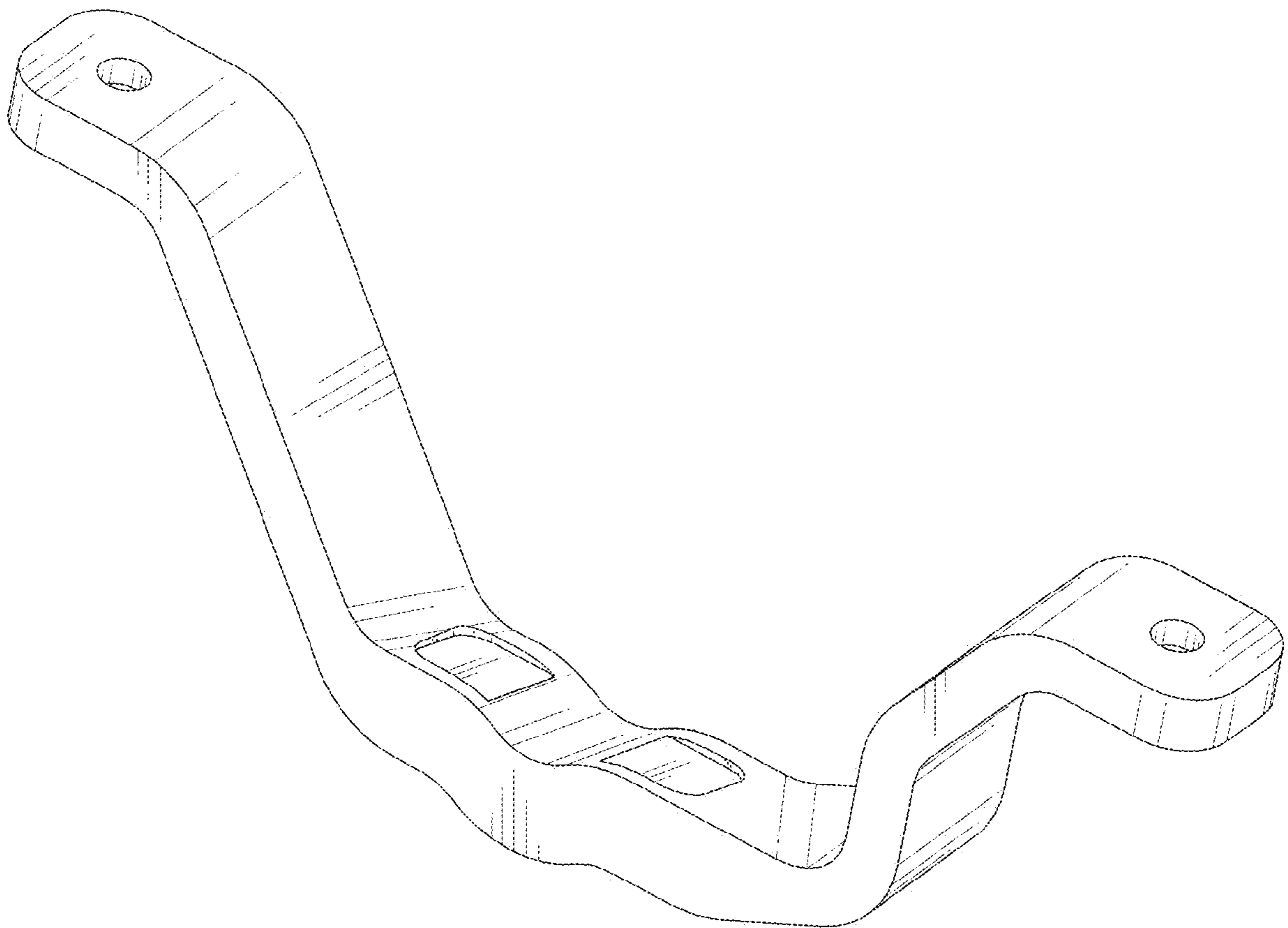


FIG. 9

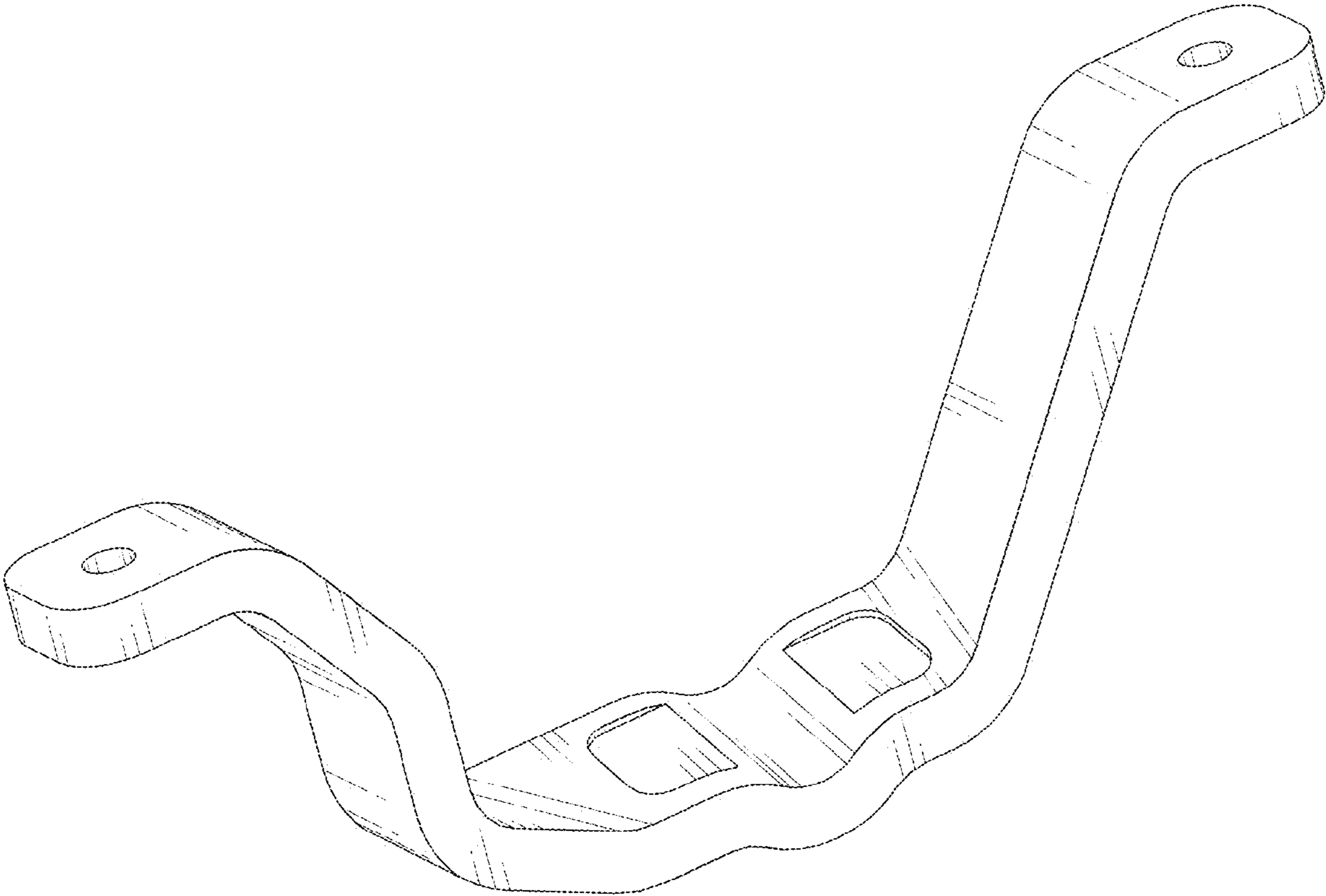


FIG. 10