



US00D921552S

(12) **United States Design Patent**
Williams

(10) **Patent No.:** **US D921,552 S**

(45) **Date of Patent:** **** Jun. 8, 2021**

(54) **WHEEL FRONT FACE**

(71) Applicant: **David A Williams**, Chino Hills, CA
(US)

(72) Inventor: **David A Williams**, Chino Hills, CA
(US)

(73) Assignee: **Wheel Group Holdings, LLC**, Ontario,
CA (US)

(**) Term: **15 Years**

(21) Appl. No.: **29/679,303**

(22) Filed: **Feb. 4, 2019**

(51) **LOC (13) Cl.** **12-16**

(52) **U.S. Cl.**
USPC **D12/209**

(58) **Field of Classification Search**
USPC D12/204–213; D21/563
CPC B60B 7/00; B60B 7/02; B60B 7/04; B60B
7/01; B60B 7/06; B60B 3/02; B60B 3/04;
B60B 3/06; B60B 3/10; B60B 1/00;
B60B 1/08; B60B 1/10; B60B 1/12
See application file for complete search history.

(56) **References Cited**

U.S. PATENT DOCUMENTS

D461,441 S *	8/2002	Hartanto	D12/211
D527,335 S *	8/2006	Kim	D12/211
D528,062 S *	9/2006	Hosoi	D12/211
D535,606 S *	1/2007	Hernandez	D12/211
D548,165 S *	8/2007	Young	D12/211
D608,711 S *	1/2010	Juergens	D12/209
D654,005 S *	2/2012	Mueller-Stolz	D12/209
D695,183 S *	12/2013	Chung	D12/209

D719,889 S *	12/2014	Hodges	D12/209
D727,829 S *	4/2015	Chung	D12/211
D736,135 S *	8/2015	Grake	D12/211
D753,573 S *	4/2016	Watkin	D12/211
D758,279 S *	6/2016	Platto	D12/211
D763,163 S *	8/2016	Chung	D12/211
D763,772 S *	8/2016	Chung	D12/211
D780,659 S *	3/2017	Liffick	D12/211
D787,407 S *	5/2017	Chung	D12/211
D795,775 S *	8/2017	Simpson	D12/211
D797,029 S *	9/2017	Chung	D12/211
D800,046 S *	10/2017	Chung	D12/211
D803,751 S *	11/2017	Chung	D12/209
D805,991 S *	12/2017	Platto	D12/209
D806,631 S *	1/2018	Sempek	D12/211
D817,841 S *	5/2018	Chung	D12/209
D823,777 S *	7/2018	Ninov	D12/211
D840,903 S *	2/2019	Schittko	D12/211
D849,658 S *	5/2019	Licklitter	D12/211
D850,349 S *	6/2019	Licklitter	D12/209
D860,095 S *	9/2019	Milani	D12/209
D868,664 S *	12/2019	Dewitt	D12/211
D876,305 S *	2/2020	Lee	D12/209

* cited by examiner

Primary Examiner — Stacia A Cadmus

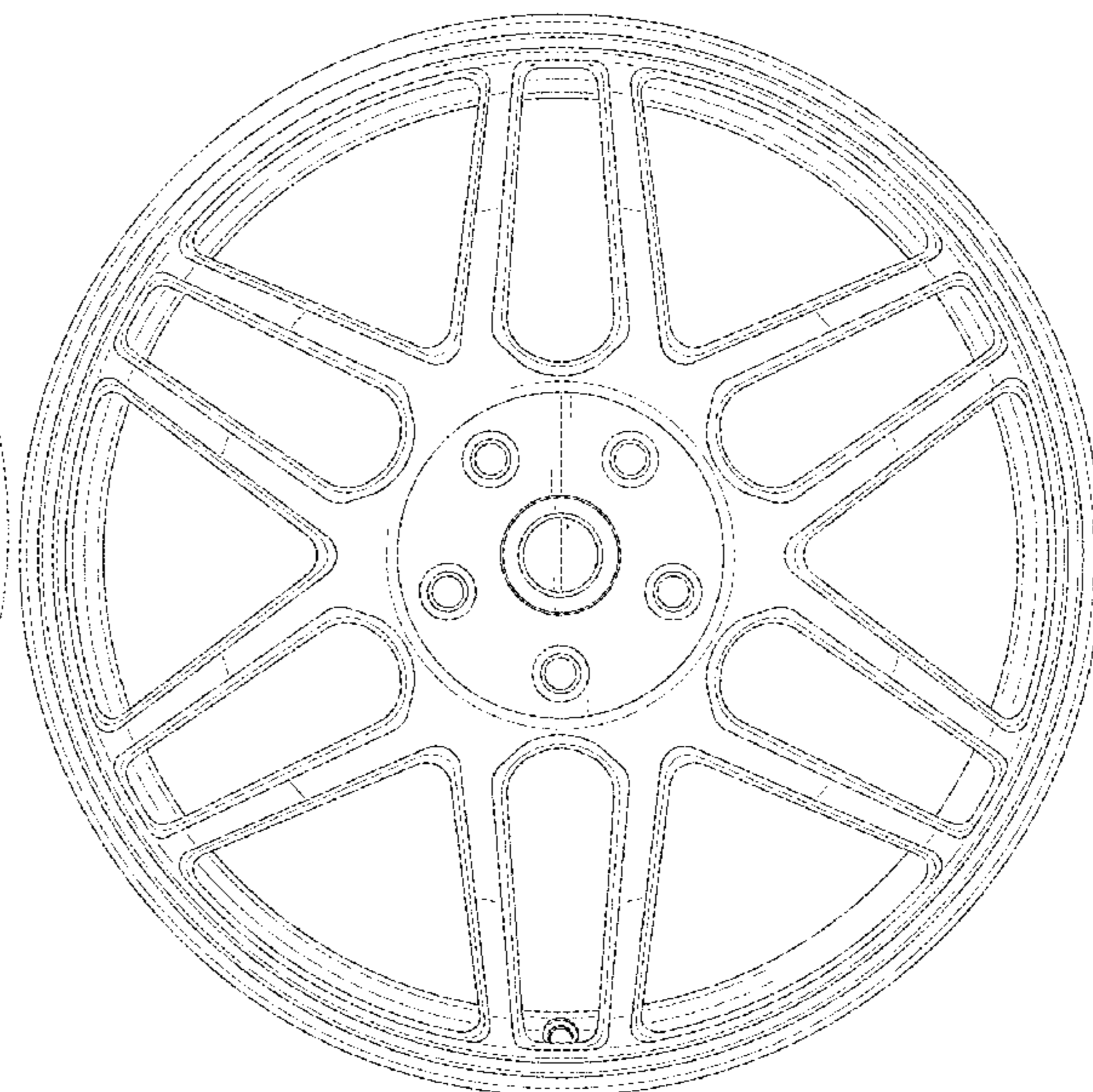
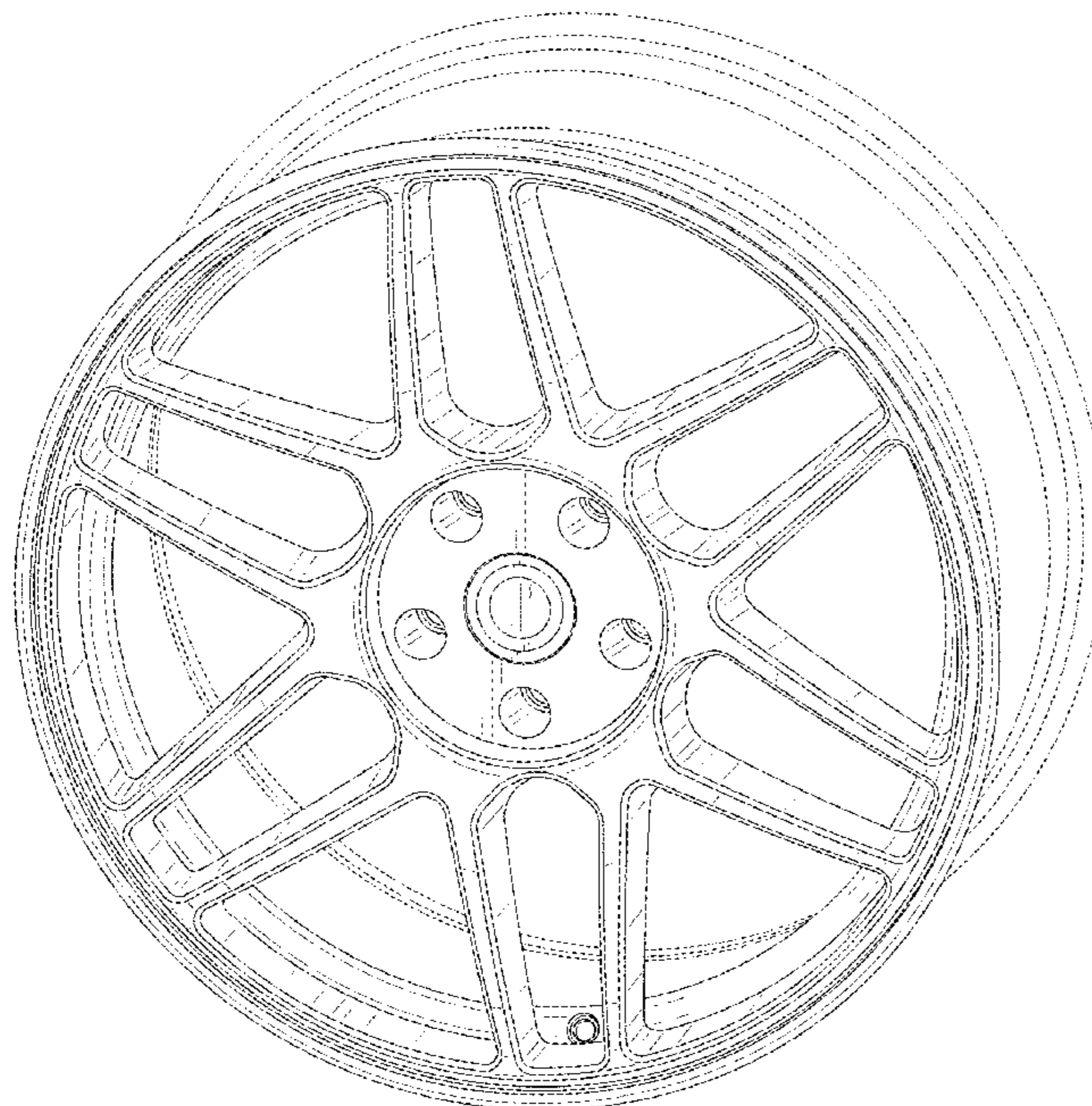
(57) **CLAIM**

The ornamental design for a wheel front face, as shown and described.

DESCRIPTION

FIG. 1 is a perspective view of a wheel front face, showing a new design.
FIG. 2 is a front view of the wheel front face of FIG. 1; and, FIG. 3 is a side view of the wheel front face of FIG. 1.
In the drawings the broken lines depict portions of the wheel that form no part of the claimed design.

1 Claim, 3 Drawing Sheets



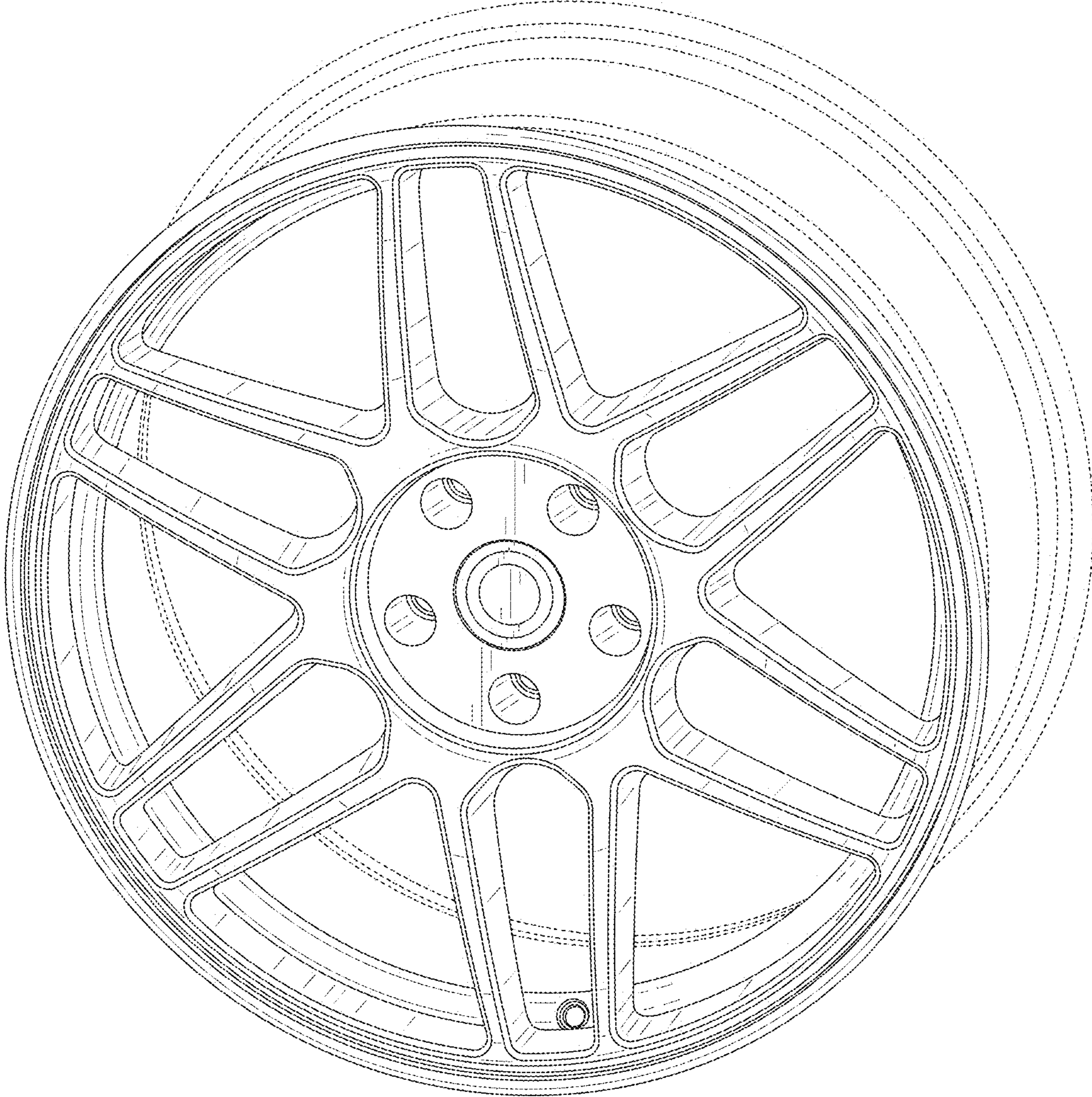


FIG. 1

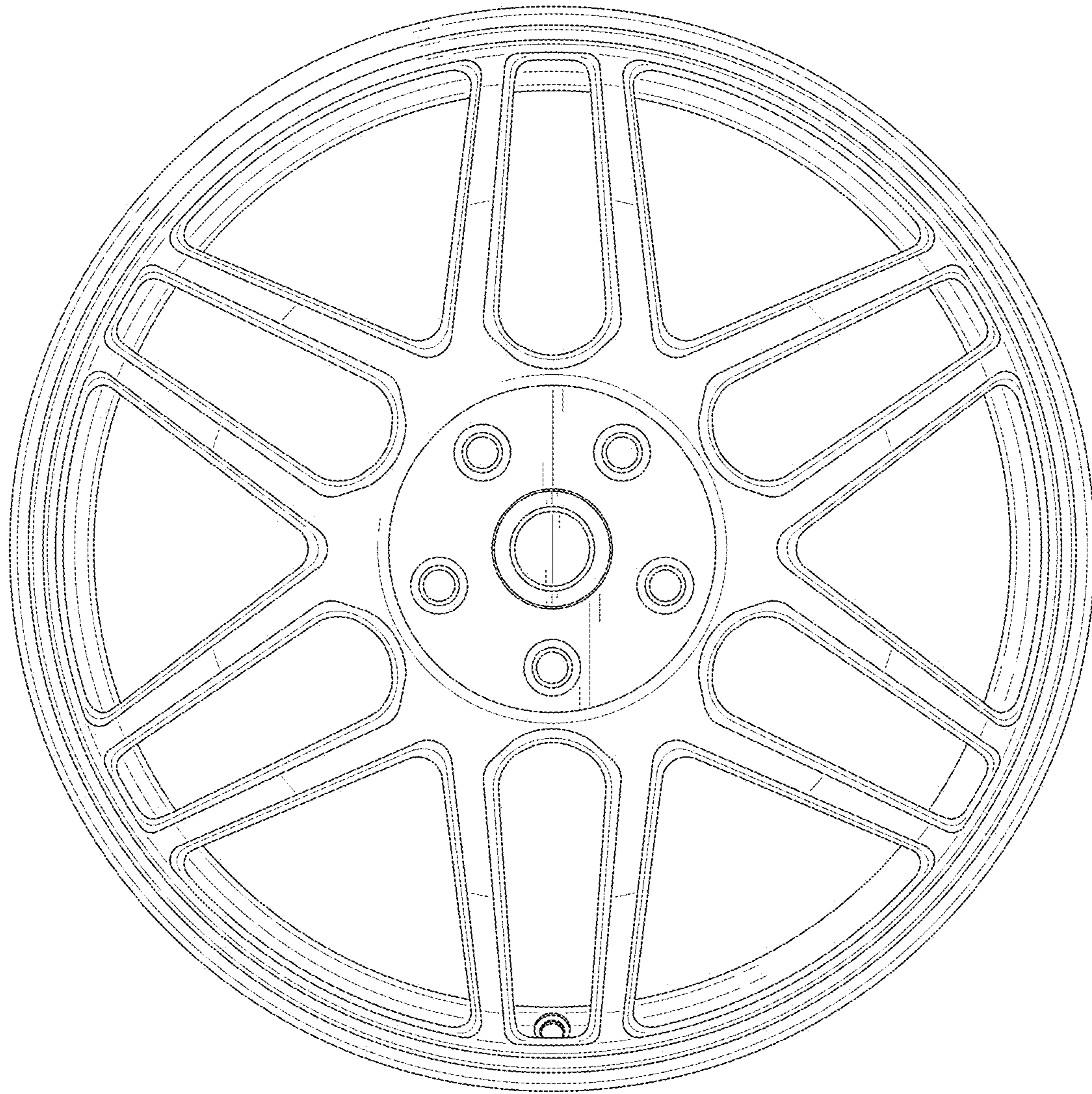


FIG. 2

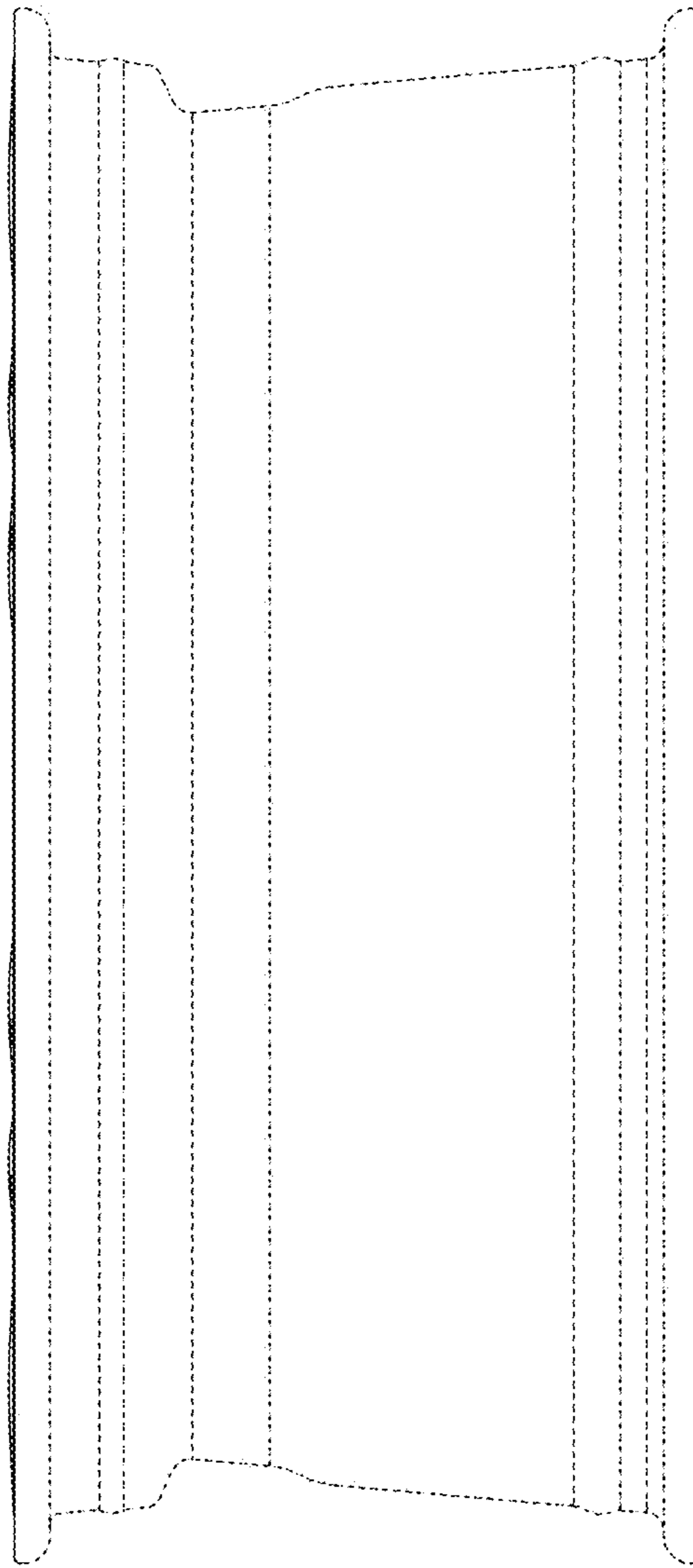


FIG. 3