



US00D921551S

(12) **United States Design Patent**
Yeh

(10) **Patent No.:** **US D921,551 S**

(45) **Date of Patent:** **** *Jun. 8, 2021**

- (54) **WHEEL FRONT FACE**
- (71) Applicant: **WHEEL GROUP HOLDINGS, LLC**,
Ontario, CA (US)
- (72) Inventor: **Bruce Yeh**, Ontario, CA (US)
- (73) Assignee: **WHEEL GROUP HOLDINGS, LLC**,
Ontario, CA (US)
- (*) Notice: This patent is subject to a terminal disclaimer.
- (**) Term: **15 Years**
- (21) Appl. No.: **29/627,622**
- (22) Filed: **Nov. 28, 2017**
- (51) **LOC (13) Cl.** **12-16**
- (52) **U.S. Cl.**
USPC **D12/209**
- (58) **Field of Classification Search**
USPC D12/204–213
CPC B60B 7/00; B60B 7/02; B60B 7/04; B60B 7/01;
B60B 7/06; B60B 3/02; B60B 3/04;
B60B 3/06; B60B 3/10; B60B 1/00;
B60B 1/08; B60B 1/10; B60B 1/12
See application file for complete search history.

(56) **References Cited**

U.S. PATENT DOCUMENTS

D360,867 S	*	8/1995	Botterman	D12/211
D363,913 S	*	11/1995	Chung	D12/209
D394,238 S	*	5/1998	Haller	D12/209
D395,031 S	*	6/1998	Timm	D12/209
D396,838 S	*	8/1998	Mills	D12/209
D400,841 S	*	11/1998	Sacco	D12/209
D407,365 S	*	3/1999	Nogal	D12/209
D431,518 S	*	10/2000	Fitzgerald	D12/209

D455,697 S	*	4/2002	Chung	D12/209
D455,701 S	*	4/2002	McMath	D12/209
D700,566 S	*	3/2014	Ichikawa	D12/209
D723,444 S	*	3/2015	Hodges	D12/209
D744,400 S	*	12/2015	Watanuki	D12/209
D758,948 S	*	6/2016	Trpinac	D12/211
D782,384 S	*	3/2017	Oh	D12/209
D786,049 S	*	5/2017	Austin	D8/356
D799,399 S	*	10/2017	Chung	D12/211
D817,842 S	*	5/2018	Chung	D12/209
D817,843 S	*	5/2018	Hale, Jr.	D12/209
D818,410 S	*	5/2018	Hale, Jr.	D12/209
D823,432 S	*	7/2018	Oh	D23/209
D843,300 S	*	3/2019	Hodges	D12/209
D846,478 S	*	4/2019	Kovacs	D12/209
D855,539 S	*	8/2019	Han	D12/209
D863,186 S	*	10/2019	Han	D12/209
D863,187 S	*	10/2019	Han	D12/209
D874,375 S	*	2/2020	Han	D12/209
D902,109 S	*	11/2020	Han	D12/209
D902,110 S	*	11/2020	Han	D12/209
D906,214 S	*	12/2020	Han	D12/209

* cited by examiner

Primary Examiner — Stacia A Cadmus

(74) *Attorney, Agent, or Firm* — Law Offices of S. J. Christine Yang

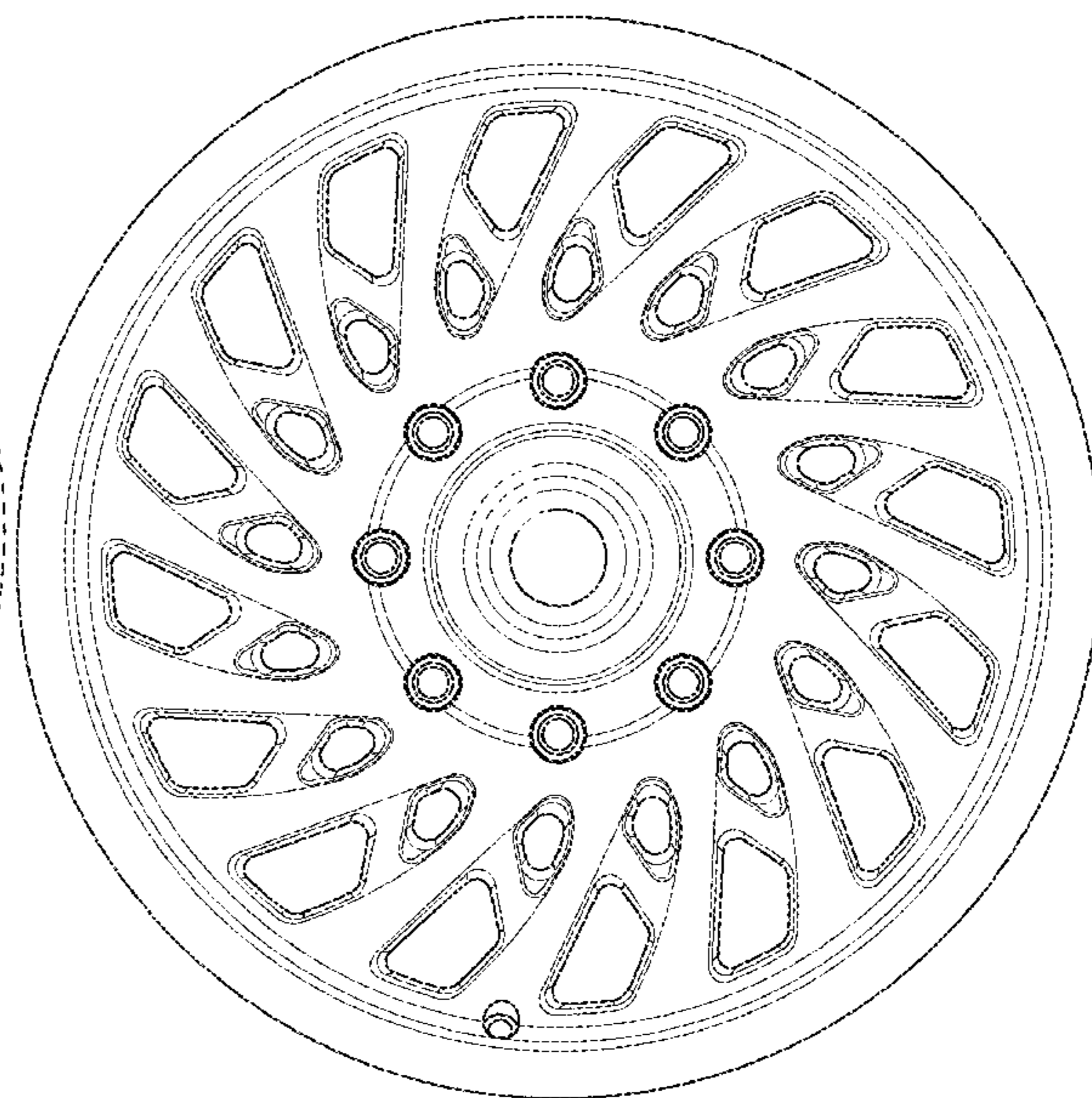
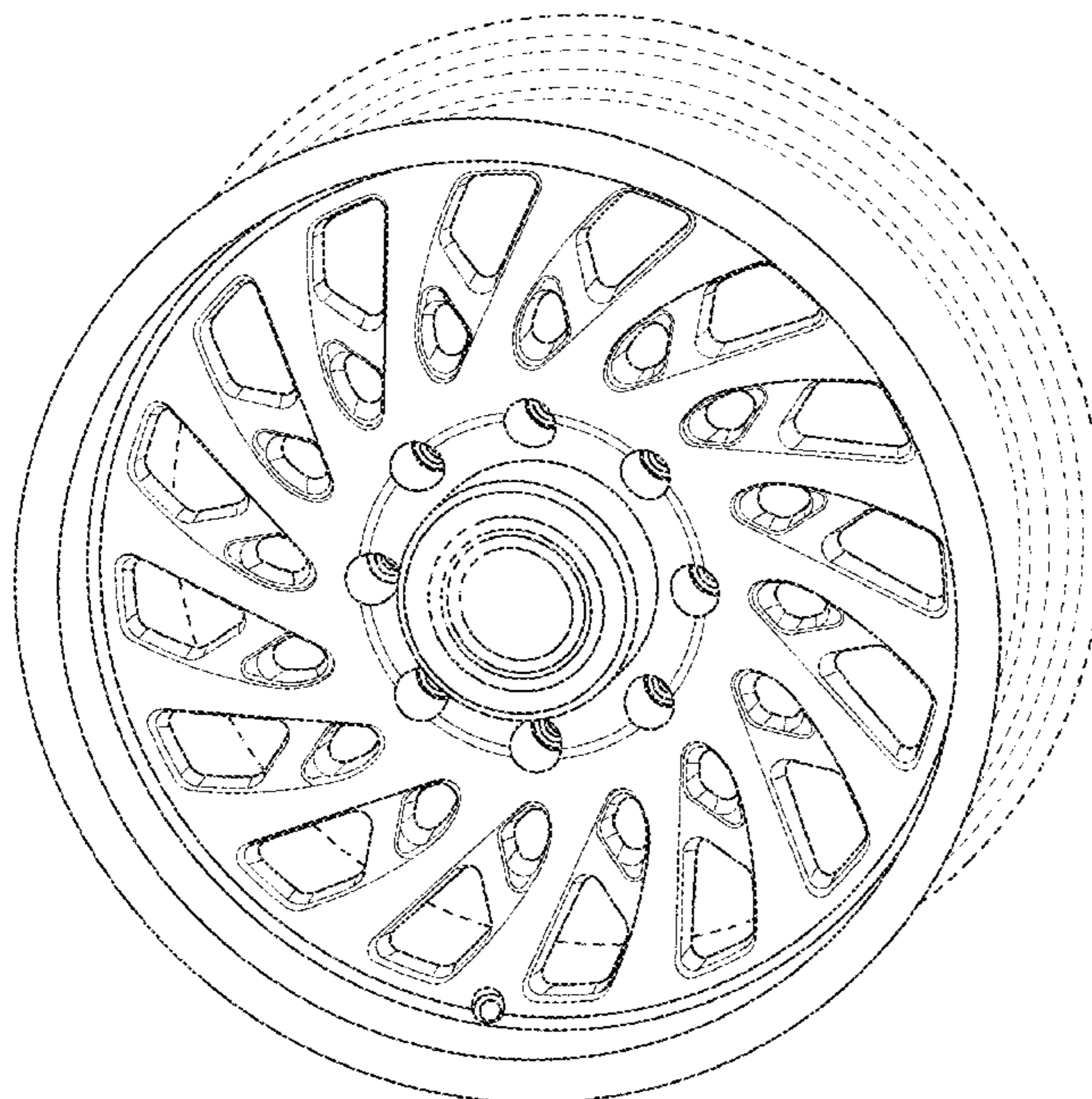
(57) **CLAIM**

The ornamental design for a wheel front face, as shown and described.

DESCRIPTION

FIG. 1 is a perspective view of a wheel front face, showing my new design;
FIG. 2 is a front view thereof; and,
FIG. 3 is a side view thereof.
In the drawings the broken lines depict portions of the wheel that form no part of the claimed design.

1 Claim, 3 Drawing Sheets



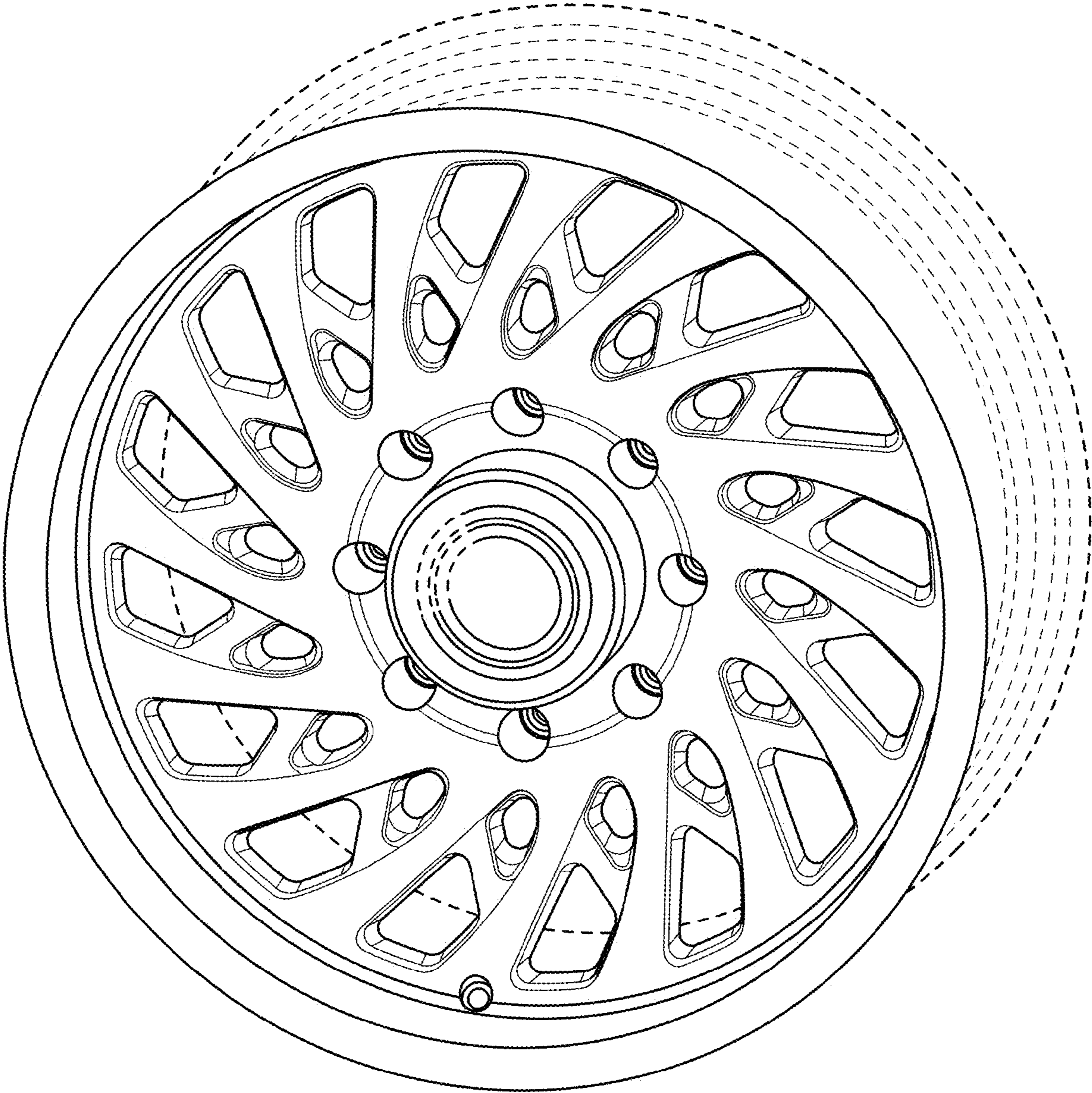


FIG. 1

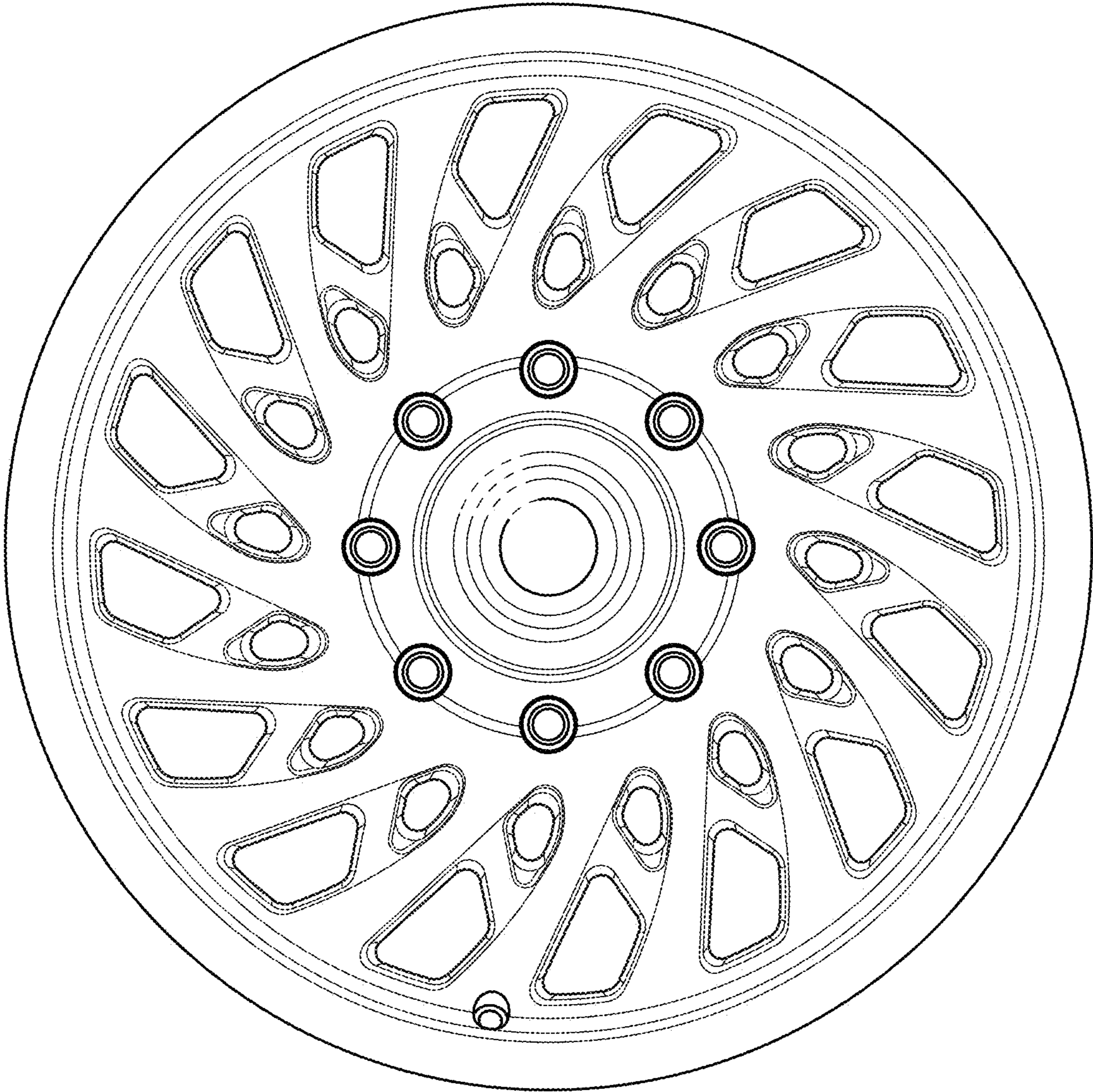


FIG. 2

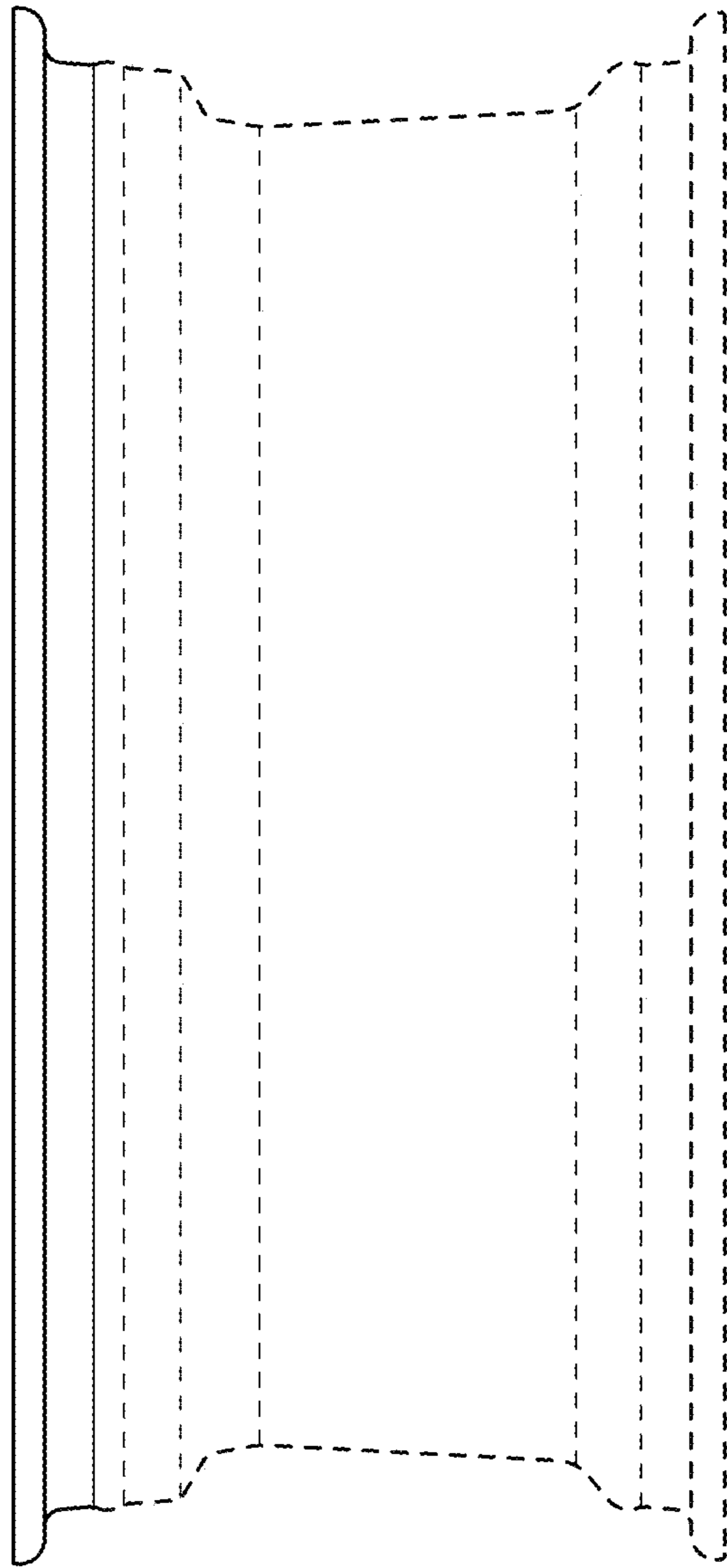


FIG. 3