



US00D921550S

(12) **United States Design Patent**
Roh

(10) **Patent No.:** **US D921,550 S**

(45) **Date of Patent:** **** Jun. 8, 2021**

(54) **DOOR STEP PLATE FOR A VEHICLE**

(71) Applicant: **HYUNDAI MOBIS CO., LTD.**, Seoul (KR)

(72) Inventor: **Bong Rae Roh**, Yongin-si (KR)

(73) Assignee: **HYUNDAI MOBIS CO., LTD.**, Seoul (KR)

(**) Term: **15 Years**

(21) Appl. No.: **29/712,514**

(22) Filed: **Nov. 8, 2019**

(30) **Foreign Application Priority Data**

May 10, 2019 (KR) 30-2019-0021934

(51) **LOC (13) Cl.** **12-16**

(52) **U.S. Cl.**
USPC **D12/203**

(58) **Field of Classification Search**
USPC D12/203, 89, 98, 314, 162, 190, 196
CPC .. B60R 3/002; B60R 3/02; B60R 3/00; B60R 3/005; B60R 3/007
See application file for complete search history.

(56) **References Cited**

U.S. PATENT DOCUMENTS

- D272,430 S * 1/1984 Minichillo D12/203
- D291,077 S * 7/1987 Parno D12/203
- D292,388 S * 10/1987 Weiler D12/203
- D293,667 S * 1/1988 Weiler D12/203
- D434,711 S * 12/2000 McQuiston D12/203
- D436,336 S * 1/2001 Sadr D12/203
- 6,382,819 B1 * 5/2002 McQuiston B60Q 1/323
362/487
- D473,178 S * 4/2003 Schumacher D12/203
- D488,759 S * 4/2004 Hattori D12/203

- D514,492 S * 2/2006 Metros D12/203
- D534,471 S * 1/2007 Landestoy D12/203
- D535,928 S * 1/2007 Crandall D12/203
- D548,664 S * 8/2007 Hall D12/203
- D559,755 S * 1/2008 Ito D12/203
- D620,416 S * 7/2010 Platto D12/203

(Continued)

OTHER PUBLICATIONS

“Kia New Telluride Door Sill Plates” KIA., posted date Mar. 6, 2019 [online], [retrieved on Feb. 25, 2021]. Retrieved from the Internet <URL: <https://www.amazon.com/Kia-Telluride-Plates-Illuminated-S9F45-AC000/dp/B07PJT1Y6J>> (Year: 2019).*

(Continued)

Primary Examiner — Darlington Ly

Assistant Examiner — Nasim Abulaziz Ali

(74) *Attorney, Agent, or Firm* — Morgan, Lewis & Bockius LLP

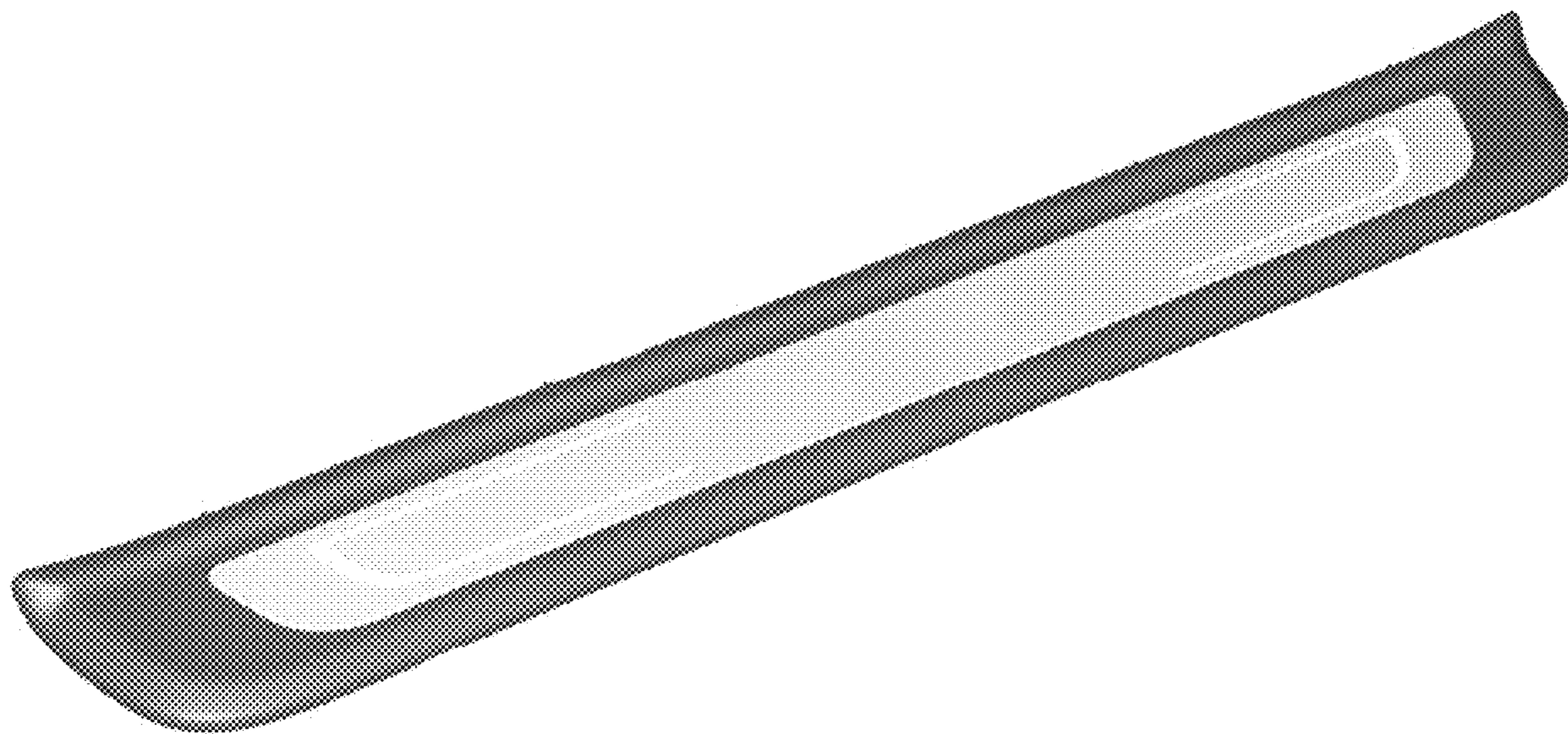
(57) **CLAIM**

The ornamental design for a door step plate for a vehicle, as shown and described.

DESCRIPTION

The patent or application file contains at least one drawing executed in color. Copies of this patent or patent application publication with color drawing(s) will be provided by the Office upon request and payment of the necessary fee. FIG. 1 is a top perspective view of a door step plate for a vehicle embodying my new design; FIG. 2 is a front elevation view thereof; FIG. 3 is a rear elevation view thereof; FIG. 4 is a left side elevation view thereof; FIG. 5 is a right side elevation view thereof; FIG. 6 is a top plan view thereof; FIG. 7 is a bottom plan view thereof; and, FIG. 8 is a bottom perspective view thereof.

1 Claim, 2 Drawing Sheets
(2 of 2 Drawing Sheet(s) Filed in Color)



(56)

References Cited

U.S. PATENT DOCUMENTS

D632,627 S *	2/2011	Huang-Tsai	D12/203
D676,368 S *	2/2013	Cover	D12/203
D738,803 S *	9/2015	Zhu	D12/203
D817,839 S *	5/2018	Rolfs	D12/203
D840,309 S *	2/2019	Huang	D12/203
D842,790 S *	3/2019	Moctezuma	D12/203
D846,469 S *	4/2019	Guo	D12/203
D862,337 S *	10/2019	Pinazzo	D12/196
D871,292 S *	12/2019	Tsai	D12/203

OTHER PUBLICATIONS

“Hyundai Palisade Door Scuff Plates” Hyundai Accessory Store ., posted date May 7, 2019 [online], [retrieved on Feb. 25, 2021]. Retrieved from the Internet <URL: https://www.hyundaiaccessorystore.com/hyundai_palisade_door_scuff_plates.html> (Year: 2019).*

“2017-2019 Kia Soul LED Door Sill Plates” KIA Stuff., posted date Jul. 12, 2019 [online], [retrieved on Feb. 25, 2021]. Retrieved from the Internet <URL: <https://kiastuff.com/kia-soul-led-door-sill-plates-g124/>> (Year: 2019).*

* cited by examiner

FIG. 1

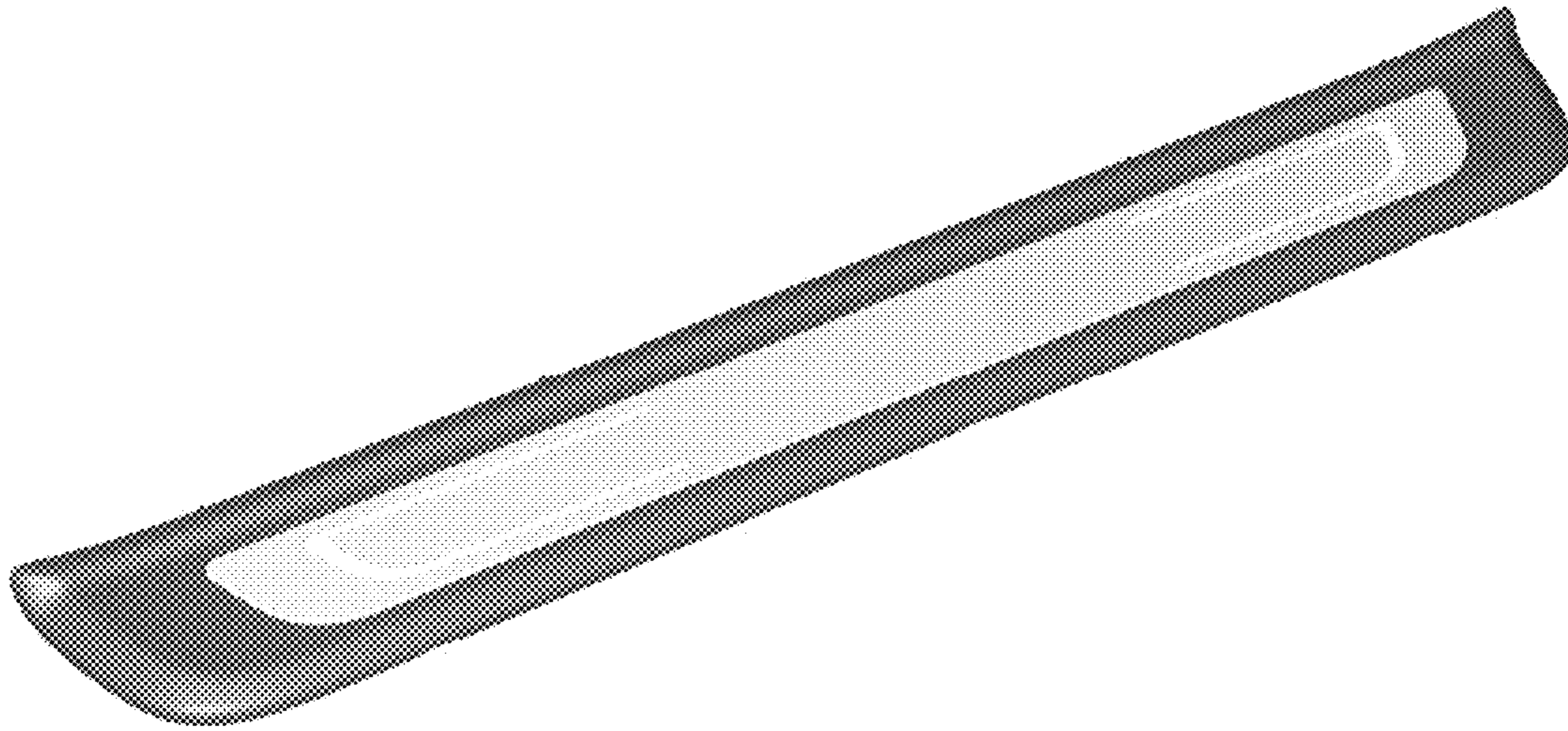


FIG. 2



FIG. 3



FIG. 4



FIG. 5



FIG. 6

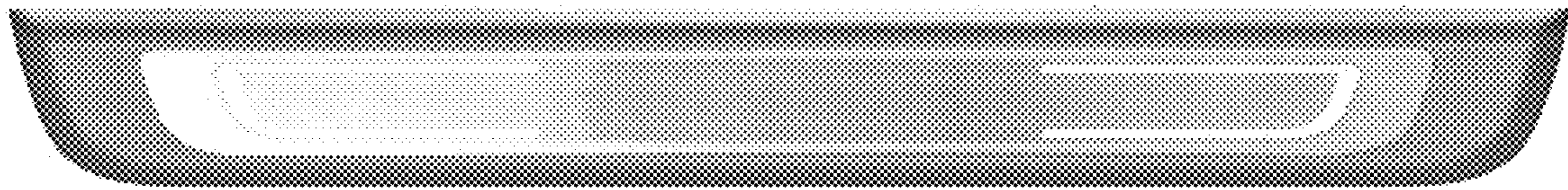


FIG. 7

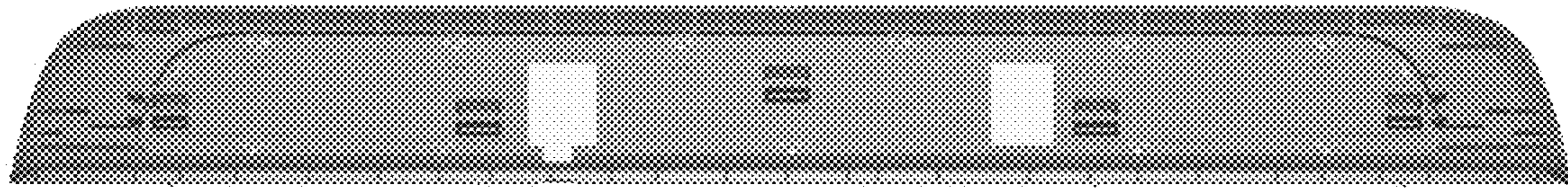


FIG. 8

