



US00D921546S

(12) **United States Design Patent** (10) **Patent No.:** **US D921,546 S**
Brown et al. (45) **Date of Patent:** **** Jun. 8, 2021**

(54) **VEHICLE BUMPER**
(71) Applicant: **ARB Corporation Limited**, Kilsyth (AU)
(72) Inventors: **Andrew Harry Brown**, Kilsyth (AU); **John Desmond Clark**, Kilsyth (AU); **Gavin Smith**, Kilsyth (AU)
(73) Assignee: **ARB CORPORATION LIMITED**, Kilsyth (AU)
(**) Term: **15 Years**
(21) Appl. No.: **29/668,635**
(22) Filed: **Oct. 31, 2018**
(51) **LOC (13) Cl.** **12-16**
(52) **U.S. Cl.**
USPC **D12/171; D12/169**
(58) **Field of Classification Search**
USPC D12/86, 90, 91, 92, 163, 164, 169, 171, D12/196, 216
CPC B60R 19/02; B60R 19/18; B60R 19/24; B60R 19/56; B60R 2019/007; B62D 25/0845
See application file for complete search history.

D744,387 S * 12/2015 Harriton D12/169
D751,012 S * 3/2016 Hare D12/169
D760,133 S * 6/2016 Bennett D12/171
D771,537 S * 11/2016 Hare D12/169
D775,013 S * 12/2016 Bennett D12/169
D775,016 S * 12/2016 Reynolds D12/171
D776,582 S * 1/2017 Bennett D12/169
D777,619 S * 1/2017 Barajas D12/171
D792,818 S * 7/2017 McMath D12/169
D793,304 S * 8/2017 McMath D12/169
D800,036 S * 10/2017 Bennett D12/169
D826,115 S * 8/2018 Chi D12/172
D833,922 S * 11/2018 DiCanzio D12/163
D847,051 S * 4/2019 DiCanzio D12/171
2017/0088076 A1 * 3/2017 Fujimoto B60R 19/04

* cited by examiner

Primary Examiner — Darlington Ly
(74) *Attorney, Agent, or Firm* — Davis Wright Tremain LLP; Heather M. Colburn

(57) **CLAIM**

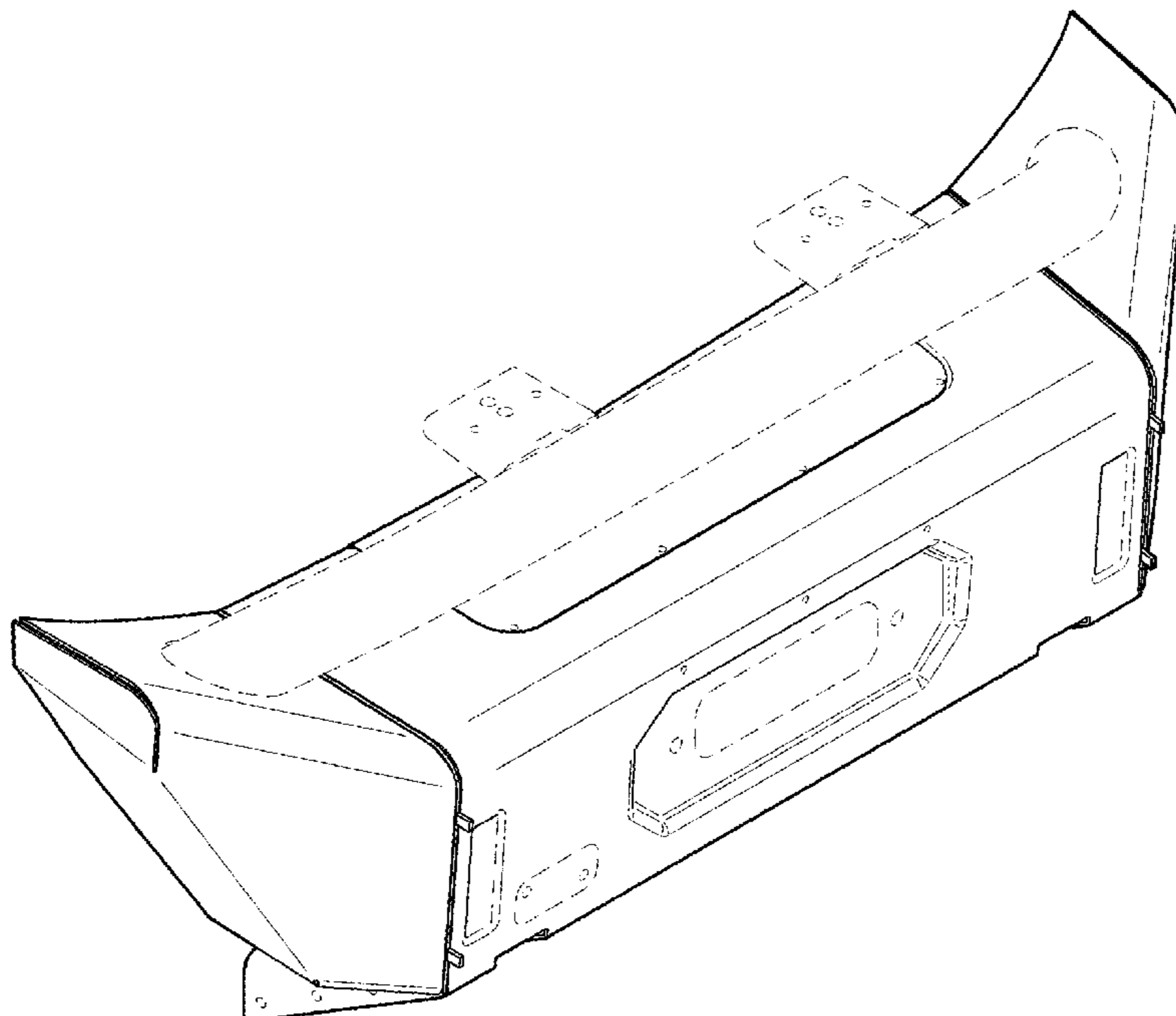
The ornamental design for a vehicle bumper, as shown and described.

DESCRIPTION

FIG. 1 is a top, front, and right side perspective view of the vehicle bumper embodying our design;
FIG. 2 is a bottom, front, and right side perspective view thereof;
FIG. 3 is a front elevation view thereof;
FIG. 4 is a top plan view thereof;
FIG. 5 is a bottom plan view thereof;
FIG. 6 is a right side elevation view thereof; and,
FIG. 7 is a left side elevation view thereof.
The broken lines represent portions of the vehicle bumper that form no part of the claim.

1 Claim, 6 Drawing Sheets

(56) **References Cited**
U.S. PATENT DOCUMENTS
D300,128 S * 3/1989 Brennan D12/169
D375,067 S * 10/1996 Bronstein D12/169
D432,469 S * 10/2000 Nelson D12/169
D502,433 S * 3/2005 McClanahan D12/169
7,703,834 B1 * 4/2010 Hardy B60R 9/06
296/102
D744,384 S * 12/2015 Harriton D12/169



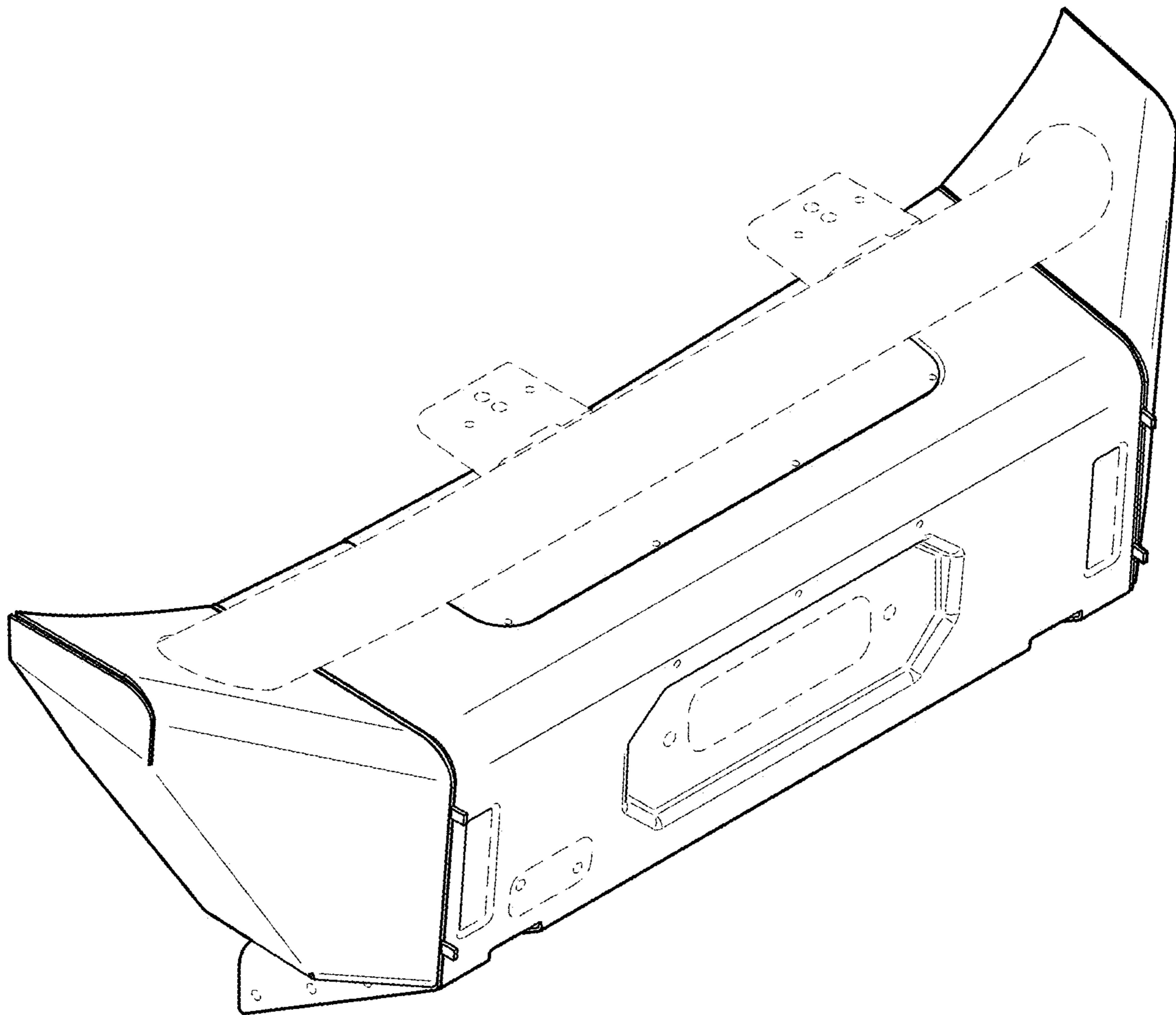


FIG. 1

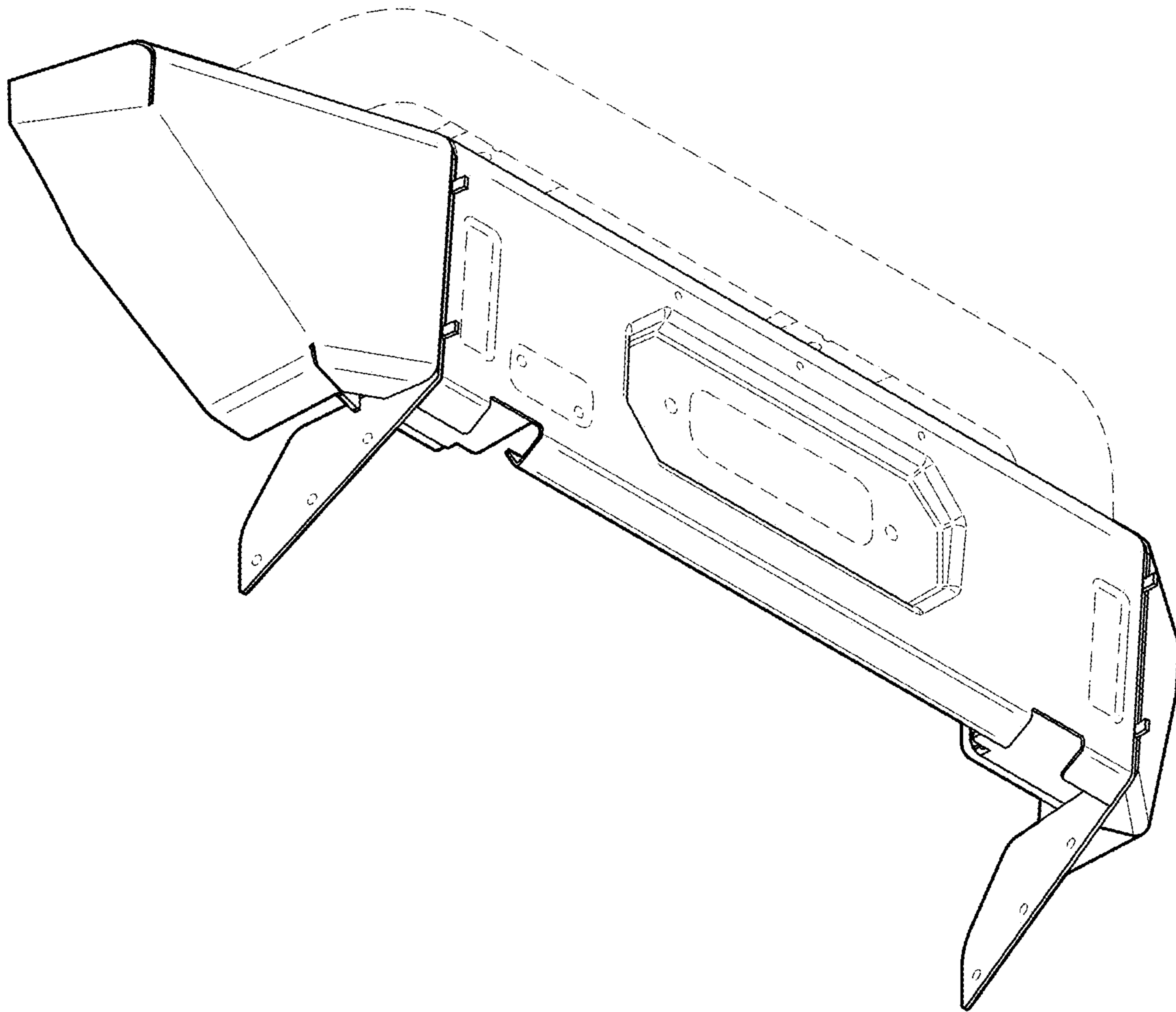


FIG. 2

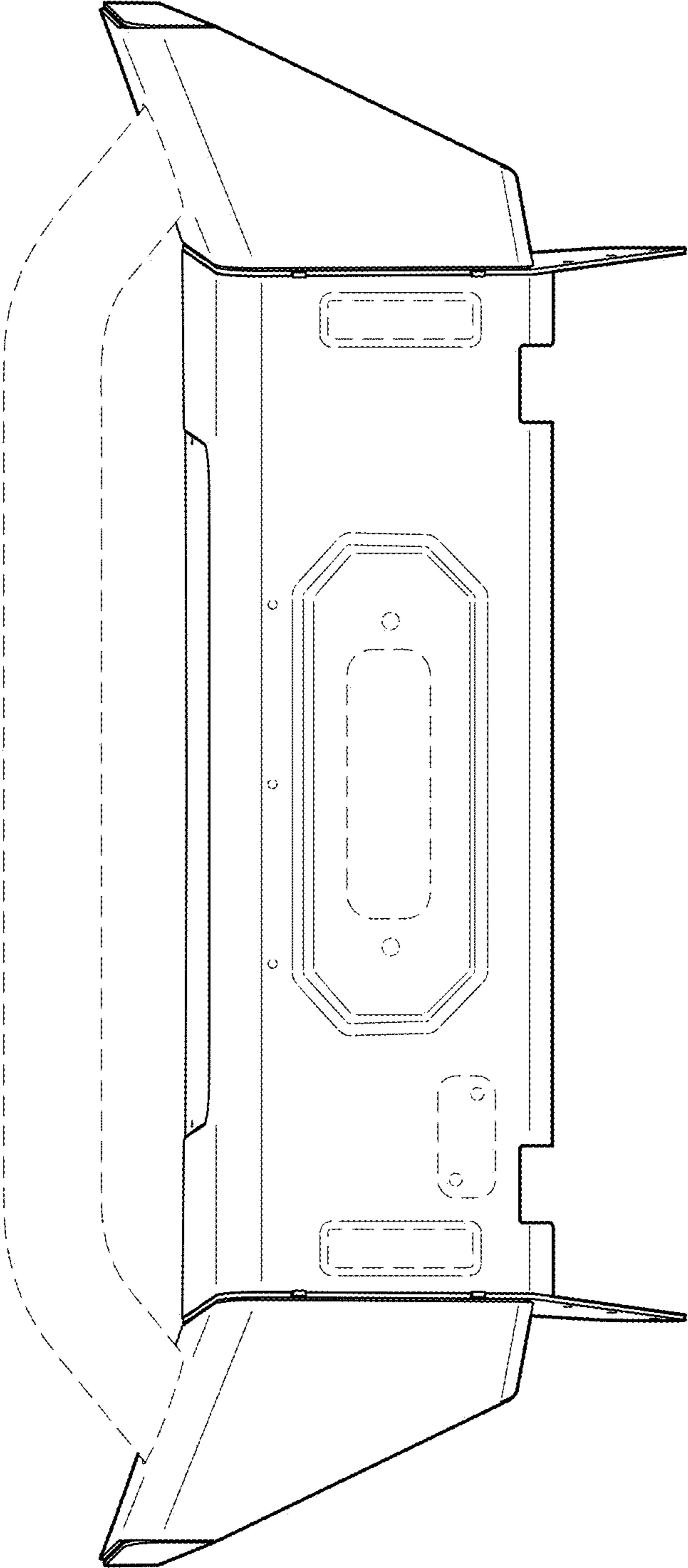


FIG. 3

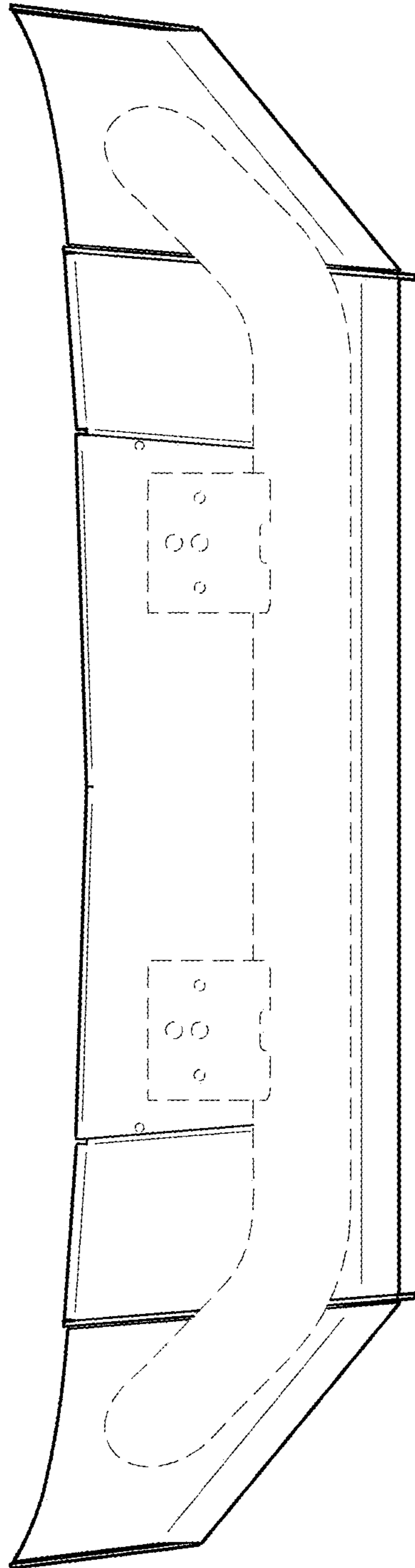


FIG. 4

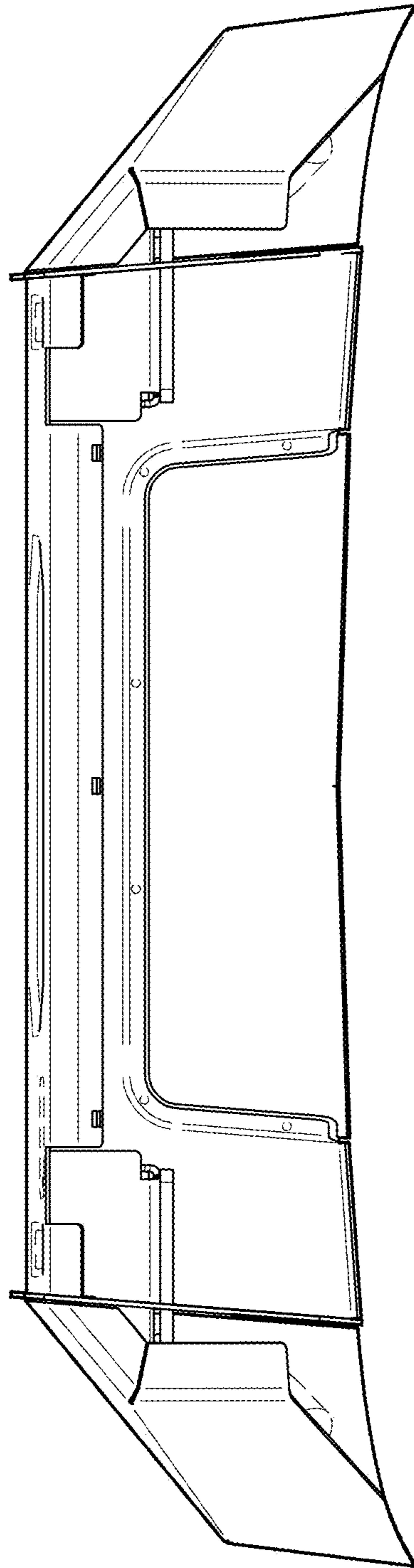


FIG. 5

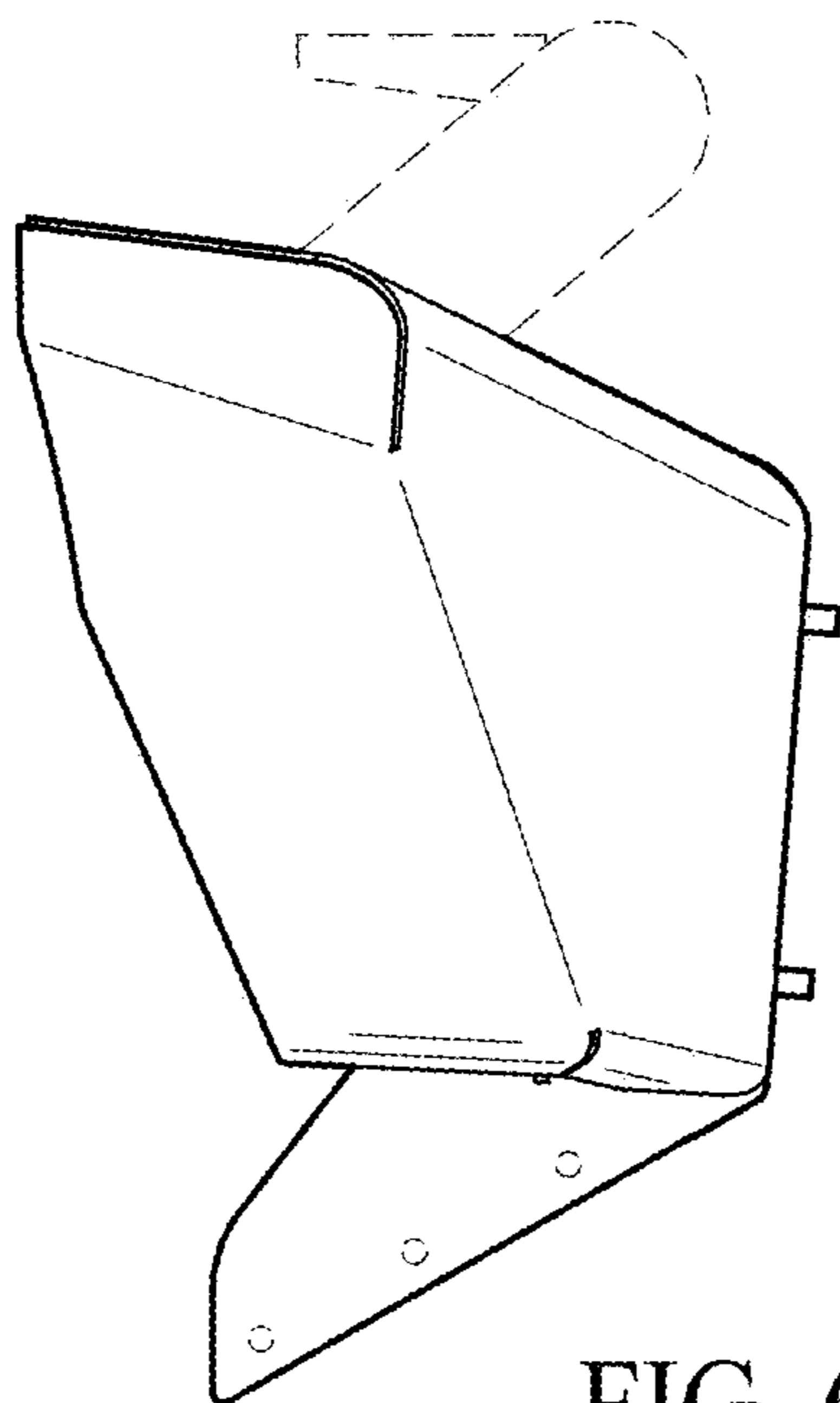


FIG. 6

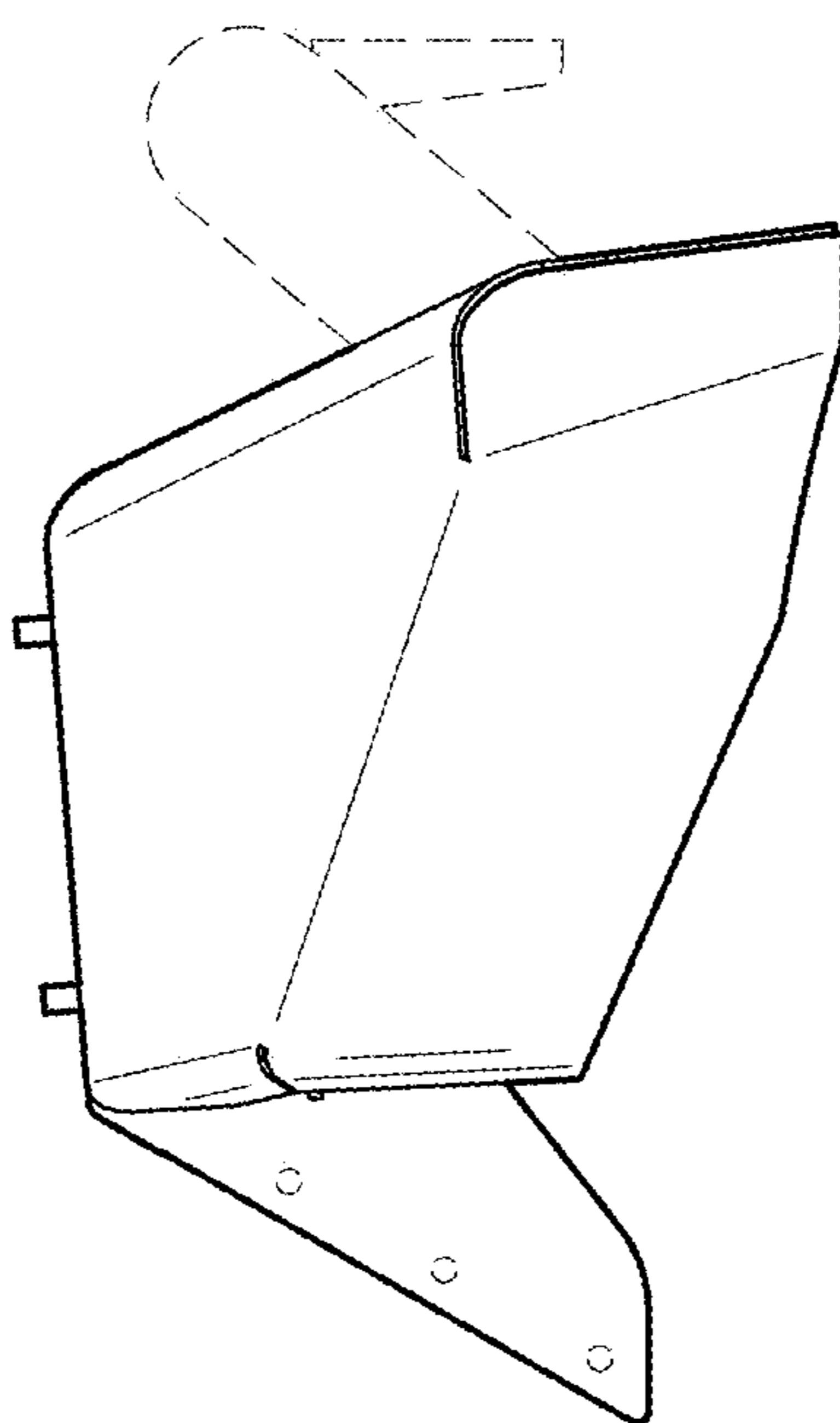


FIG. 7