



US00D921542S

(12) **United States Design Patent** (10) **Patent No.:** **US D921,542 S**  
**Brenner et al.** (45) **Date of Patent:** **\*\* Jun. 8, 2021**

(54) **WHEELCHAIR**

*Primary Examiner* — Darlington Ly

(71) Applicant: **Invacare International GmbH**,  
Witterswil (CH)

(74) *Attorney, Agent, or Firm* — Calfee, Halter &  
Griswold LLP

(72) Inventors: **Simon Brenner**, Basel (CH); **Michael Zeltner**, Arlesheim (CH); **Martin Hünig**, Reinach (CH)

(57) **CLAIM**

The ornamental design for a wheelchair, as shown and described.

(73) Assignee: **Invacare Corporation**, Elyria, OH (US)

**DESCRIPTION**

(\*\*) Term: **15 Years**

4.-5. Wheelchair

(21) Appl. No.: **35/506,979**

**4.1** is a front elevation view of a wheelchair showing our new design in accordance to a first embodiment;

(22) Filed: **Mar. 7, 2019**

**4.2** is a rear elevation view thereof;

(80) **Hague Agreement Data**

Int. Filing Date: **Mar. 7, 2019**

Int. Reg. No.: **DM/201525**

Int. Reg. Date: **Mar. 7, 2019**

Int. Reg. Pub. Date: **Jun. 28, 2019**

**4.3** is a right side elevation view thereof;

**4.4** is an enlarged and partial right side elevation view thereof for portion in Box A as shown in **4.3**;

**4.5** is a left side elevation view thereof;

**4.6** is an enlarged and partial left side elevation view thereof for portion in Box B as shown in **4.5**;

**4.7** is a top plan view thereof;

**4.8** is a bottom plan view thereof;

**4.9** is a front and right side perspective view thereof;

**4.10** is a front and right side perspective view thereof for portion in Box C as shown in **4.9**; and

**4.11** is a rear and right side perspective view thereof.

(30) **Foreign Application Priority Data**

Sep. 14, 2018 (WO) ..... WIPO75462

(51) **LOC (13) Cl.** ..... **12-12**

(52) **U.S. Cl.**  
USPC ..... **D12/131**

(58) **Field of Classification Search**  
USPC ..... D12/128–133  
CPC ..... A61G 5/00–14; A61G 5/041–047; A61G 2005/048

See application file for complete search history.

**5.1** is a front elevation view of a wheelchair showing our new design in accordance to a second embodiment;

**5.2** is a rear elevation view thereof;

**5.3** is a right side elevation view thereof;

**5.4** is an enlarged and partial right side elevation view thereof for portion in Box D as shown in **5.3**;

**5.5** is a left side elevation view thereof;

**5.6** is an enlarged and partial left side elevation view thereof for portion in Box E as shown in **5.5**;

**5.7** is a top plan view thereof;

**5.8** is a bottom plan view thereof;

**5.9** is a front and right side perspective view thereof;

**5.10** is a front and right side perspective view thereof for portion in Box F as shown in **5.9**; and

**5.11** is a rear and right side perspective view thereof.

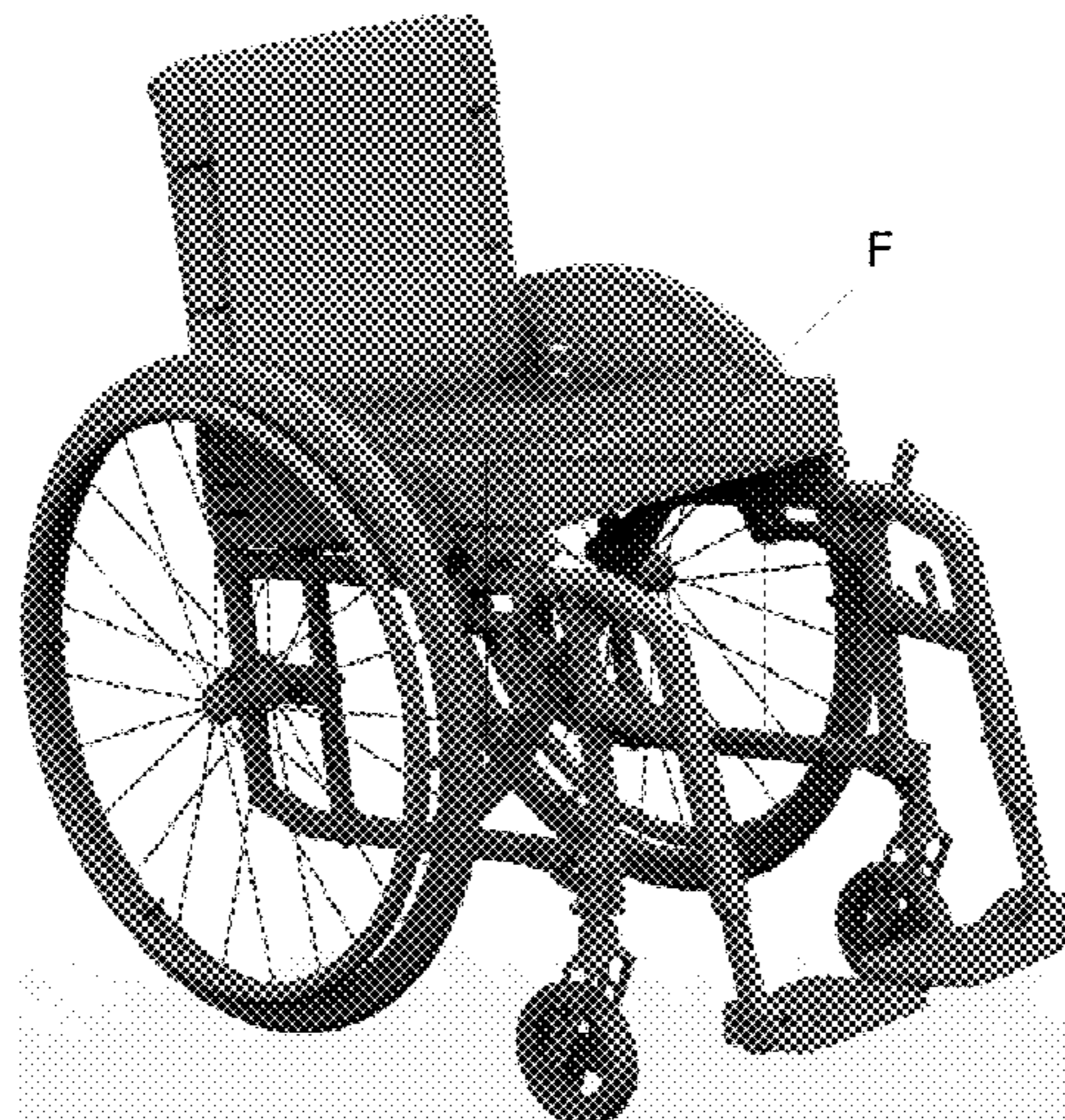
(56) **References Cited**

**U.S. PATENT DOCUMENTS**

D413,554 S \* 9/1999 Schlangen ..... D12/131  
D443,563 S \* 6/2001 Johnson ..... D12/131  
D462,639 S \* 9/2002 Lin ..... D12/131  
D475,952 S \* 6/2003 Nelson ..... D12/131

(Continued)

**1 Claim, 22 Drawing Sheets**



(56)

**References Cited**

## U.S. PATENT DOCUMENTS

D494,110	S	*	8/2004	Cheng	.....	D12/131
D503,364	S	*	3/2005	Miura	.....	D12/131
D530,650	S	*	10/2006	Azuma	.....	D12/131
D556,647	S	*	12/2007	Yamagishi	.....	D12/131
D561,651	S	*	2/2008	Yamagishi	.....	D12/131
D585,794	S	*	2/2009	Lin	.....	D12/131
D604,208	S	*	11/2009	Perk	.....	D12/131
D621,307	S	*	8/2010	Kagi	.....	D12/131
D627,270	S	*	11/2010	Kretschmer	.....	D12/131
D647,426	S	*	10/2011	Ward	.....	D12/1
D673,083	S	*	12/2012	Daff	.....	D12/133
D745,441	S	*	12/2015	Ohruh	.....	D12/131
D770,331	S	*	11/2016	Gabriely	.....	D12/131
D786,740	S	*	5/2017	Abe	.....	D12/128
D788,652	S	*	6/2017	Mutsuro	.....	D12/131
D793,289	S	*	8/2017	Jahkel	.....	D12/128
9,770,376	B2	*	9/2017	Robins	.....	A61G 5/125

\* cited by examiner

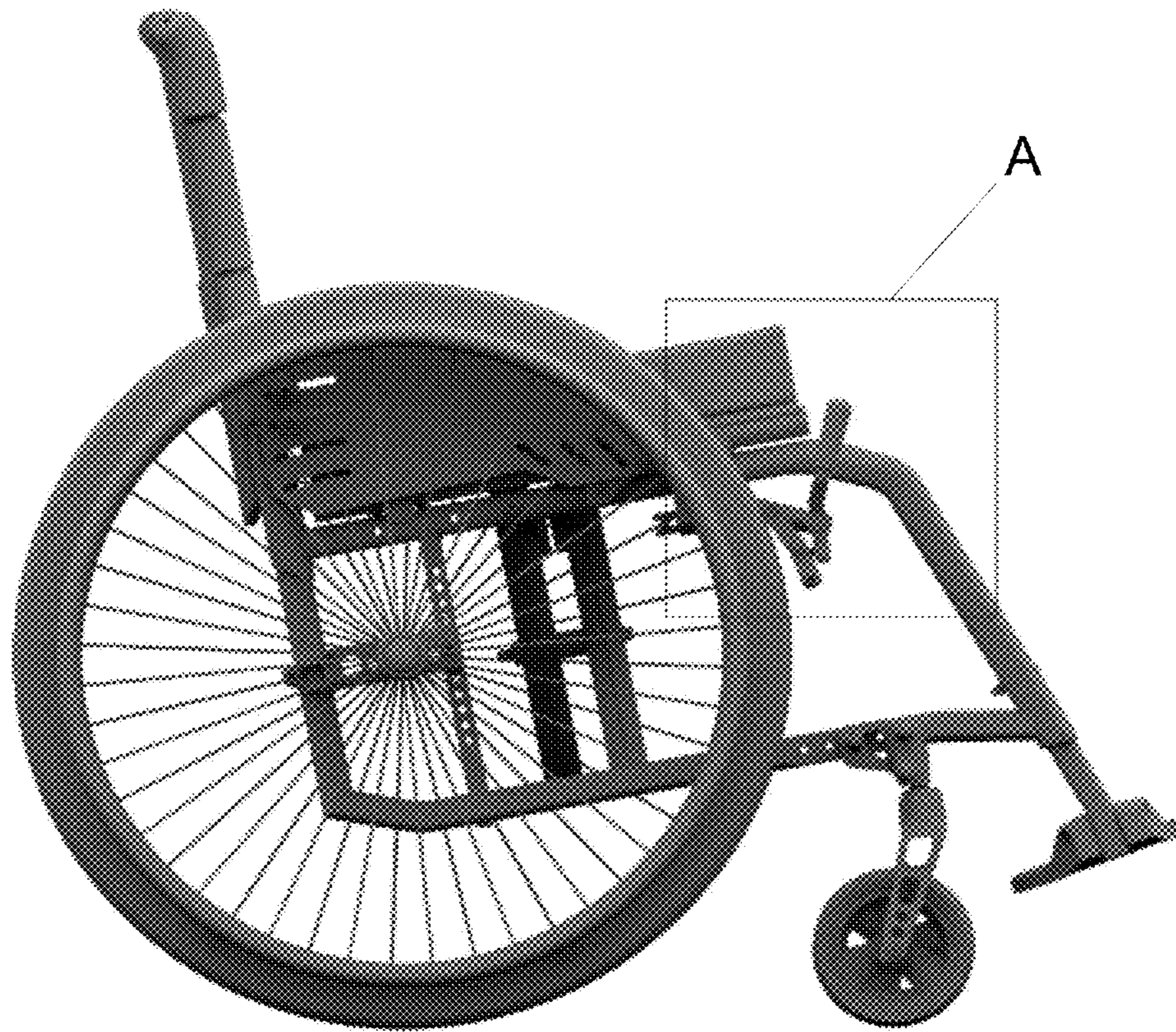
4.1



4.2



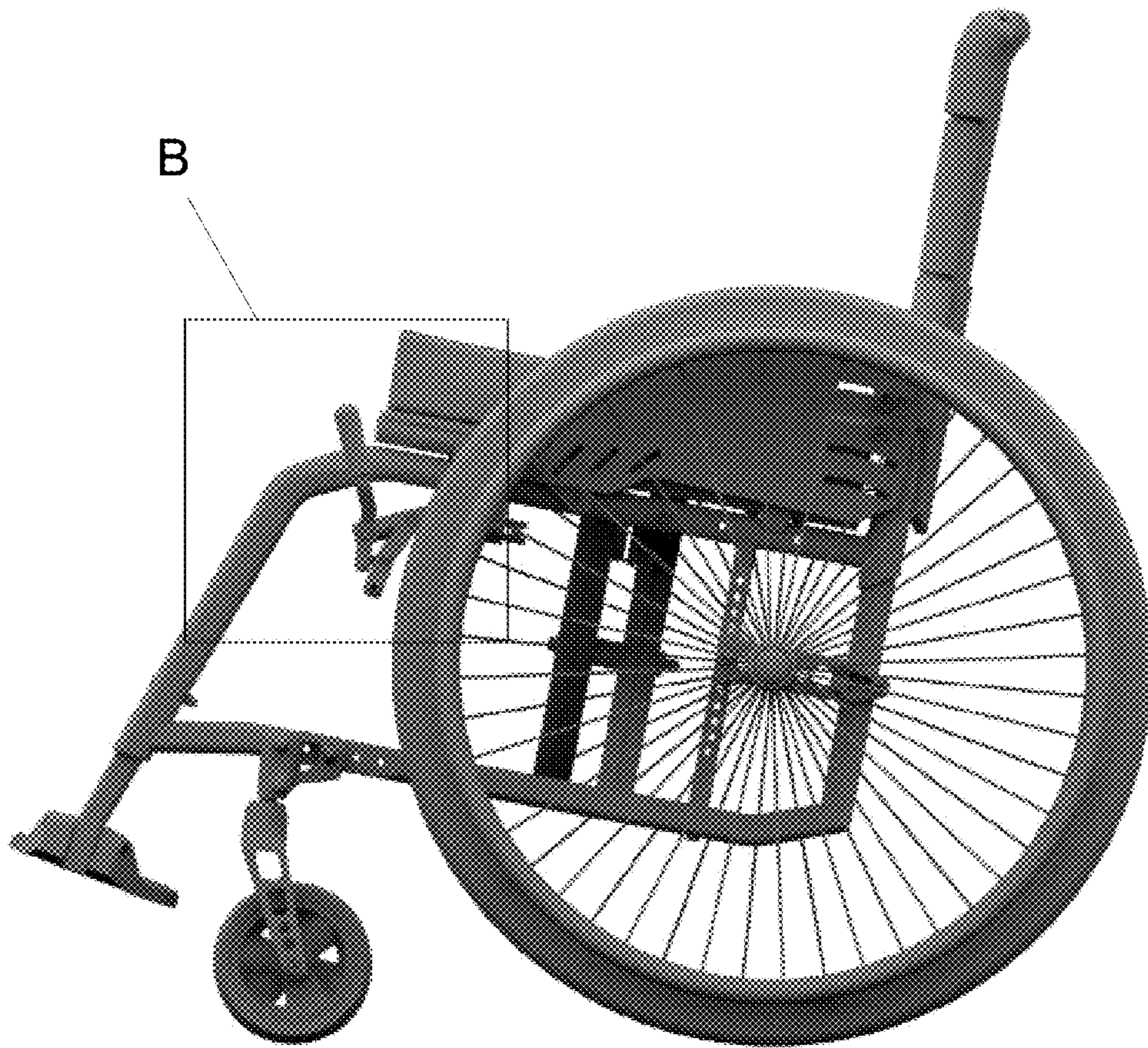
4.3



4.4



4.5

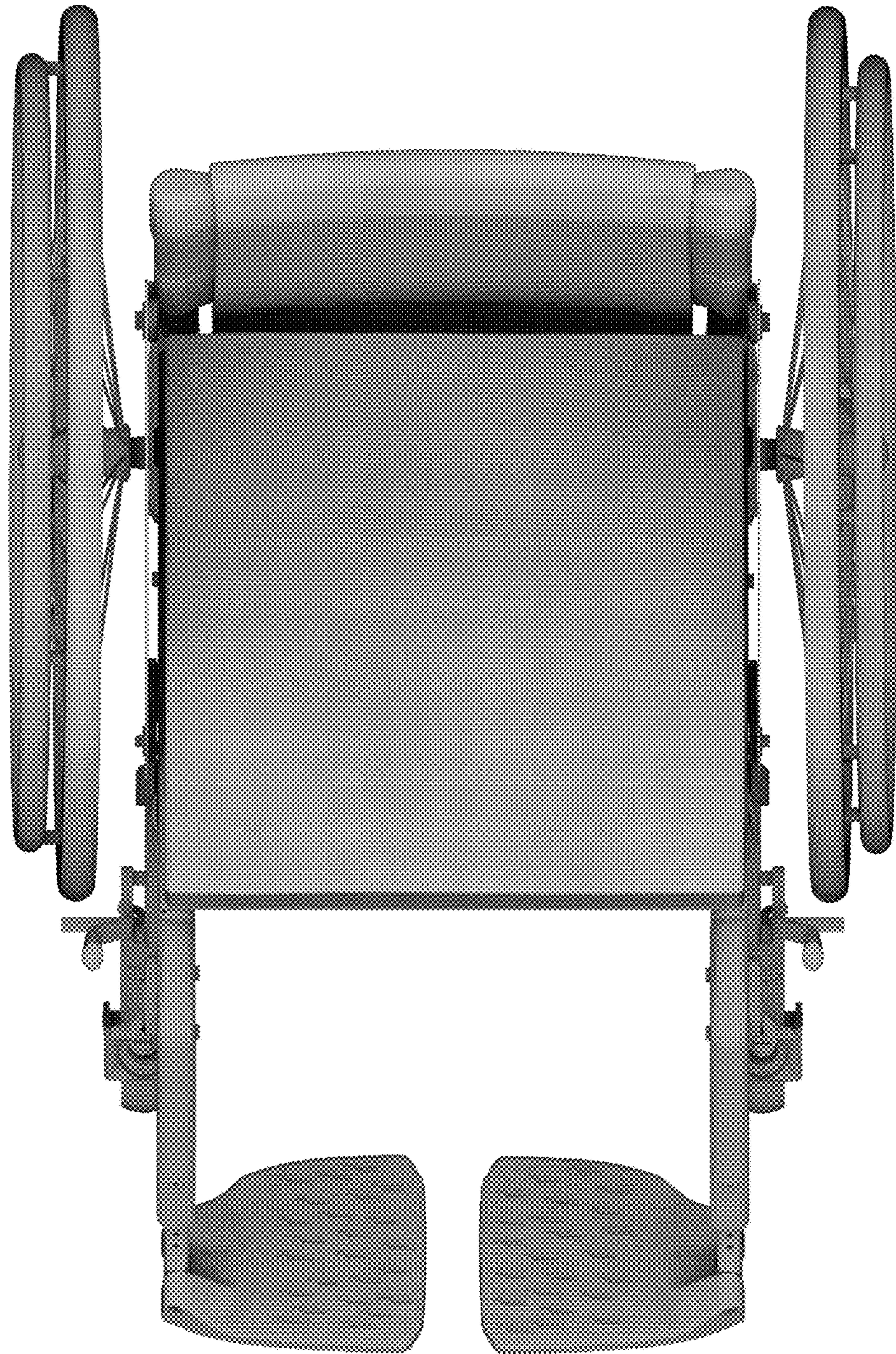


4.6

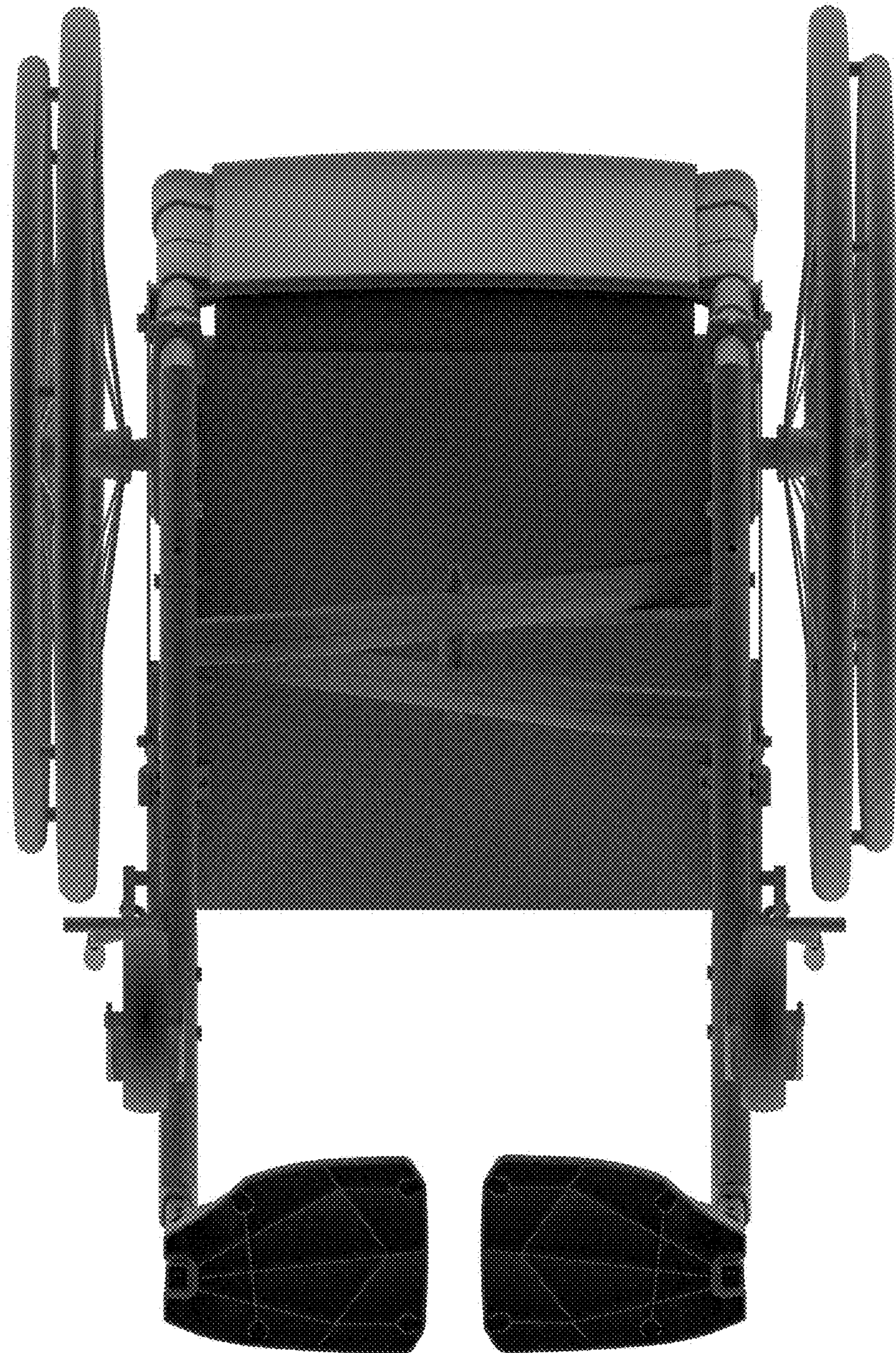




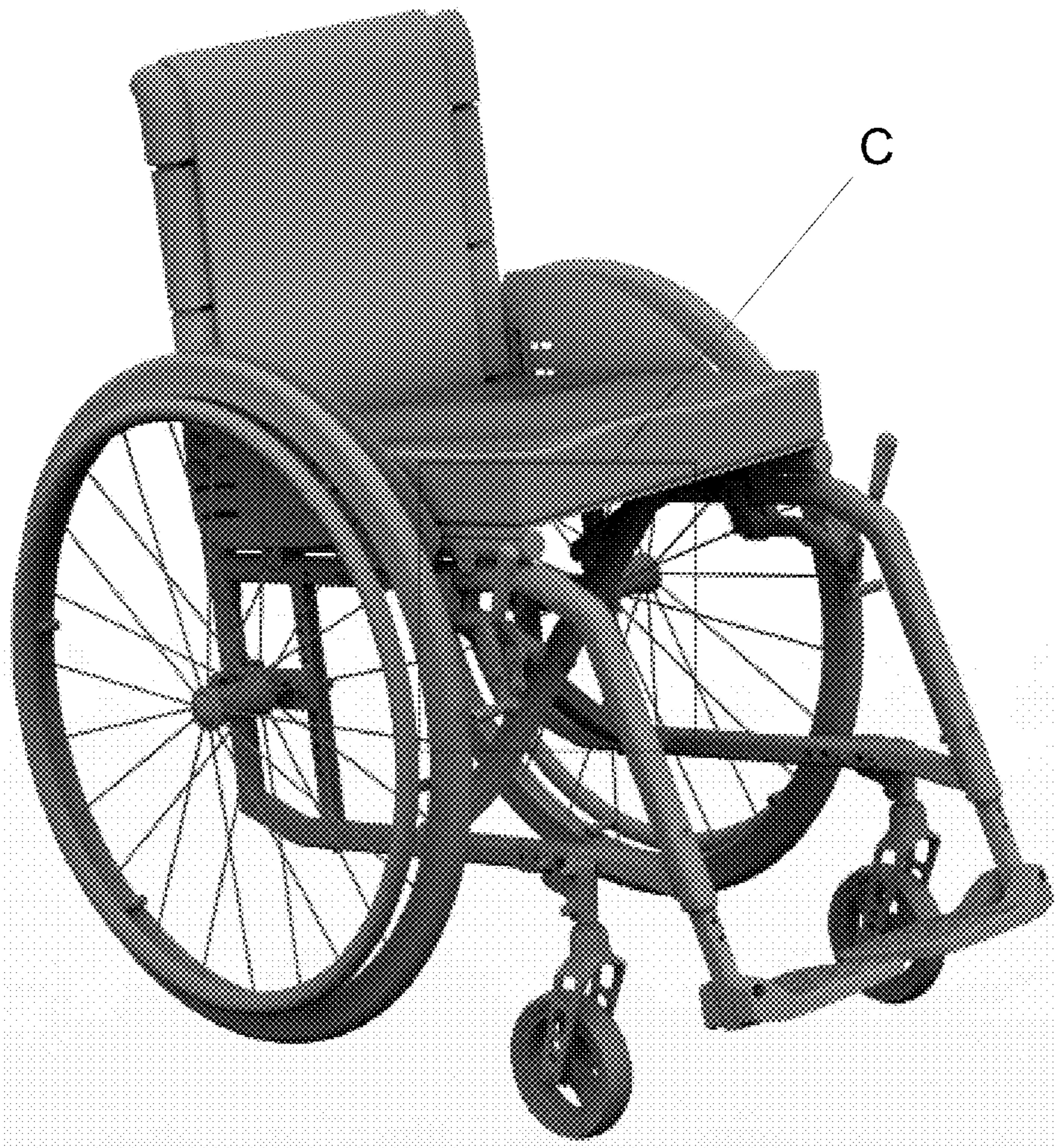
4.7



4.8



4.9



4.10



4.11



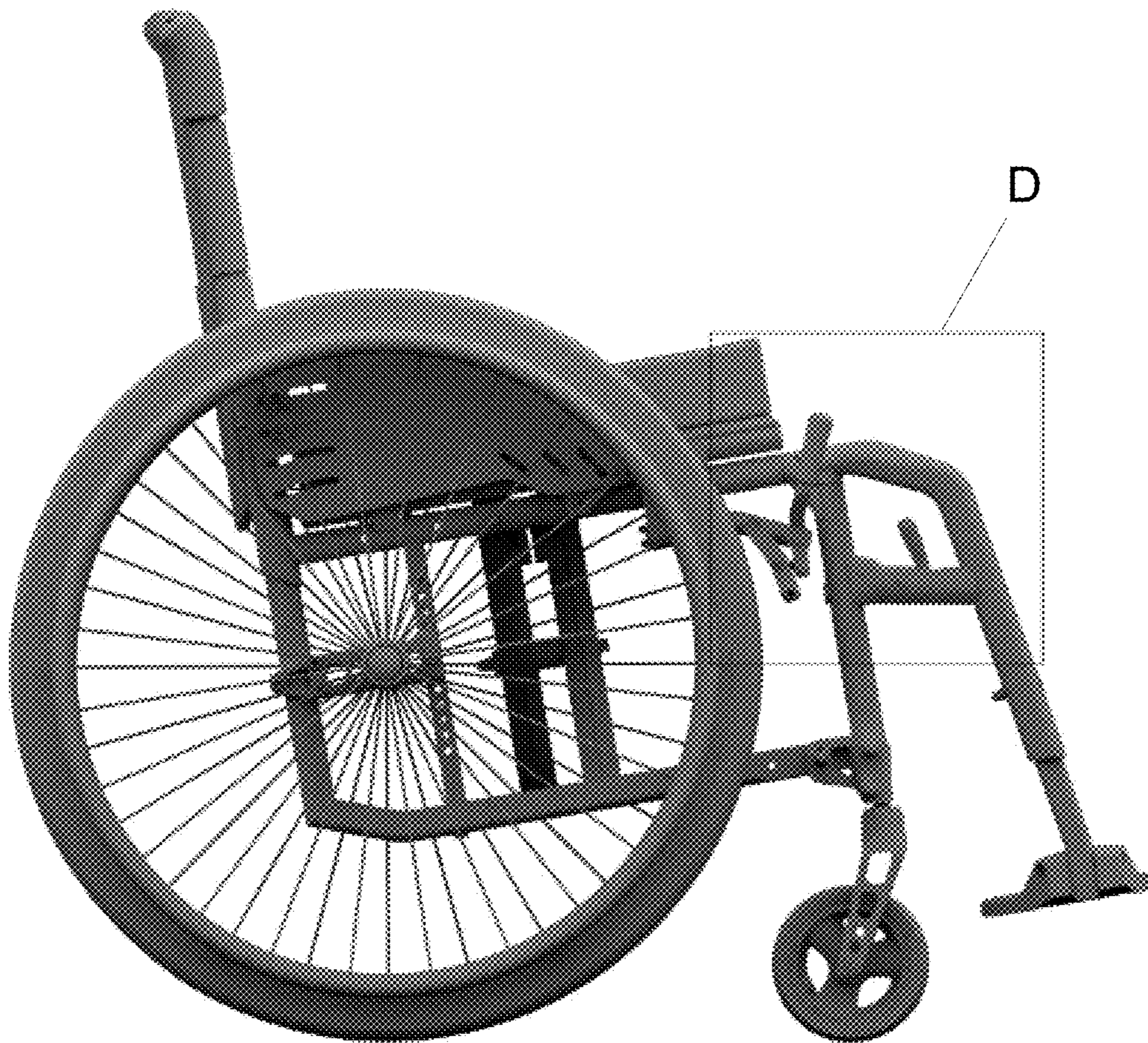
5.1



5.2



5.3

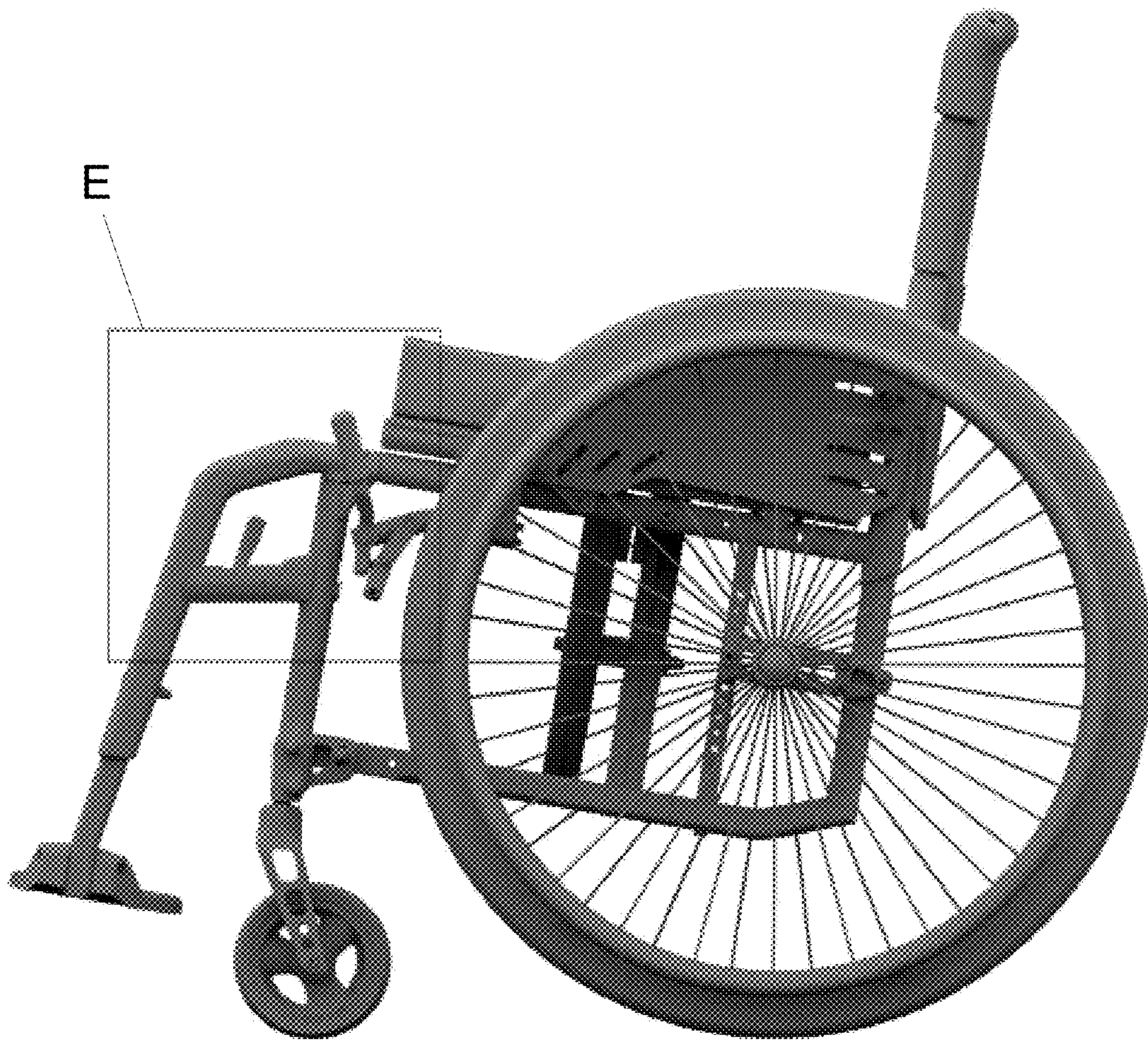




5.4



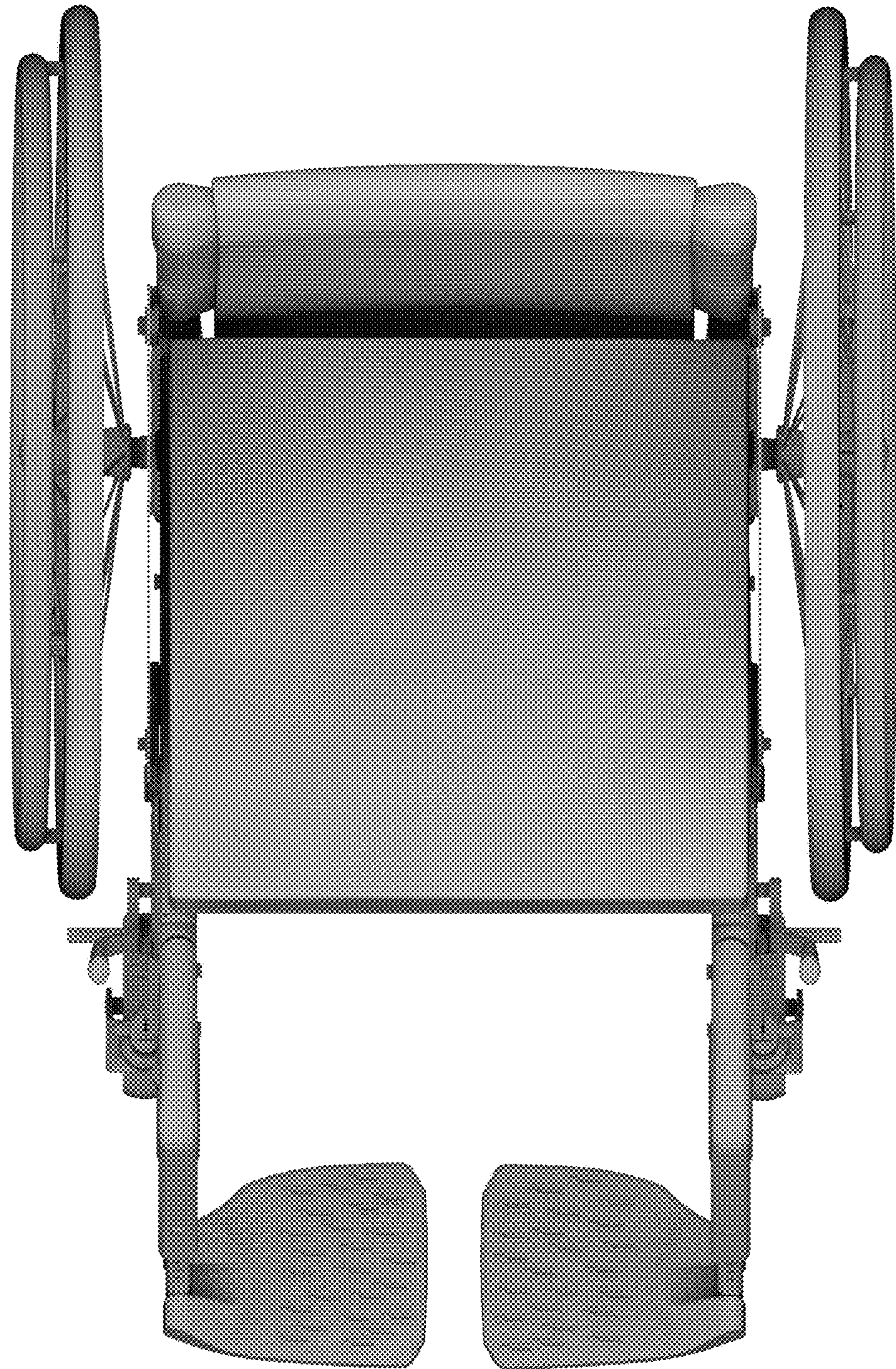
5.5



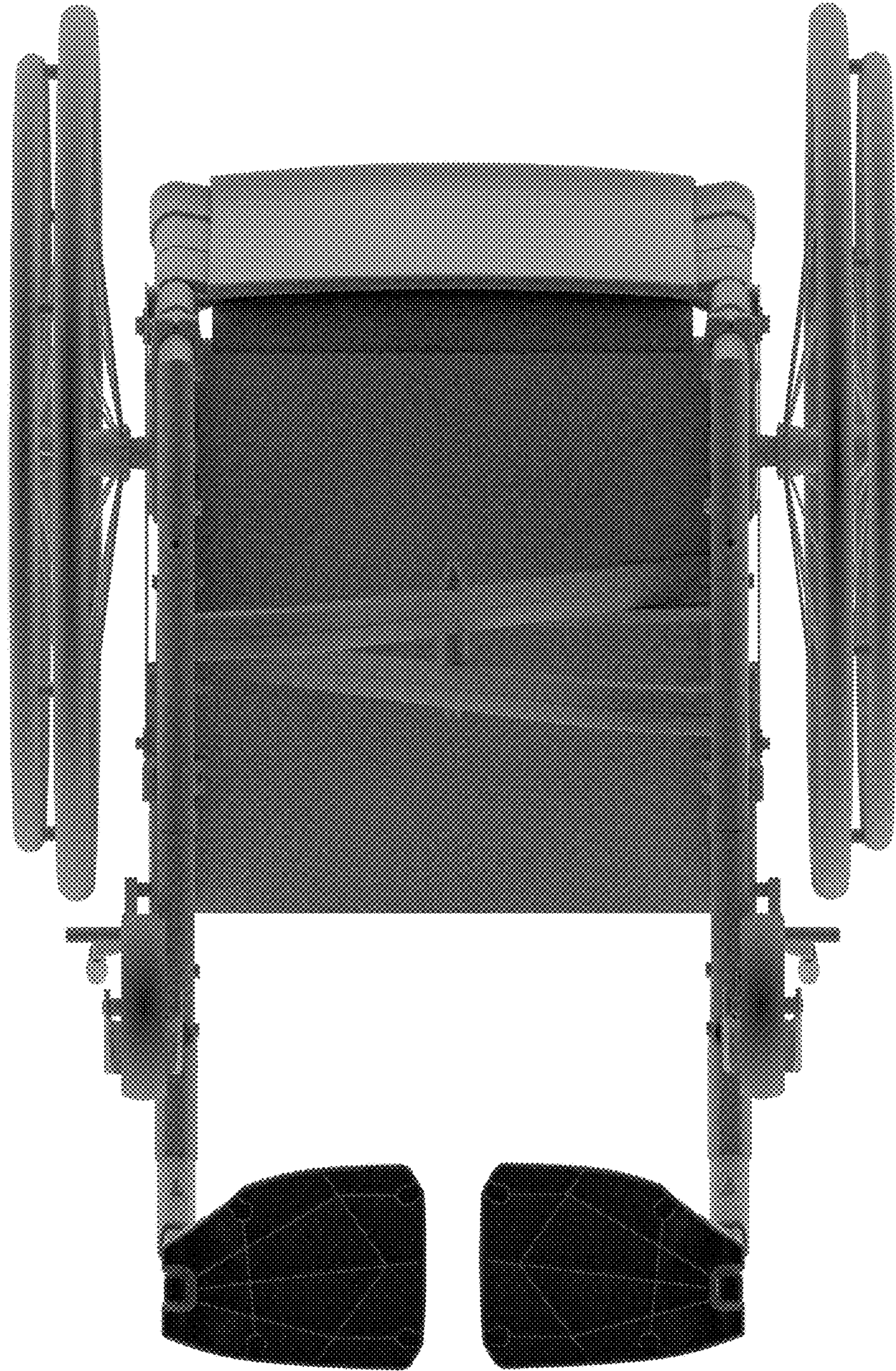
5.6



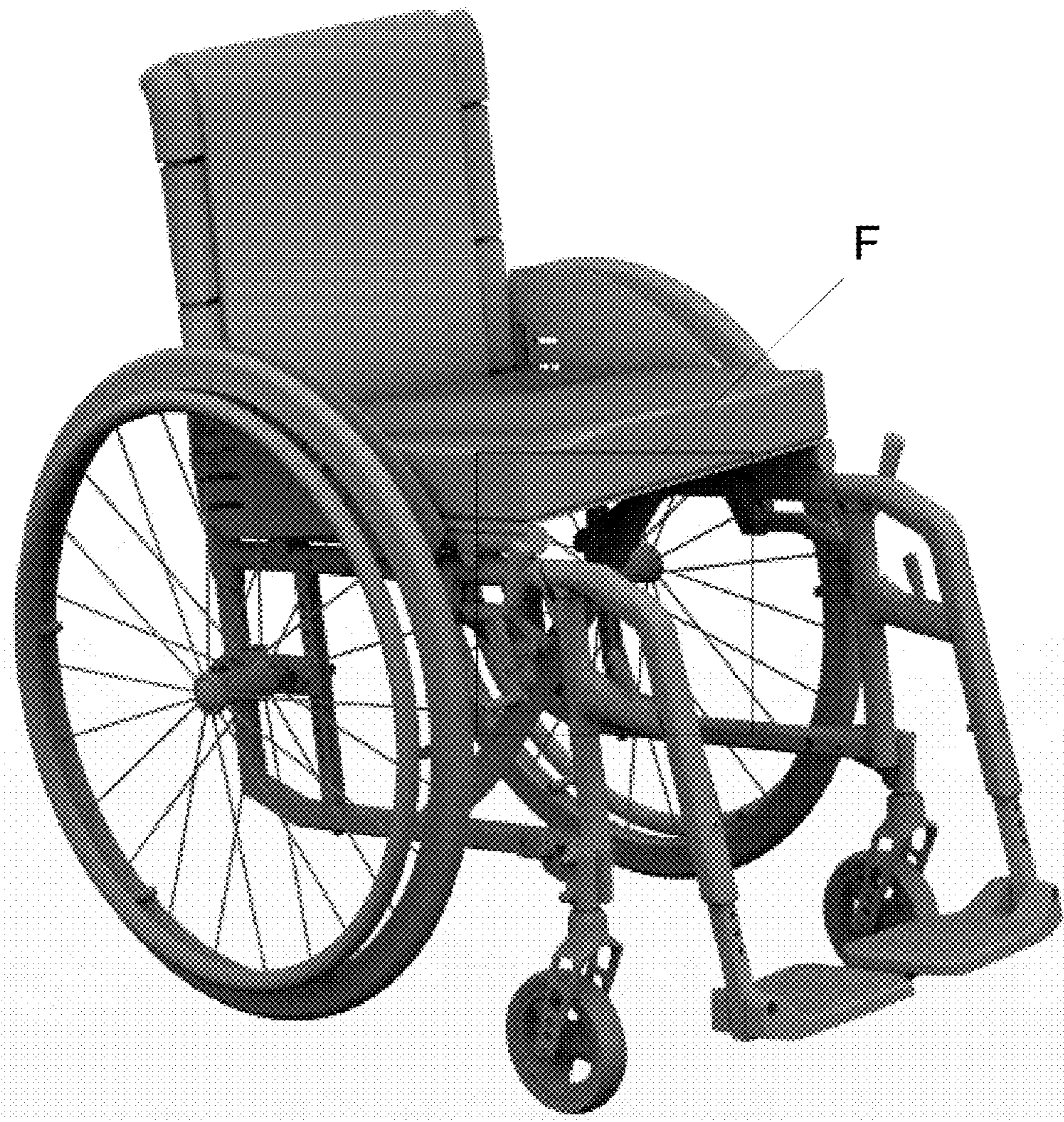
5.7



5.8



5.9



5.10



5.11

