



US00D921539S

(12) **United States Design Patent** (10) **Patent No.:** **US D921,539 S**
Chambers et al. (45) **Date of Patent:** **** Jun. 8, 2021**

(54) **MOTORBIKE REAR SWING ARM WITH MUD FLAP**

Retrieved from the Internet <URL: <https://www.revzilla.com/motorcycle/rizoma-front-fender-for-harley-softail-1986-2017>> (Year: 2015).*

(71) Applicant: **Super73, Inc.**, Irvine, CA (US)

(Continued)

(72) Inventors: **Ian Chambers**, Irvine, CA (US);
Legrand Crewse, Irvine, CA (US)

Primary Examiner — Darlington Ly
Assistant Examiner — Nasim Abdulaziz Ali

(73) Assignee: **Super73, Inc.**, Irvine, CA (US)

(74) *Attorney, Agent, or Firm* — Stradling Yocca Carlson & Rauth

(**) Term: **15 Years**

(57) **CLAIM**

The ornamental design for a motorbike rear swing arm with mud flap, as shown and described.

(21) Appl. No.: **29/722,036**

DESCRIPTION

(22) Filed: **Jan. 24, 2020**

(51) **LOC (13) Cl.** **12-11**

(52) **U.S. Cl.**
USPC **D12/117**

(58) **Field of Classification Search**
USPC D12/110, 114, 117, 118; 180/219, 226,
180/284–286
CPC . B62K 3/00; B62K 3/005; B62K 9/00; B62K
19/02; B62K 19/04; B62K 19/06; B62K
19/16
See application file for complete search history.

FIG. 1 is a top perspective view showing environmental structure of the top, rear, and right sides of a motorbike rear swing arm with mud flap;

FIG. 2 is a top perspective view showing environmental structure of the top, front, and left sides of the motorbike rear swing arm with mud flap;

FIG. 3 is a top perspective view showing the top, front, and left sides of the motorbike rear swing arm with mud flap;

FIG. 4 is a top perspective view showing the top, rear, and right sides of the motorbike rear swing arm with mud flap;

FIG. 5 is a right side elevation view of the motorbike rear swing arm with mud flap;

FIG. 6 is a left side elevation view of the motorbike rear swing arm with mud flap;

FIG. 7 is a front elevation view of the motorbike rear swing arm with mud flap;

FIG. 8 is a rear elevation view of the motorbike rear swing arm with mud flap;

FIG. 9 is a top plan view of the motorbike rear swing arm with mud flap; and,

FIG. 10 is a bottom plan view of the motorbike rear swing arm with mud flap.

The broken line showing of portions of the motorbike are provided for the purpose of illustrating environmental structure and form no part of the claimed design.

(56) **References Cited**

U.S. PATENT DOCUMENTS

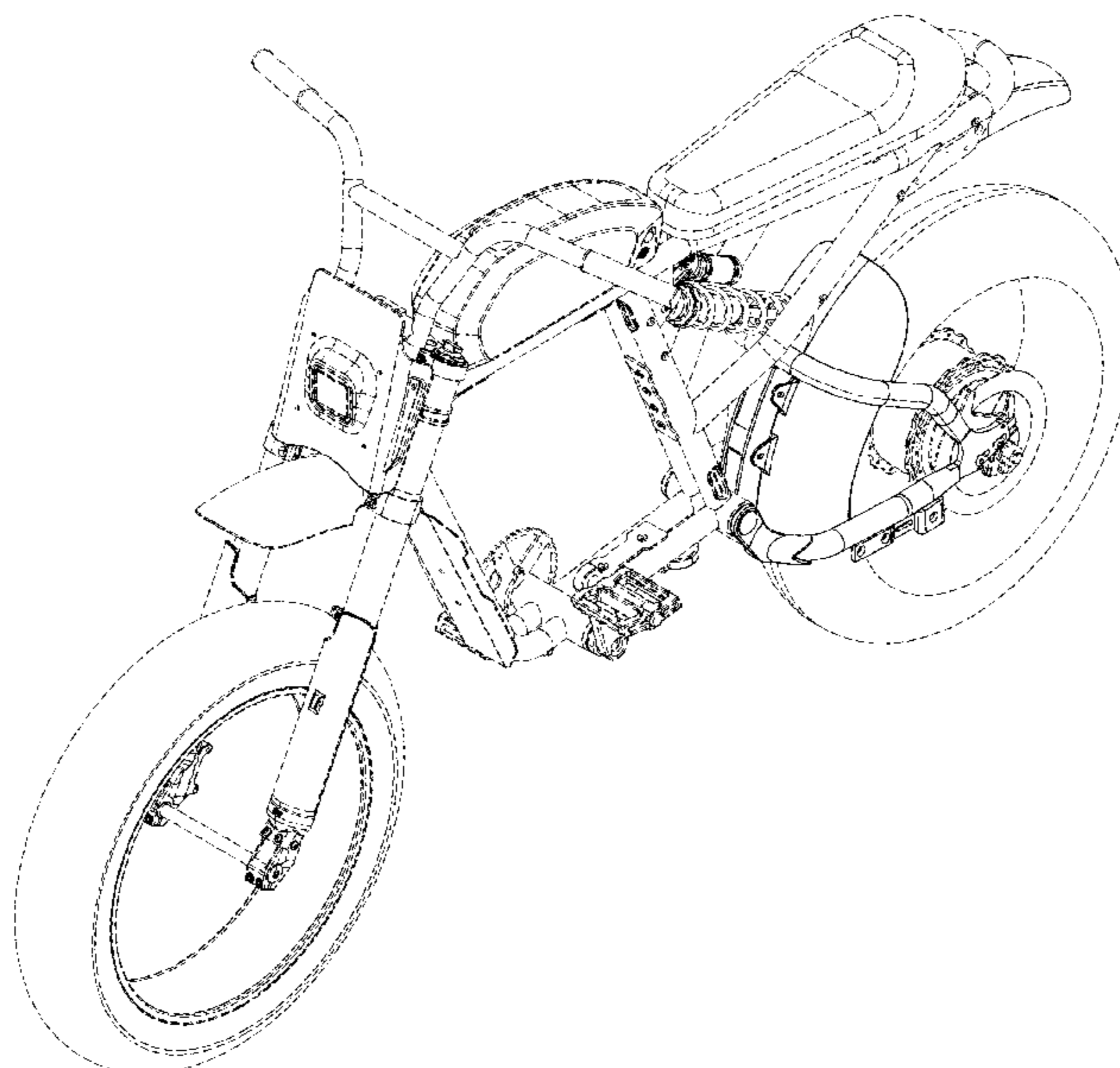
| | | | | |
|--------------|--------|-----------|-------|---------|
| D409,539 S * | 5/1999 | Hanlon | | D12/186 |
| D442,893 S * | 5/2001 | Golden | | D12/114 |
| D456,329 S * | 4/2002 | Thomas | | D12/186 |
| D476,933 S * | 7/2003 | Yamaguchi | | D12/186 |

(Continued)

OTHER PUBLICATIONS

“Rizoma Front Fender for Harley Softail 1986-2017” Revzilla., posted date Sep. 19, 2015 [online], [retrieved on Jan. 25, 2021].

1 Claim, 6 Drawing Sheets



(56)

References Cited

U.S. PATENT DOCUMENTS

| | | | | | | |
|----------|---|---|---------|--------------|-------|---------|
| D481,980 | S | * | 11/2003 | Song | | D12/186 |
| D496,614 | S | * | 9/2004 | Everitt | | D12/186 |
| D503,363 | S | * | 3/2005 | Alsop | | D12/117 |
| D504,847 | S | * | 5/2005 | James | | D12/117 |
| D509,462 | S | * | 9/2005 | Ford | | D12/117 |
| D521,419 | S | * | 5/2006 | Mezzasalma | | D12/117 |
| D542,191 | S | * | 5/2007 | Alsop | | D12/117 |
| D551,142 | S | * | 9/2007 | Simpson | | D12/186 |
| D612,781 | S | * | 3/2010 | Harrell, Jr. | | D12/186 |
| D768,543 | S | * | 10/2016 | Ormsbee | | D12/114 |
| D813,768 | S | * | 3/2018 | Serotta | | D12/186 |
| D877,674 | S | * | 3/2020 | Procuik | | D12/184 |

OTHER PUBLICATIONS

“K-racing Rear Fender Bracket Mudguard” Generic Amazon., posted date Oct. 5, 2016 [online], [retrieved on Jan. 25, 2021]. Retrieved from the Internet <URL: <https://www.amazon.com/K-racing-Fender-Bracket-Mudguard-License/dp/B07N8MDS4Q>> (Year: 2016).*

“Qiilu Motorcycle Rear Fender” Revzilla., posted date Nov. 24, 2020 [online], [retrieved on Jan. 25, 2021]. Retrieved from the Internet <URL: <https://tinyurl.com/y4sgza9f>> (Year: 2020).*

* cited by examiner

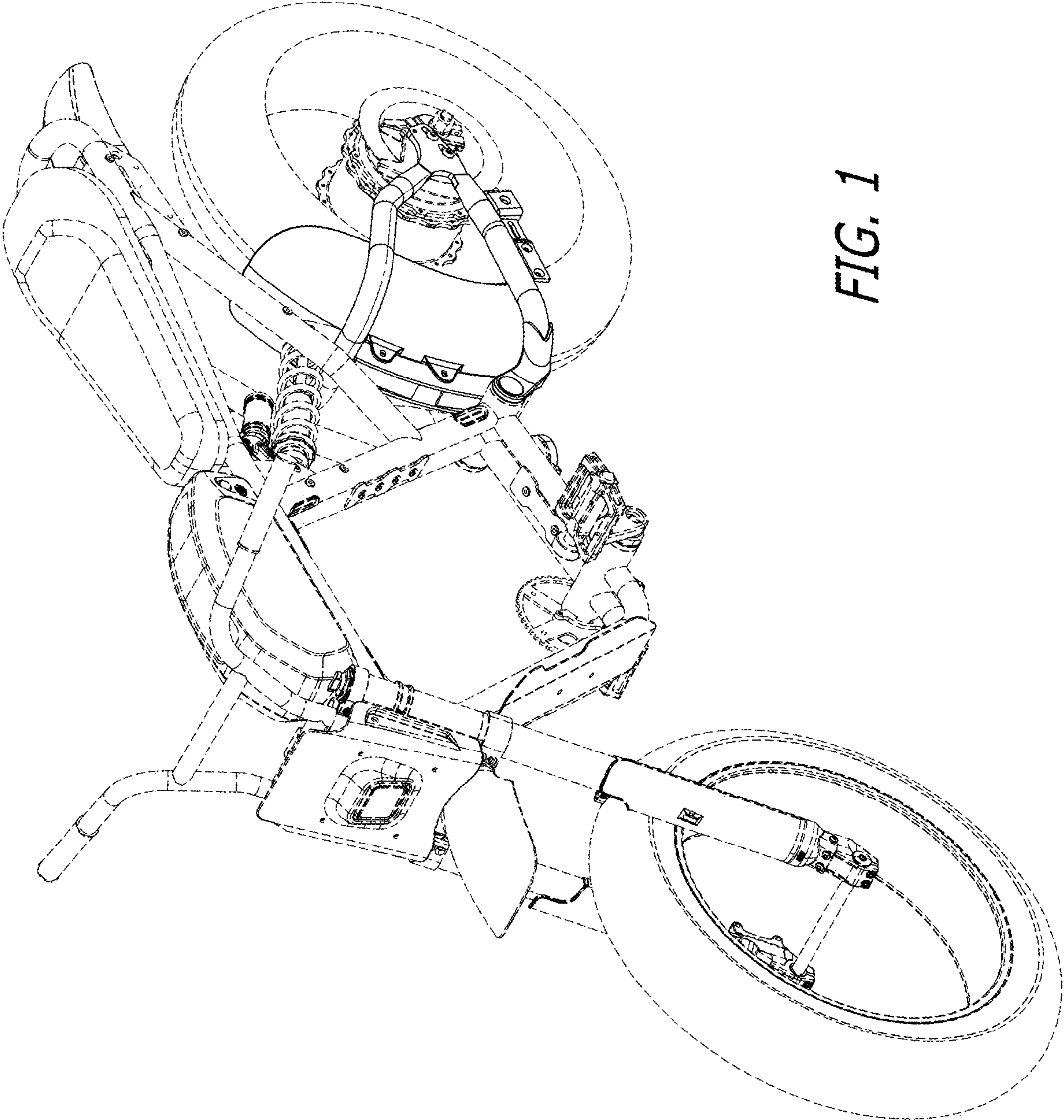


FIG. 1

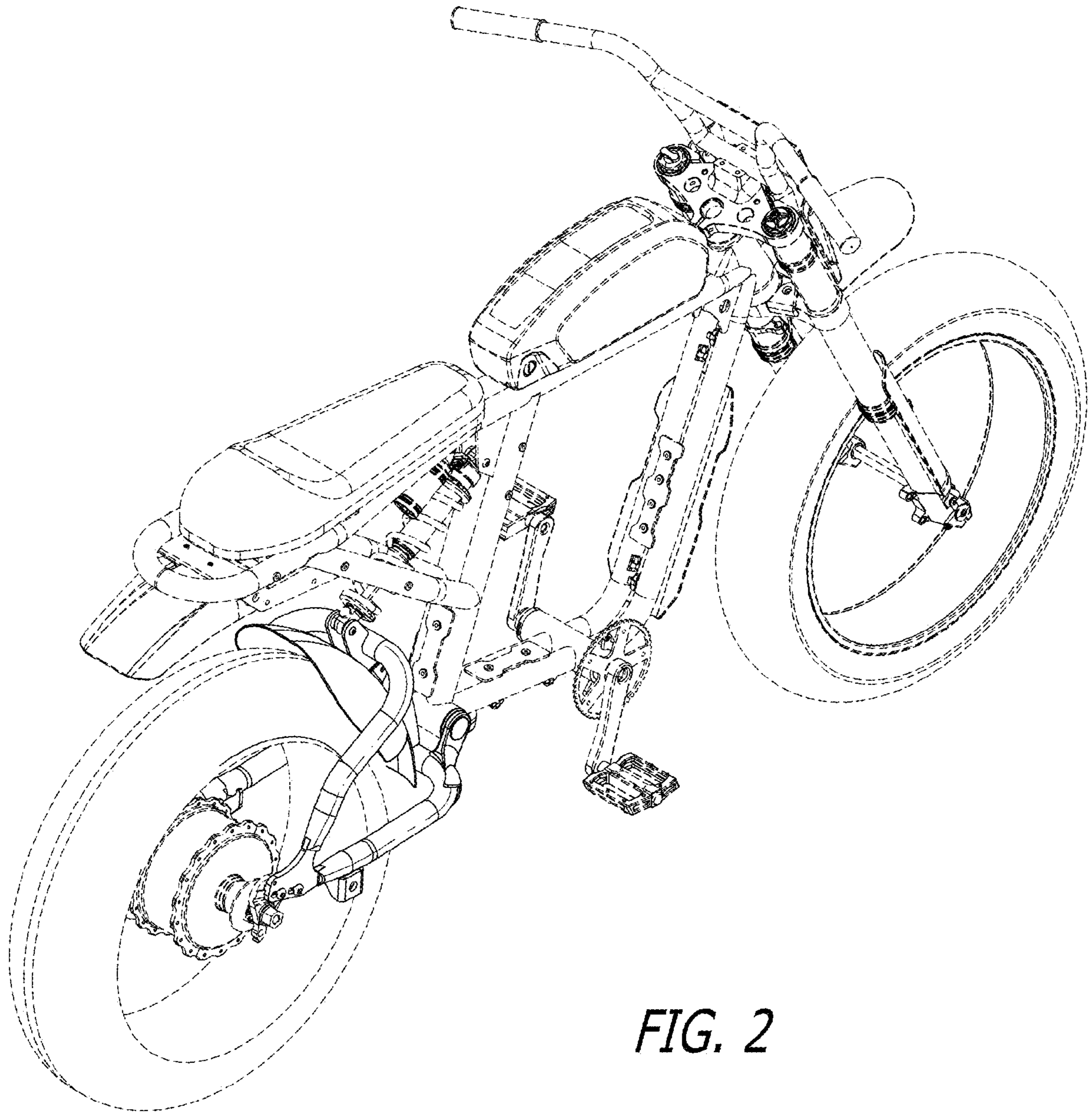


FIG. 2

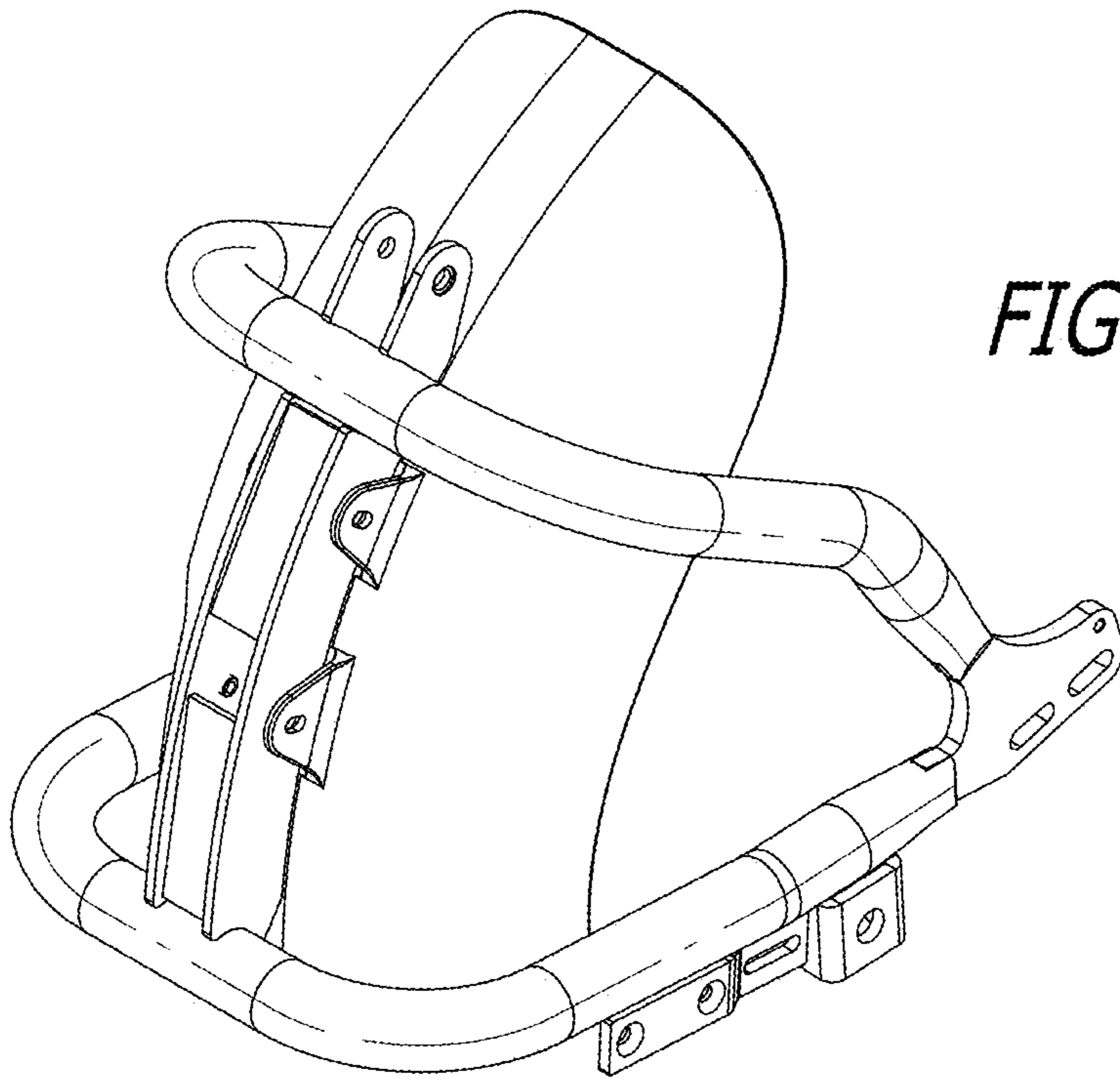


FIG. 3

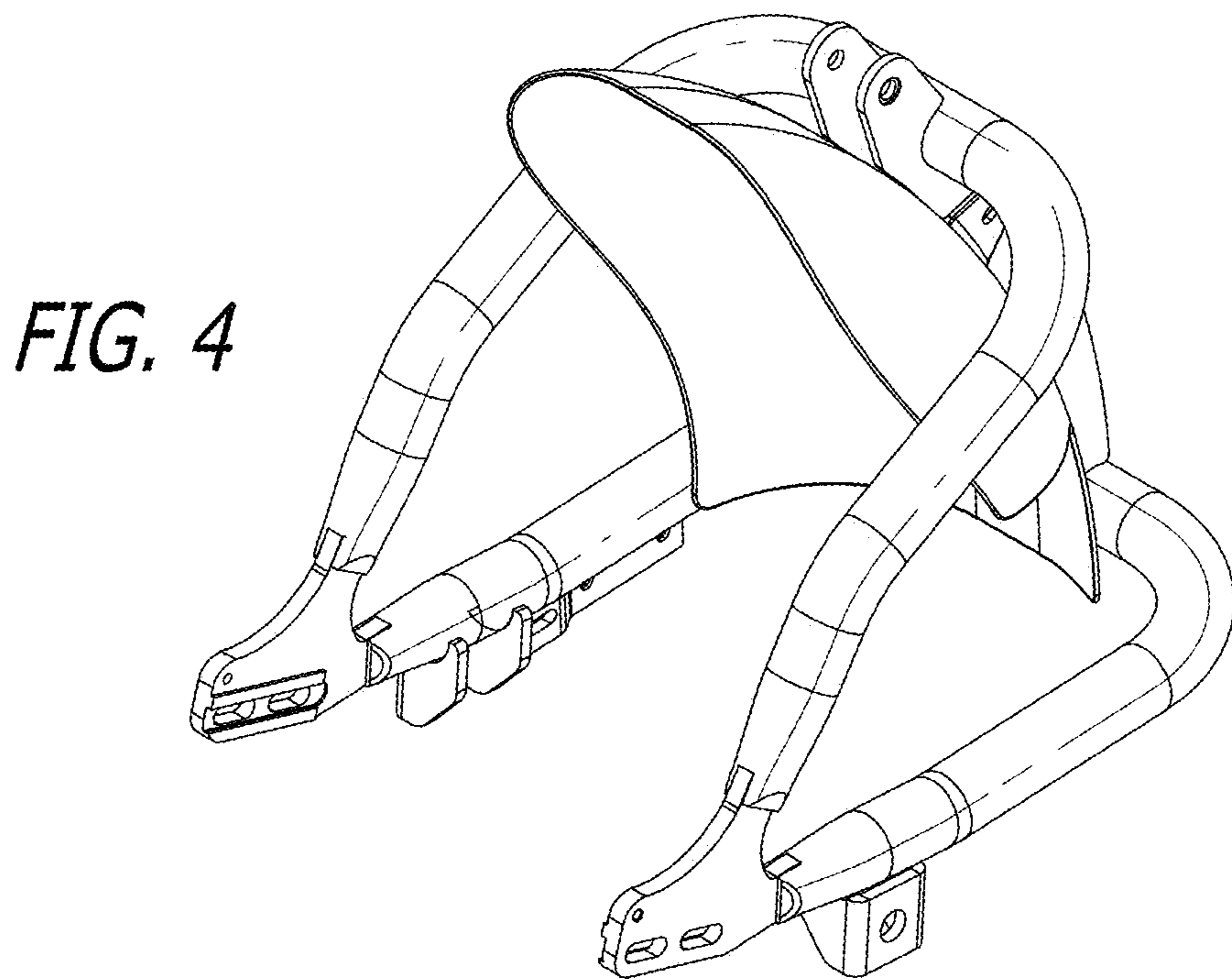


FIG. 4

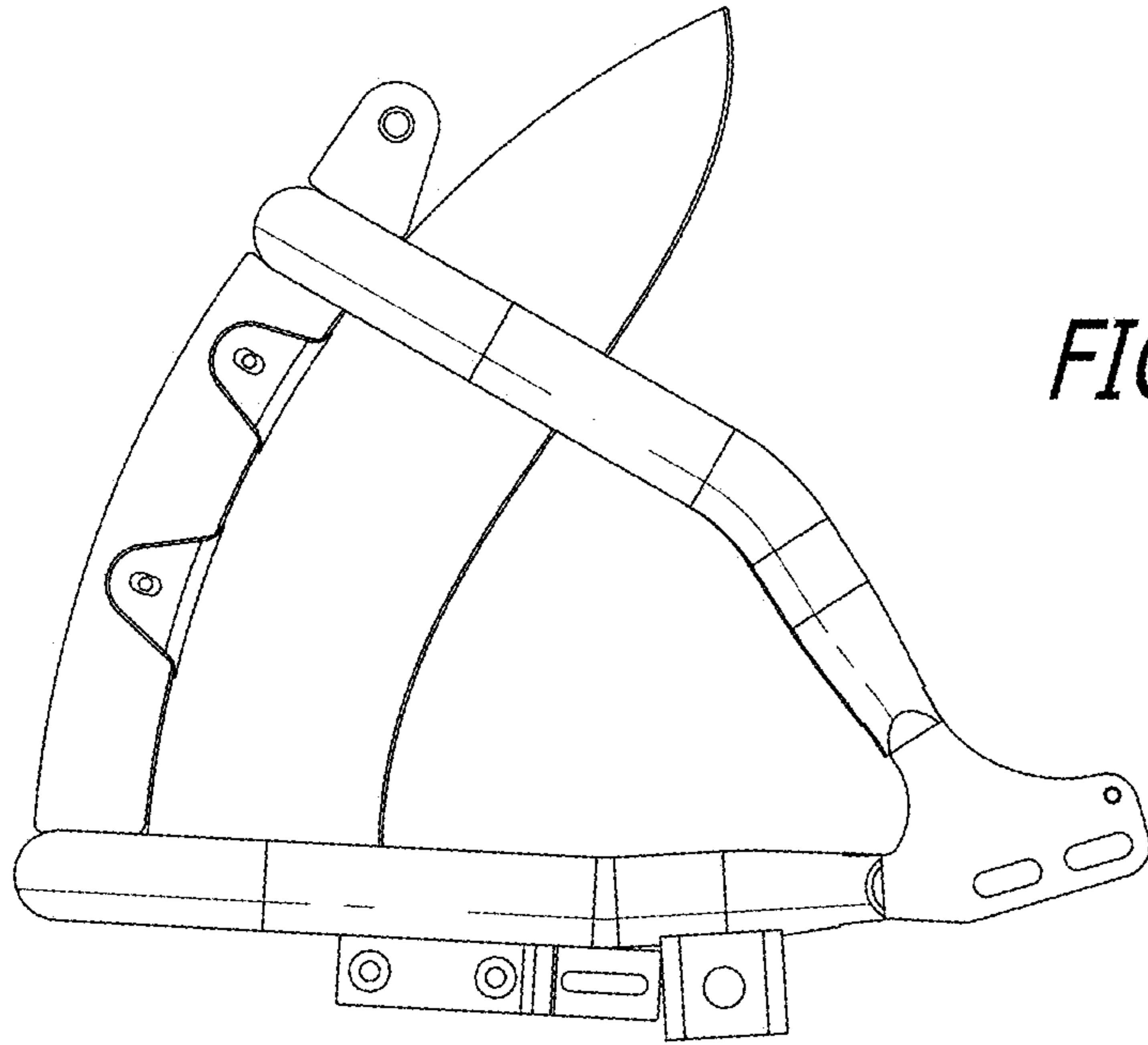


FIG. 5

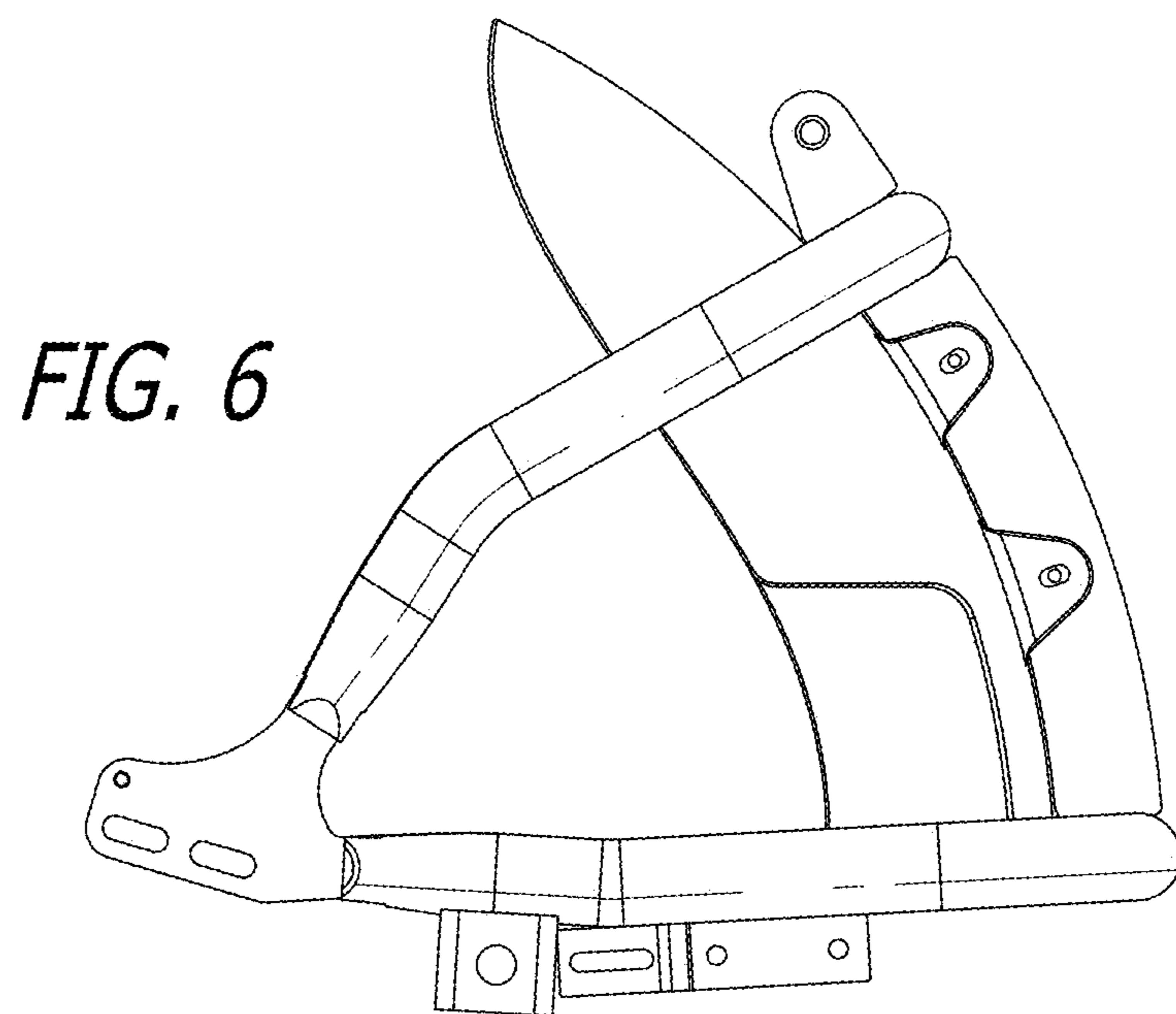


FIG. 6

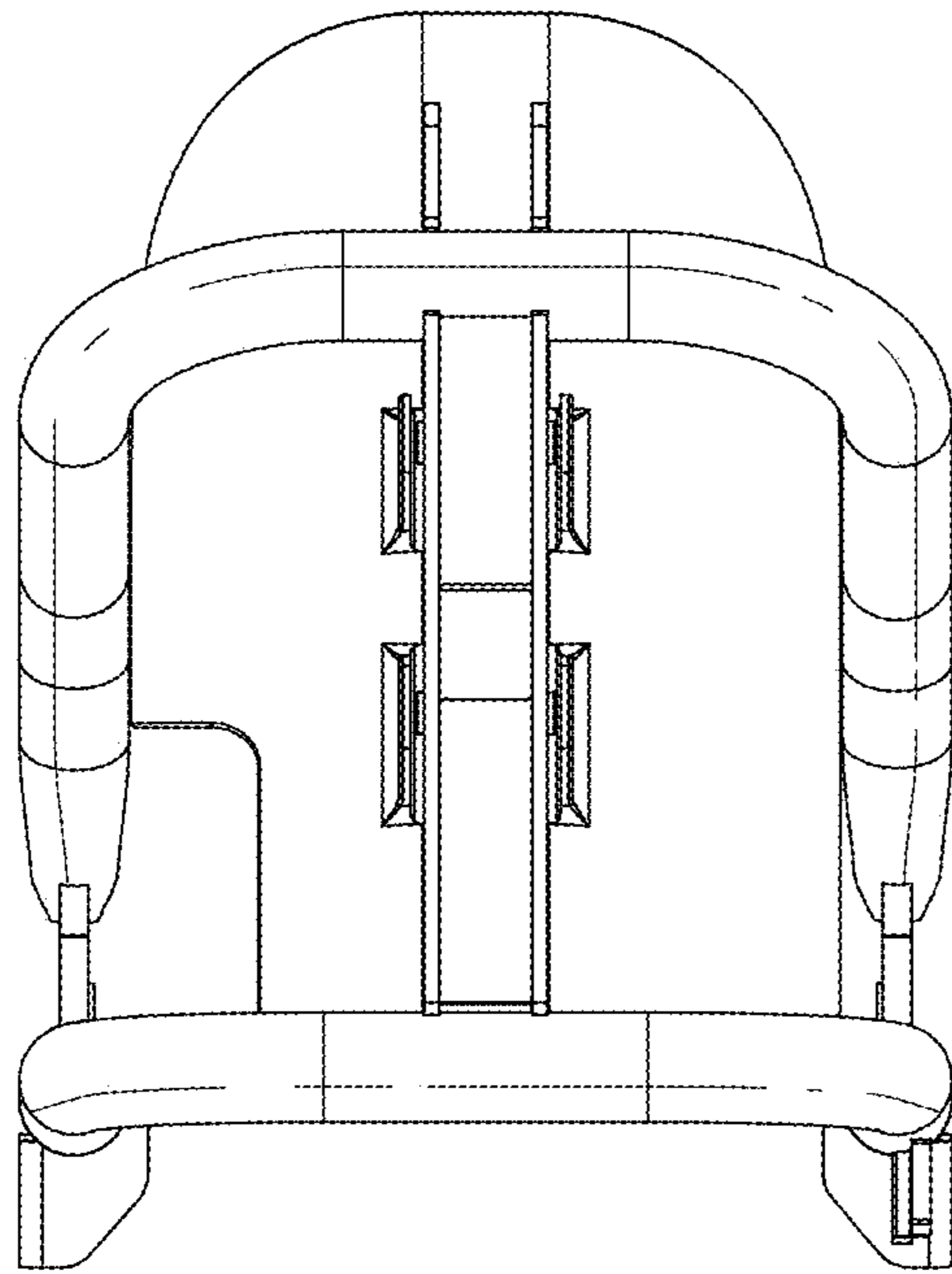


FIG. 7

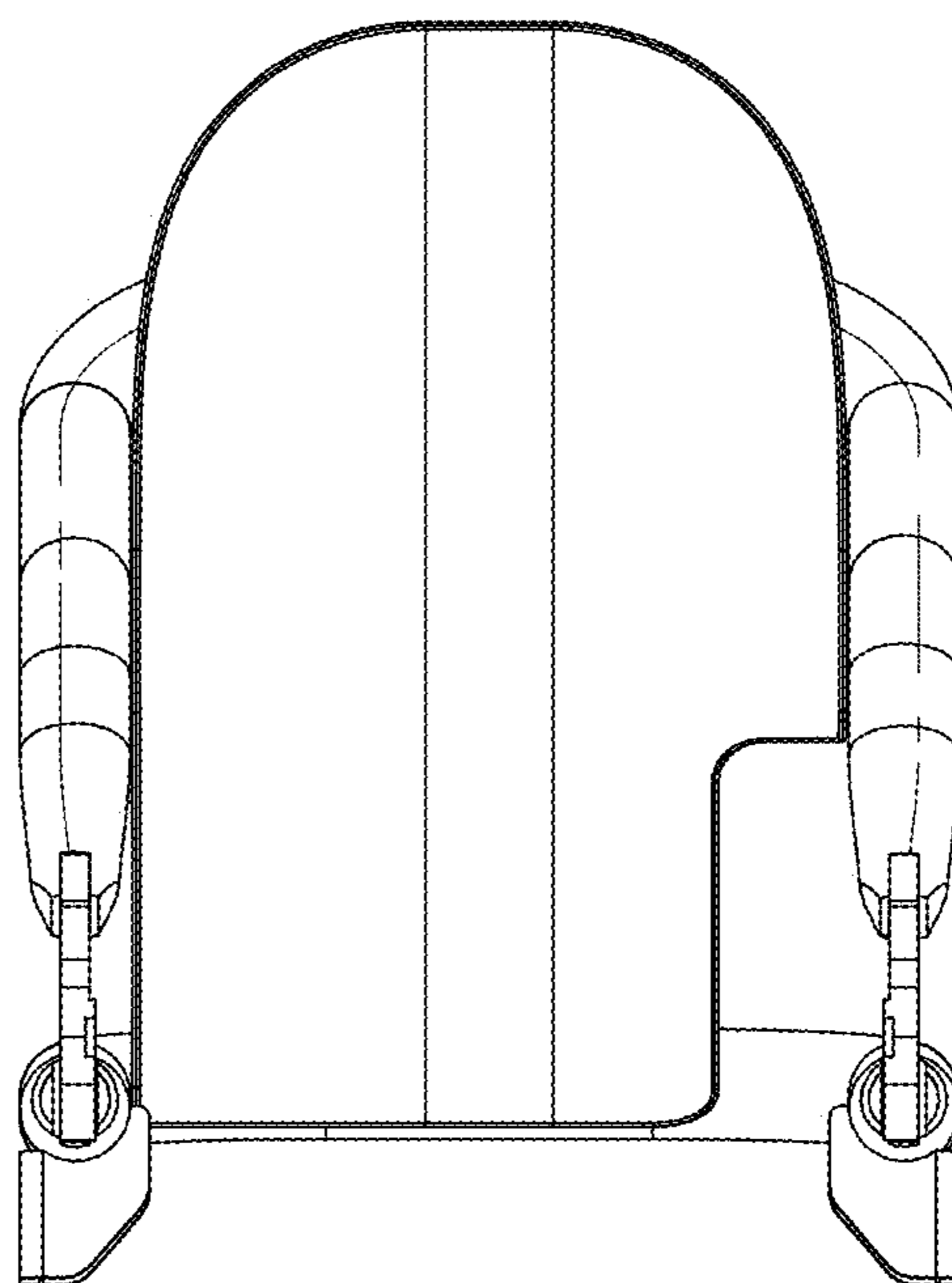


FIG. 8

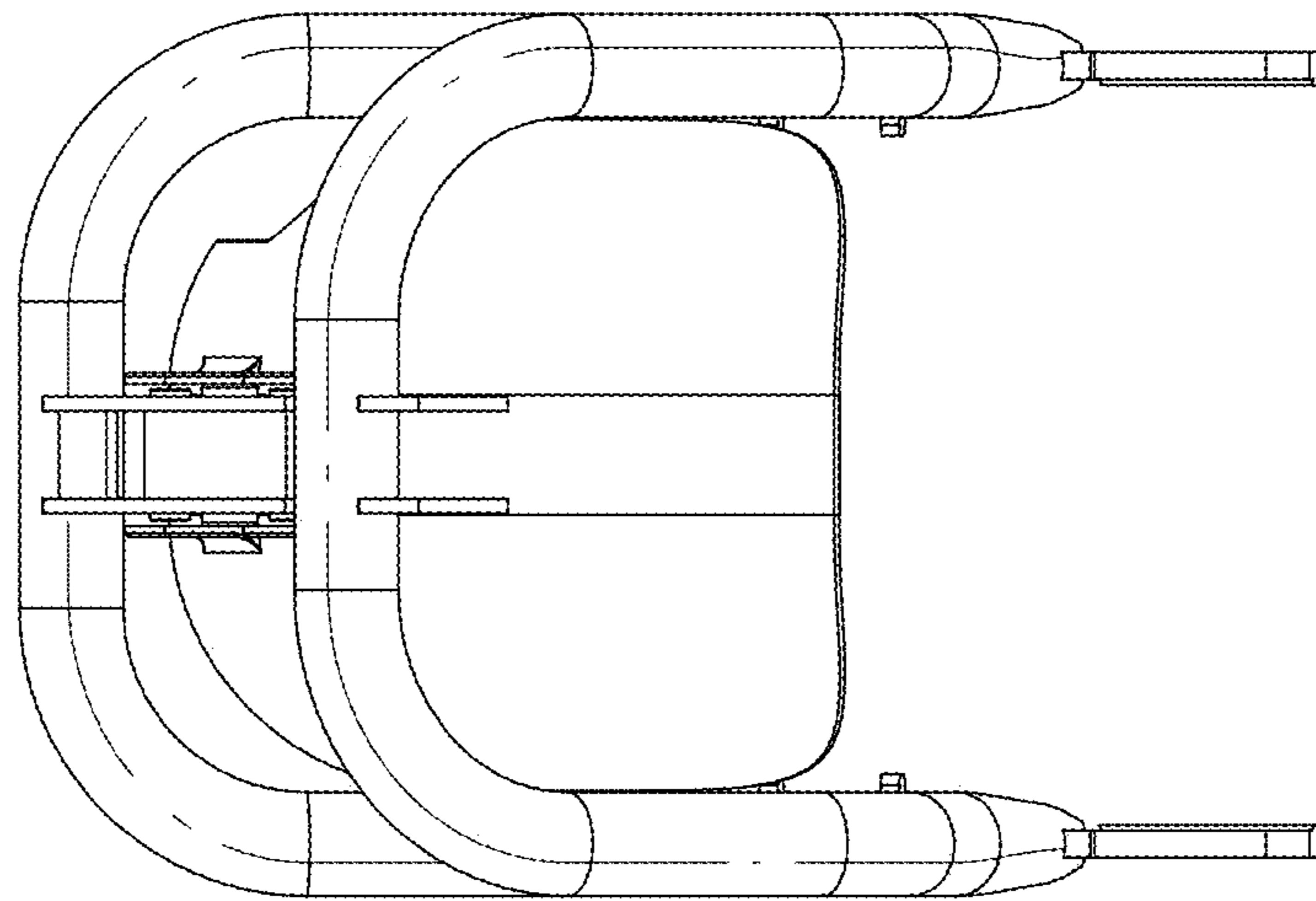


FIG. 9

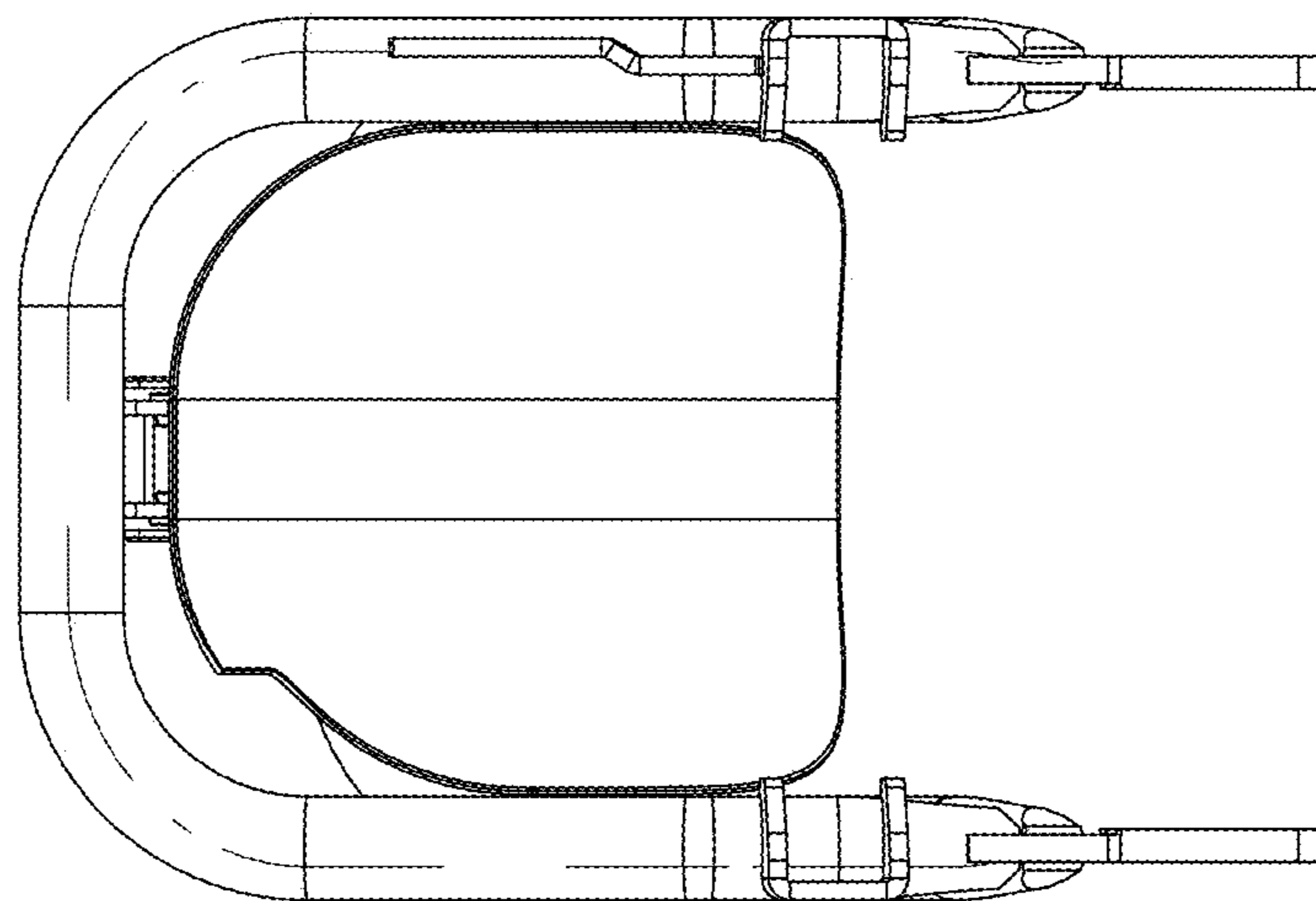


FIG. 10