



US00D921537S

(12) **United States Design Patent**
Letema et al.

(10) **Patent No.:** **US D921,537 S**
(45) **Date of Patent:** **** Jun. 8, 2021**

(54) **TRICYCLE FRAME**

(71) Applicant: **INFENTO PROPERTIES B.V.**,
Amsterdam (NL)
(72) Inventors: **Sander Hemmo Letema**, Amsterdam
(NL); **Spencer Rotting**, Abbekerk (NL)
(73) Assignee: **INFENTO PROPERTIES B.V.**,
Amsterdam (NL)

(**) Term: **15 Years**

(21) Appl. No.: **29/640,420**

(22) Filed: **Mar. 14, 2018**

(30) **Foreign Application Priority Data**

Sep. 14, 2017 (EM) 004352938-0005
Sep. 14, 2017 (EM) 004352938-0014
Sep. 14, 2017 (EM) 004352938-0021

(51) **LOC (13) Cl.** **12-11**

(52) **U.S. Cl.**
USPC **D12/112; D12/113**

(58) **Field of Classification Search**
USPC D12/1, 107, 110-114, 129, 130, 133;
D21/412, 414, 419, 423-428, 431-435,
D21/662
CPC . B62K 3/005; B62K 5/06; B62K 9/02; B62K
15/006; B62K 15/008; B62K 19/02;
B62M 1/32; B62M 1/38
See application file for complete search history.

(56) **References Cited**

U.S. PATENT DOCUMENTS

D338,433 S * 8/1993 Crooks, Sr. D12/112
D466,839 S * 12/2002 Ou D12/110
6,588,787 B2 * 7/2003 Ou B62K 11/10
180/220

D483,821 S * 12/2003 Yang D12/112
D503,362 S * 3/2005 Zhu D12/111
6,986,522 B2 * 1/2006 Sinclair B62K 15/006
280/278
D586,265 S * 2/2009 Lin D12/111
D650,724 S * 12/2011 Chiang D12/111
D726,592 S * 4/2015 Zhang D12/107
D735,812 S * 8/2015 Delgatty D21/423
D735,813 S * 8/2015 Delgatty D21/423
D746,924 S * 1/2016 Delgatty D21/423
D750,711 S * 3/2016 Delgatty D21/423
D774,969 S * 12/2016 Angelov D12/111
D774,979 S * 12/2016 Delgatty D12/111
D777,606 S * 1/2017 Dai D12/111
D780,637 S * 3/2017 Shao D12/111
9,694,868 B2 * 7/2017 Delgatty B62K 5/06
D804,364 S * 12/2017 Xianqiang D12/111
9,873,476 B2 * 1/2018 Etzelsberger B62K 15/006

(Continued)

Primary Examiner — Darlington Ly

(74) *Attorney, Agent, or Firm* — Steven M. Koehler;
Westman, Champlin & Koehler, P.A.

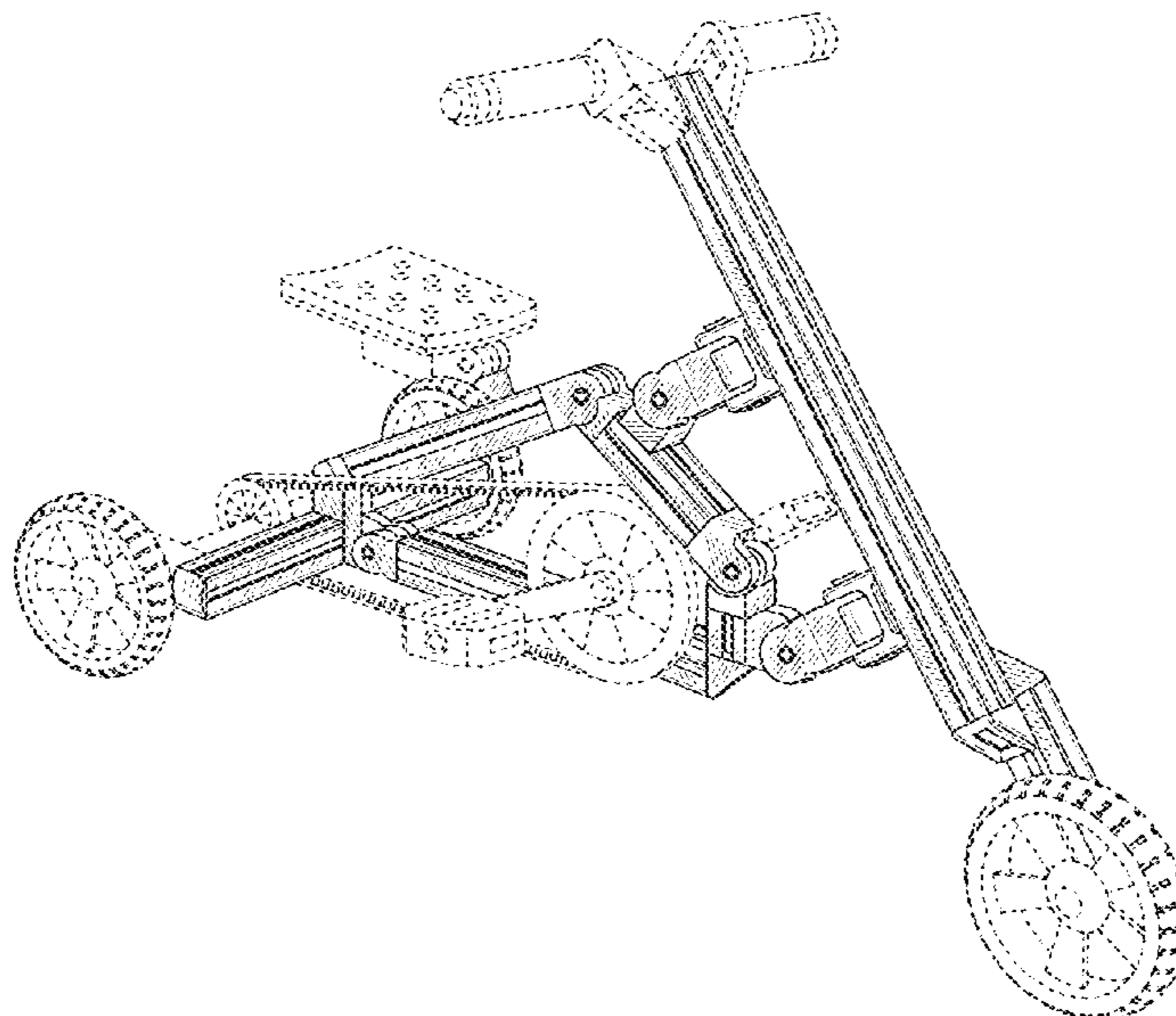
(57) **CLAIM**

The ornamental design for a tricycle frame, as shown and described.

DESCRIPTION

FIG. 1 is a front and left side perspective view of a tricycle frame showing our new design;
FIG. 2 is a top plan view thereof;
FIG. 3 is a front elevation view thereof;
FIG. 4 is a right side elevation view thereof;
FIG. 5 is a rear elevation view thereof;
FIG. 6 is a left side elevation view thereof;
FIG. 7 is a bottom plan view thereof; and,
FIG. 8 is a rear and right side perspective view thereof.
The broken lines in the drawings illustrate portions of the tricycle frame and environmental structures that do not form part of the claimed design.

1 Claim, 8 Drawing Sheets



(56)

References Cited

U.S. PATENT DOCUMENTS

2005/0035570 A1* 2/2005 Chu B62K 15/006
280/278
2012/0043148 A1* 2/2012 Brady B60L 3/0069
180/206.5
2015/0068828 A1* 3/2015 Delgatty B62K 5/06
180/210

* cited by examiner

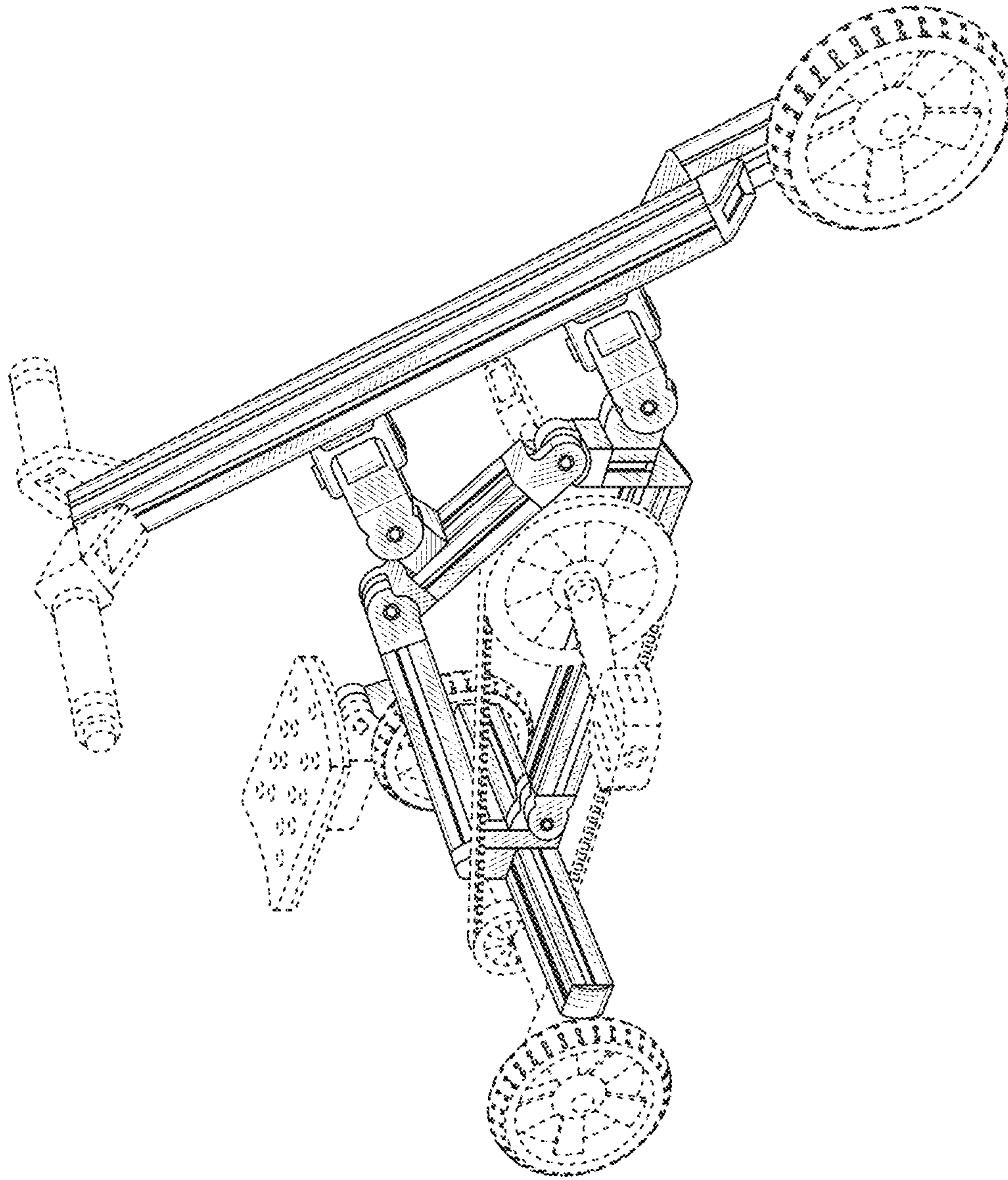


FIG. 1

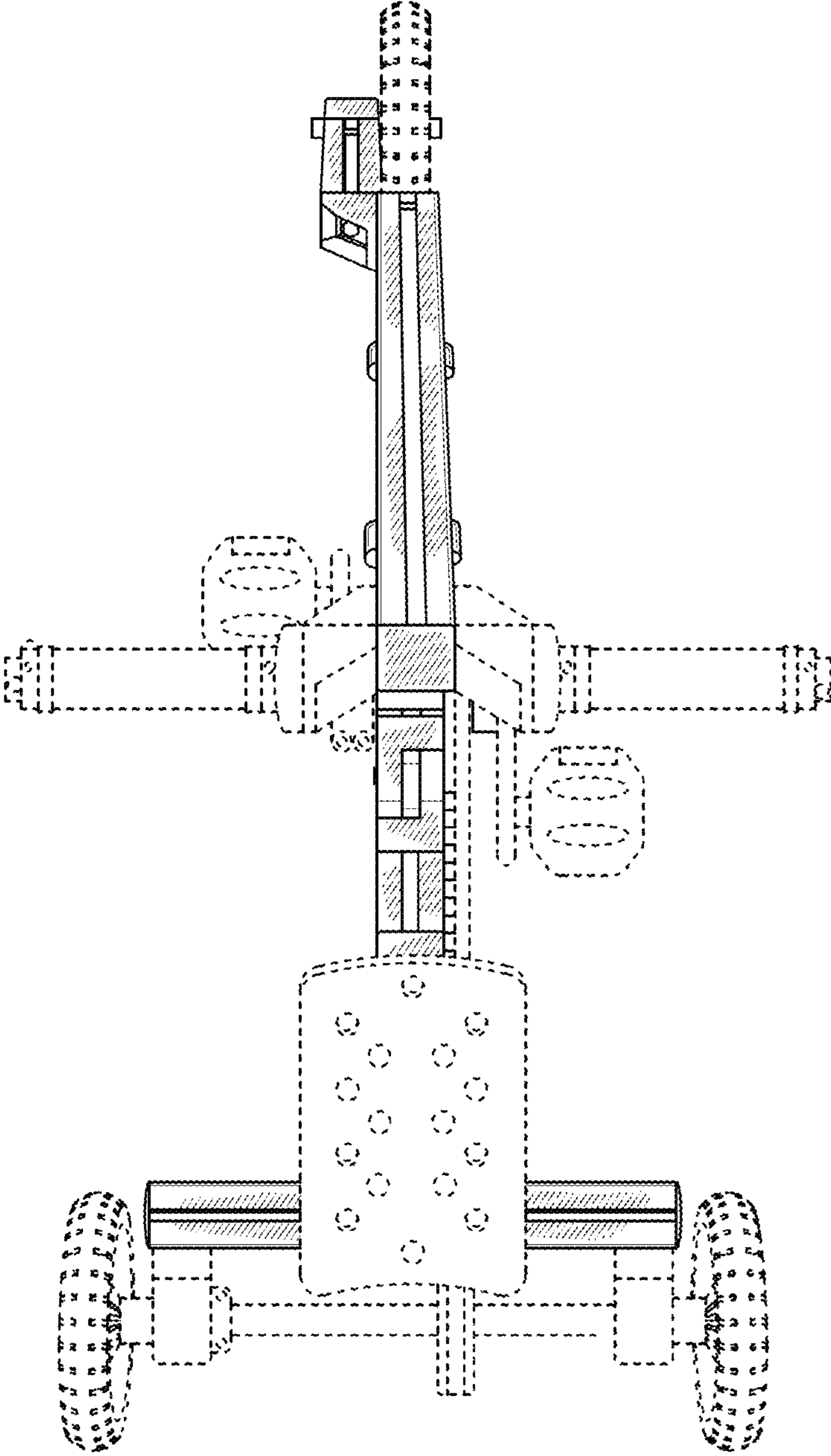


FIG. 2

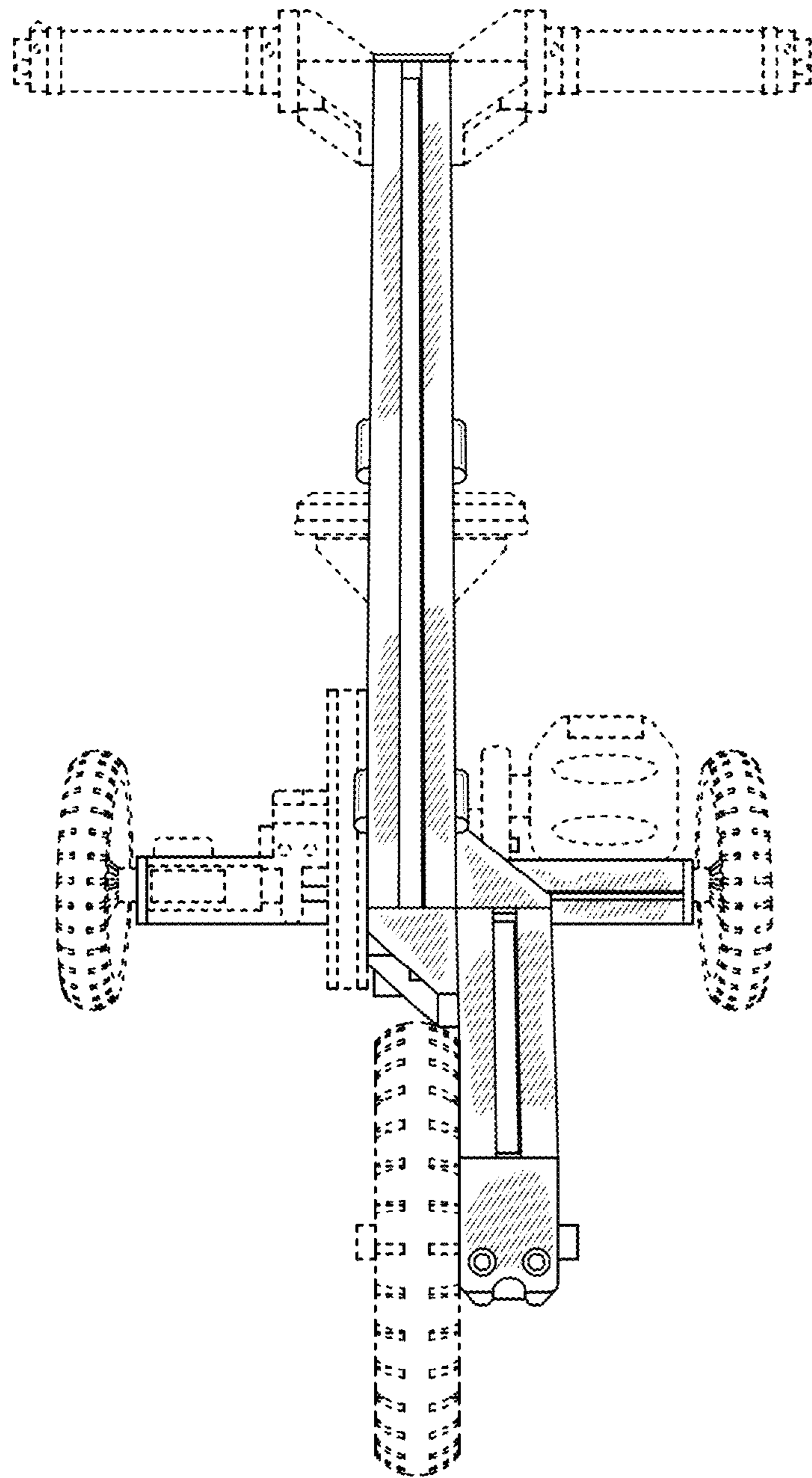


FIG. 3

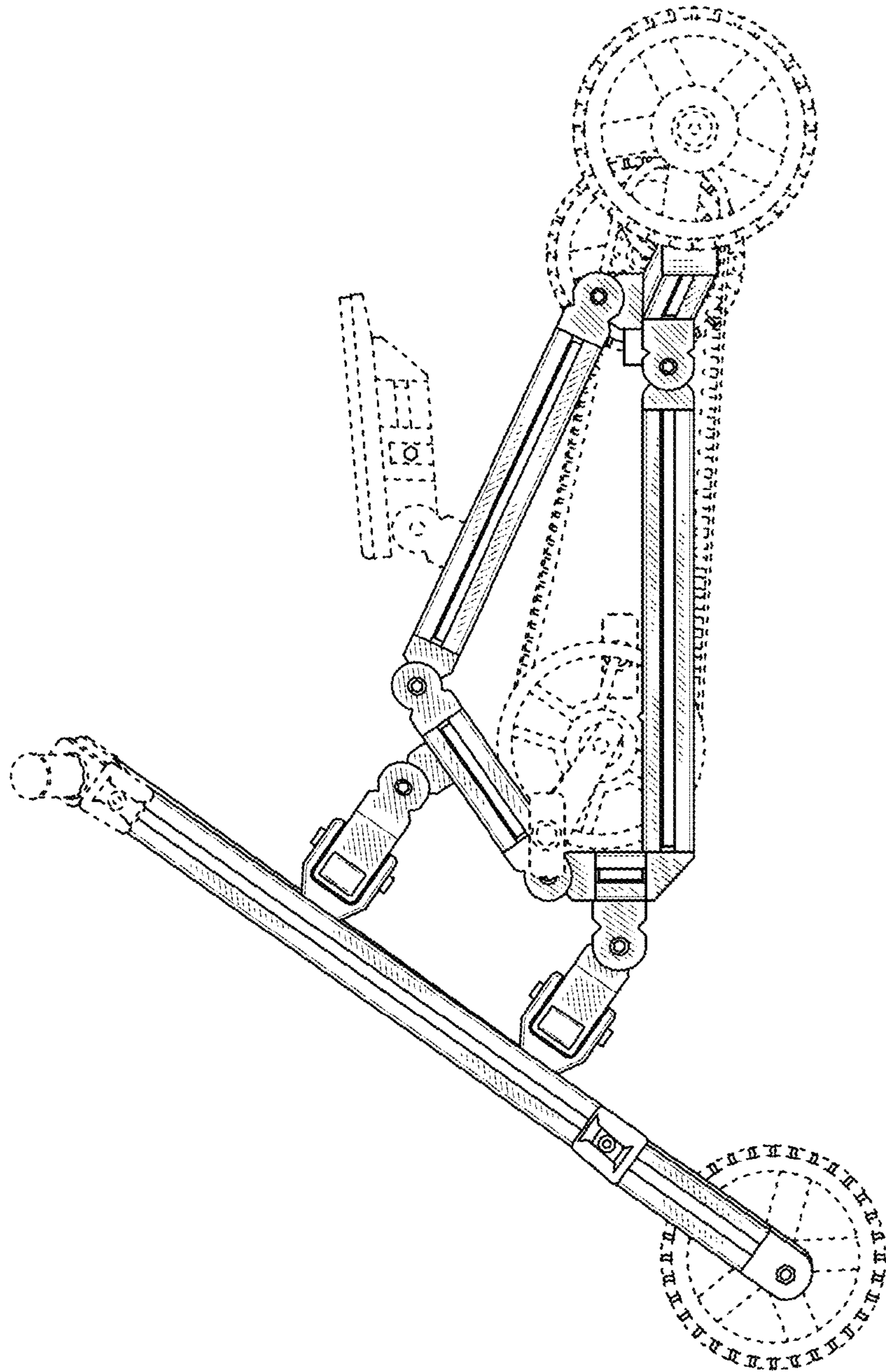


FIG. 4

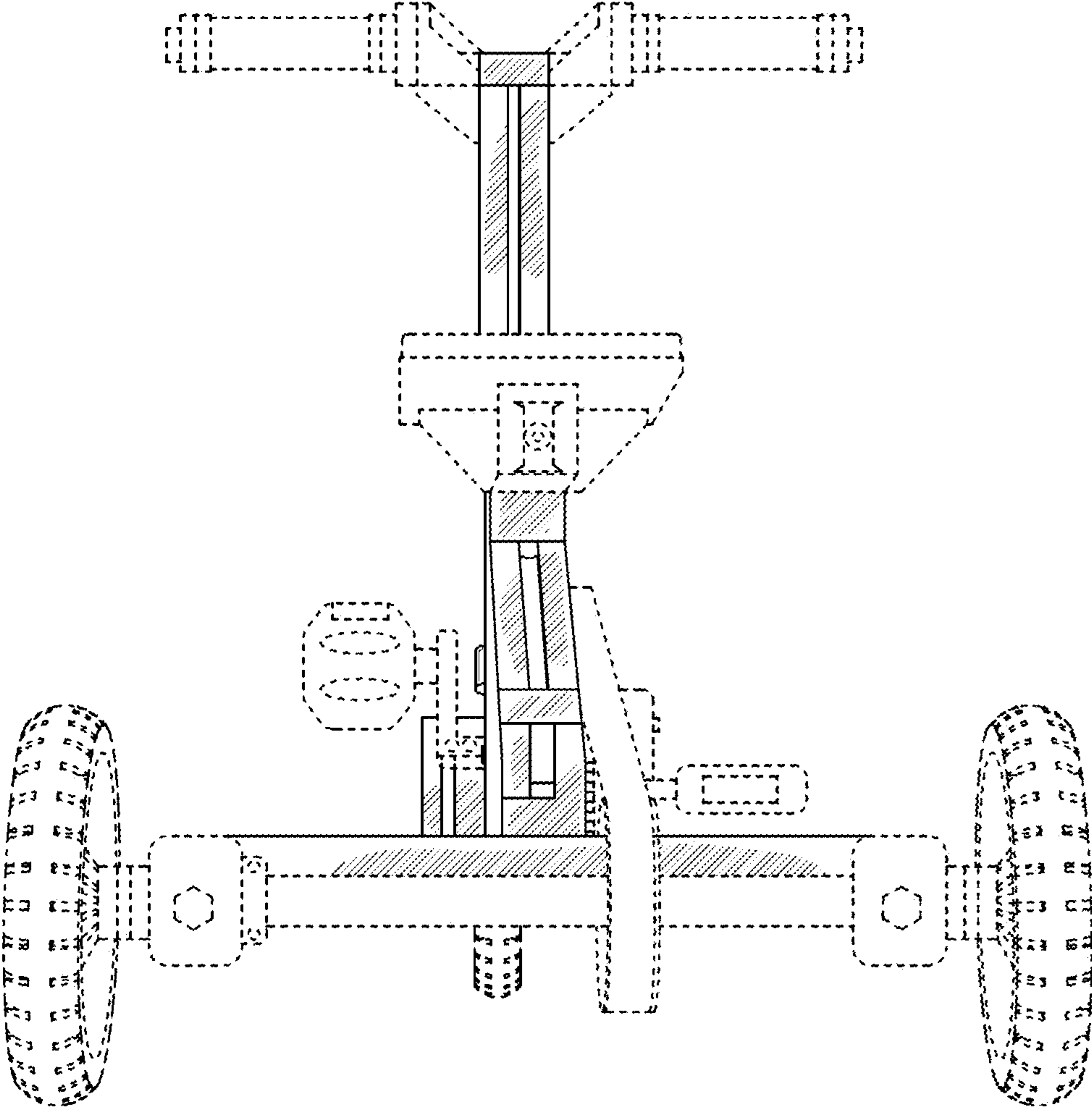


FIG. 5

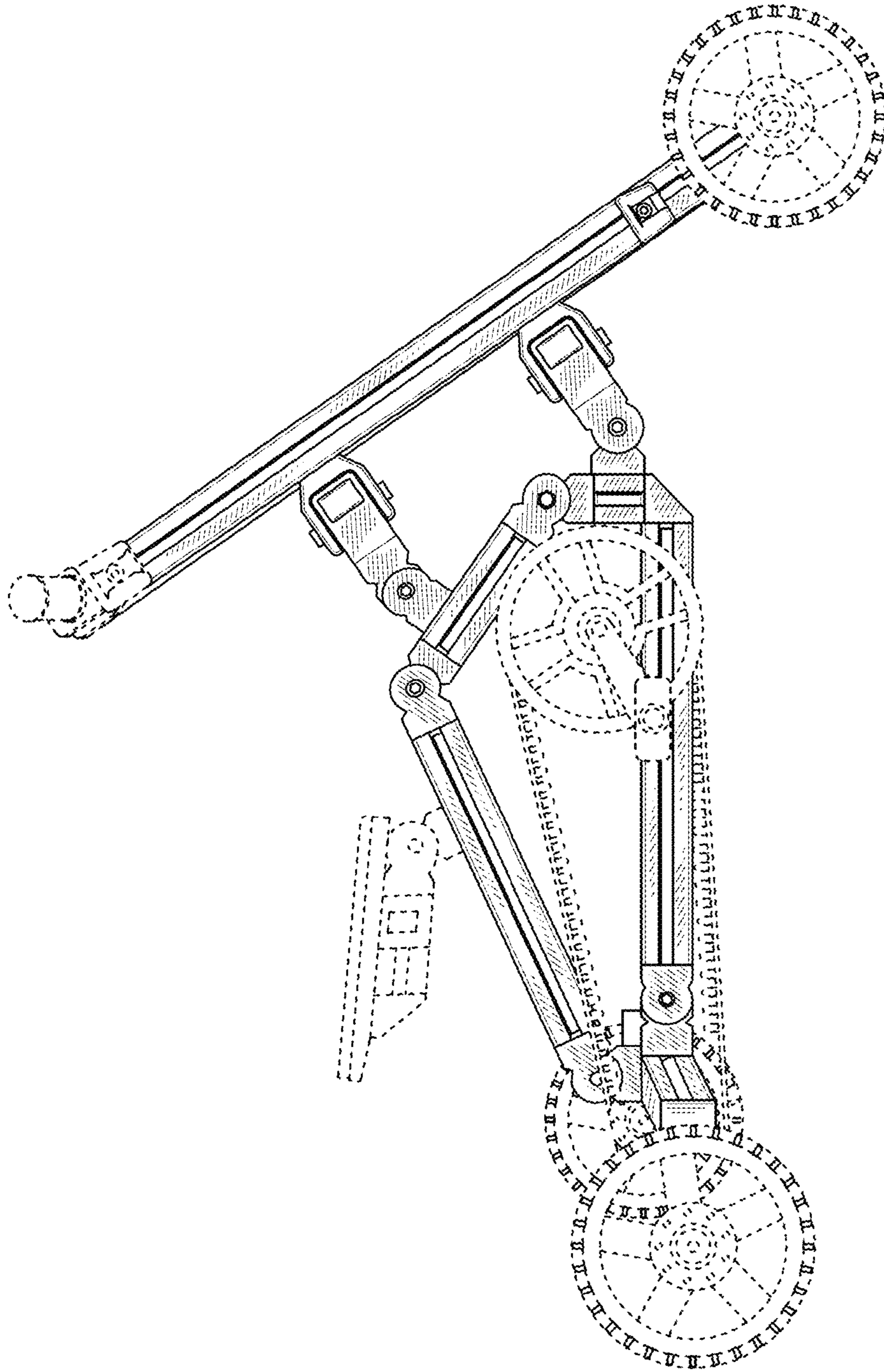


FIG. 6

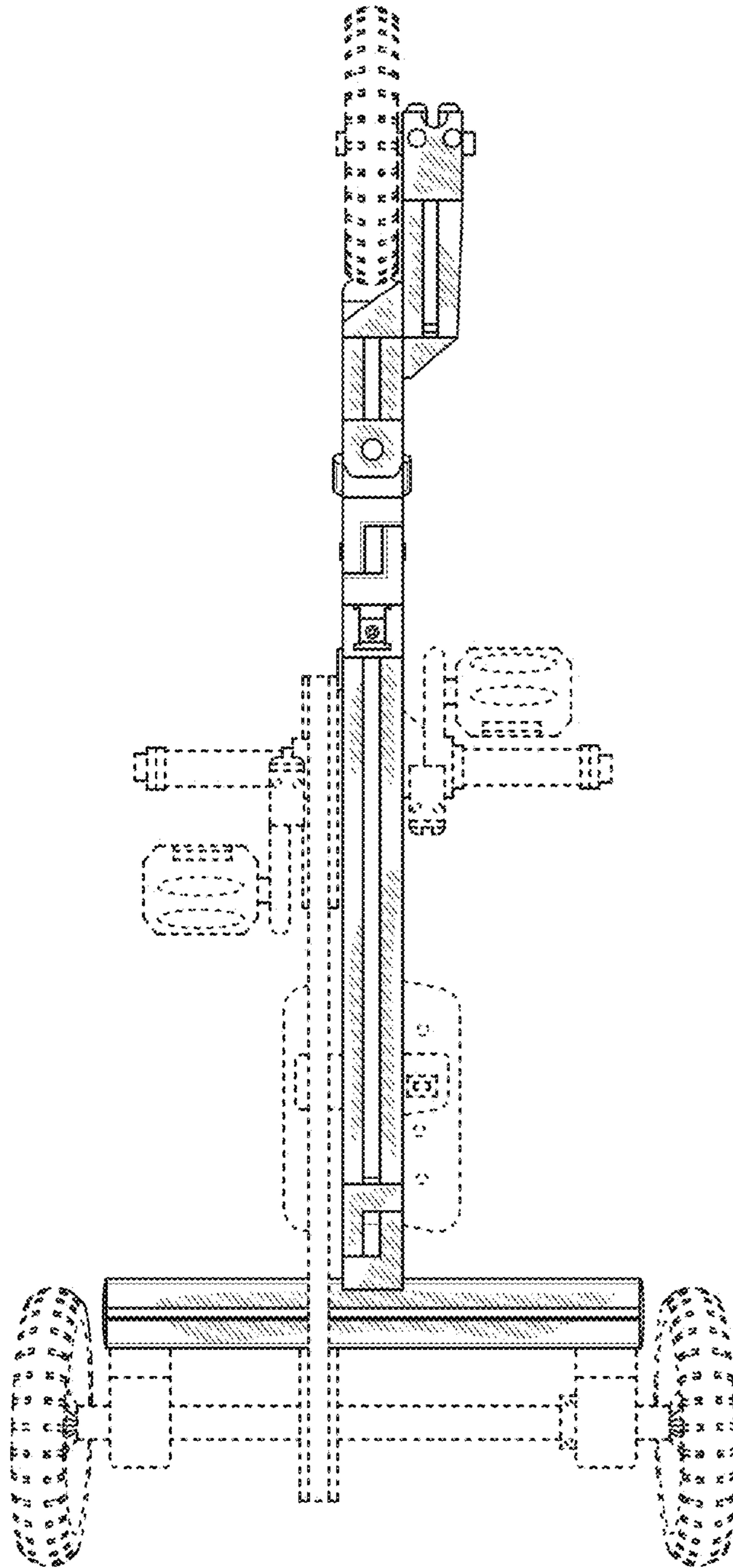


FIG. 7

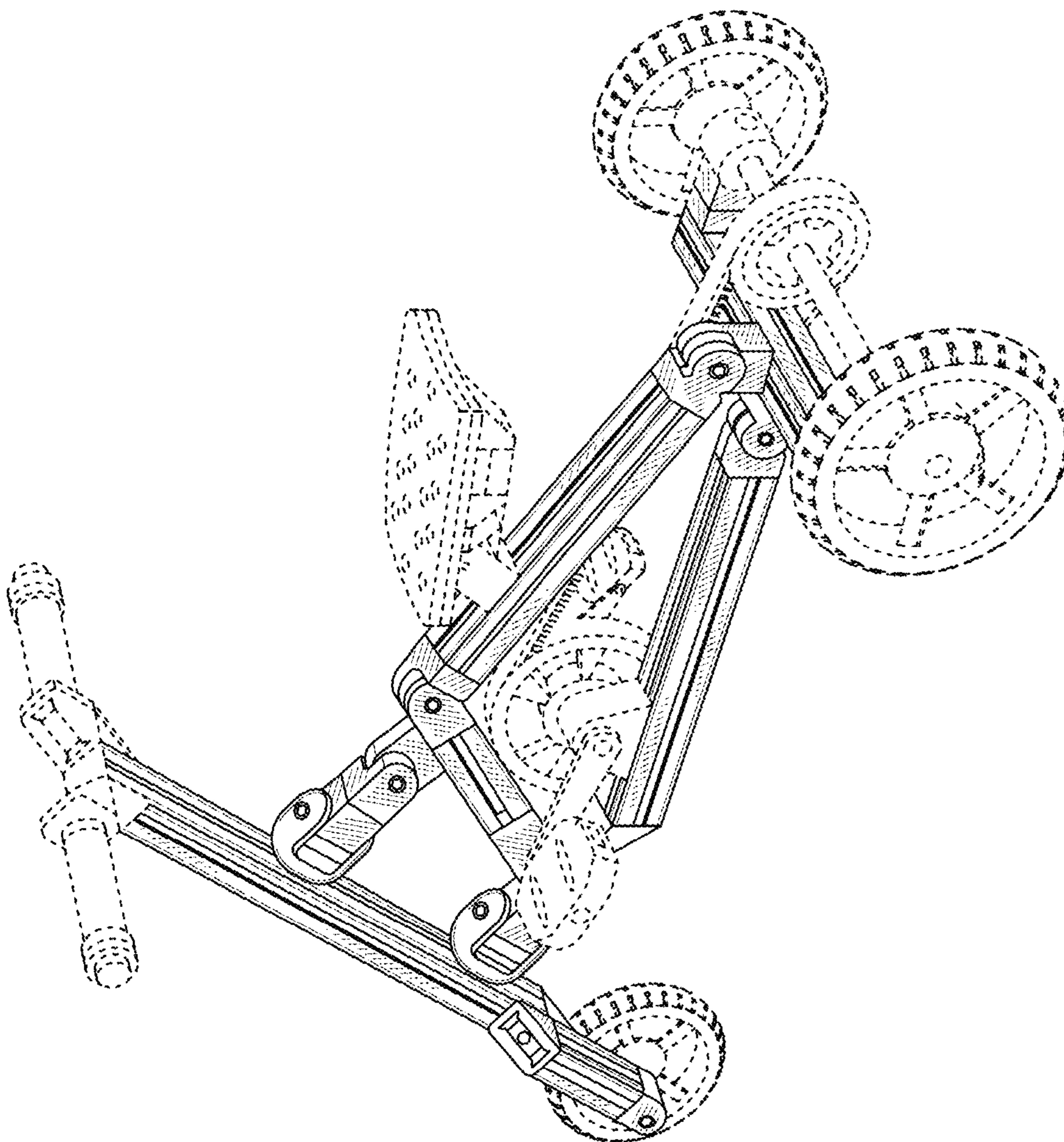


FIG. 8

UNITED STATES PATENT AND TRADEMARK OFFICE
CERTIFICATE OF CORRECTION

PATENT NO. : D921,537 S
APPLICATION NO. : 29/640420
DATED : June 8, 2021
INVENTOR(S) : Hemmo Sander Letema and Spencer Eelco Rotting

Page 1 of 1

It is certified that error appears in the above-identified patent and that said Letters Patent is hereby corrected as shown below:

On the Title Page

Item (72) Inventor name "Sander Hemmo Letema" should be changed to --Hemmo Sander Letema--

Signed and Sealed this
Eighth Day of March, 2022



Drew Hirshfeld
*Performing the Functions and Duties of the
Under Secretary of Commerce for Intellectual Property and
Director of the United States Patent and Trademark Office*