



US00D921536S

(12) **United States Design Patent** (10) **Patent No.:** **US D921,536 S**
Chuang et al. (45) **Date of Patent:** **** Jun. 8, 2021**

(54) **MOTORCYCLE**
(71) Applicant: **KWANG YANG MOTOR CO., LTD.**,
Kaohsiung (TW)
(72) Inventors: **Ping-Huan Chuang**, Kaohsiung (TW);
Chu-Chung Yang, Kaohsiung (TW);
Cheng-Chi Liu, Kaohsiung (TW)
(73) Assignee: **KWANG YANG MOTOR CO., LTD.**,
Kaohsiung (TW)

D597,893 S * 8/2009 Hung D12/110
D601,458 S * 10/2009 Nagao D12/110
D610,045 S * 2/2010 Lambri D12/110
D666,533 S * 9/2012 Wilm D12/110
D686,538 S * 7/2013 Nagao D12/110
D689,406 S * 9/2013 Yasuhara D12/110
D694,673 S * 12/2013 Katagiri D12/110
D723,431 S * 3/2015 Noguchi D12/110
D732,437 S * 6/2015 Yang D12/110
D848,904 S * 5/2019 Chuang D12/110
D884,562 S * 5/2020 Usami D12/110

(Continued)

(**) Term: **15 Years**

OTHER PUBLICATIONS

(21) Appl. No.: **29/712,758**

“Kawasaki Ninja® 650” Kawaski., posted date Oct. 11, 2018 [online], [retrieved on Dec. 9, 2020]. Retrieved from the Internet <URL: <https://www.kawasaki.com/en-US/motorcycle/ninja/sport/ninja-650>> (Year: 2018).*

(22) Filed: **Nov. 11, 2019**

(Continued)

(30) Foreign Application Priority Data

Sep. 27, 2019 (TW) 108306021

Primary Examiner — Darlington Ly

(51) **LOC (13) Cl.** **12-11**

Assistant Examiner — Nasim Abdulaziz Ali

(52) **U.S. Cl.** **12/110**

(74) *Attorney, Agent, or Firm* — Leong C. Lei

(58) **Field of Classification Search**

USPC D12/110, 111, 117; D21/432, 538

CPC B62K 11/00; B62K 11/02; B62K 11/04;

B62K 11/10; B62K 17/00; B62K 19/00;

B62K 2202/00

See application file for complete search history.

(57) CLAIM

The ornamental design for a motorcycle, as shown and described.

DESCRIPTION

(56) References Cited

U.S. PATENT DOCUMENTS

D333,641 S * 3/1993 Sakaguchi D12/110
D496,309 S * 9/2004 Fukumoto D12/110
D504,844 S * 5/2005 Sasanami D12/110
D549,137 S * 8/2007 Heinrich D12/110
D581,839 S * 12/2008 Sasanami D12/110
D582,316 S * 12/2008 Stenegard D12/110
D591,205 S * 4/2009 Heinrich D12/110
D594,786 S * 6/2009 Sakata D12/110

FIG. 1 is a perspective view of a motorcycle embodying our new design;

FIG. 2 is a front elevational view thereof;

FIG. 3 is a rear elevational view thereof;

FIG. 4 is a right side elevational view thereof;

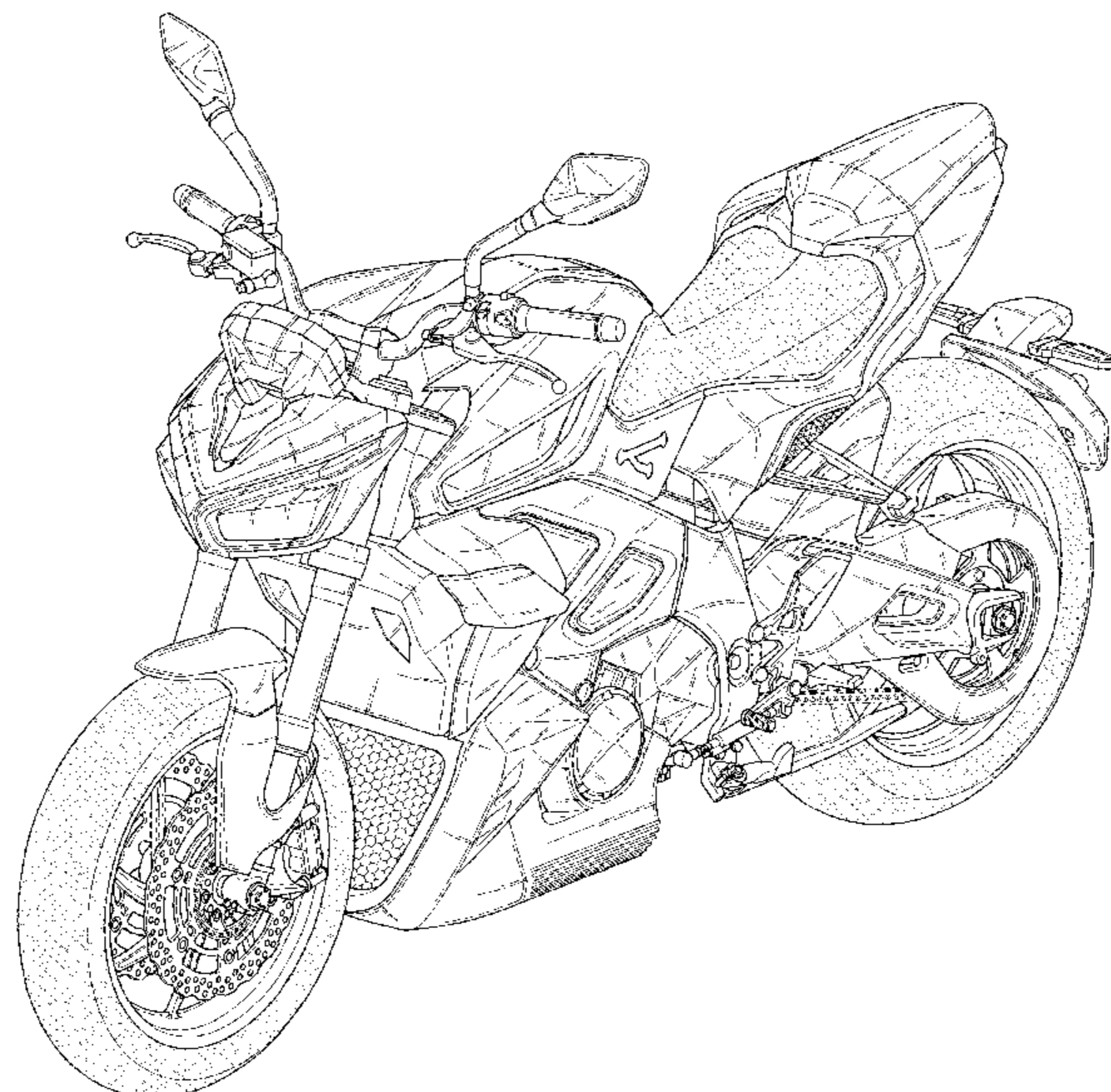
FIG. 5 is a left side elevational view thereof;

FIG. 6 is a top plan view thereof; and,

FIG. 7 is a bottom plan view thereof.

The broken lines shown represent portions of the motorcycle that form no part of the claimed design.

1 Claim, 7 Drawing Sheets



(56)

References Cited

U.S. PATENT DOCUMENTS

D895,486 S * 9/2020 McGinley D12/110
D895,487 S * 9/2020 Richards D12/110
2020/0102041 A1* 4/2020 Pelz B62K 11/04
2020/0247494 A1* 8/2020 Ichikawa B60L 53/18
2020/0277016 A1* 9/2020 Kobayashi B62J 43/20

OTHER PUBLICATIONS

“2019 G 310 GS” BMW., posted date Nov. 10, 2017 [online],
[retrieved on Dec. 9, 2020]. Retrieved from the Internet <URL:
<https://www.bmwmotorcycles.com/en/models/adventure/g310gs.html>> (Year: 2017).*

“2021 S 1000 XR” BMW., posted date Nov. 5, 2019 [online],
[retrieved on Dec. 9, 2020]. Retrieved from the Internet <URL:
<https://www.bmwmotorcycles.com/en/models/adventure/s1000xr.html>> (Year: 2020).*

“8 Best Newest 2020 BMW Motorcycles” (via YouTube), posted
date May 19, 2020 [online], [retrieved on Dec. 9, 2020]. Video
retrieved from internet <URL:<https://www.youtube.com/watch?v=T4eAPQqL0zY>> (Year: 2020).*

* cited by examiner

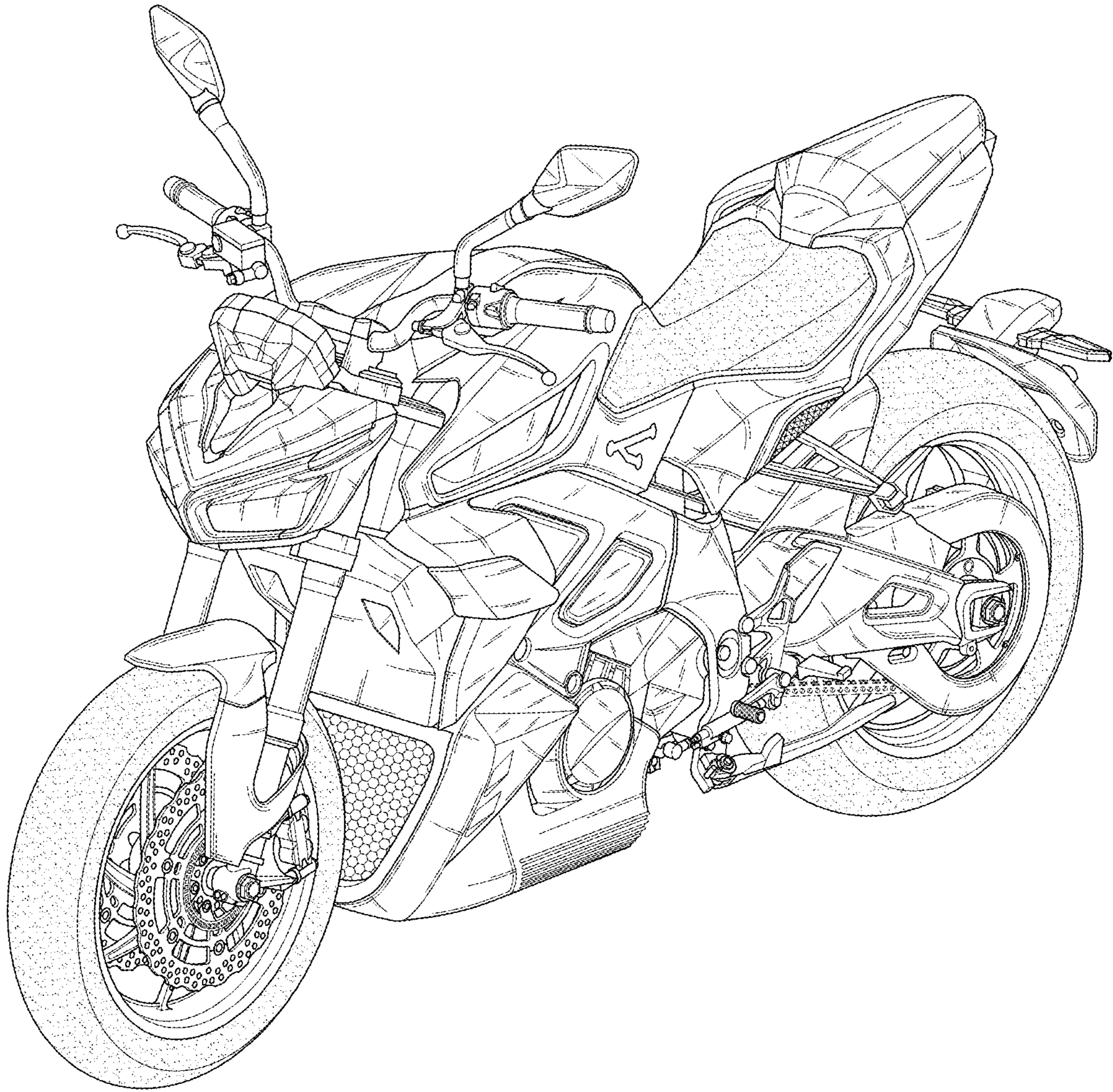


FIG. 1

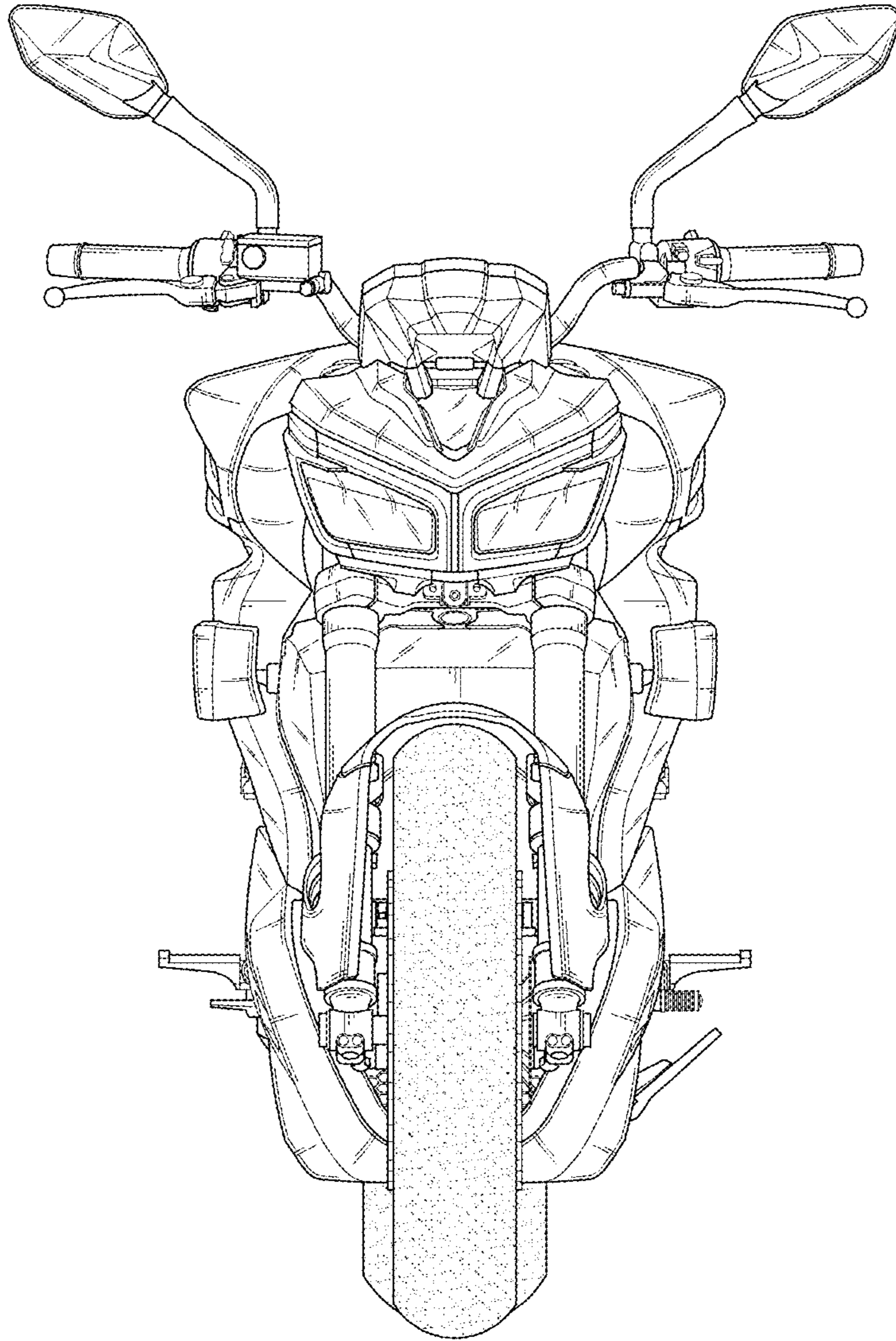


FIG. 2

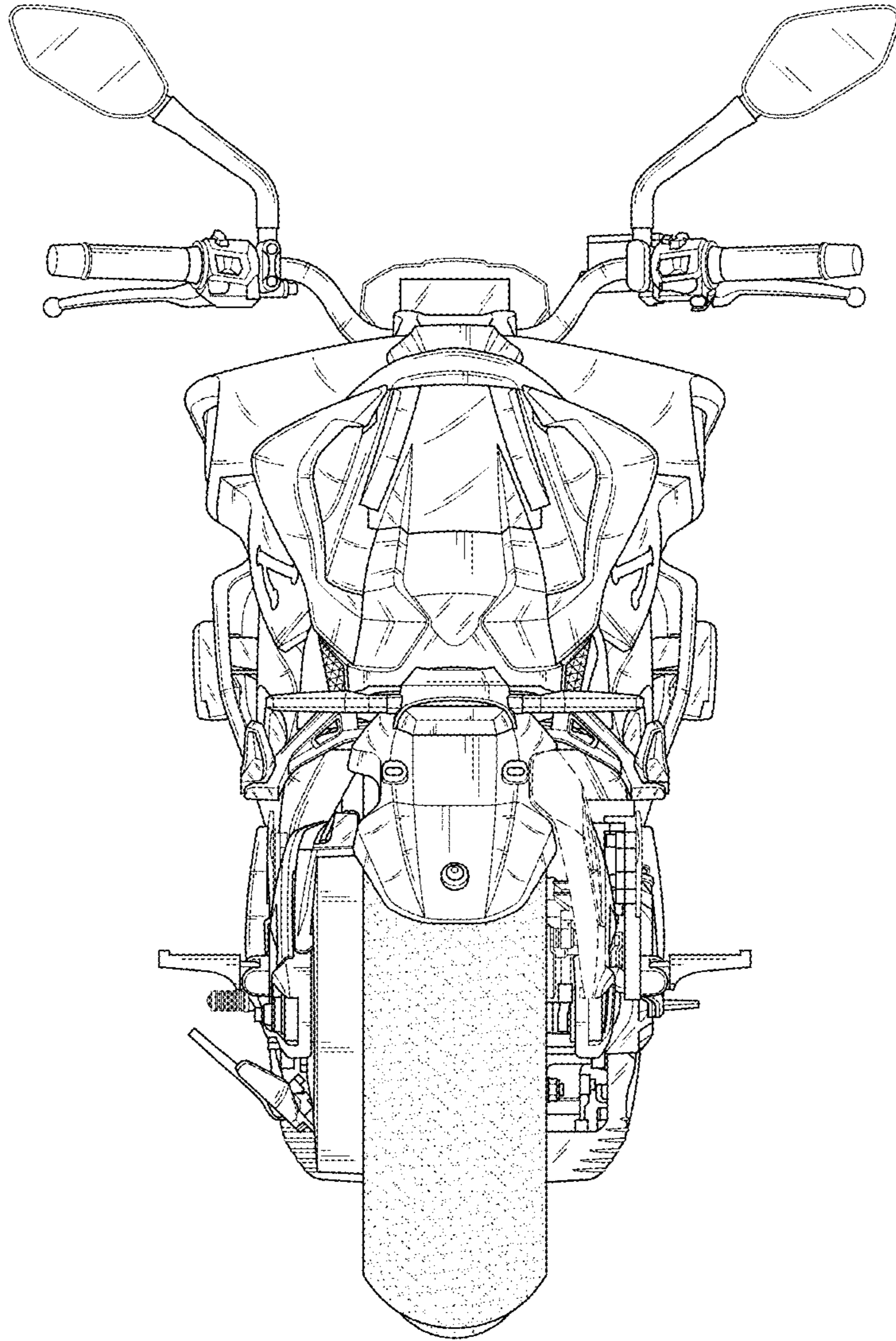


FIG. 3

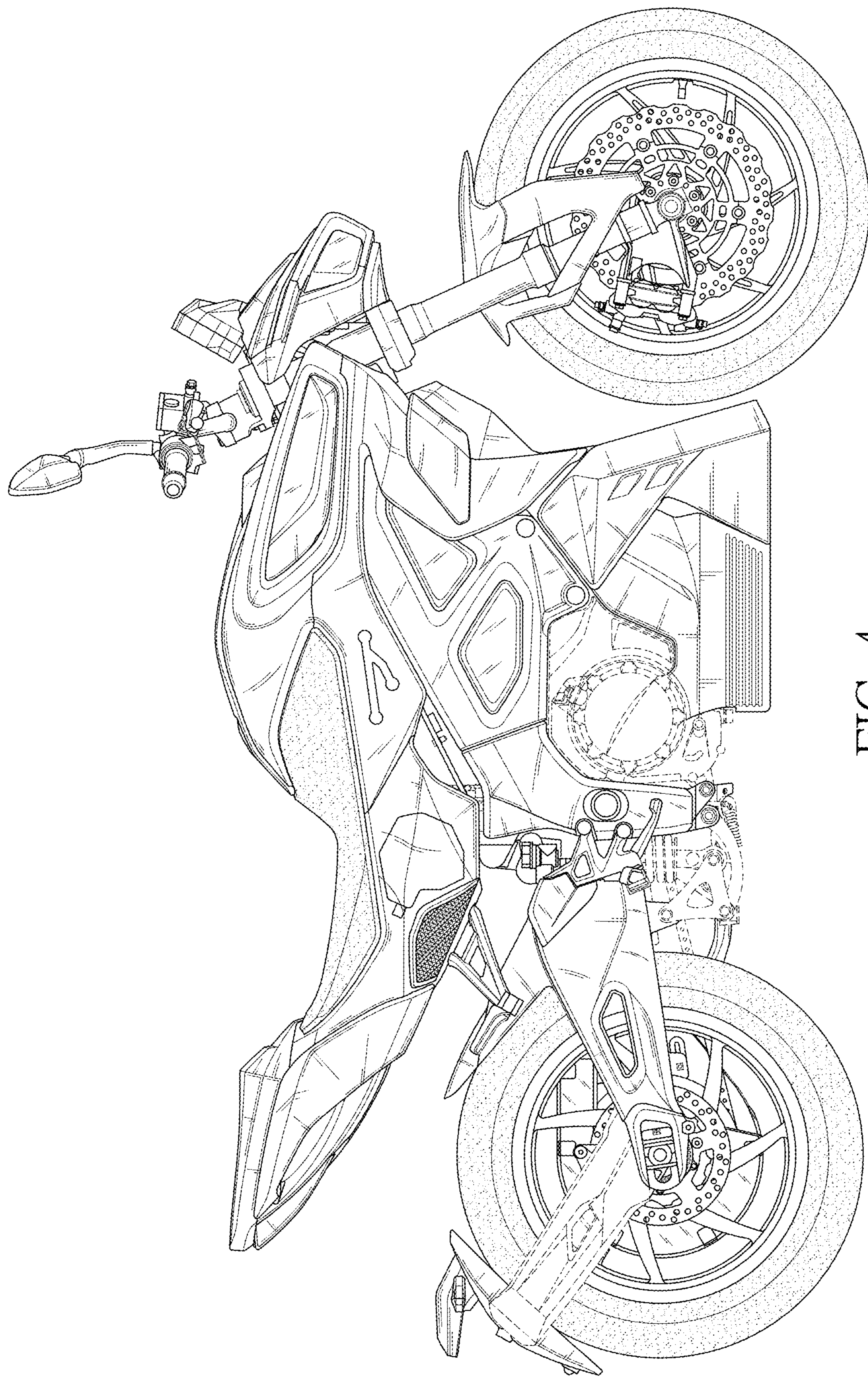


FIG. 4

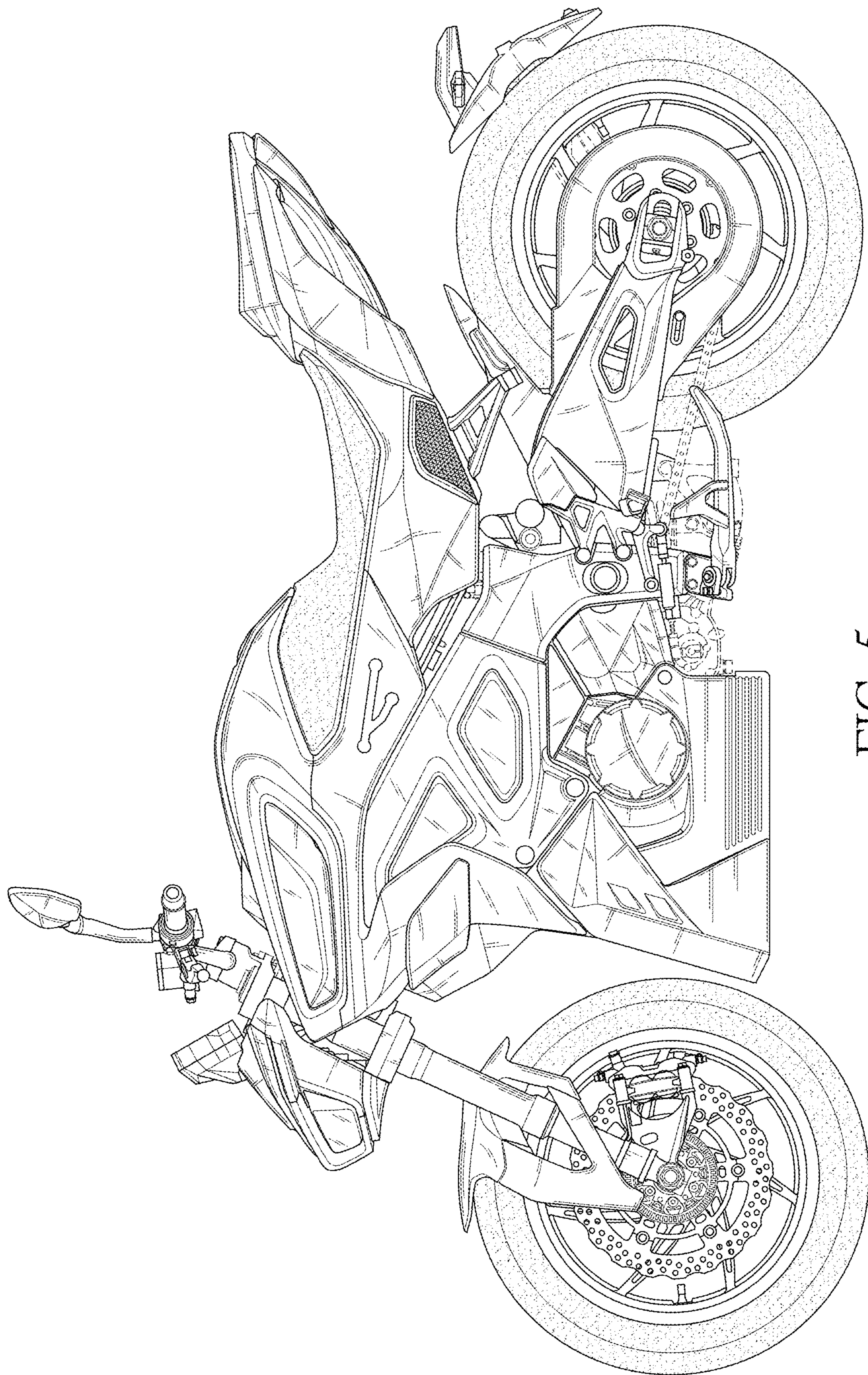


FIG. 5

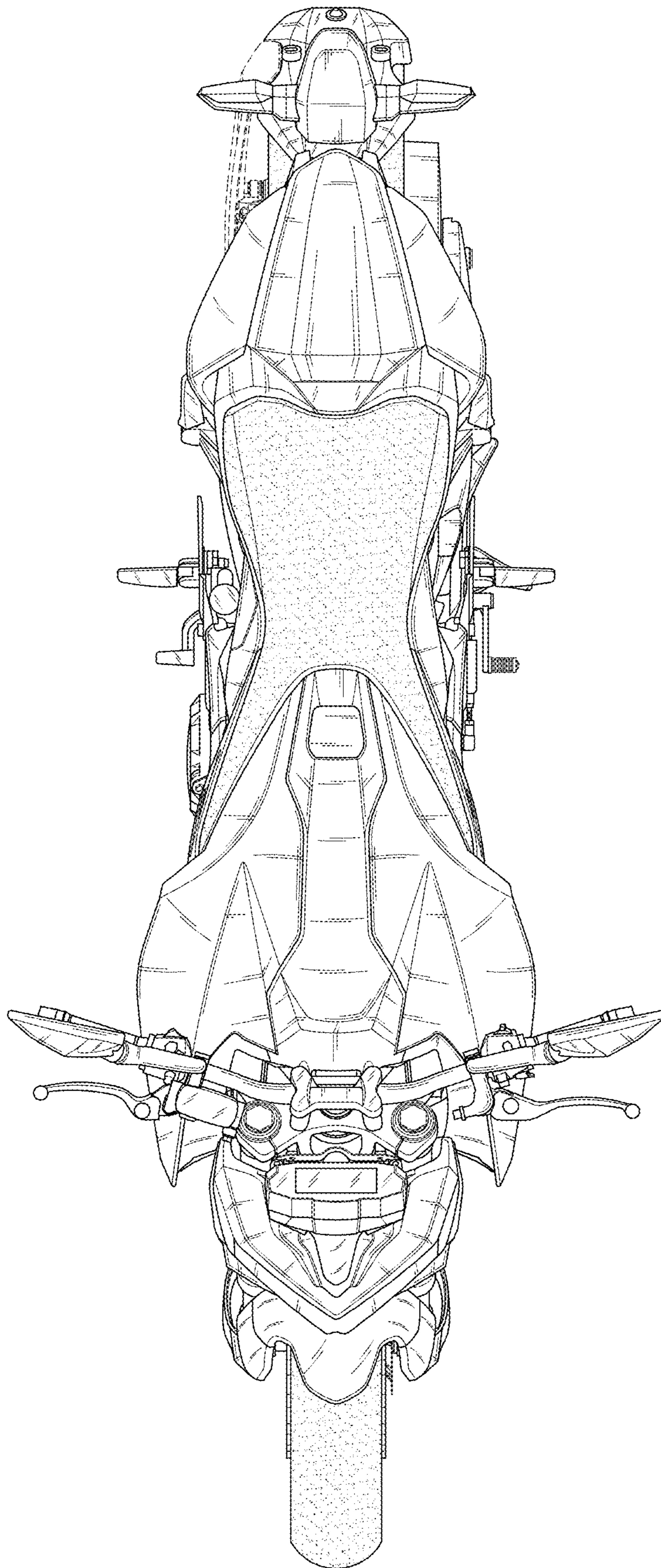


FIG. 6

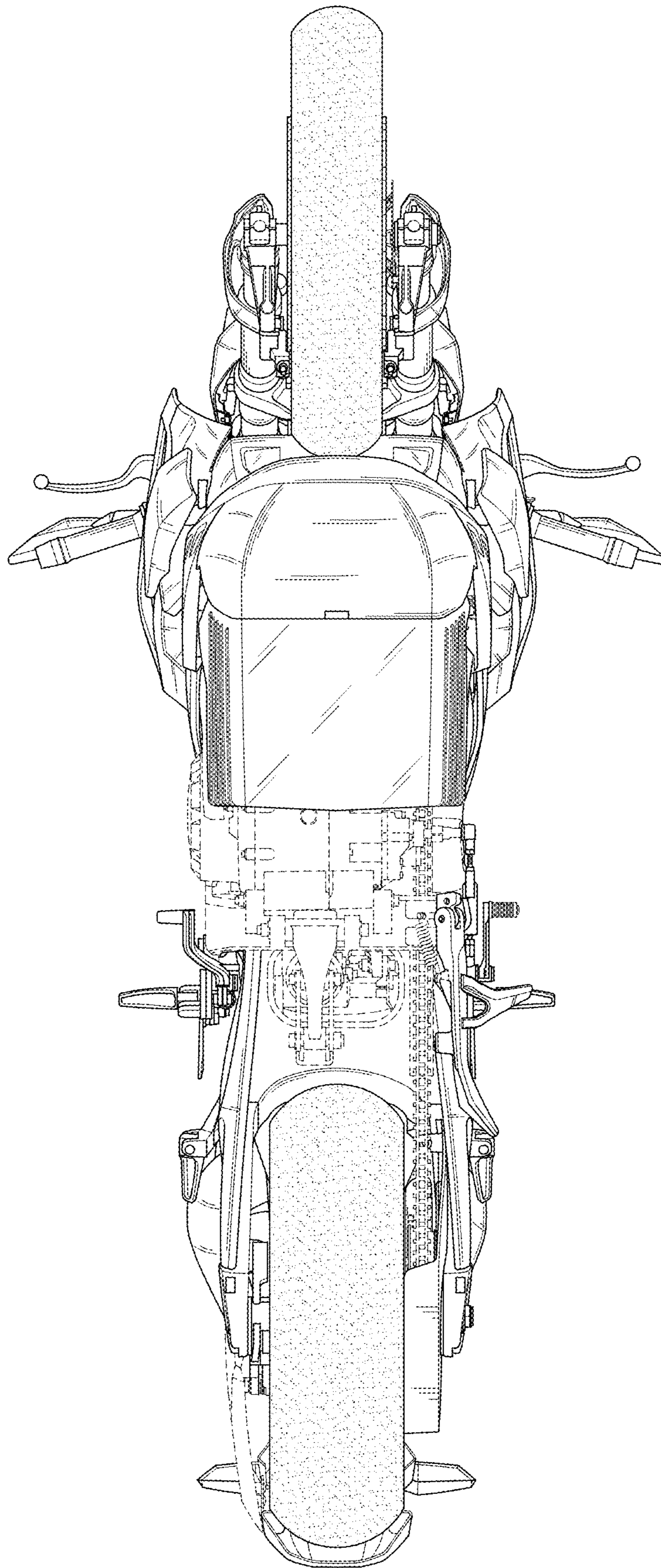


FIG. 7