



US00D921535S

(12) **United States Design Patent**
Selosse

(10) **Patent No.:** **US D921,535 S**
(45) **Date of Patent:** **** Jun. 8, 2021**

(54) **MOTORCYCLE, TOY, AND/OR REPLICAS THEREOF**

(71) Applicant: **Bayerische Motoren Werke Aktiengesellschaft, Munich (DE)**

(72) Inventor: **Vianney Selosse, Munich (DE)**

(73) Assignee: **Bayerische Motoren Werke Aktiengesellschaft, Munich (DE)**

(**) Term: **15 Years**

(21) Appl. No.: **29/706,079**

(22) Filed: **Sep. 18, 2019**

(30) **Foreign Application Priority Data**

Mar. 27, 2019 (DE) 402019100381.9

(51) **LOC (13) Cl.** **12-11**

(52) **U.S. Cl.**
USPC **D12/110**

(58) **Field of Classification Search**
USPC D12/110, 111, 117; D21/432, 538
CPC B62K 11/00; B62K 11/02; B62K 11/04;
B62K 11/10; B62K 17/00; B62K 19/00;
B62K 2202/00

See application file for complete search history.

(56) **References Cited**

U.S. PATENT DOCUMENTS

D559,738 S * 1/2008 Takigawa D12/110
D564,416 S * 3/2008 Isokari D12/110
D566,010 S 4/2008 Hohdorf et al.
D582,317 S * 12/2008 Takigawa D12/110
D598,815 S * 8/2009 Nagao D12/110
D605,089 S * 12/2009 Tanaka D12/110
D610,046 S * 2/2010 Miyake D12/110
D638,756 S * 5/2011 Kouchi D12/110
8,037,962 B2 * 10/2011 Susaki B62K 11/04
180/219

D649,914 S * 12/2011 Marasco D12/110
D651,138 S * 12/2011 Lai D12/110
D677,601 S * 3/2013 Yanagita D12/110
8,464,823 B2 * 6/2013 Miyazaki B62J 17/02
180/219
D688,983 S * 9/2013 Shibuta D12/110
D690,236 S * 9/2013 Futamata D12/110
D690,623 S * 10/2013 Tsukui D12/110
8,662,231 B2 * 3/2014 Hagimoto B62K 19/46
180/219
8,720,630 B2 * 5/2014 Hirai B62J 99/00
180/219
8,807,259 B2 * 8/2014 Tominaga B60G 17/016
180/219
D715,696 S * 10/2014 Sasanami D12/110
8,973,696 B2 * 3/2015 Hamauzu B60T 8/3685
180/219

(Continued)

Primary Examiner — Darlington Ly

(74) *Attorney, Agent, or Firm* — Crowell & Moring LLP

(57) **CLAIM**

The ornamental design for a motorcycle, toy, and/or replicas thereof, as shown and described.

DESCRIPTION

This application contains subject matter related to the following co-pending U.S. design patent application:

Application Ser. No. 29/668,994, filed Nov. 5, 2018 and entitled "Motorcycle, Toy, and/or Replicas Thereof."

FIG. 1 is a front and left side perspective view of a motorcycle, toy, and/or replicas thereof embodying new design;

FIG. 2 is a left side elevation view thereof;

FIG. 3 is a right side elevation view thereof;

FIG. 4 is a front elevation view thereof;

FIG. 5 is a rear elevation view thereof;

FIG. 6 is a top plan view thereof; and,

FIG. 7 is a bottom plan view thereof.

1 Claim, 7 Drawing Sheets



(56)

References Cited

U.S. PATENT DOCUMENTS

8,978,808 B2 * 3/2015 Tanaka B62H 5/006
180/219
D735,085 S * 7/2015 Buckan D12/110
D755,681 S * 5/2016 Martin
D756,269 S * 5/2016 Hahn-Woernle D12/110
D758,925 S * 6/2016 Tamura D12/110
9,482,143 B2 * 11/2016 Inayama F01P 5/10
D800,023 S * 10/2017 Kottmann D12/110
D805,439 S * 12/2017 Hohdorf D12/110
9,855,937 B2 * 1/2018 Ishii B62K 11/04
9,902,450 B2 * 2/2018 Ishii B62J 17/02
D814,360 S * 4/2018 Ma D12/110
D816,553 S * 5/2018 Hsieh D12/110
D828,230 S * 9/2018 Cammorata D12/110
10,220,912 B2 * 3/2019 Yamamoto F01P 3/18
D856,854 S * 8/2019 Tamura D12/110
10,377,436 B2 * 8/2019 Janyapanich B62J 17/00
D877,661 S * 3/2020 Shigihara D12/110
D880,367 S * 4/2020 Koike D12/110
10,780,937 B2 * 9/2020 Aydoung B62K 25/283
D906,889 S * 1/2021 Piatti D12/110

* cited by examiner

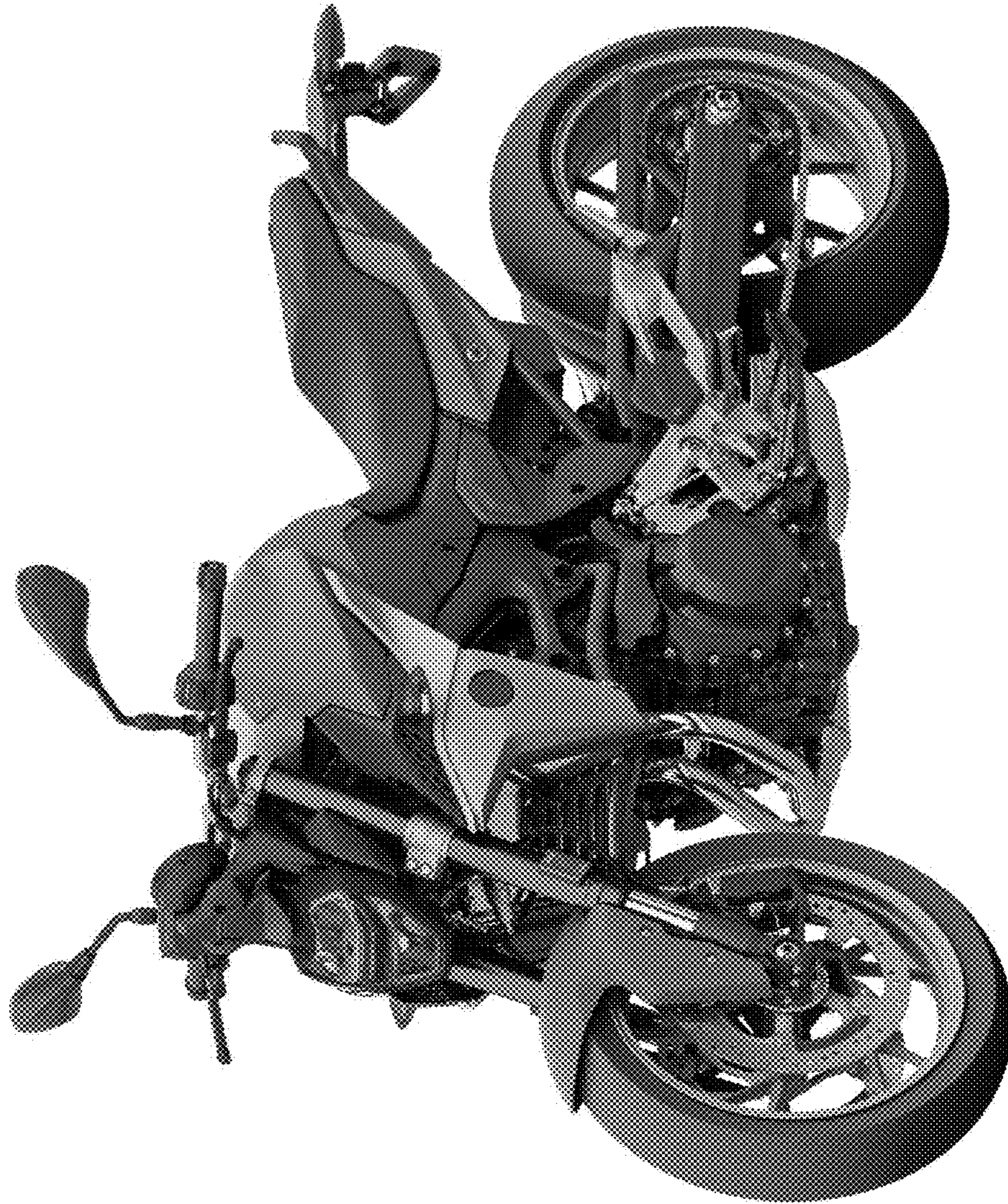


Fig. 1

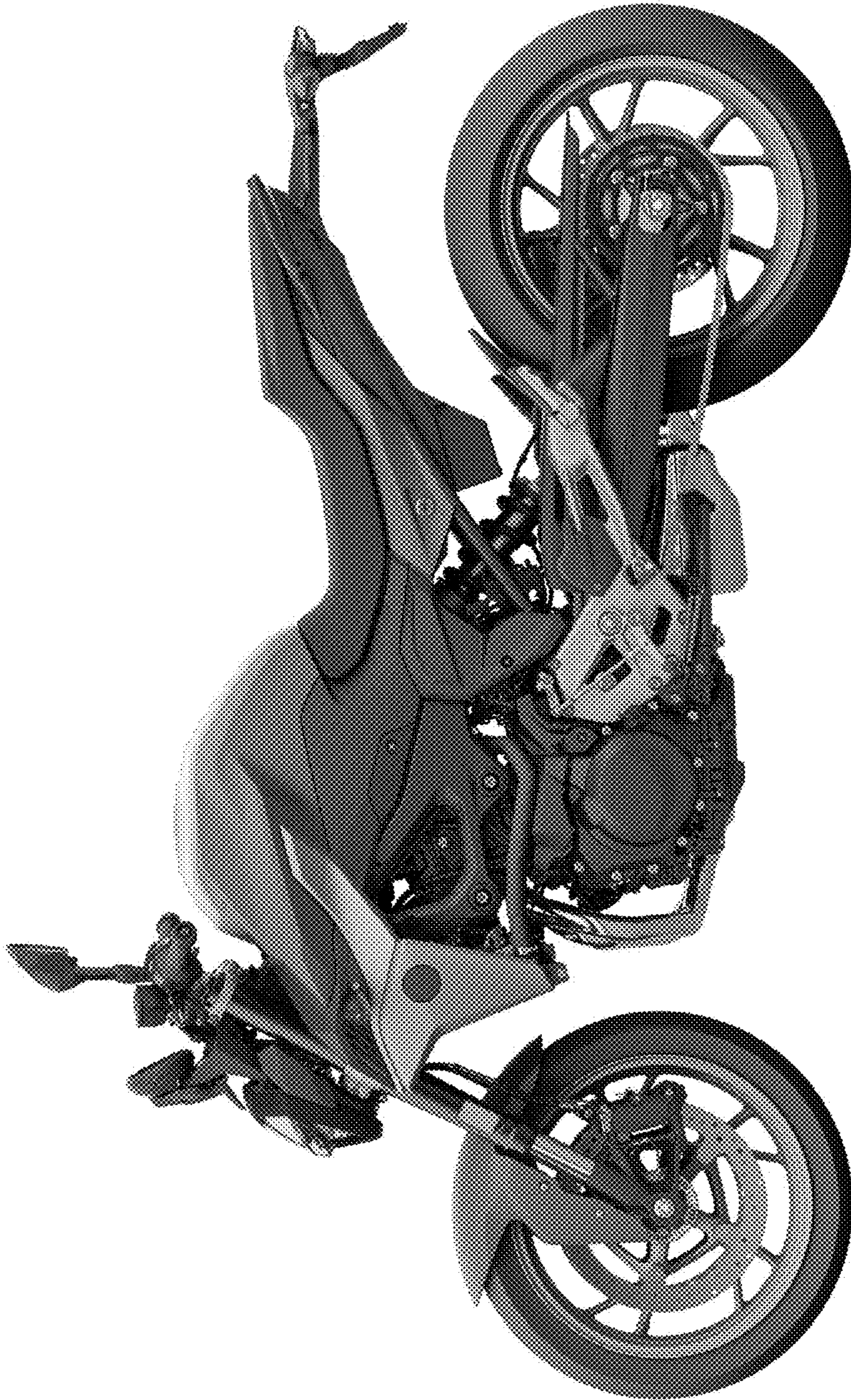


Fig. 2

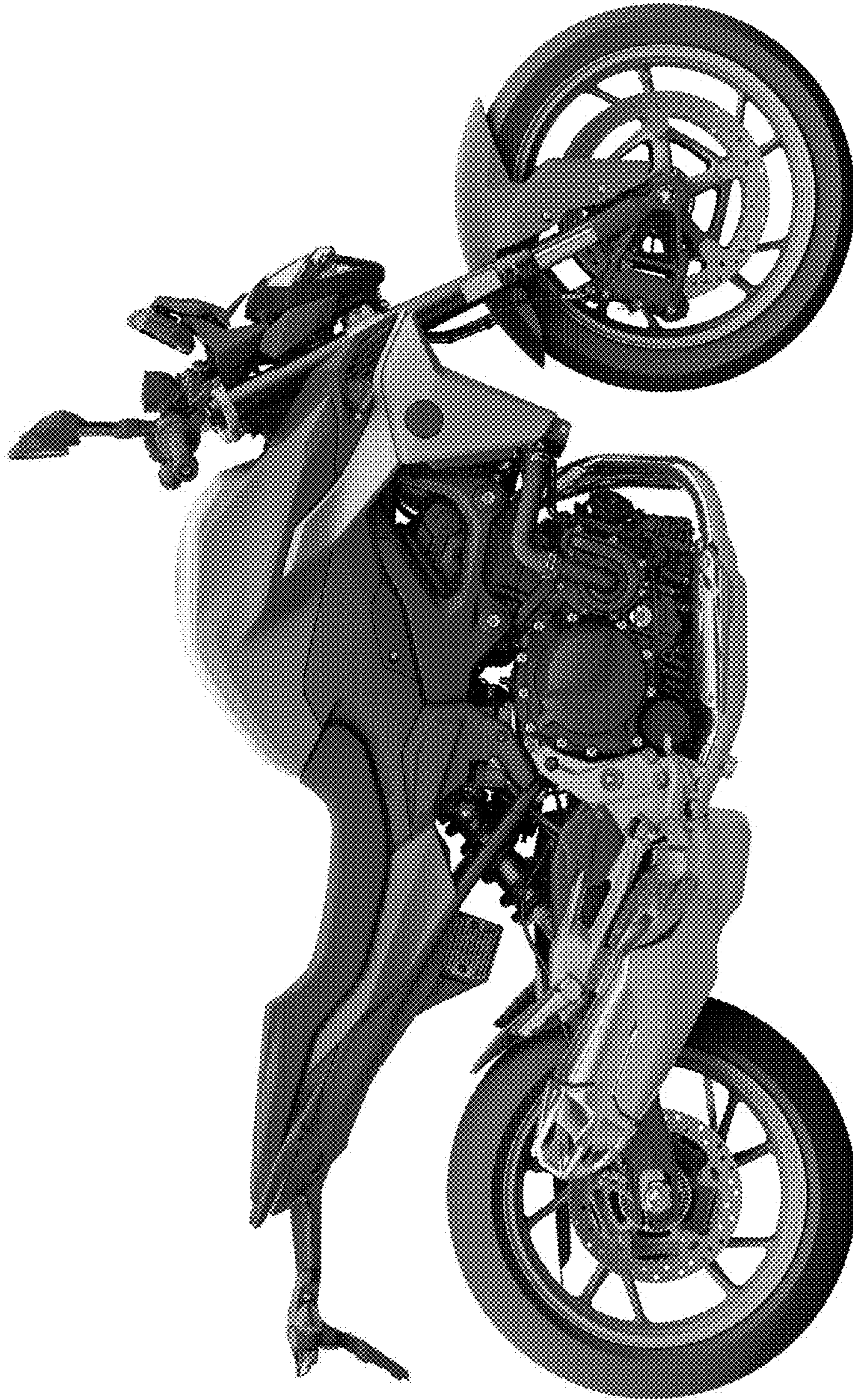


Fig. 3

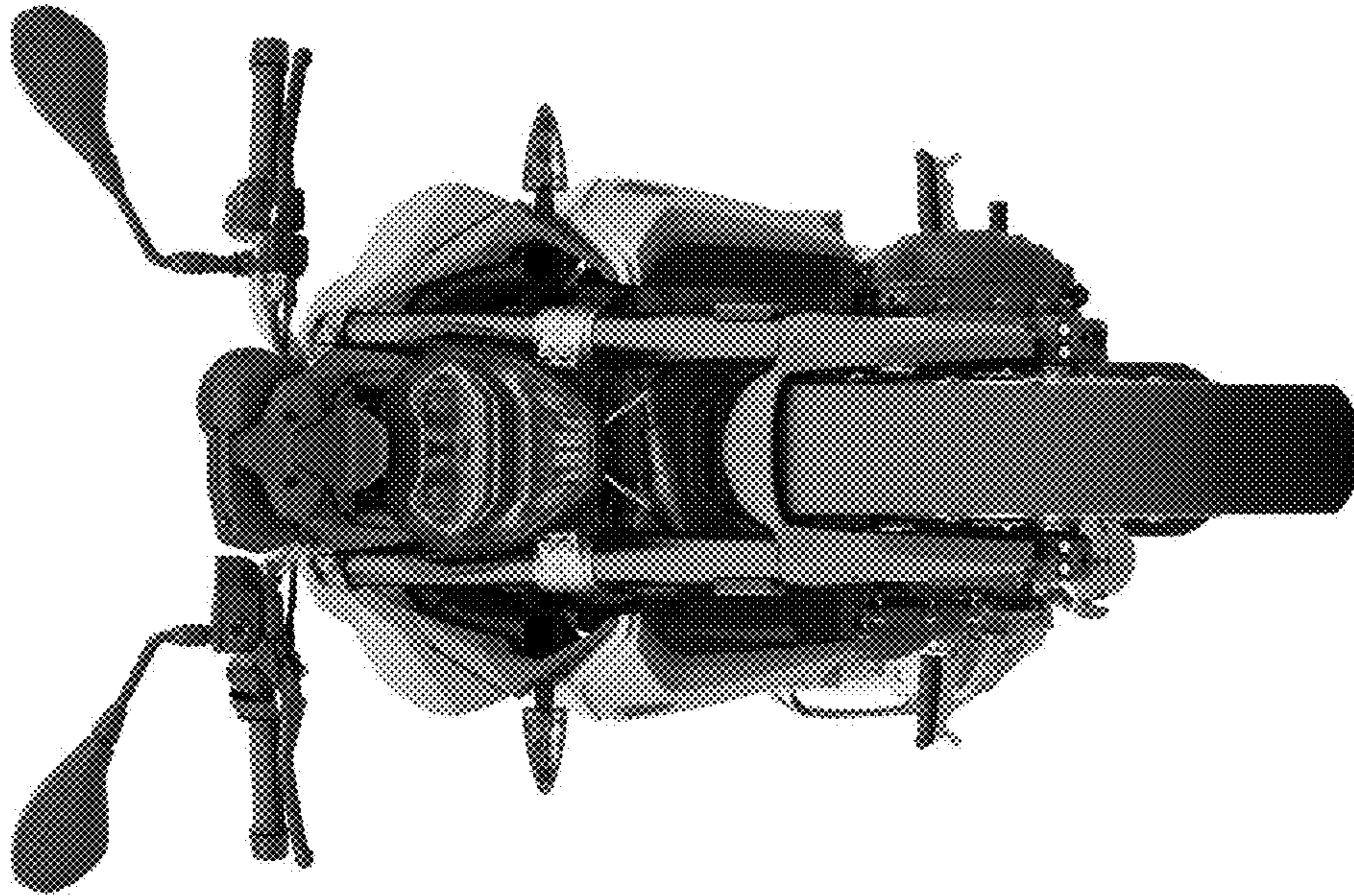


Fig. 4

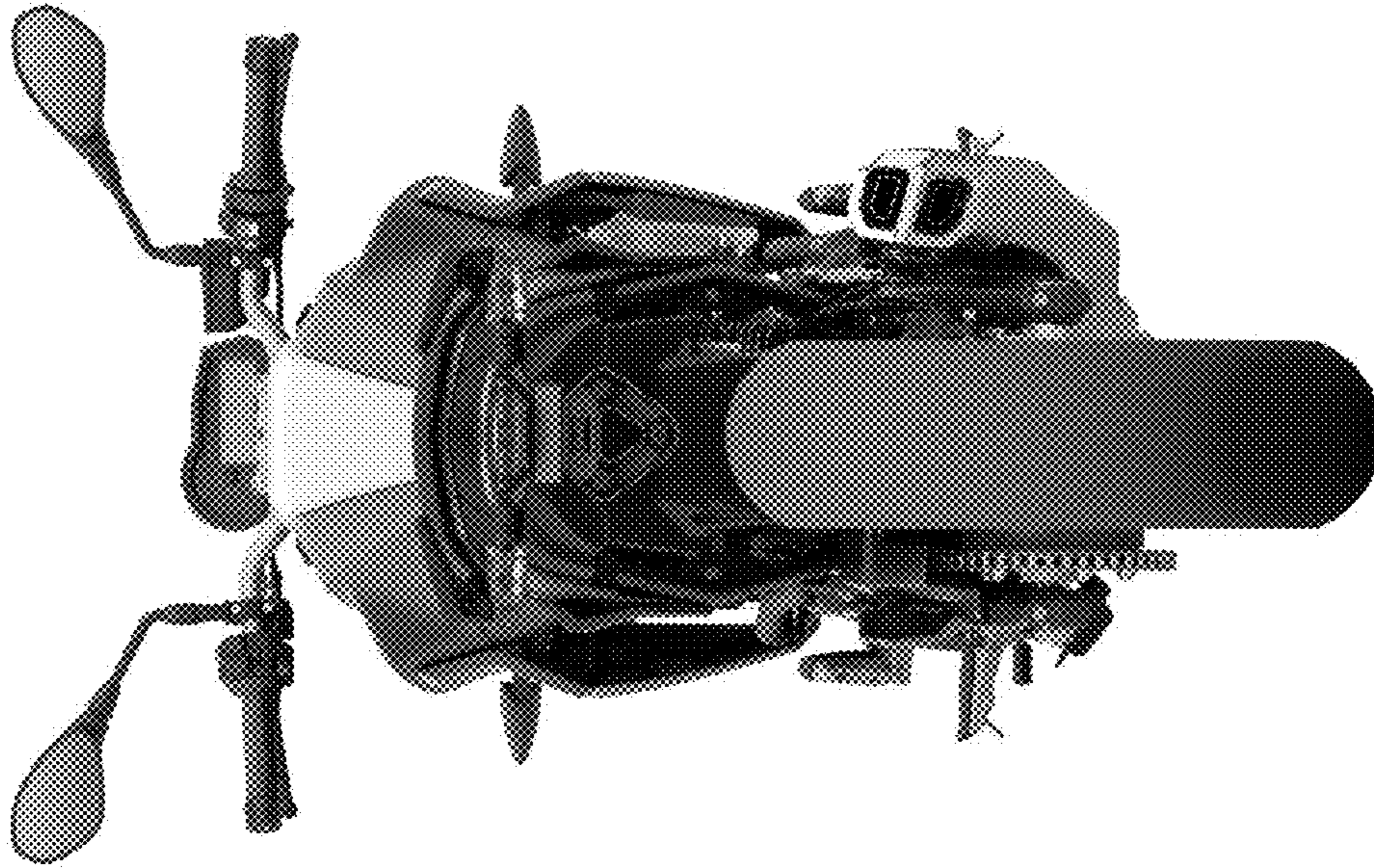


Fig. 5

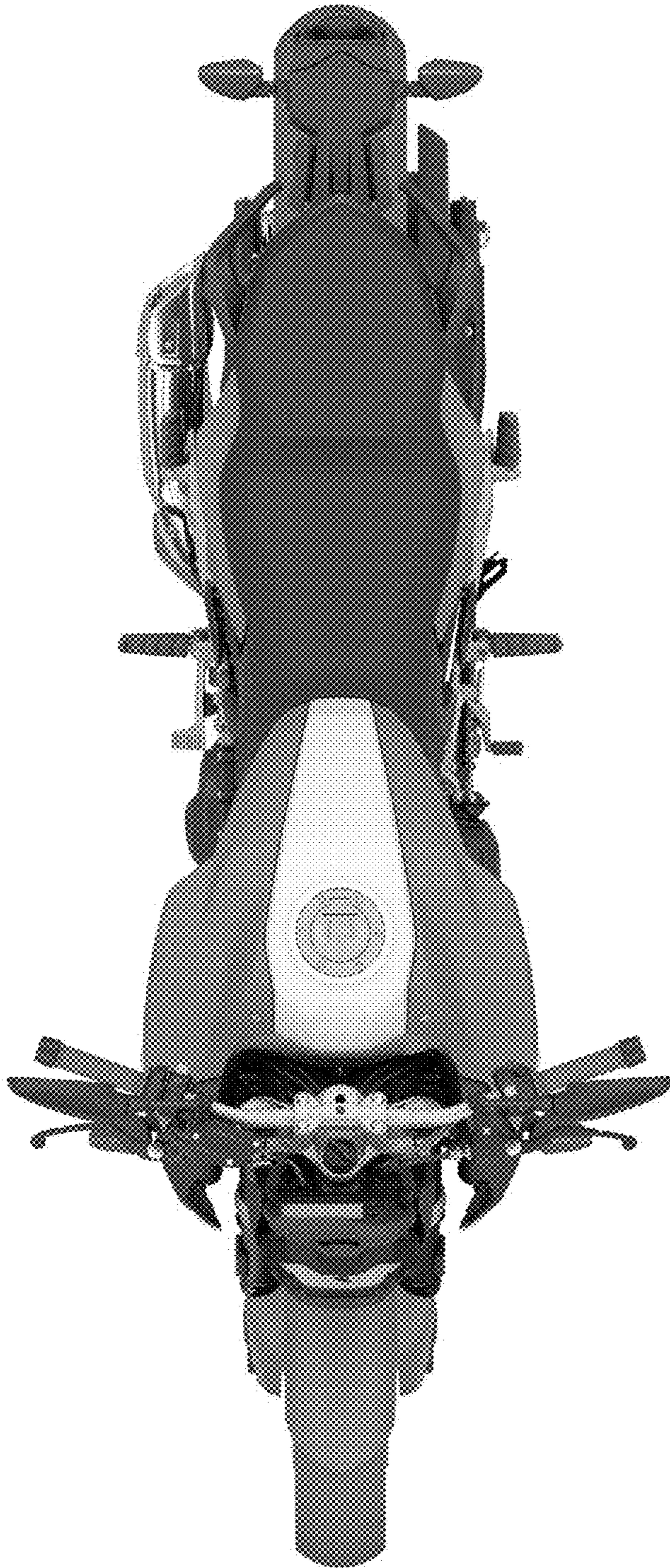


Fig. 6

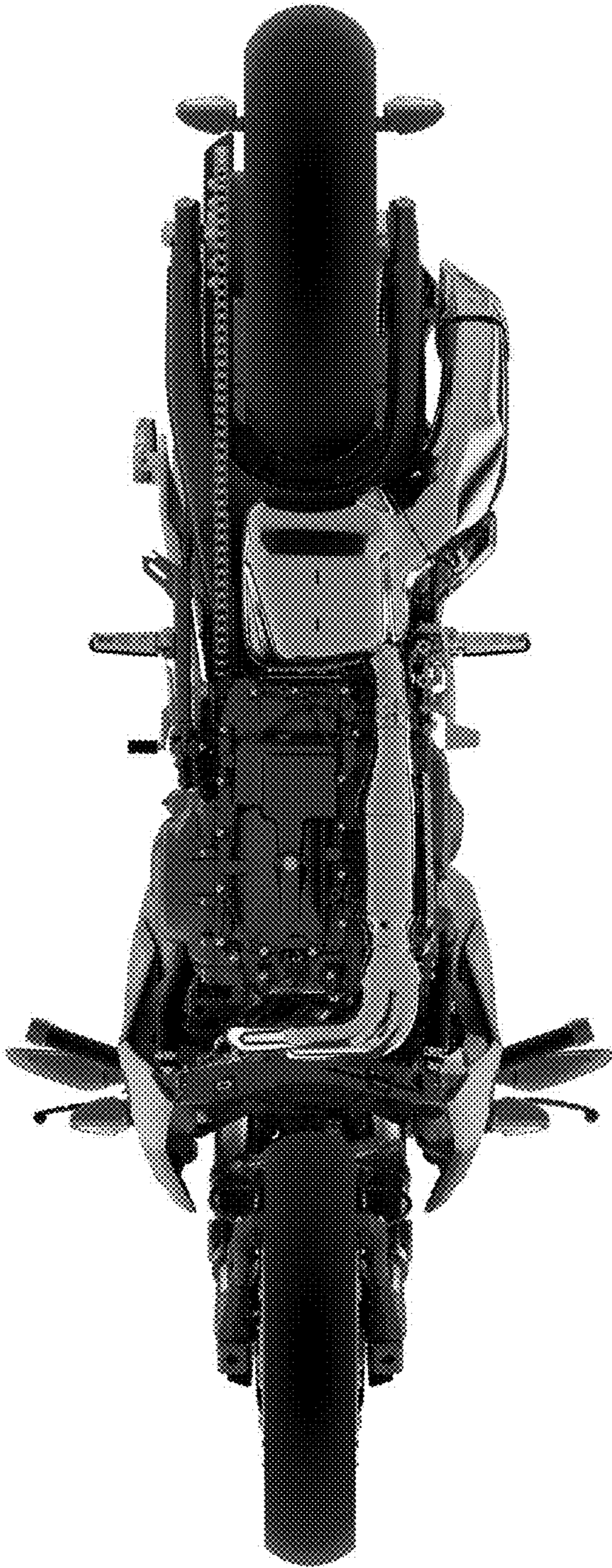


Fig. 7