



US00D921530S

(12) **United States Design Patent**
Paik et al.

(10) **Patent No.:** **US D921,530 S**
(45) **Date of Patent:** **** Jun. 8, 2021**

(54) **STRAP ADJUSTER**
(71) Applicant: **WOJIN PLASTIC CO., LTD.**,
Guri-si (KR)
(72) Inventors: **Jisook Paik**, Seoul (KR); **Nan Hee Paik**, Seoul (KR); **Ji Hye Paik**, Seoul (KR); **Ji Won Son**, Seoul (KR)

D315,093 S * 3/1991 Hanna D8/349
D376,994 S * 12/1996 Norris D11/218
5,774,957 A * 7/1998 Kohl A44C 5/2057
24/616
D476,263 S * 6/2003 Walters D11/200
(Continued)

(73) Assignee: **WOJIN PLASTIC CO., LTD.**,
Guri-si (KR)

FOREIGN PATENT DOCUMENTS

WO WO-8703177 A1 * 6/1987 A44B 11/04

(**) Term: **15 Years**

OTHER PUBLICATIONS

(21) Appl. No.: **29/673,144**

Amazon, C.S. Osborne BW Clips, posted Jul. 8, 2013, [visited Jan. 3, 2020]. Internet, <URL: https://www.amazon.co.uk/Clips-100-Box-Osborne-4452/dp/B00F4116YC/ref=sr_1_32?keywords=c+clip&qid=1577745795&sr=8-32> (Year: 2013).*

(22) Filed: **Dec. 12, 2018**

(30) **Foreign Application Priority Data**

Jun. 12, 2018 (KR) 30-2018-0026966

(51) **LOC (13) Cl.** **02-07**

(52) **U.S. Cl.**
USPC **D11/218**

(58) **Field of Classification Search**
USPC D11/200, 201, 208, 212, 215, 216, 218,
D11/219, 220, 221, 86, 87, 93, 94;
D8/383, 382, 499, 330, 399, 349, 384,
D8/388

CPC A44C 23/00; A44C 5/18; A44C 5/185;
A44C 5/2066; A44C 5/2042; A44C
5/2057; A44C 5/2071; A44D 2200/10;
A44D 2201/02; A44D 2201/10; A44D
2201/12; A44D 2201/14; A44D 2201/16;
A44D 2201/30; A44D 2201/32; A44D
2201/34; A44D 2201/36; A44D 2203/00;
A44D 2205/00; A44B 11/00; A44B
11/25; A44B 11/2553; A44B 11/2549;
A44B 11/04

See application file for complete search history.

(56) **References Cited**

U.S. PATENT DOCUMENTS

D239,082 S * 3/1976 Manning D8/383
D277,546 S * 2/1985 Trotta D8/16

Primary Examiner — Sheryl Lane
Assistant Examiner — Samantha N Wood
(74) *Attorney, Agent, or Firm* — Novick, Kim & Lee,
PLLC; Jae Youn Kim

(57) **CLAIM**

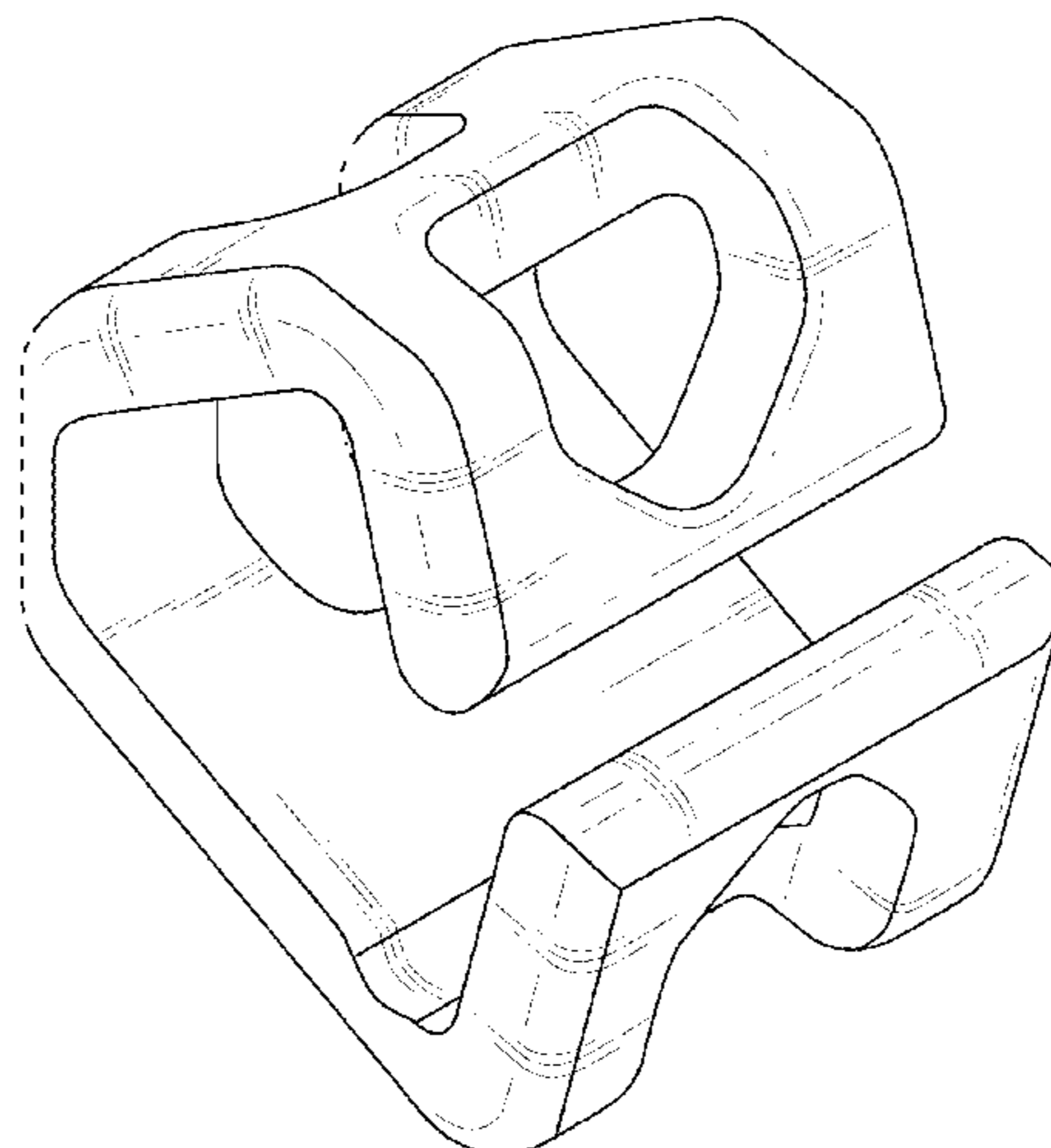
The ornamental design for a strap adjuster, as shown and described.

DESCRIPTION

FIG. 1 is a perspective view of a strap adjuster, showing our new design;
FIG. 2 is a front view thereof;
FIG. 3 is a rear view thereof;
FIG. 4 is a left-side view thereof;
FIG. 5 is a right-side view thereof;
FIG. 6 is a top view thereof;
FIG. 7 is a bottom view thereof; and,
FIG. 8 is a cross-sectional view taken along line 8-8 in FIG. 2.

The broken lines in the drawings show portions of the strap adjuster which form no part of the claimed design.

1 Claim, 7 Drawing Sheets



(56)

References Cited

U.S. PATENT DOCUMENTS

D646,557 S	*	10/2011	Chan	D8/367
D670,601 S	*	11/2012	Paik	D11/218
D729,046 S	*	5/2015	Paik	D8/367
D762,455 S	*	8/2016	Partridge	D8/349
D788,254 S	*	5/2017	Baehler	D22/108

* cited by examiner

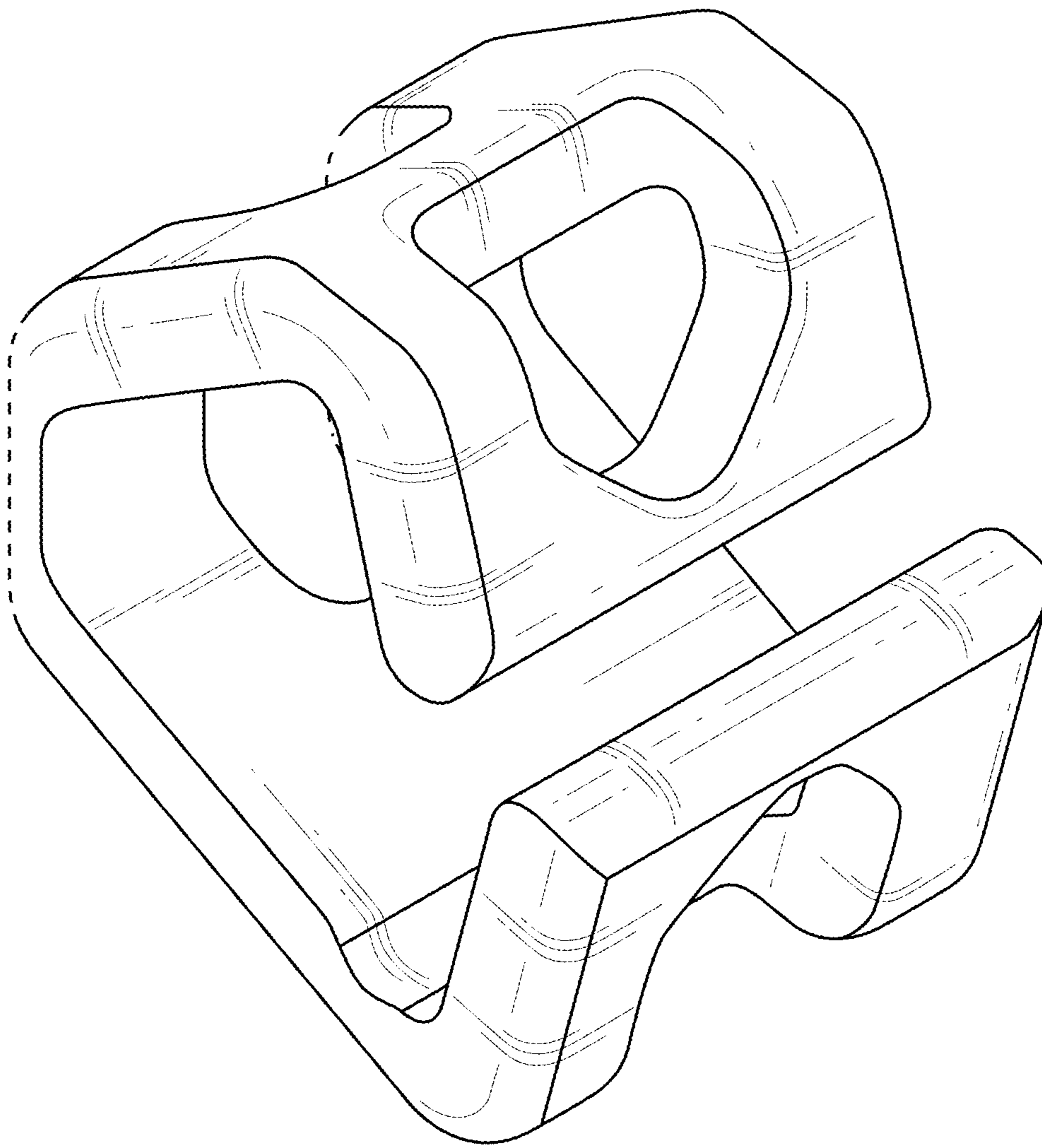


FIG. 1

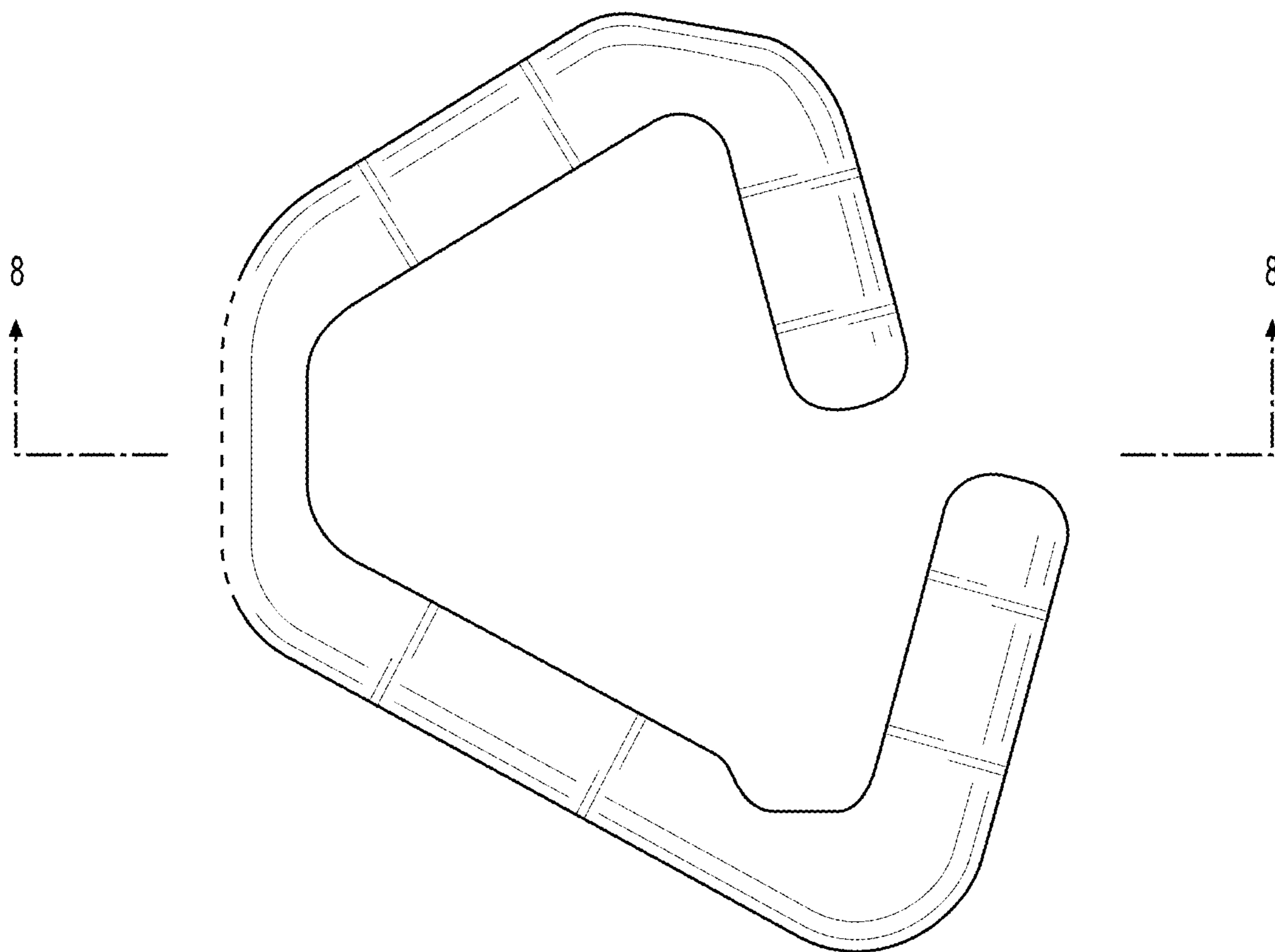


FIG. 2

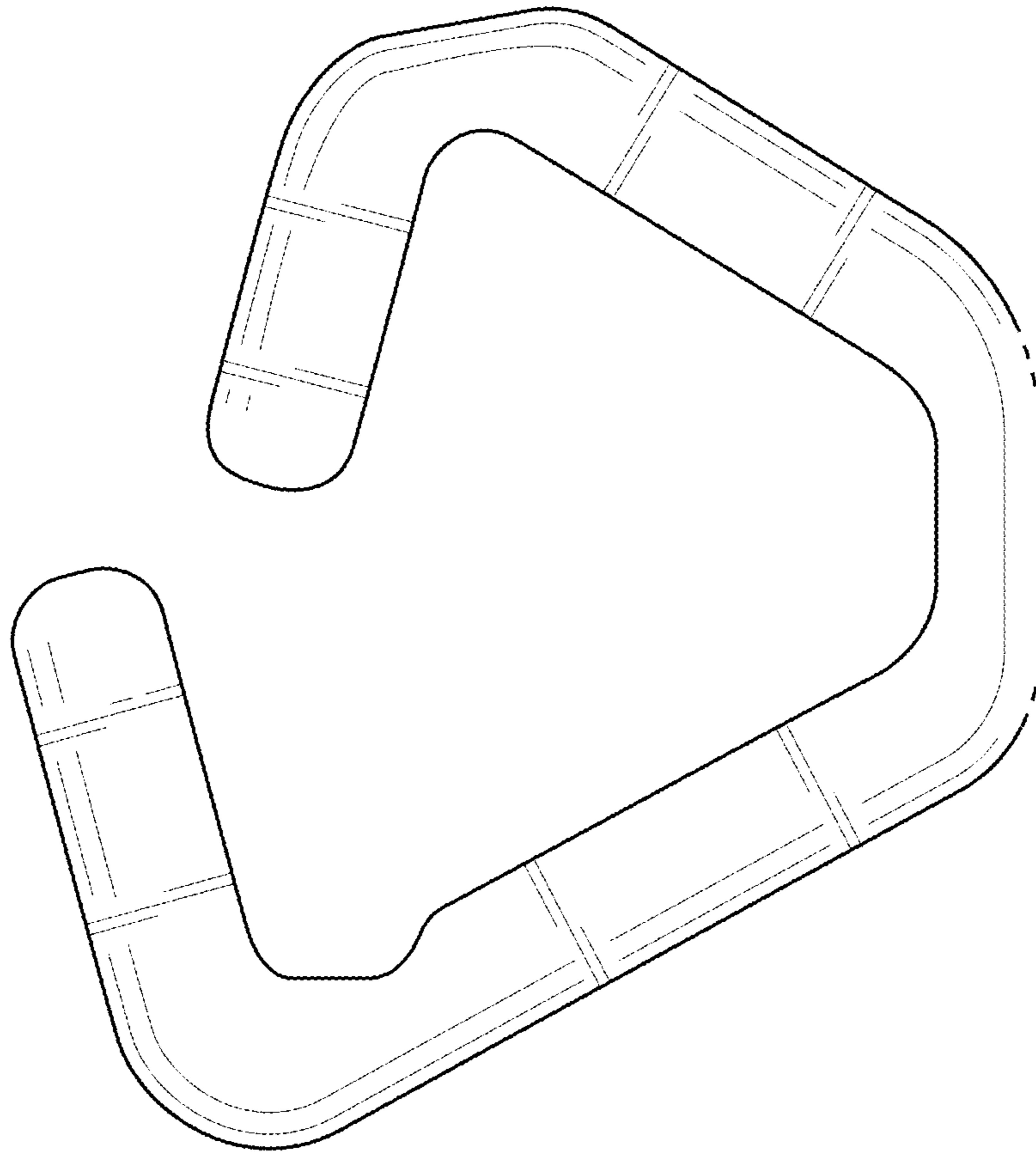


FIG. 3

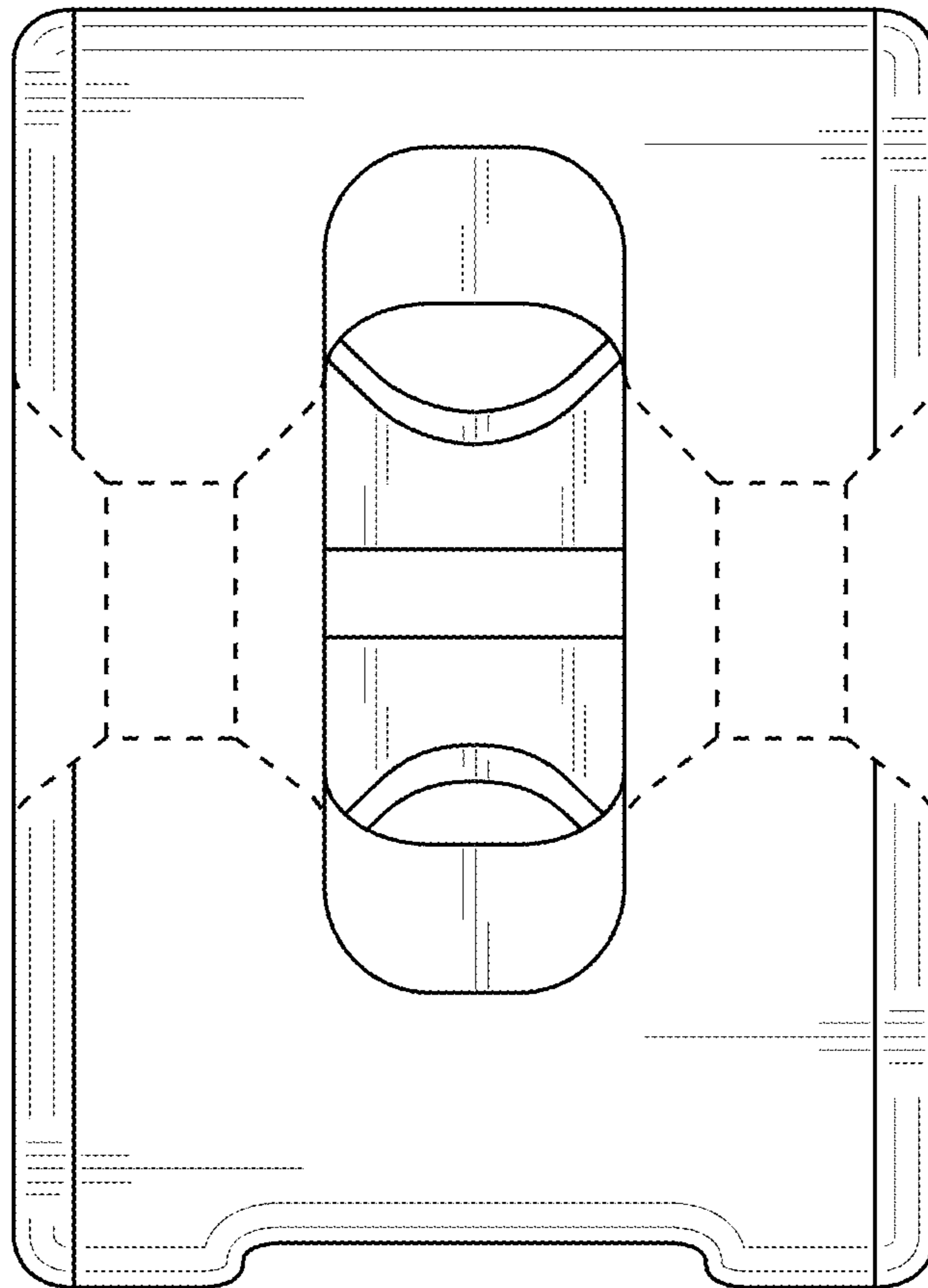


FIG. 4

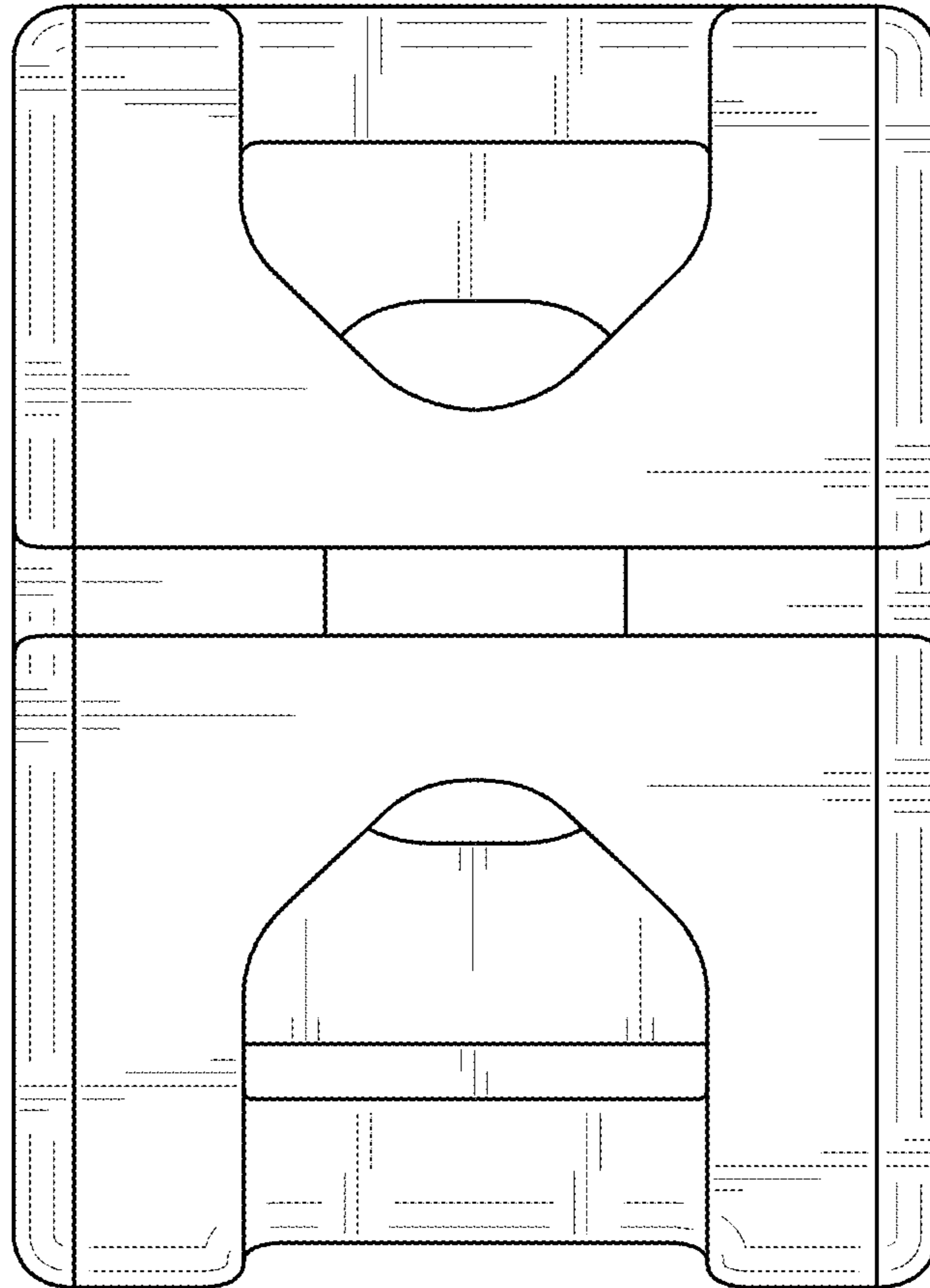


FIG. 5

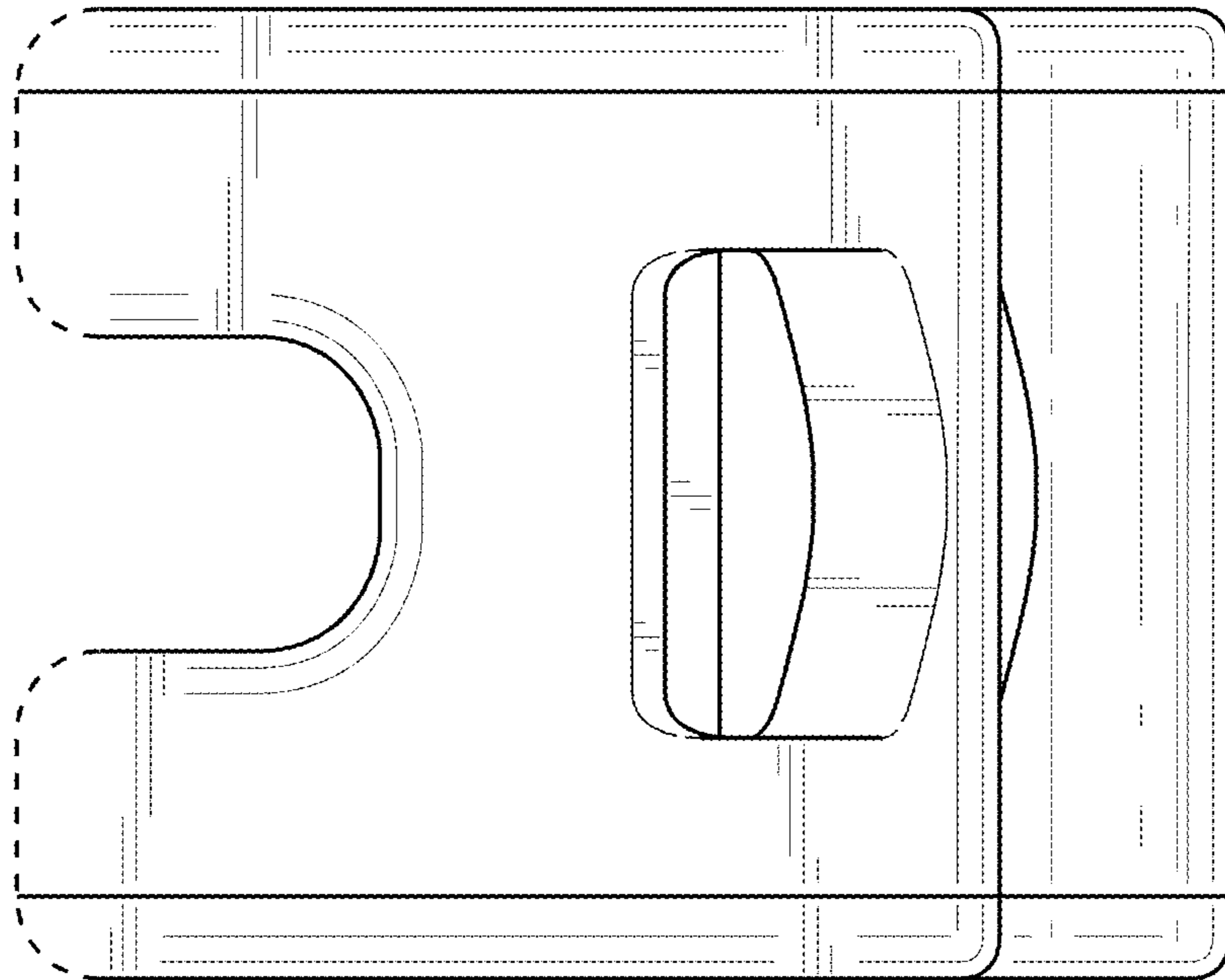


FIG. 6

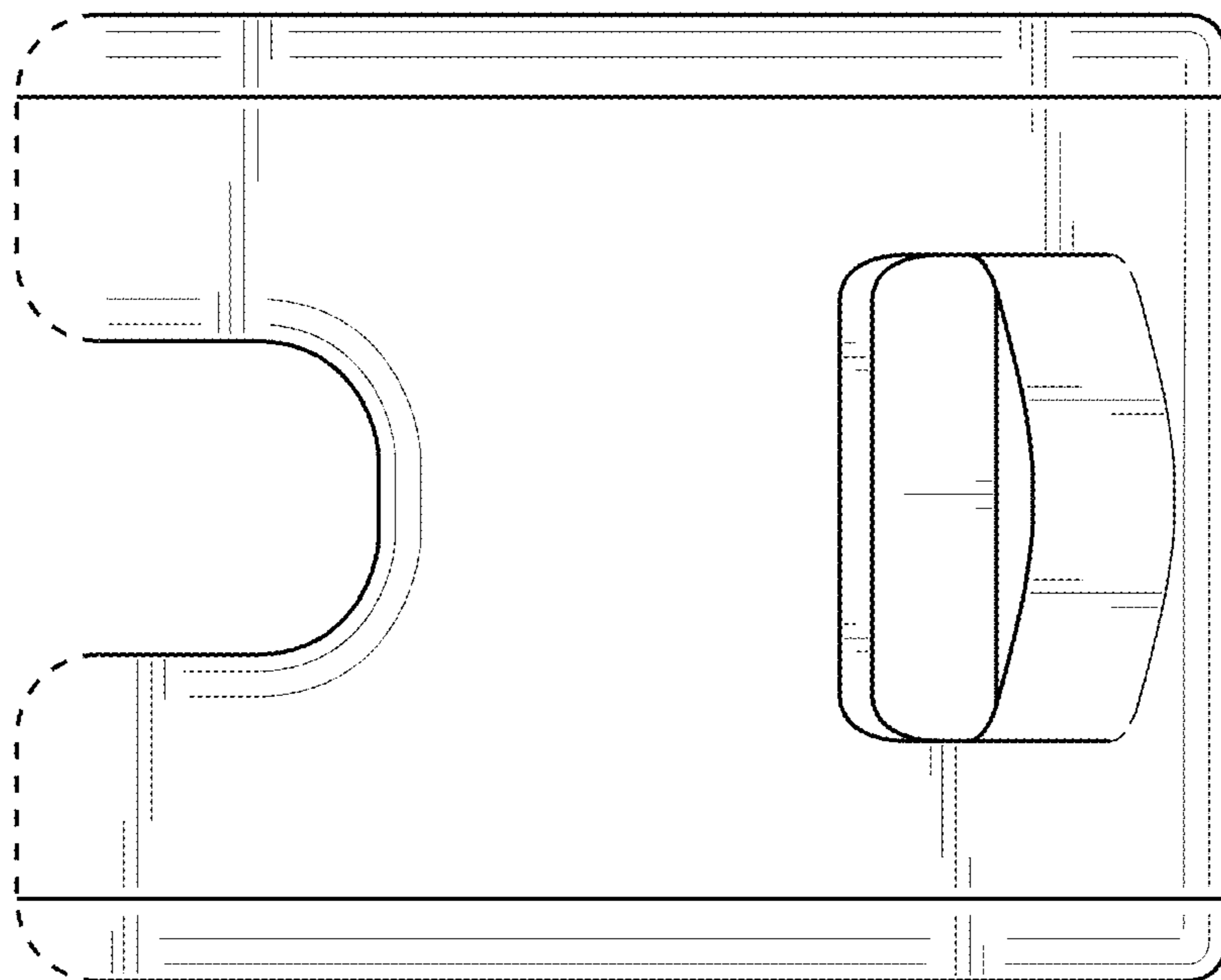


FIG. 7

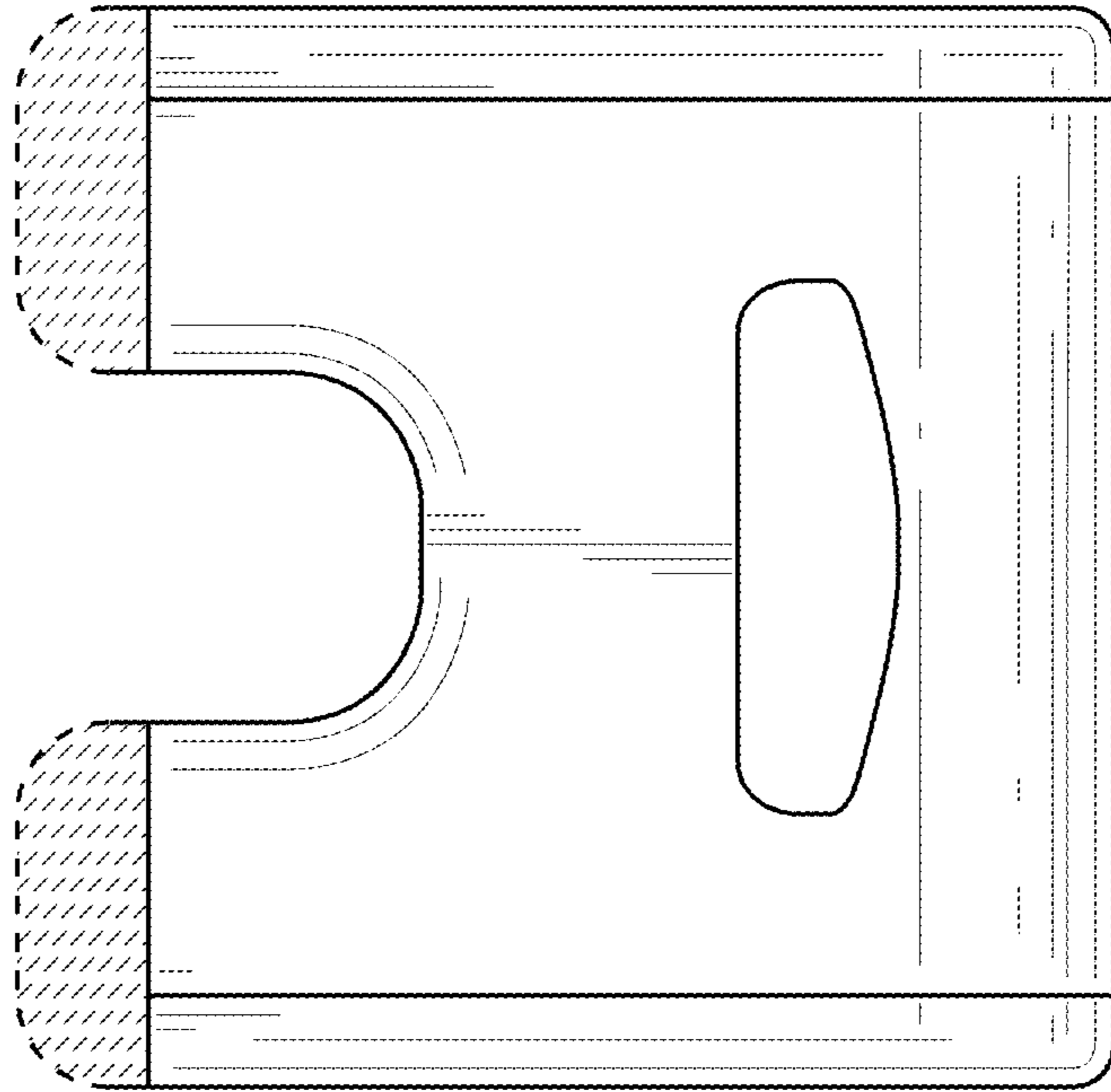


FIG. 8