



US00D921529S

(12) **United States Design Patent** (10) **Patent No.:** **US D921,529 S**  
**Cattabriga et al.** (45) **Date of Patent:** **\*\* Jun. 8, 2021**

(54) **DECORATIVE ORNAMENT WITH SURFACE ORNAMENTATION**

(71) Applicant: **FERRARI S.p.A.**, Modena (IT)  
(72) Inventors: **Adalberto Cattabriga**, Modena (IT);  
**Matteo Biancalana**, Modena (IT);  
**Luca Zanetti**, Modena (IT)  
(73) Assignee: **FERRARI S.p.A.**, Modena (IT)  
(\*\*) Term: **15 Years**

(21) Appl. No.: **35/508,023**

(22) Filed: **Mar. 14, 2019**

(80) **Hague Agreement Data**

Int. Filing Date: **Mar. 14, 2019**  
Int. Reg. No.: **DM/204429**  
Int. Reg. Date: **Mar. 14, 2019**  
Int. Reg. Pub. Date: **Dec. 6, 2019**

(51) **LOC (13) Cl.** ..... **11-02**

(52) **U.S. Cl.**  
USPC ..... **D11/163; D12/86**

(58) **Field of Classification Search**  
USPC ..... D12/86, 88, 90-92, 184, 196; D21/424,  
D21/433, 434, 533, 548  
CPC ..... B62D 25/00; B62D 25/02; B62D 25/06;  
B62D 35/00; B62D 35/005; B60J 5/04  
See application file for complete search history.

(56) **References Cited**

**U.S. PATENT DOCUMENTS**

D515,486 S \* 2/2006 Yokomaku ..... D12/190  
D534,847 S \* 1/2007 Yokomaku ..... D12/190  
D617,683 S \* 6/2010 Beneggi ..... D12/92  
D710,259 S \* 8/2014 Baccino ..... D12/92  
D718,667 S \* 12/2014 Manzoni ..... D12/92  
D753,548 S \* 4/2016 Gilles ..... D12/88  
D753,549 S \* 4/2016 Manzoni ..... D12/88  
D780,063 S \* 2/2017 Stephenson ..... D12/88

(Continued)

**OTHER PUBLICATIONS**

Twitter.com, Crazy Paint Job, twitter post dated Apr. 21, 2015, retrieved Dec. 11, 2020 from <URL:https://twitter.com/WonderfulWhips/status/590607752424218624/photo/1> (Year: 2015).\*

(Continued)

*Primary Examiner* — George D. Kirschbaum

*Assistant Examiner* — Calvin E Vansant

(74) *Attorney, Agent, or Firm* — Cowan, Liebowitz & Latman, P.C.; Anastasia Zhadina

(57) **CLAIM**

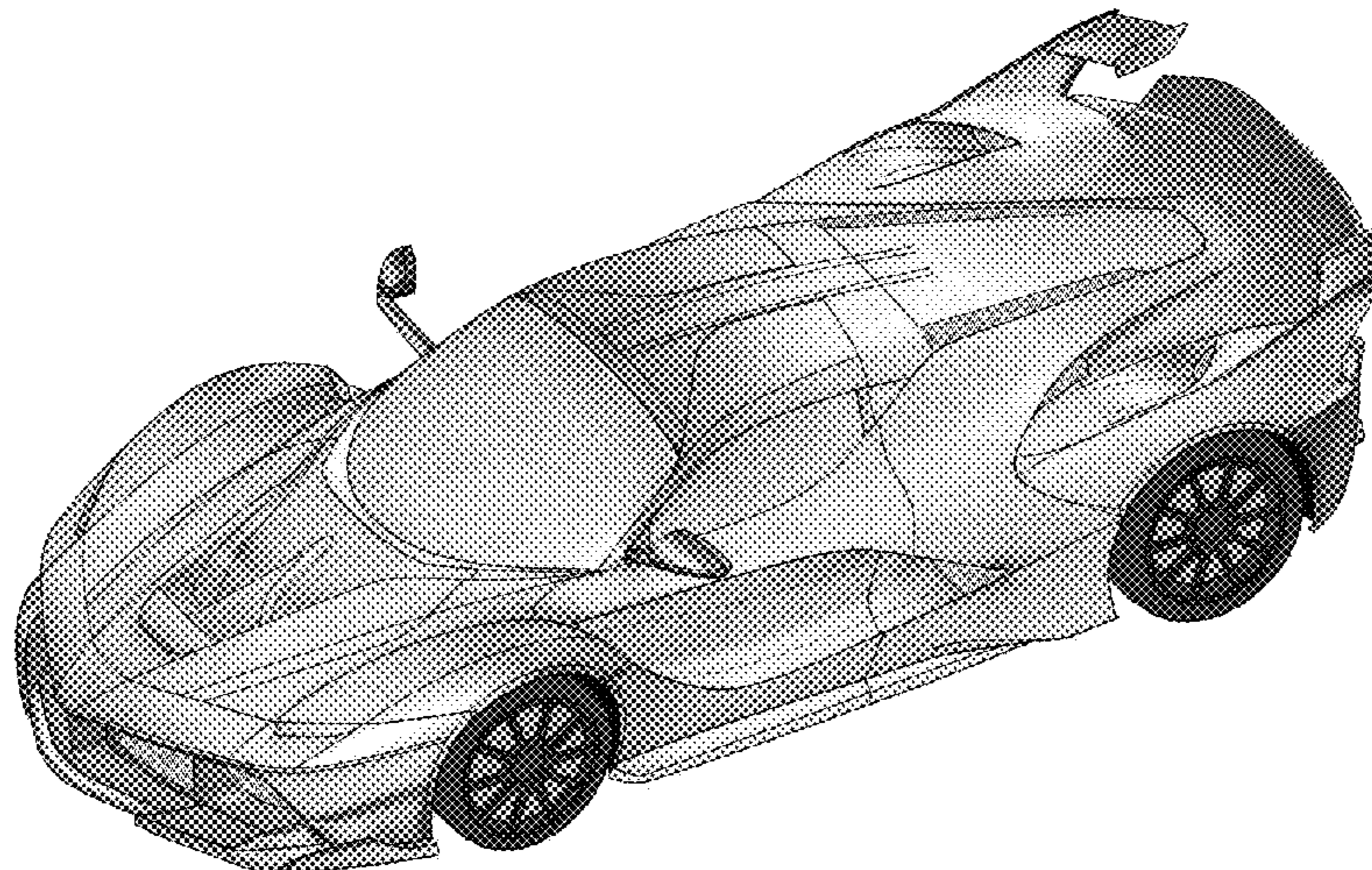
The ornamental design for a decorative ornament with surface ornamentation, as shown and described.

**DESCRIPTION**

1.-2. Decorative ornament with surface ornamentation  
The patent or application file contains at least one drawing executed in color. Copies of this patent or patent application publication with color drawing(s) will be provided by the Office upon request and payment of the necessary fee.

- 1.1 : Front perspective view
- 1.2 : Rear perspective view
- 1.3 : Front
- 1.4: Back
- 1.5 : Lateral view
- 1.6 : Top plan view
- 1.7 : Bottom
- 2.1 : Front perspective view
- 2.2 : Rear perspective view
- 2.3 : Front
- 2.4: Back
- 2.5 : Lateral view
- 2.6 : Top plan view
- 2.7 : Bottom

**1 Claim, 14 Drawing Sheets**  
**(7 of 14 Drawing Sheet(s) Filed in Color)**



(56)

**References Cited**

U.S. PATENT DOCUMENTS

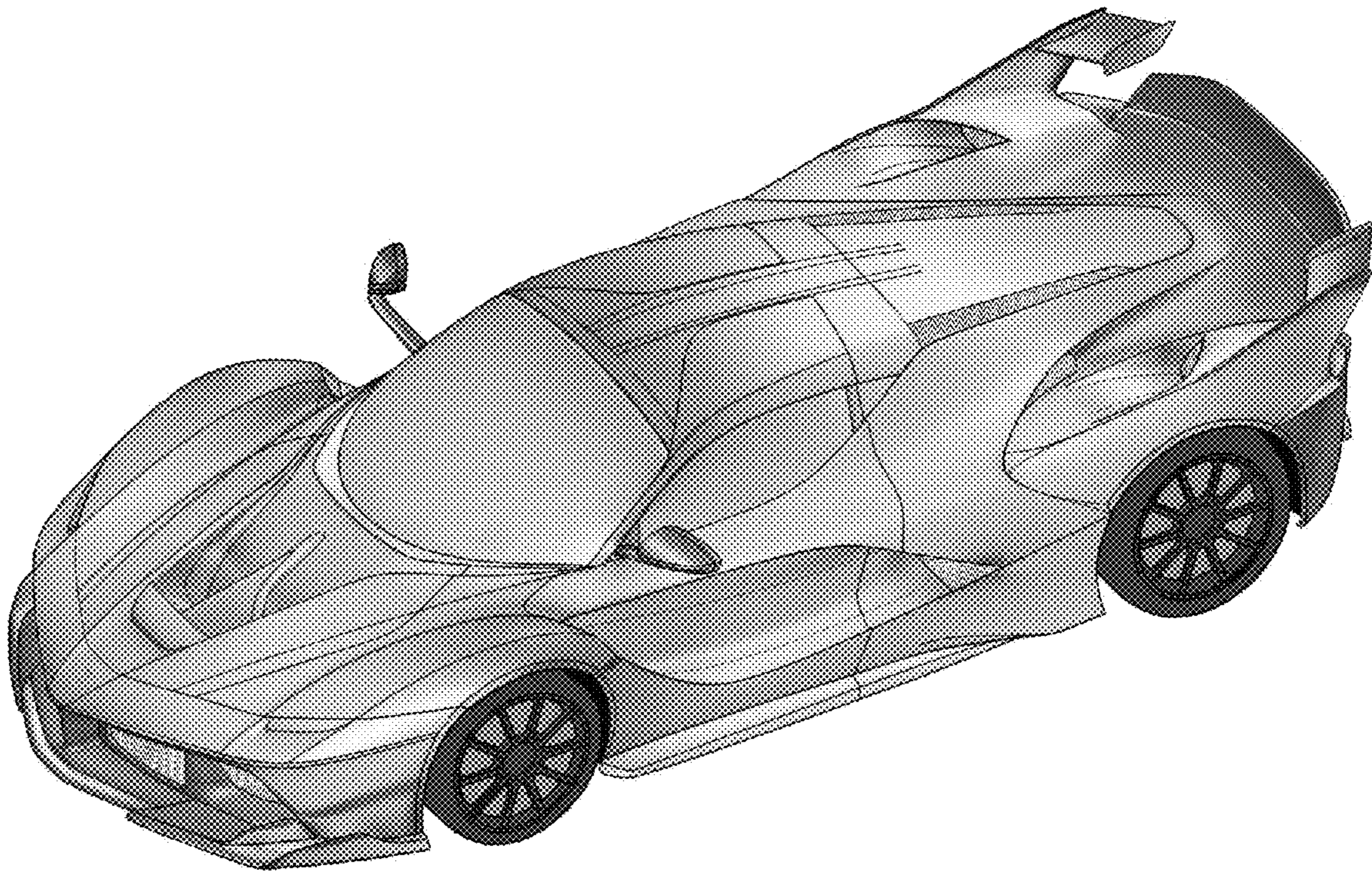
D813,095 S \* 3/2018 Manzoni ..... D12/88  
D821,267 S \* 6/2018 Borkert ..... D12/92  
D823,724 S \* 7/2018 Melville ..... D12/92  
D826,092 S \* 8/2018 Manzoni ..... D12/92  
D826,784 S \* 8/2018 Hauser ..... D12/92  
D833,912 S \* 11/2018 Manzoni ..... D12/88  
D834,998 S \* 12/2018 Manzoni ..... D12/88  
D842,787 S \* 3/2019 Manzoni ..... D12/196  
D868,647 S \* 12/2019 Buck ..... D12/169  
D873,178 S \* 1/2020 Howse ..... D12/92  
D881,075 S \* 4/2020 Larson ..... D12/92  
2019/0009842 A1 \* 1/2019 Biancalana ..... B62D 35/007

OTHER PUBLICATIONS

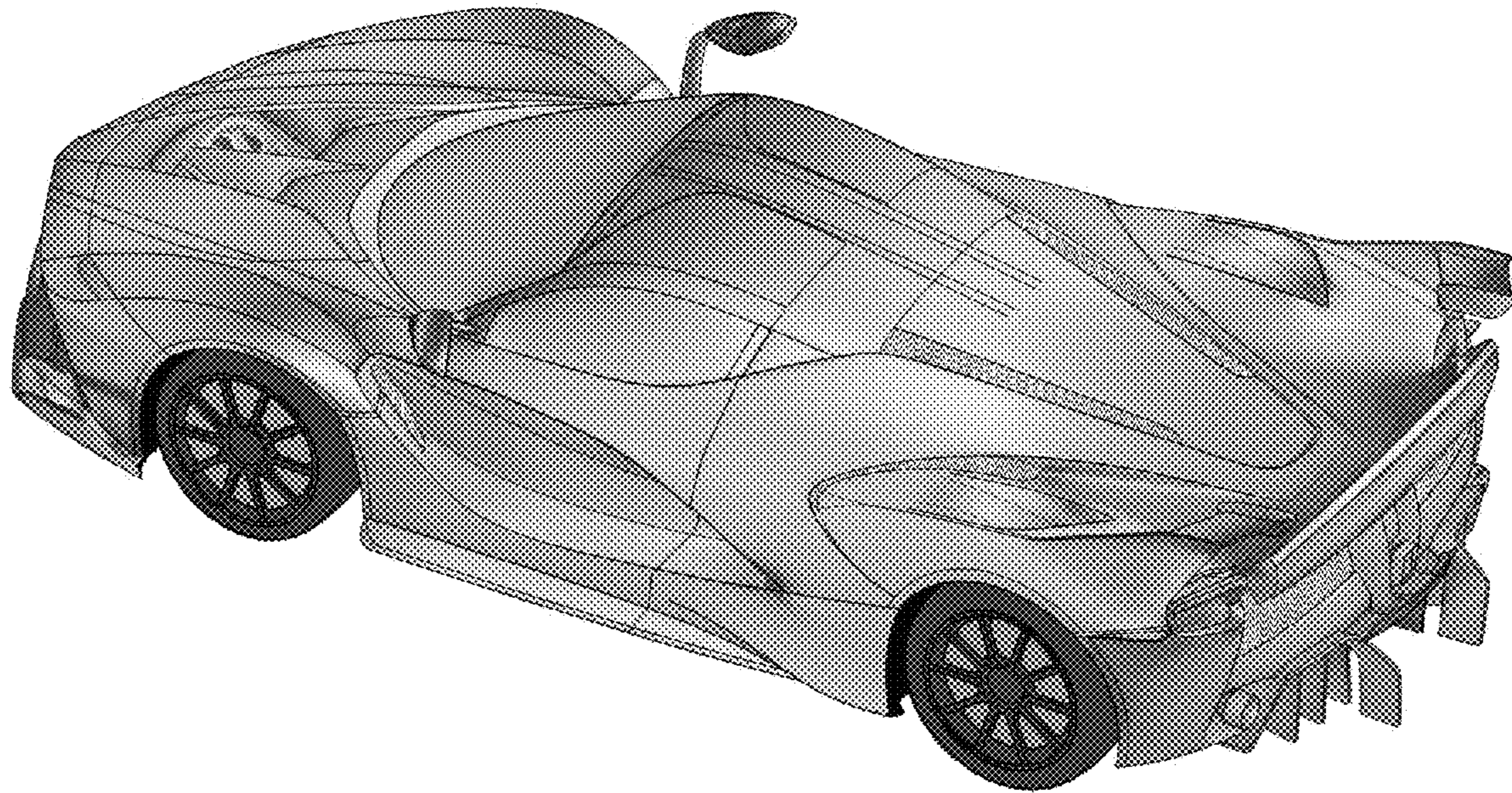
Carbodydesign.com, Volvo researches the emotive power of car design, online industry blog post dated Nov. 28, 2013, retrieved Dec. 11, 2020 from <URL:<https://www.carbodydesign.com/2013/11/volvo-researches-the-emotive-power-of-car-design/>> (Year: 2013).\*

\* cited by examiner

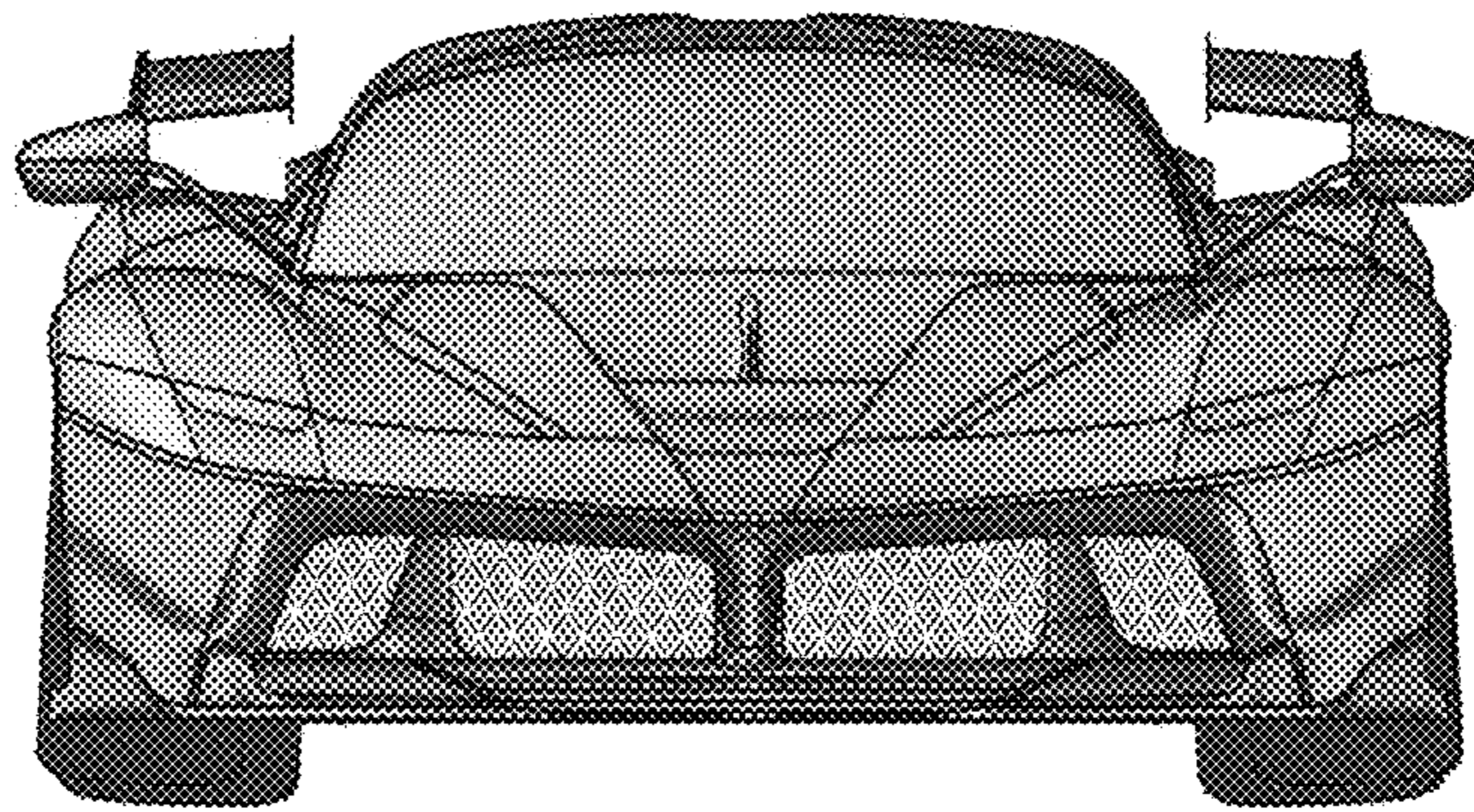
1.1



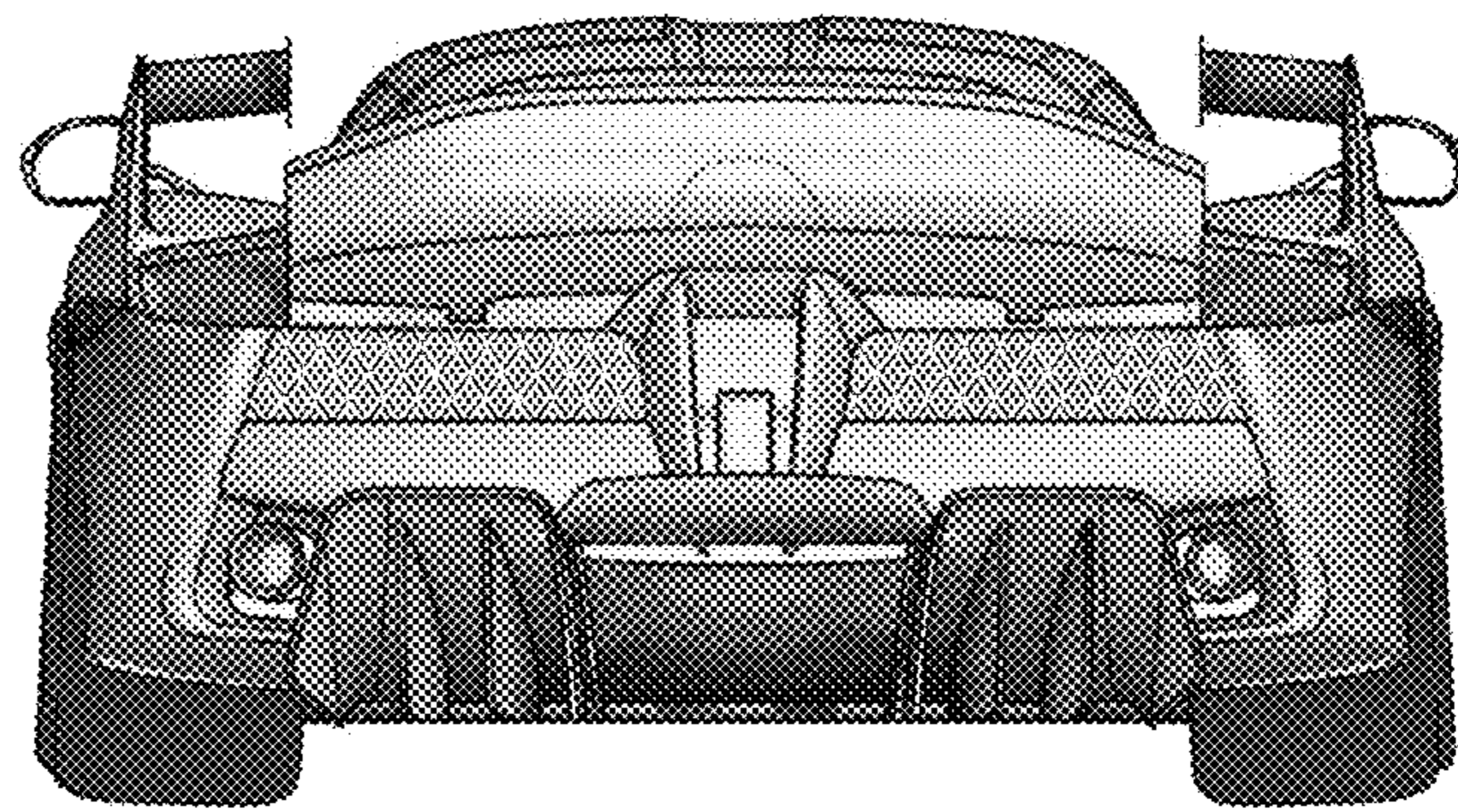
1.2



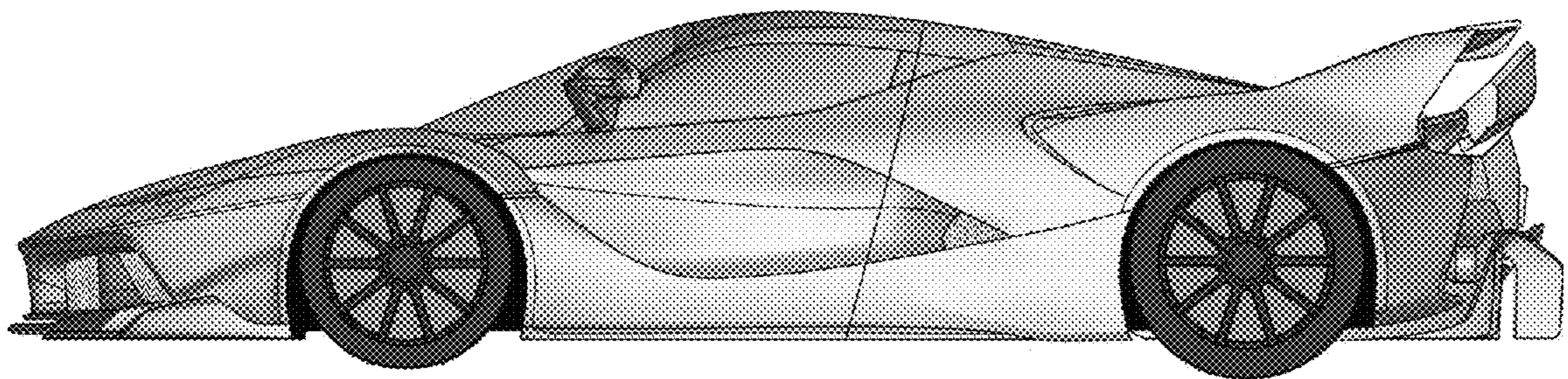
1.3



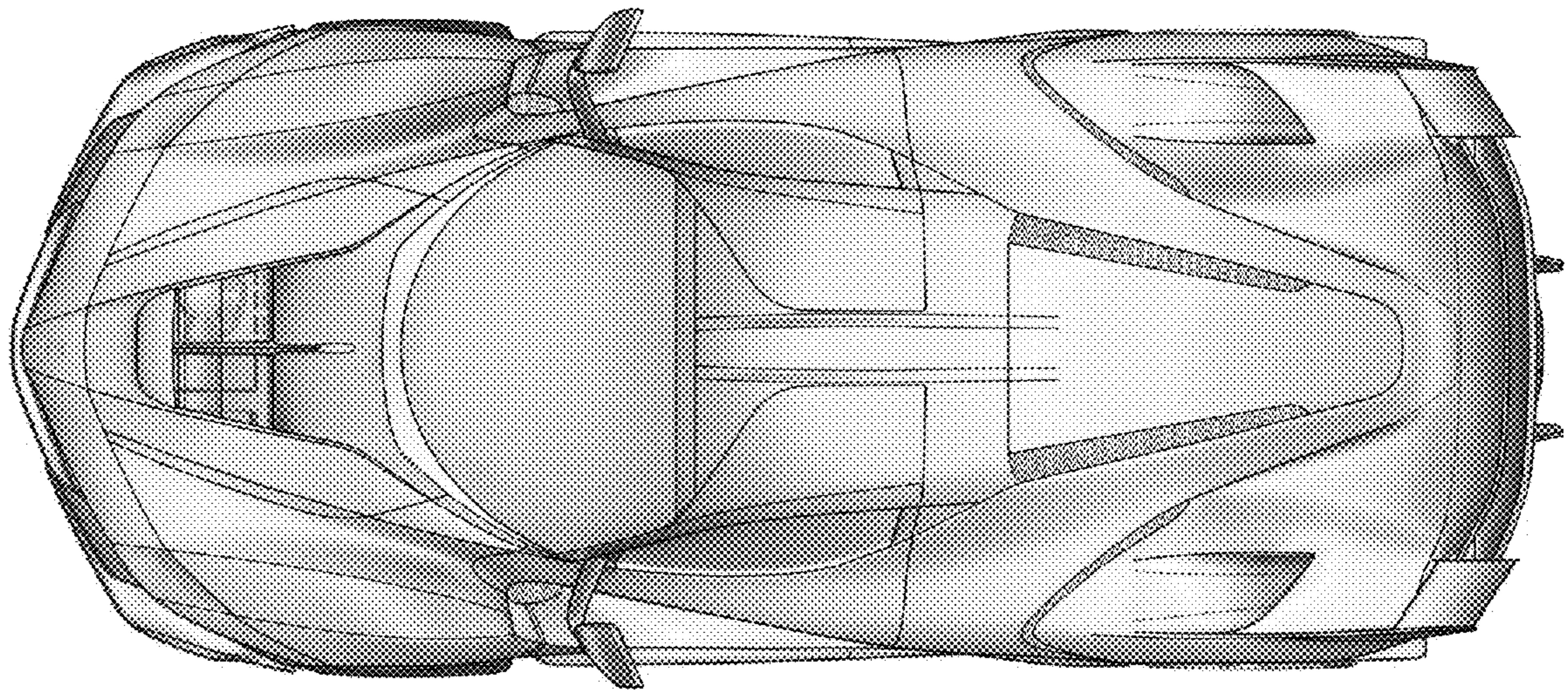
1.4



1.5

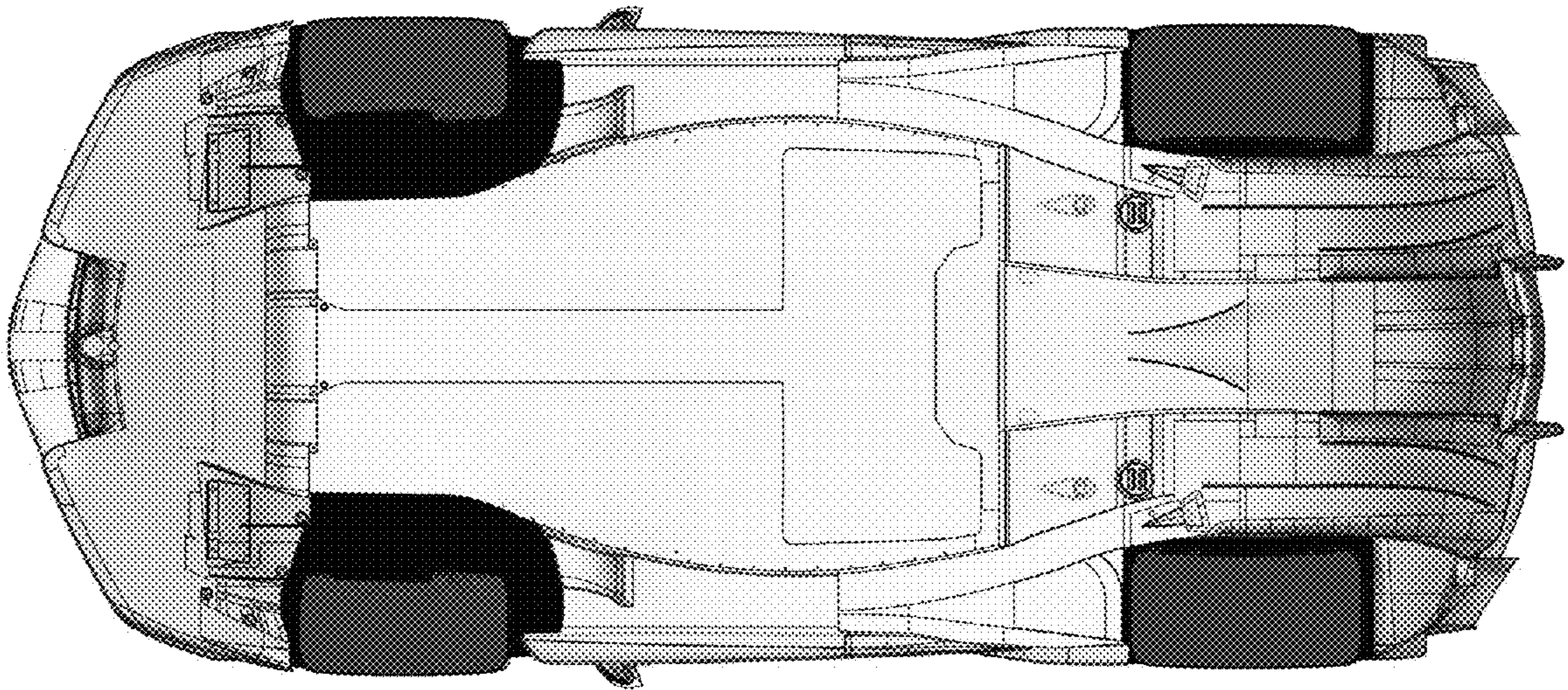


1.6

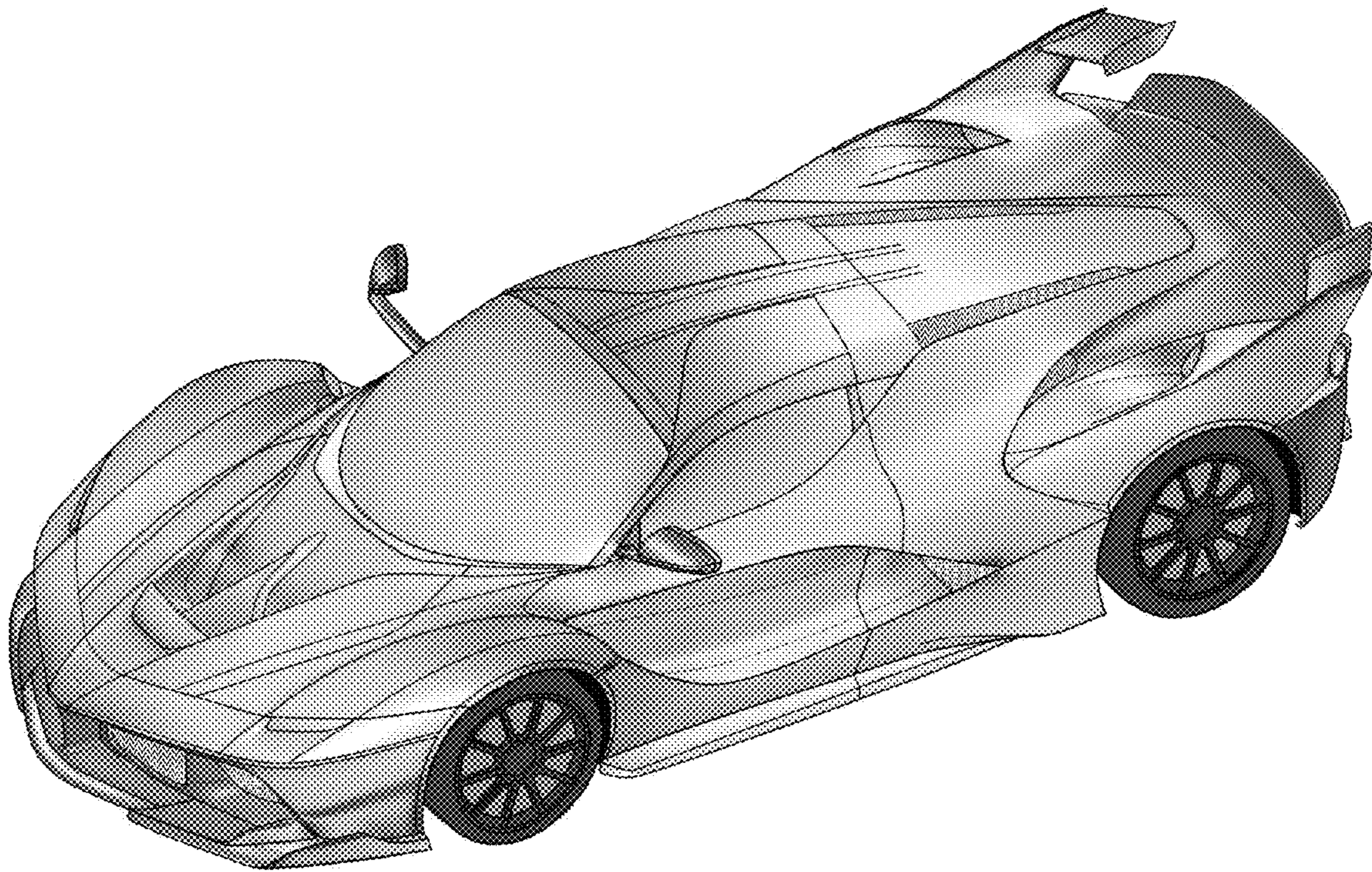




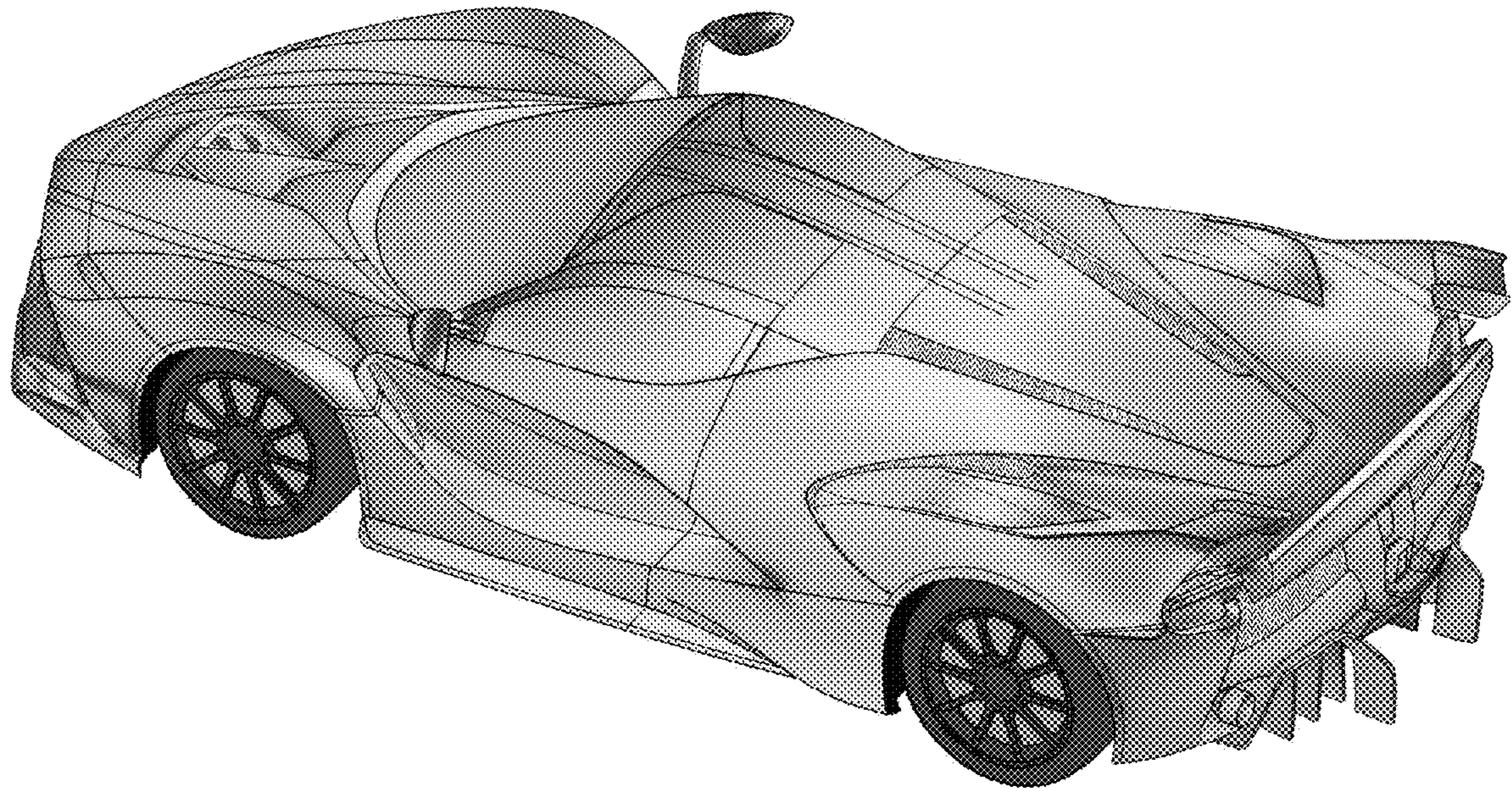
1.7



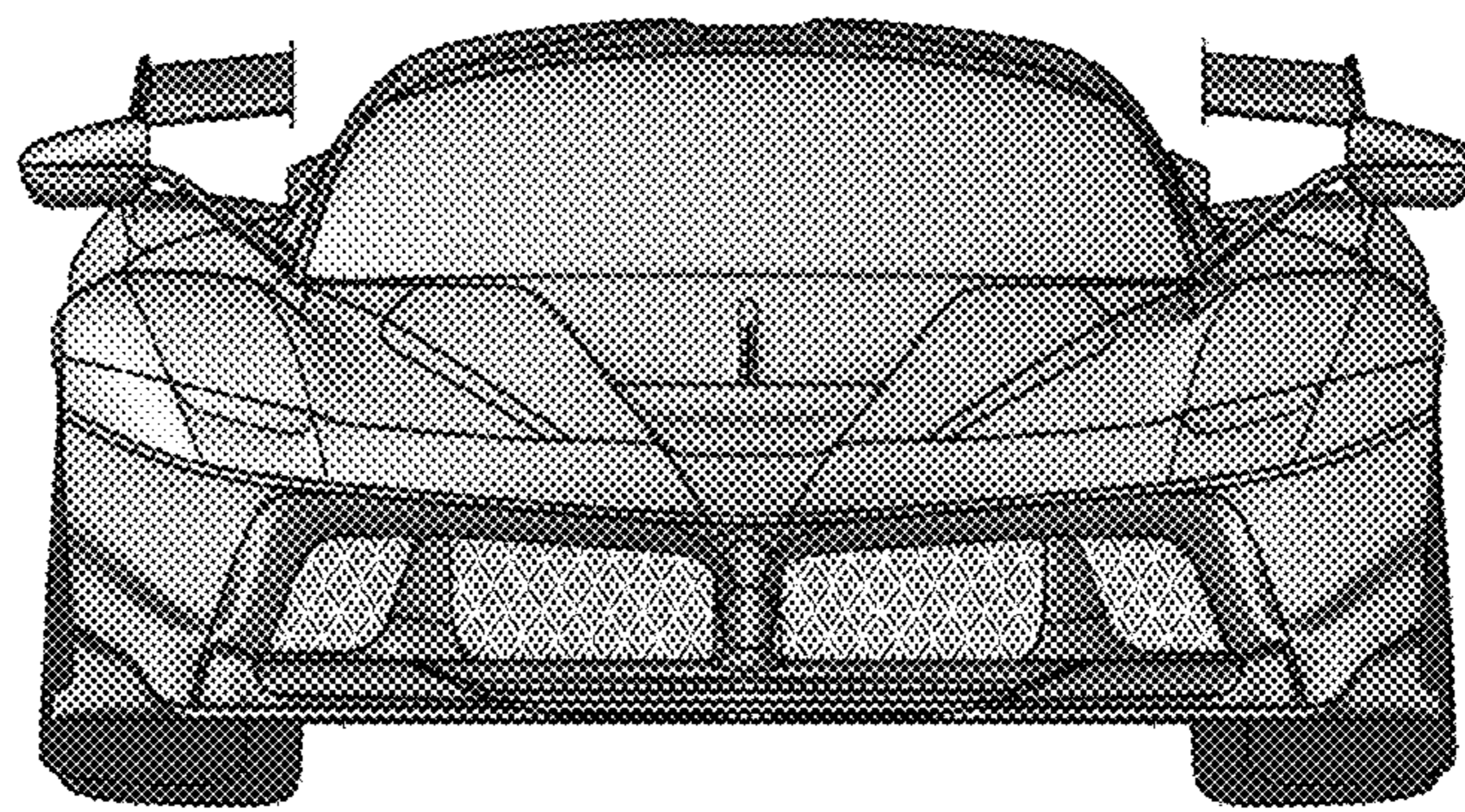
2.1



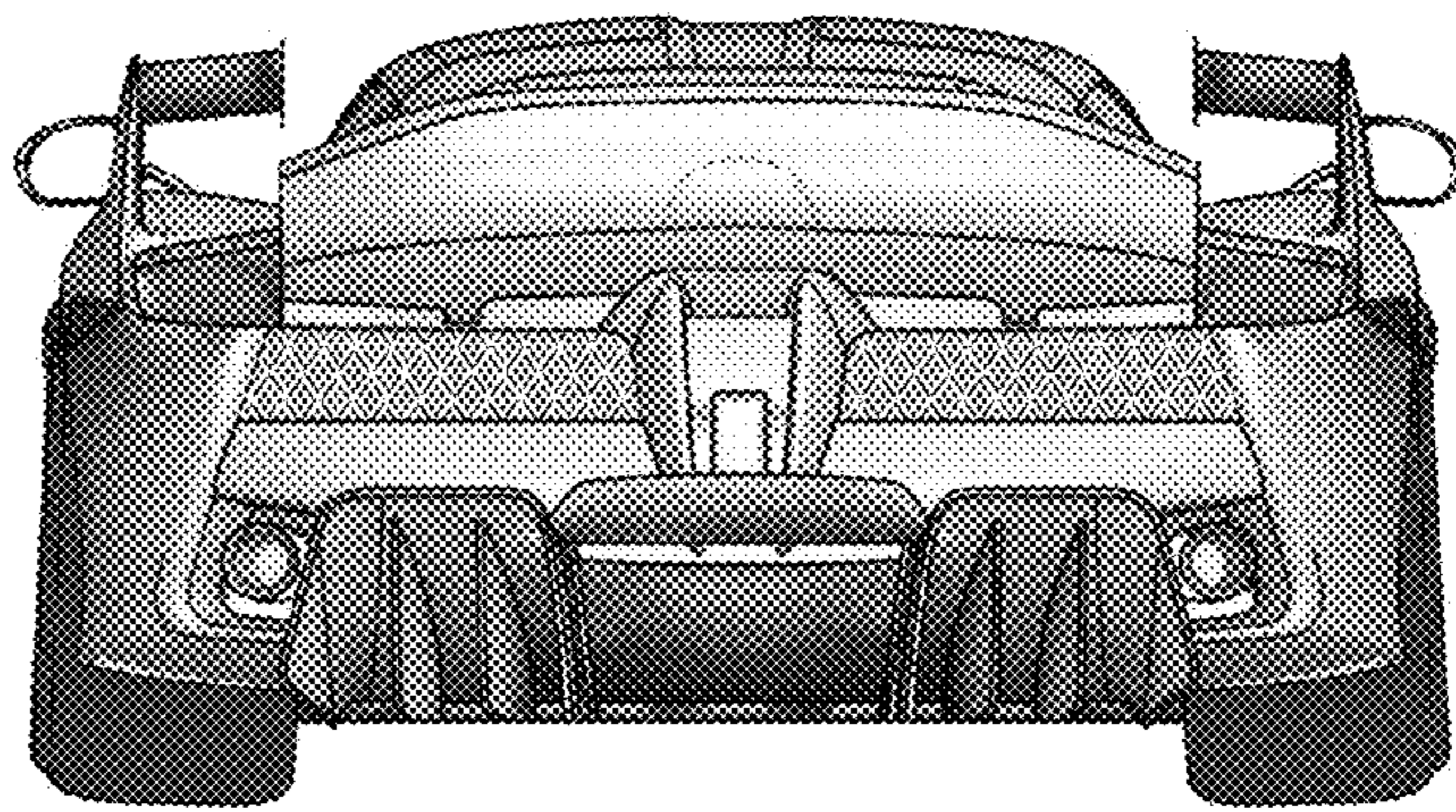
2.2



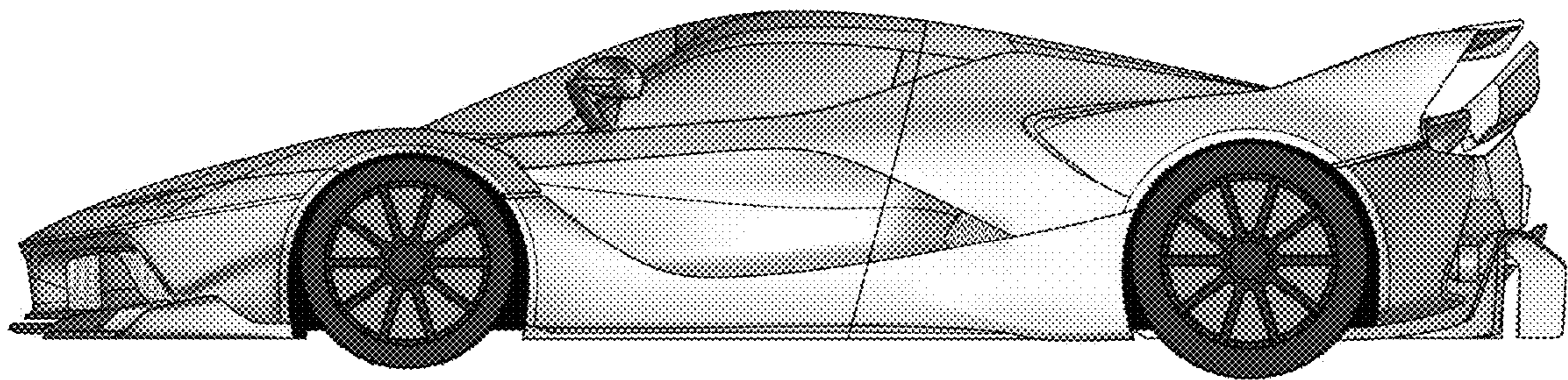
2.3



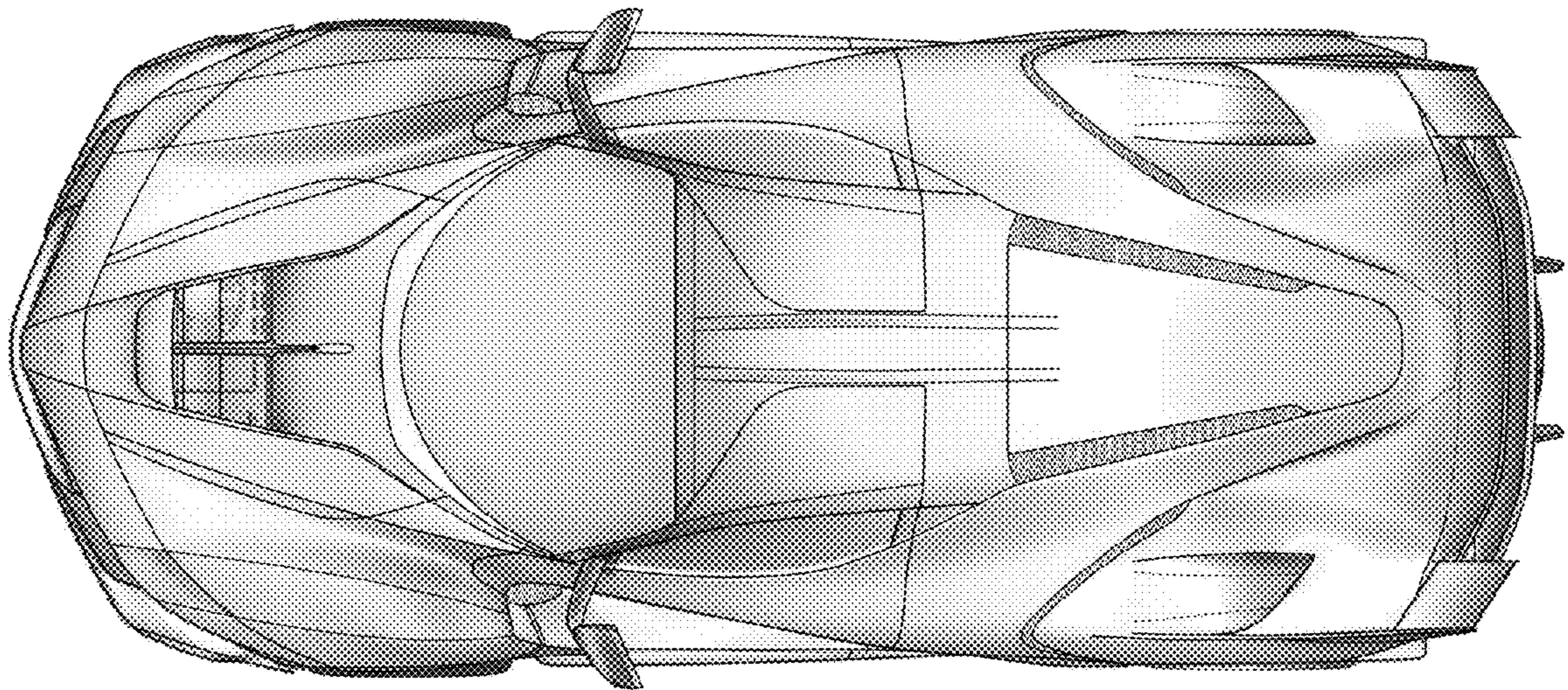
2.4



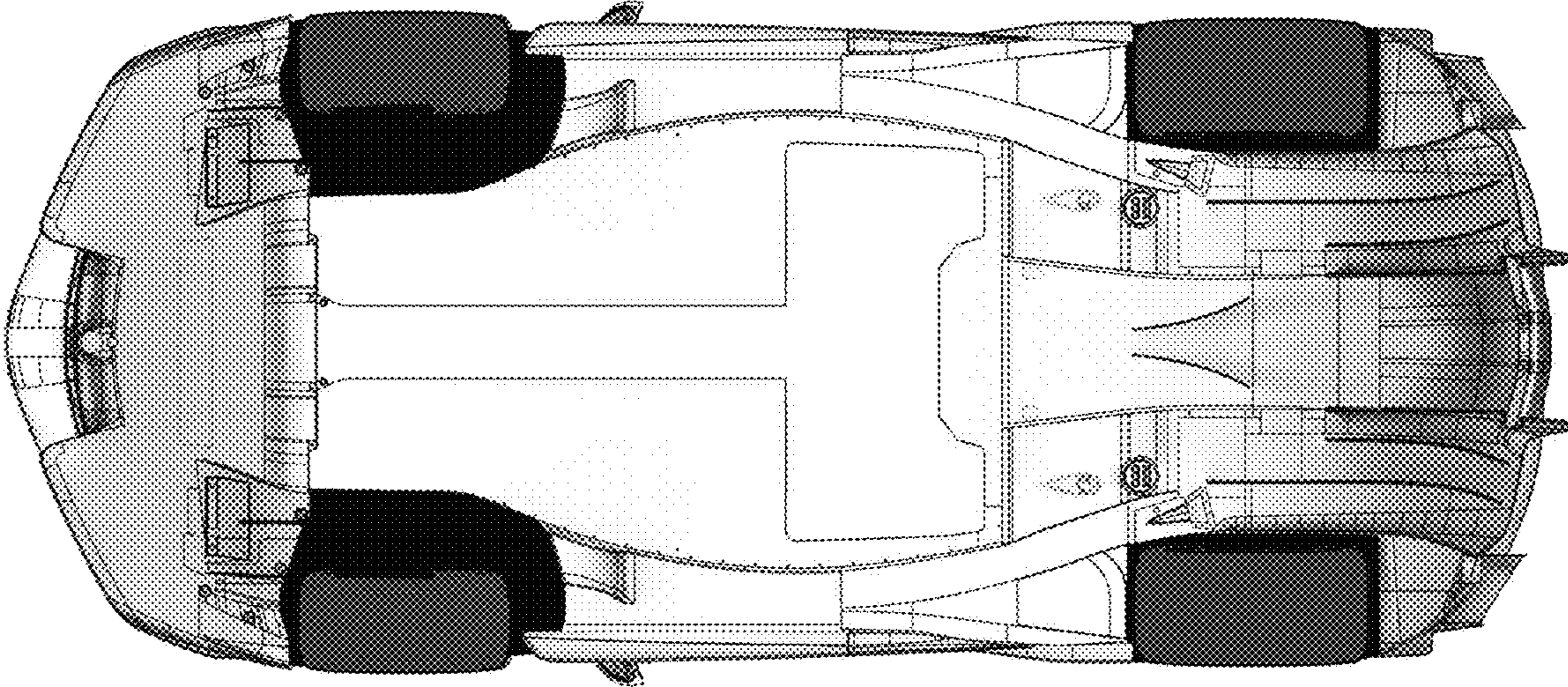
2.5



2.6



2.7





UNITED STATES PATENT AND TRADEMARK OFFICE  
**CERTIFICATE OF CORRECTION**

PATENT NO. : D921,529 S  
APPLICATION NO. : 35/508023  
DATED : June 8, 2021  
INVENTOR(S) : Adalberto Cattabriga et al.

Page 1 of 1

It is certified that error appears in the above-identified patent and that said Letters Patent is hereby corrected as shown below:

On the Title Page

Insert item (30), as follows:

--(30) Foreign Application Priority Data

Sep. 14, 2018 (EM) ..... 005641305--

Signed and Sealed this  
Seventh Day of November, 2023  
*Katherine Kelly Vidal*

Katherine Kelly Vidal  
*Director of the United States Patent and Trademark Office*