



US00D921528S

(12) **United States Design Patent**  
**Ruan et al.**

(10) **Patent No.:** **US D921,528 S**  
(45) **Date of Patent:** **\*\* Jun. 8, 2021**

(54) **DECORATION ACCESSORY KIT**

(71) Applicant: **ADVANCED NEW TECHNOLOGIES CO., LTD.**, Grand Cayman (KY)

(72) Inventors: **Songyi Ruan**, Hangzhou (CN); **Yuanyi Ye**, Hangzhou (CN)

(73) Assignee: **ADVANCED NEW TECHNOLOGIES CO., LTD.**, Grand Cayman (KY)

(\*\*) Term: **15 Years**

(21) Appl. No.: **29/713,277**

(22) Filed: **Nov. 14, 2019**

(30) **Foreign Application Priority Data**

May 16, 2019 (CN) ..... 201930237987.2

(51) **LOC (13) Cl.** ..... **11-02**

(52) **U.S. Cl.**  
USPC ..... **D11/160; D11/158; D21/622; D21/630**

(58) **Field of Classification Search**  
USPC ..... **D11/133, 134, 136, 157, 158, 160; D21/576, 594, 622, 630, 633**  
(Continued)

(56) **References Cited**

**U.S. PATENT DOCUMENTS**

D402,714 S \* 12/1998 Angelora ..... D21/622  
D428,082 S \* 7/2000 Cutillo ..... D21/622  
(Continued)

*Primary Examiner* — W. A. Teddy Falloway

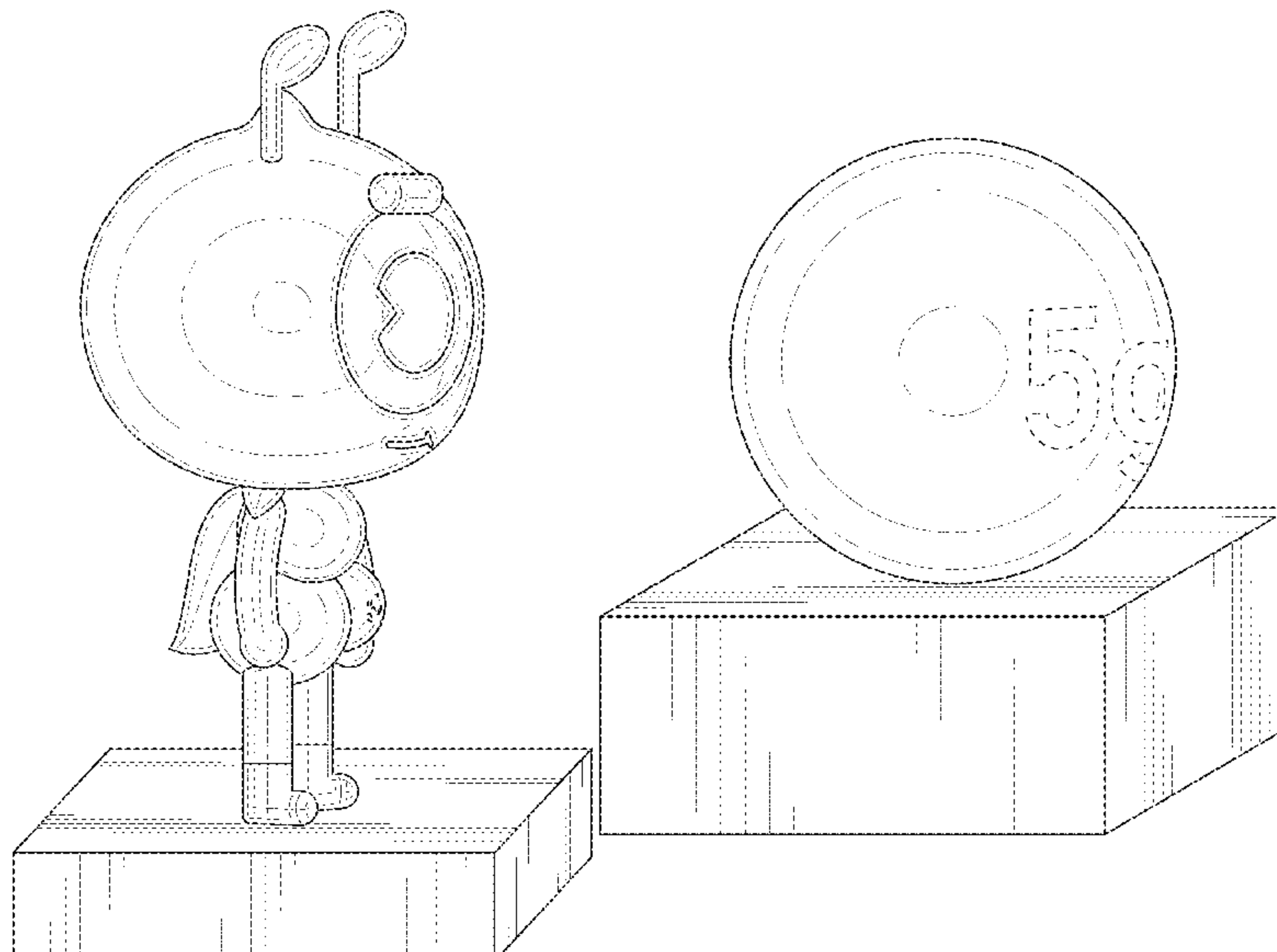
(57) **CLAIM**

The ornamental design for a decoration accessory kit, as shown and described.

**DESCRIPTION**

FIG. 1 is a front view showing a first article of the decoration accessory kit;  
FIG. 2 is a rear view thereof;  
FIG. 3 is a left-side view thereof;  
FIG. 4 is a right-side view thereof;  
FIG. 5 is a top view thereof;  
FIG. 6 is a bottom view thereof;  
FIG. 7 is a front perspective view thereof;  
FIG. 8 is a front view showing a second article of the decoration accessory kit;  
FIG. 9 is a rear view thereof;  
FIG. 10 is a left-side view thereof;  
FIG. 11 is a right-side view thereof;  
FIG. 12 is a top view thereof;  
FIG. 13 is a bottom view thereof;  
FIG. 14 is a front perspective view thereof;  
FIG. 15 is a front view showing a third article of the decoration accessory kit;  
FIG. 16 is a rear view thereof;  
FIG. 17 is a left-side view thereof;  
FIG. 18 is a right-side view thereof;  
FIG. 19 is a top view thereof;  
FIG. 20 is a bottom view thereof;  
FIG. 21 is a front perspective view thereof;  
FIG. 22 is a front view showing a fourth article of the decoration accessory kit;  
FIG. 23 is a rear view thereof;  
FIG. 24 is a left-side view thereof;  
FIG. 25 is a right-side view thereof;  
FIG. 26 is a top view thereof;  
FIG. 27 is a bottom view thereof; and  
FIG. 28 is a front perspective view thereof.  
The decoration accessory kit includes a set of four articles. The broken lines in FIGS. 1-28 illustrate portions of the decoration accessory kit that are not part of the claimed design. Any shading and cross-hatching are not features of the design but are utilized to illustrate the surface contours of the decoration accessory kit.

**1 Claim, 28 Drawing Sheets**



(58) **Field of Classification Search**

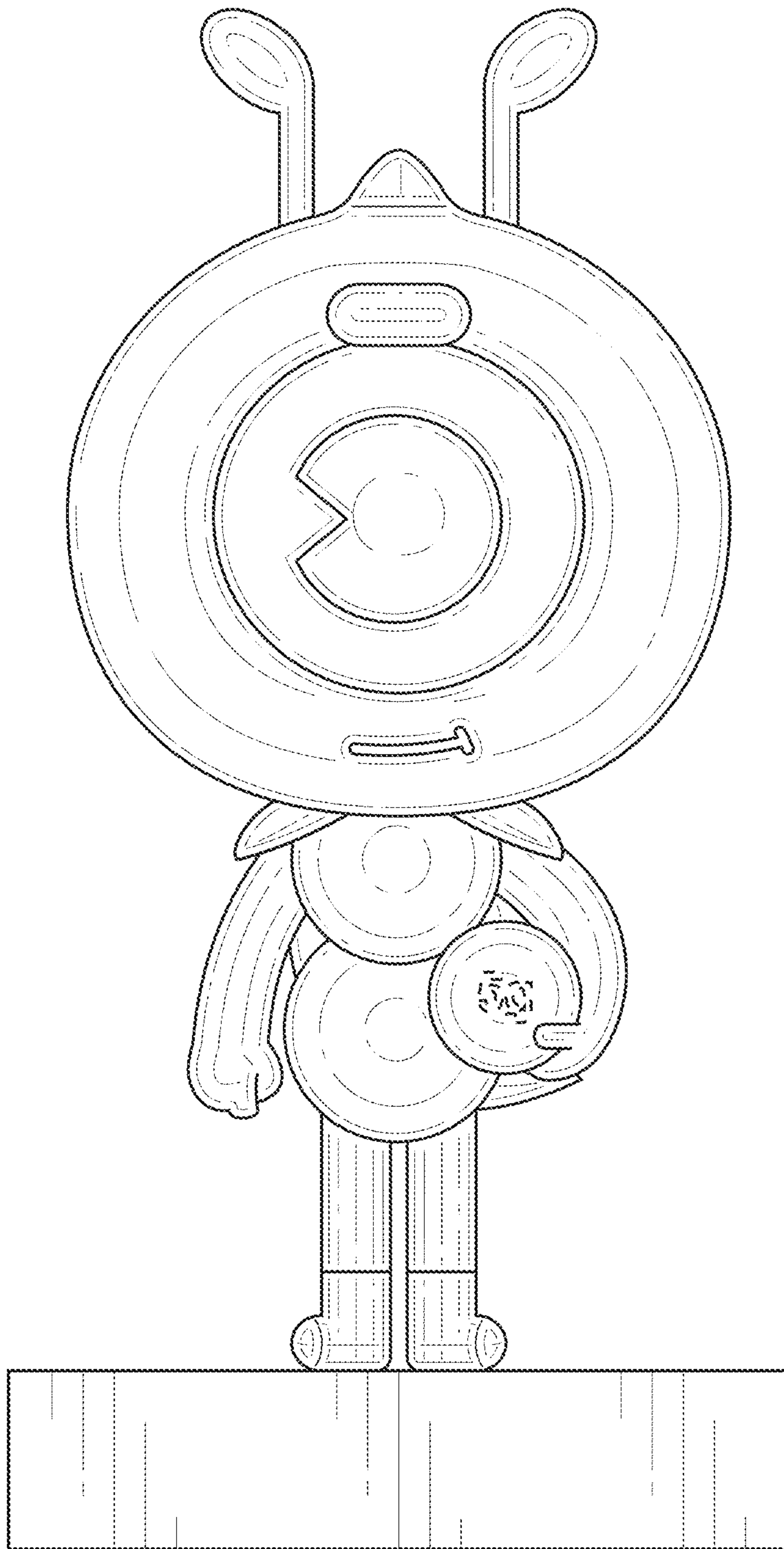
CPC ..... A63H 3/00  
See application file for complete search history.

(56) **References Cited**

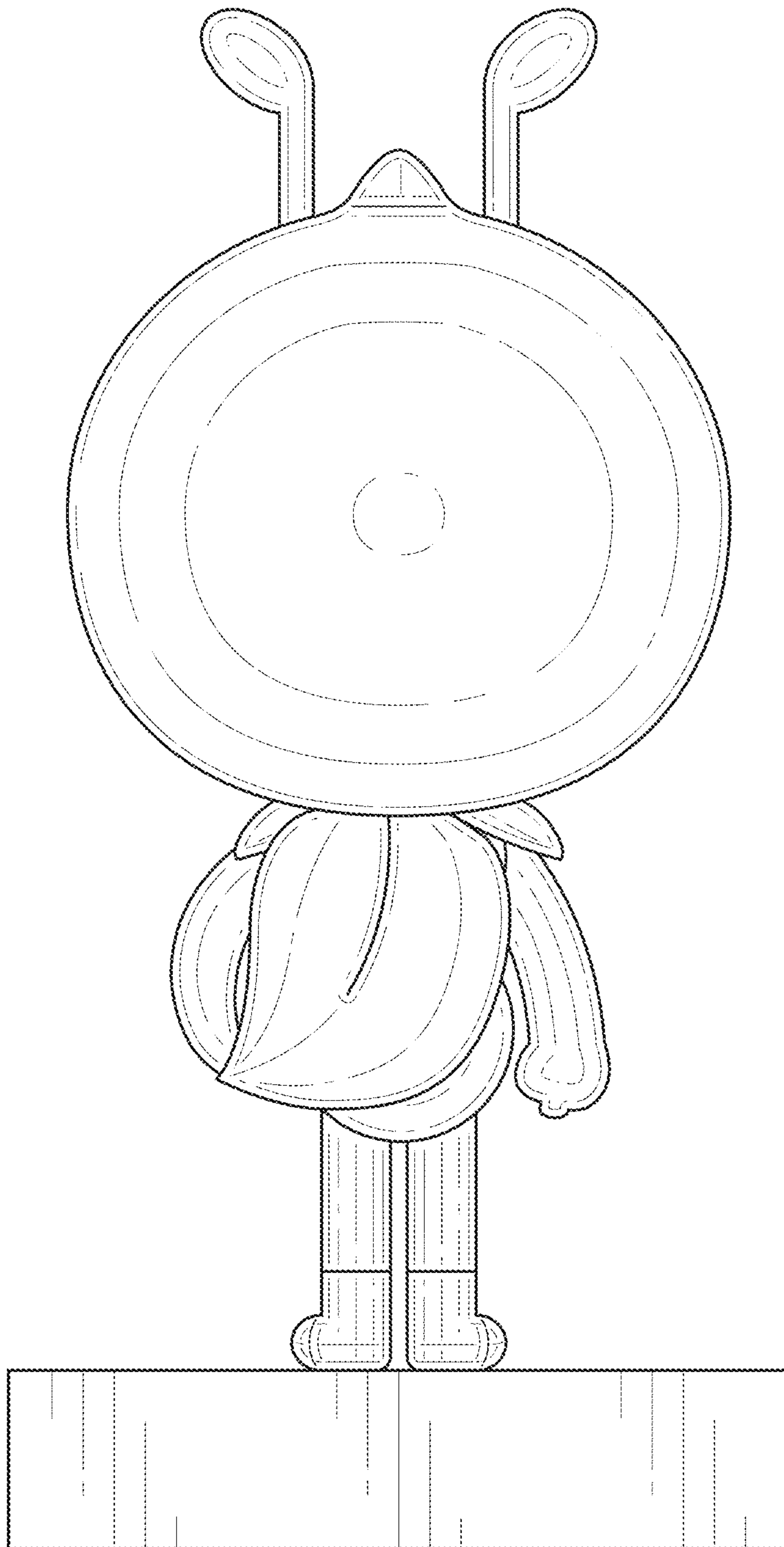
U.S. PATENT DOCUMENTS

D444,514 S *	7/2001	Jenkins .....	D21/577
D490,747 S *	6/2004	Banman .....	D11/160
D503,212 S *	3/2005	Peloquin .....	D21/622
D599,563 S *	9/2009	Chu .....	D14/371
D606,132 S *	12/2009	Ventriglia .....	D21/622
D635,884 S *	4/2011	Deruelles .....	D11/82
D649,175 S *	11/2011	Willis .....	D16/242
D715,385 S *	10/2014	Gonzalez Jusino .....	A63H 3/00
			D21/659
D765,191 S *	8/2016	March .....	D21/576
D780,271 S *	2/2017	Liu .....	D21/659
D795,363 S *	8/2017	Utsumi .....	D21/578
D863,453 S *	10/2019	Xu .....	D21/401
D890,864 S *	7/2020	Na .....	D21/630
D898,610 S *	10/2020	Laahne .....	D11/158
D913,380 S *	3/2021	Xiao .....	D21/630

\* cited by examiner

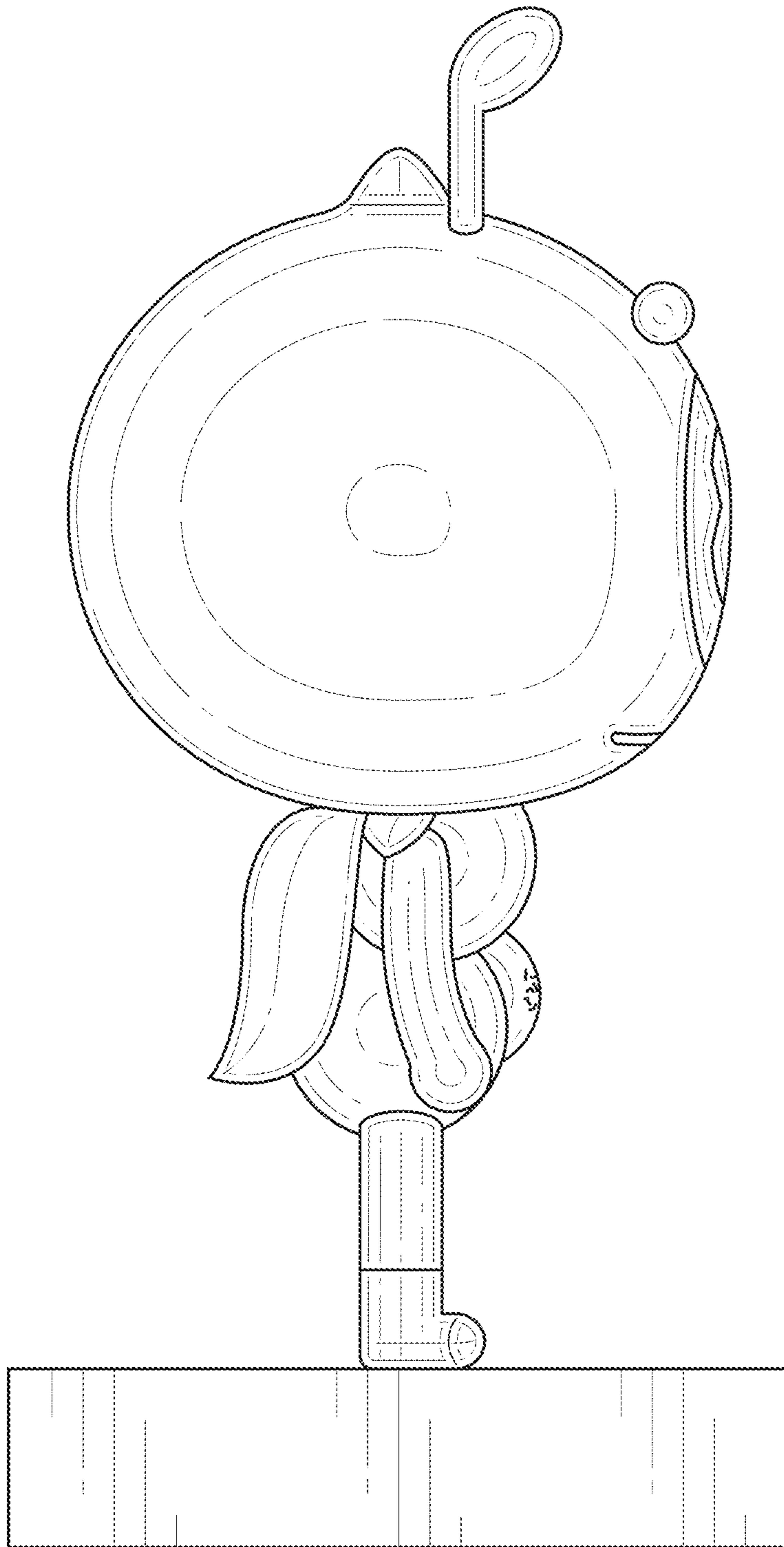


**FIG. 1**

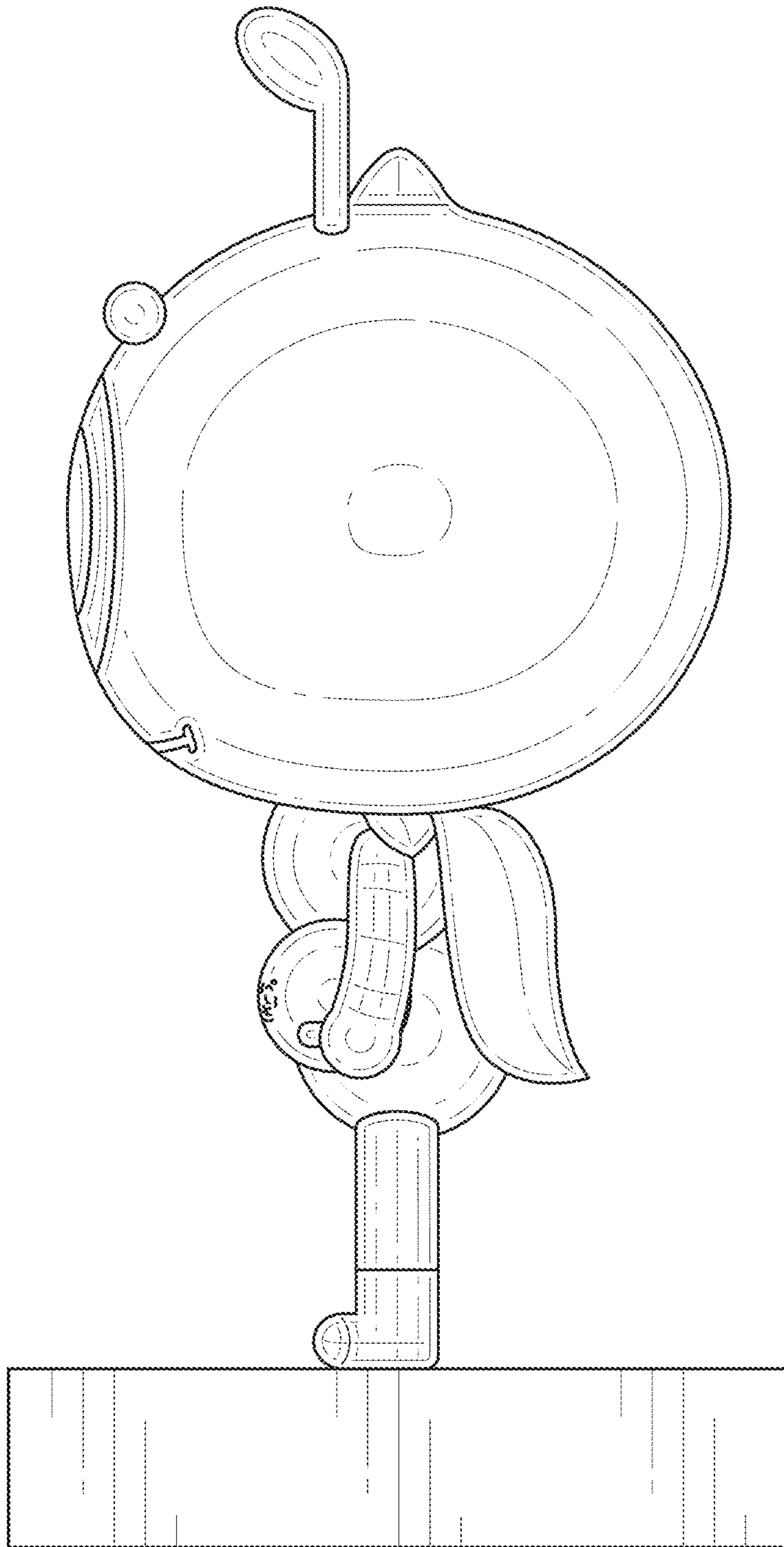


**FIG. 2**

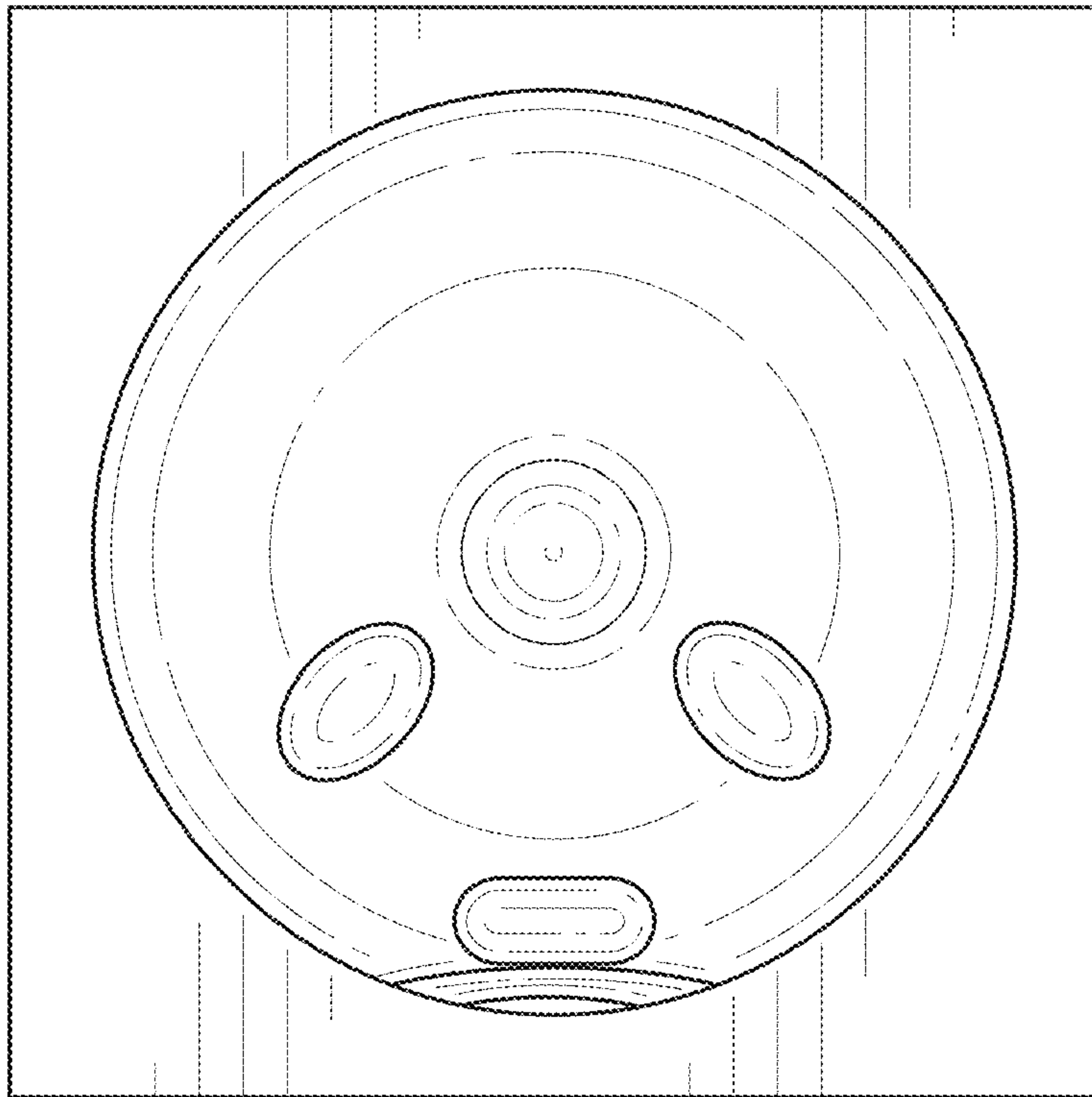




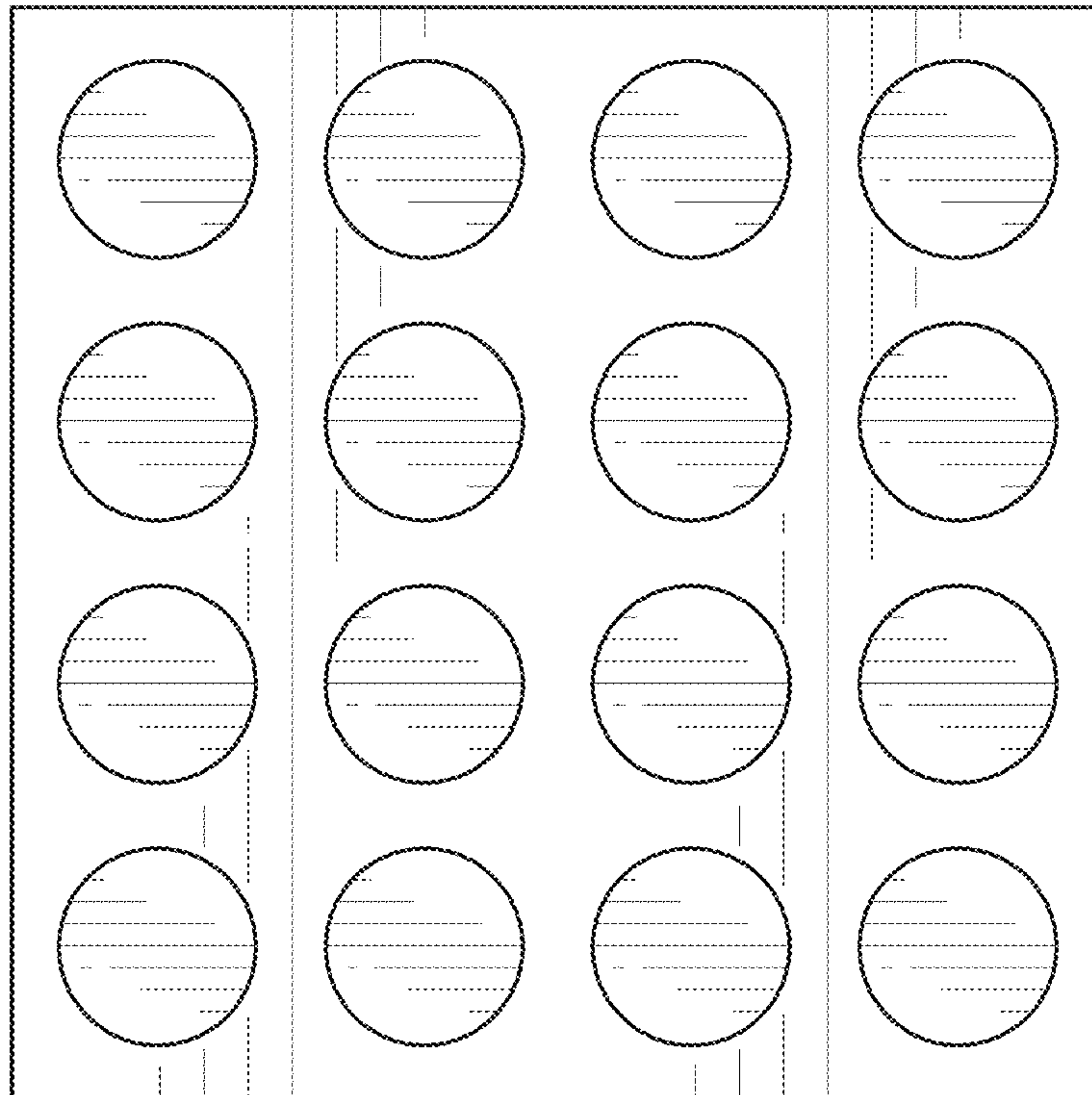
**FIG. 3**



**FIG. 4**

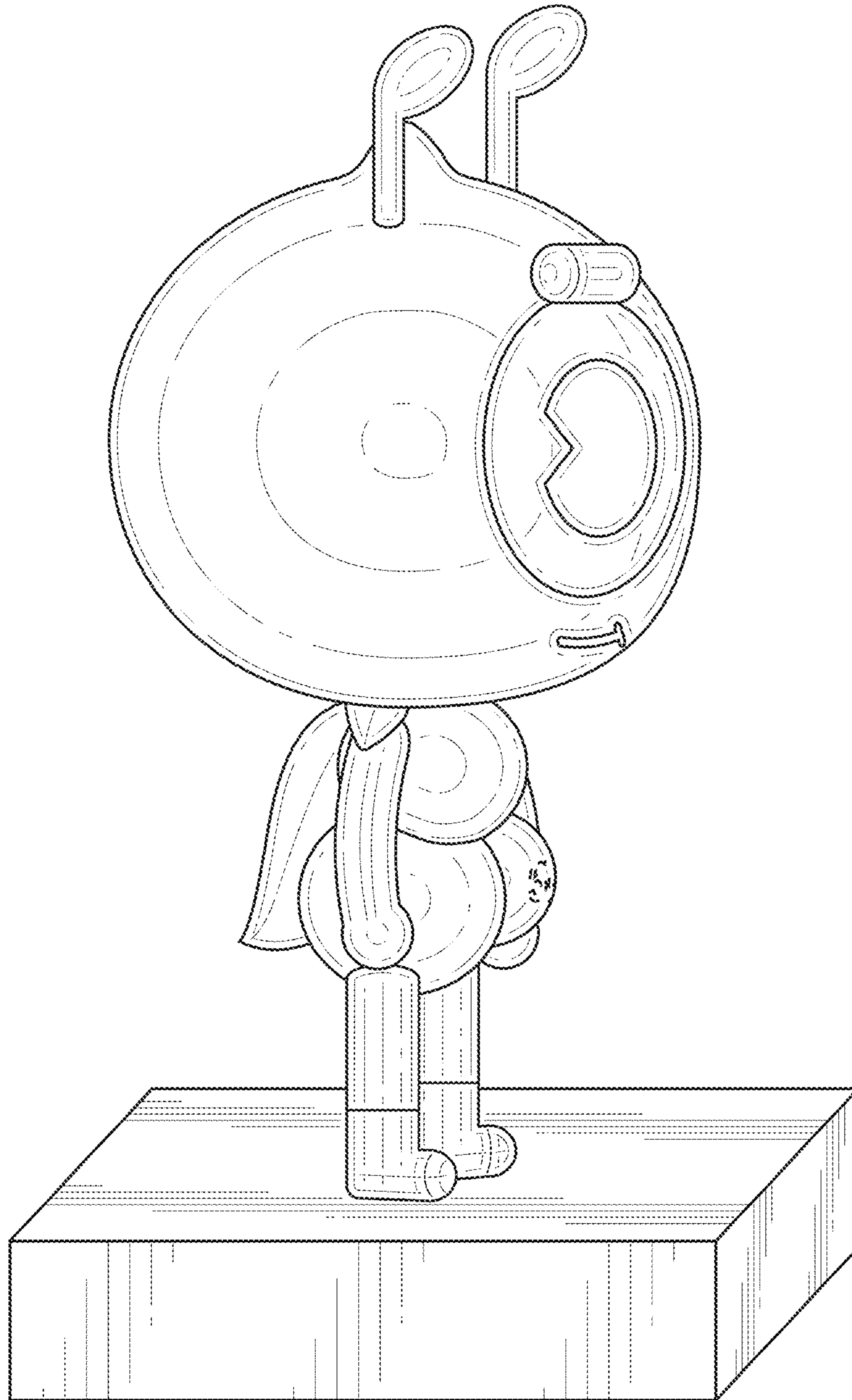


**FIG. 5**

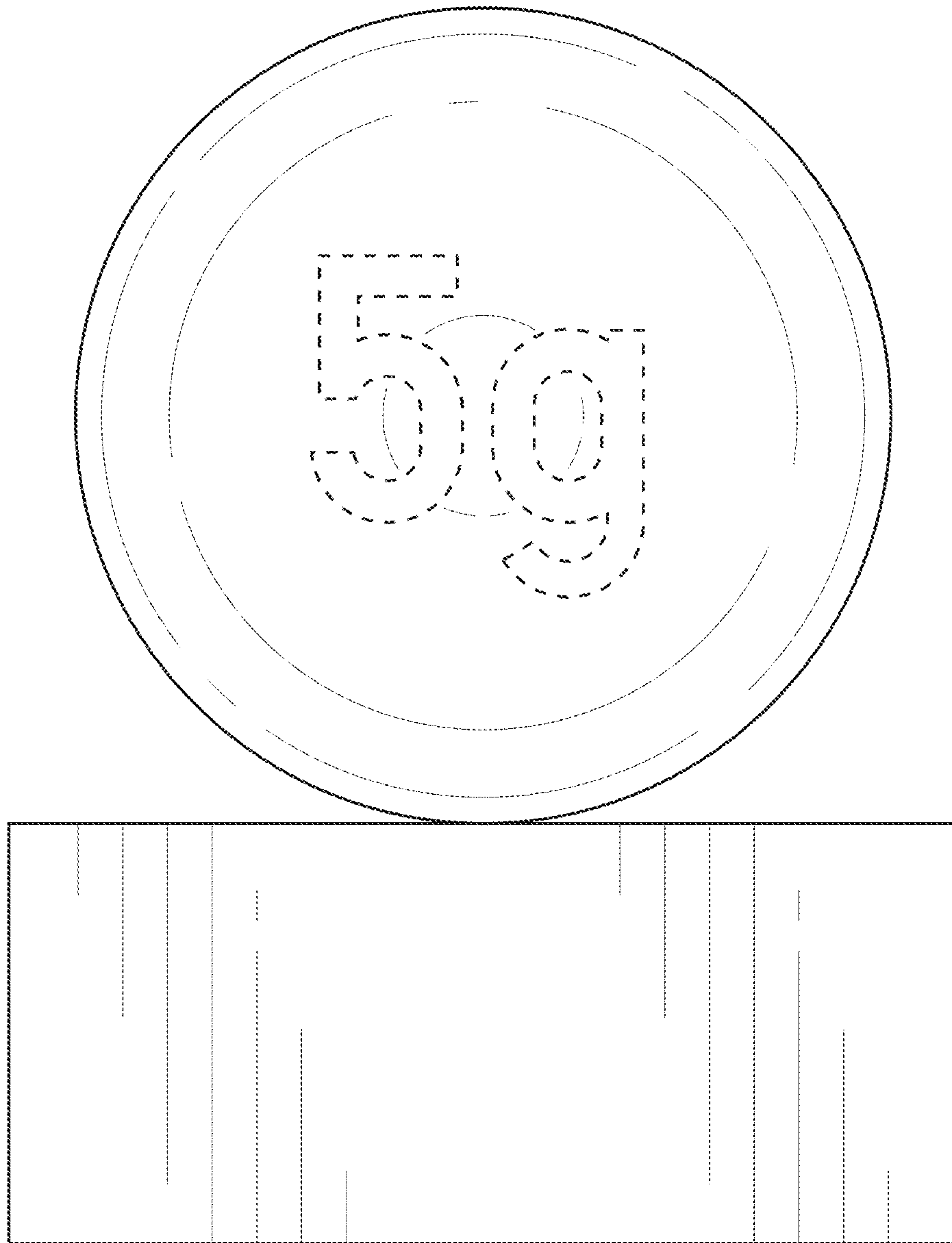


**FIG. 6**

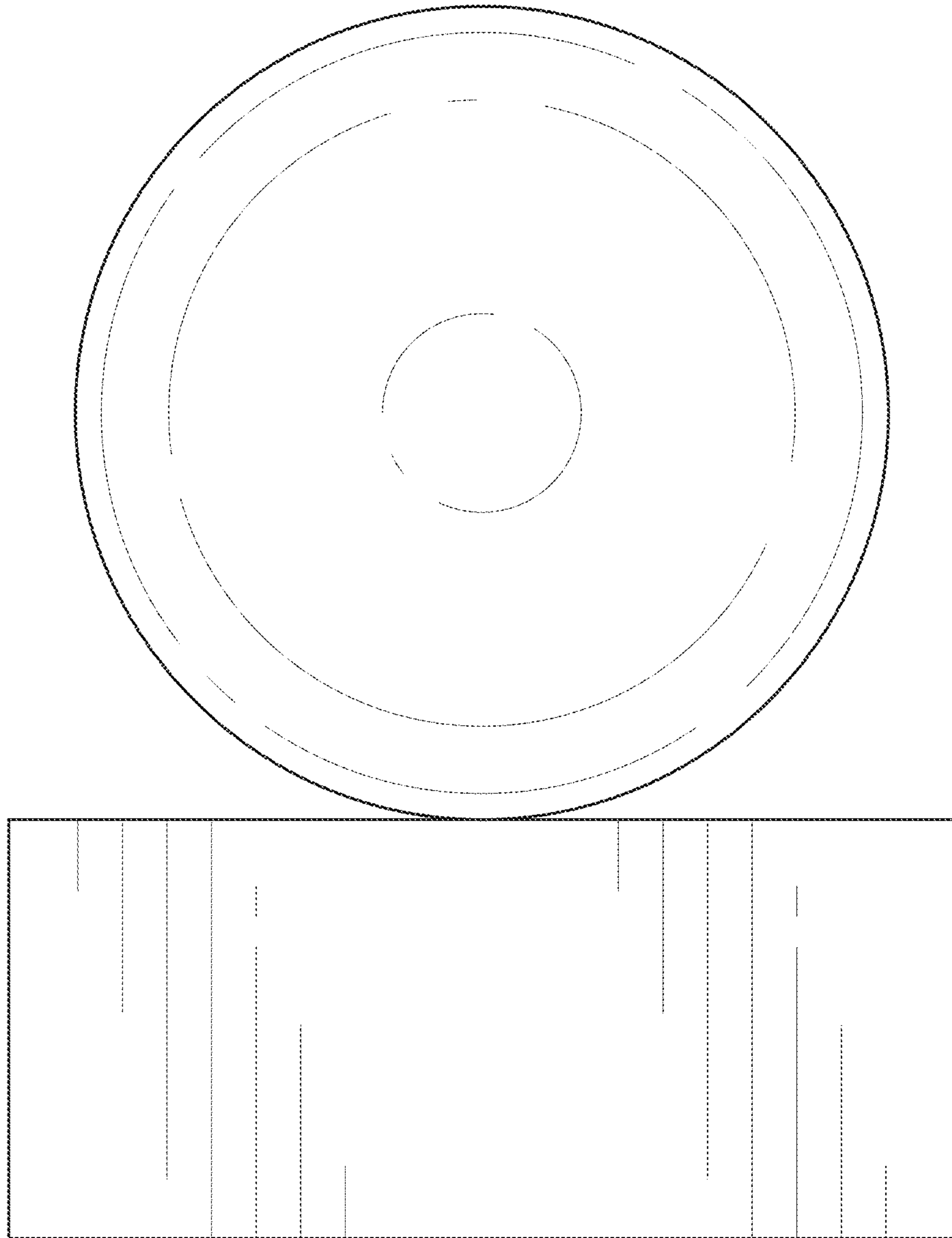




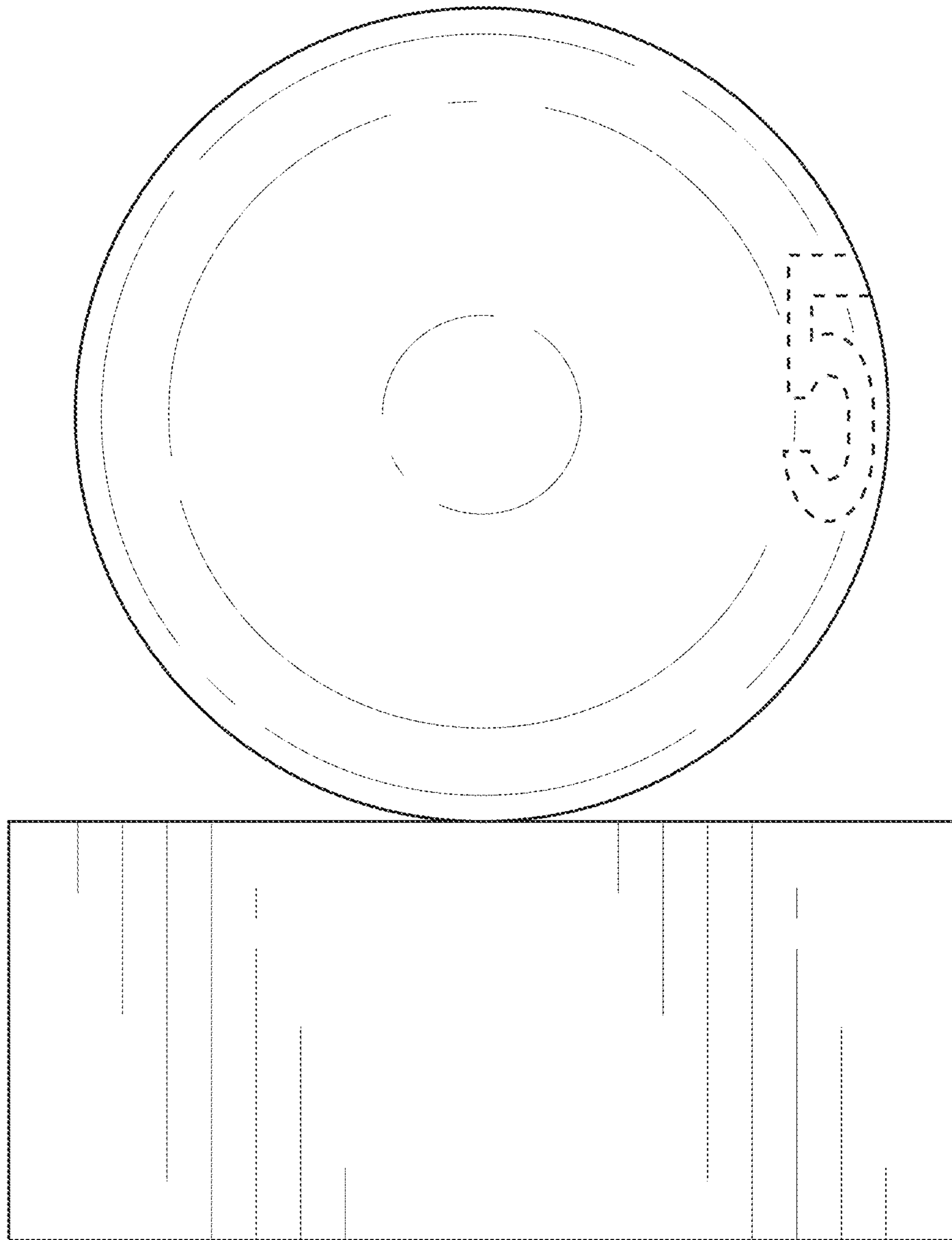
**FIG. 7**



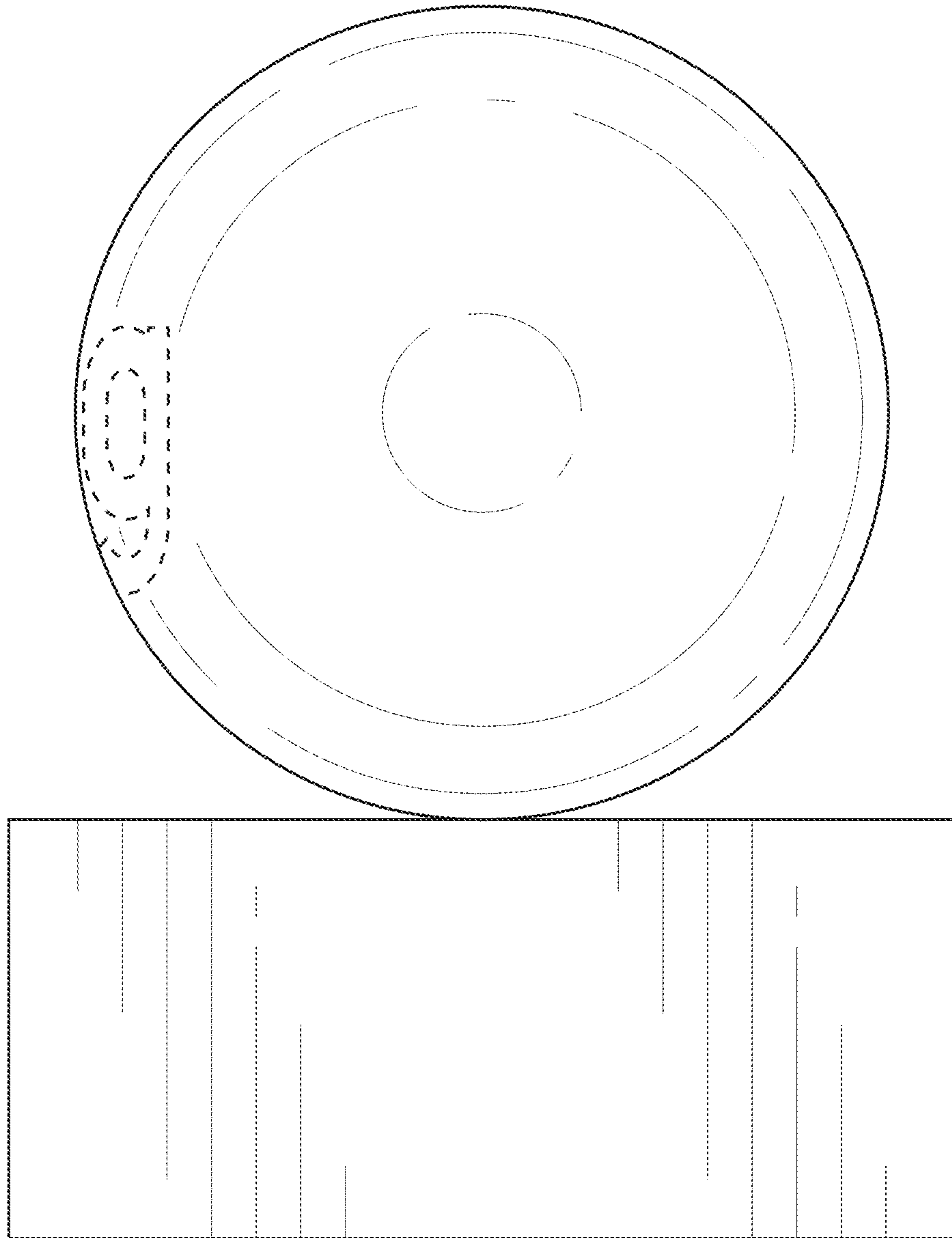
**FIG. 8**



**FIG. 9**

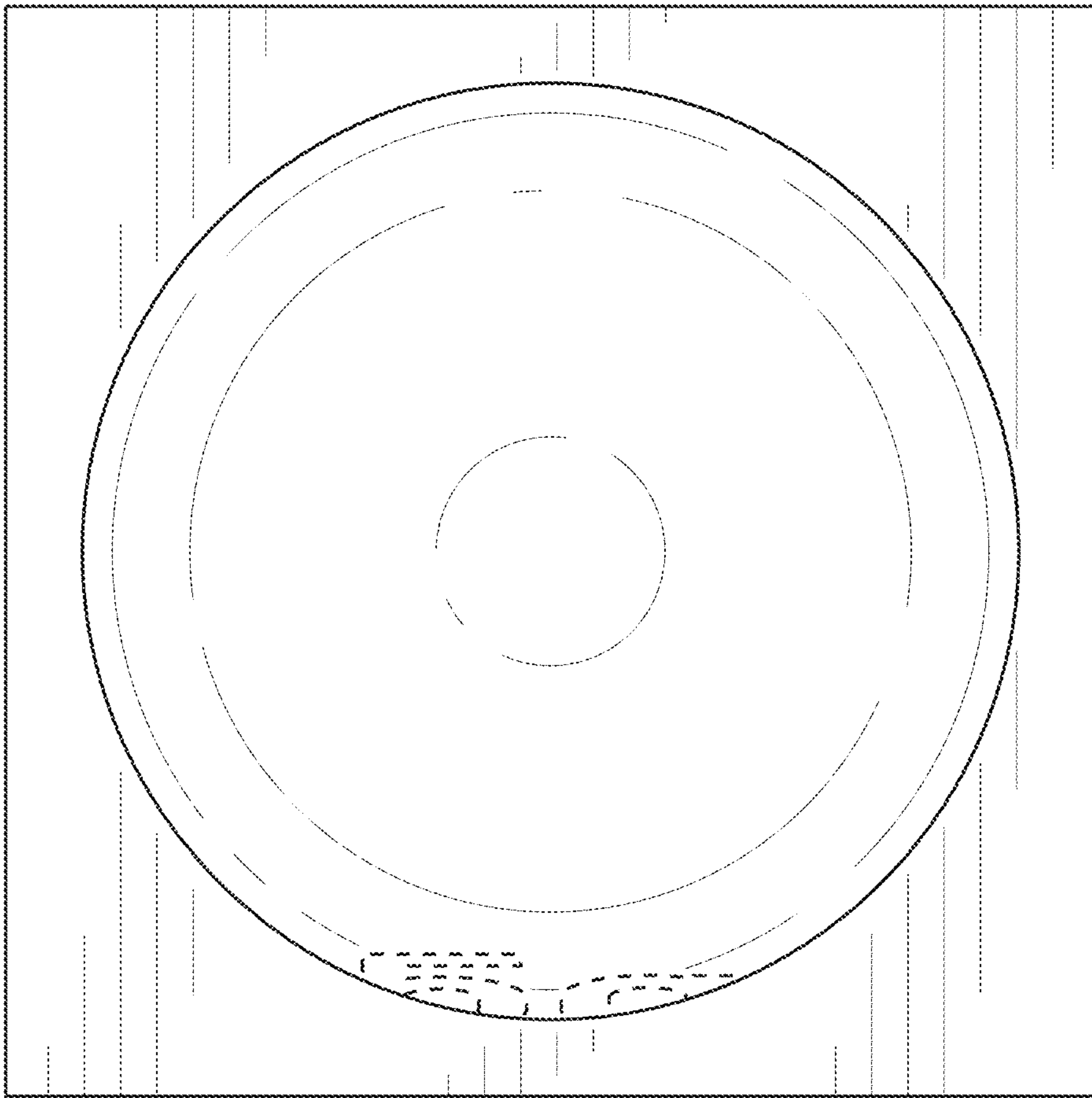


**FIG. 10**

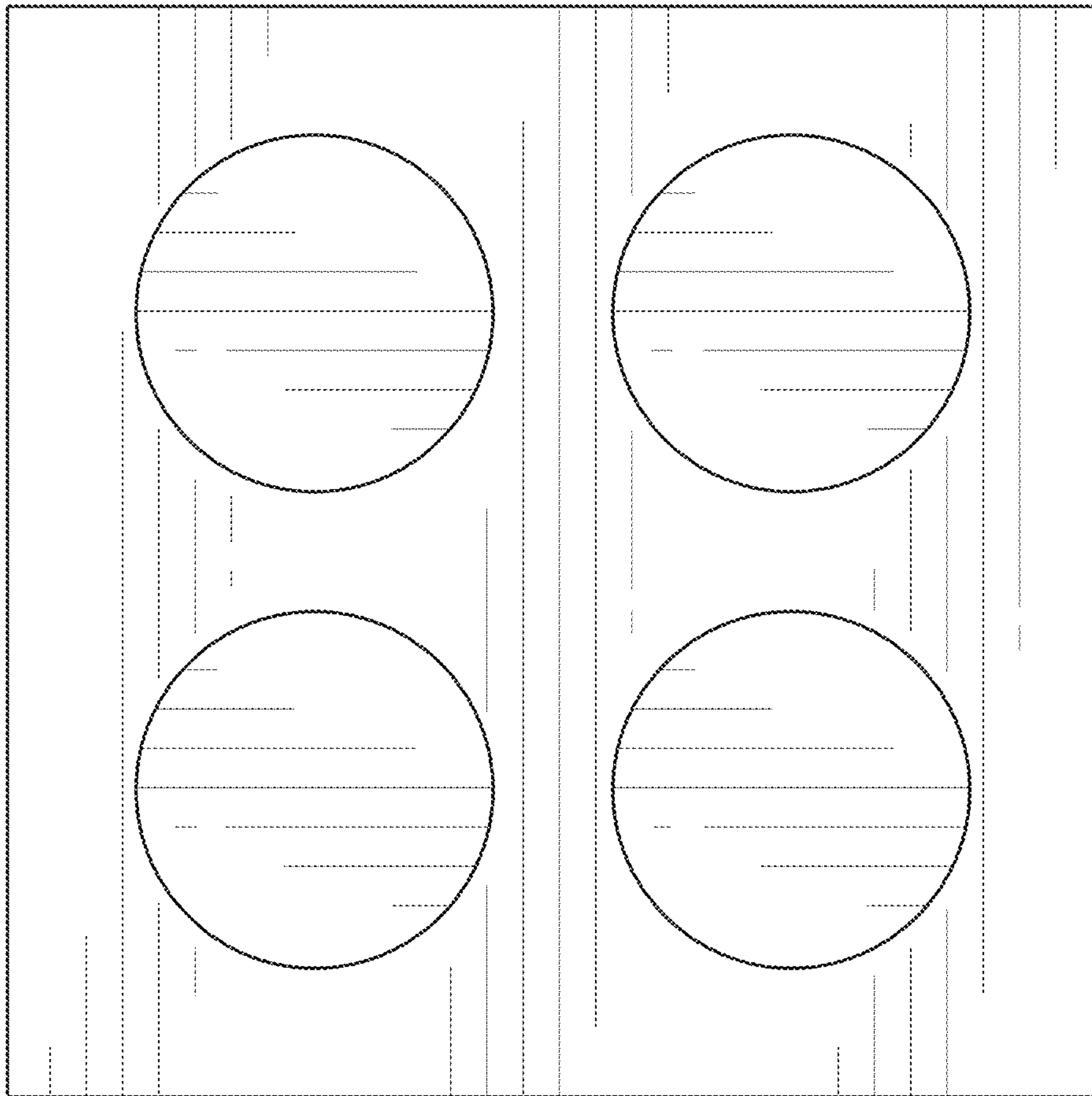


**FIG. 11**

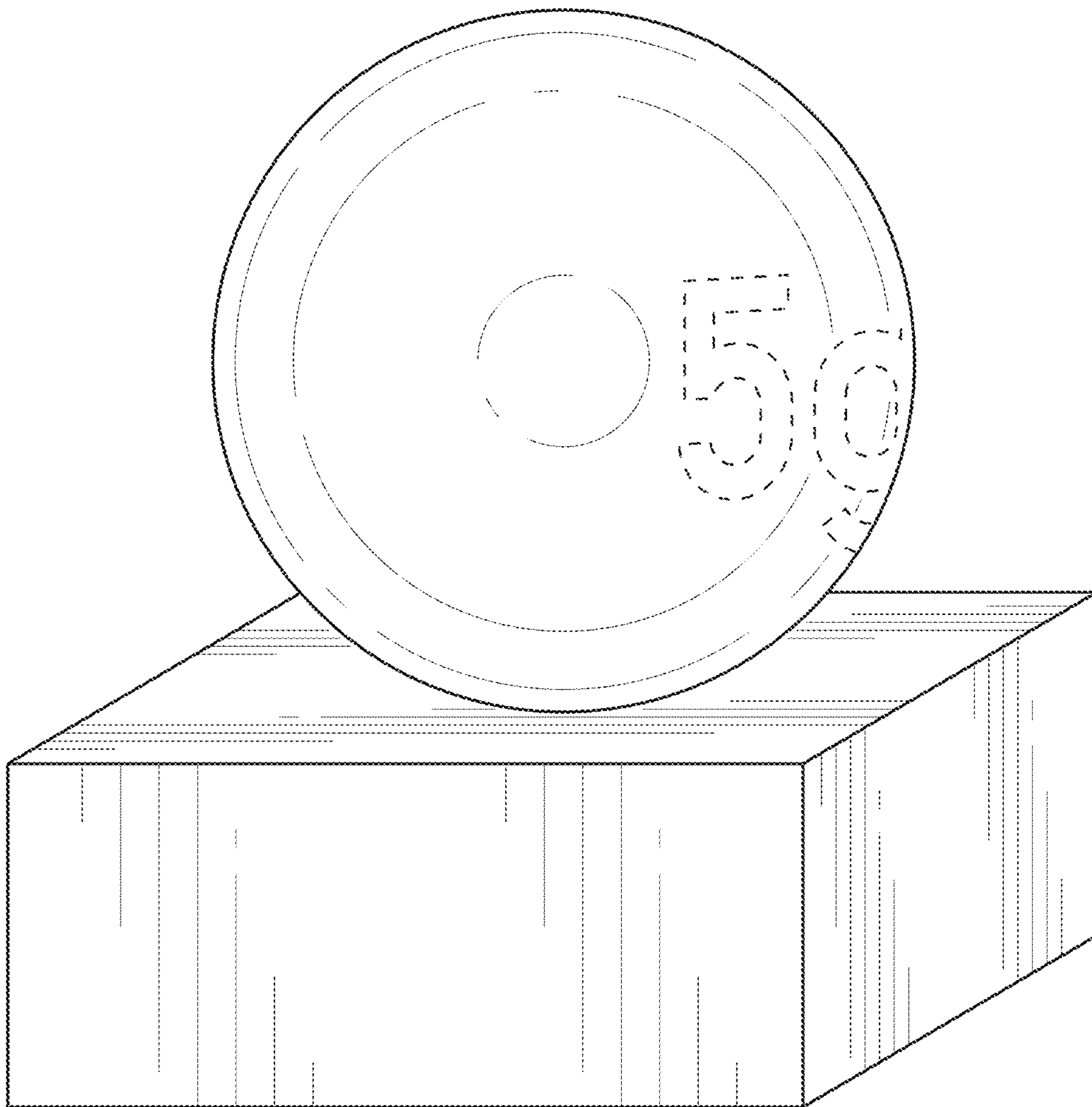




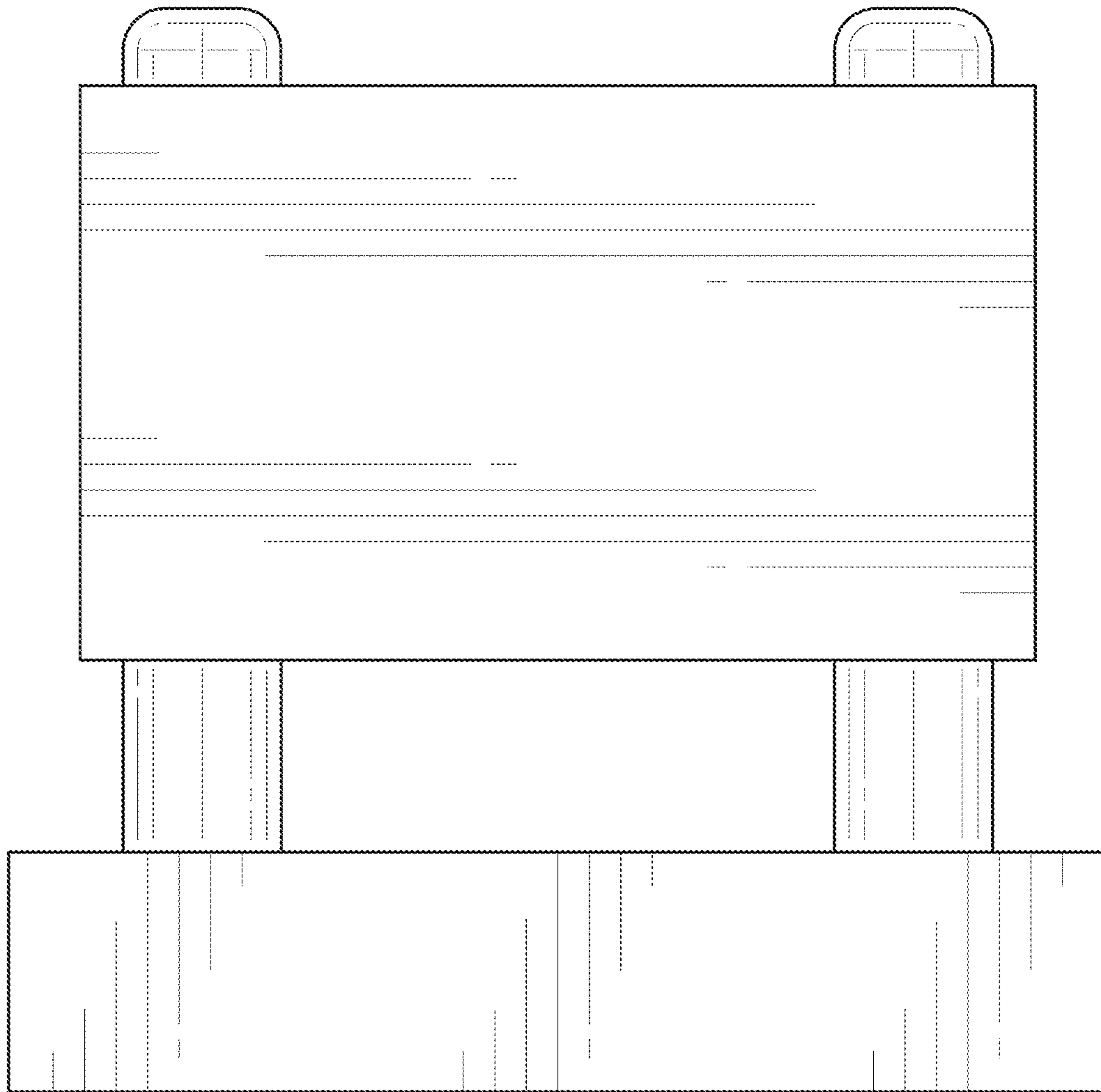
**FIG. 12**



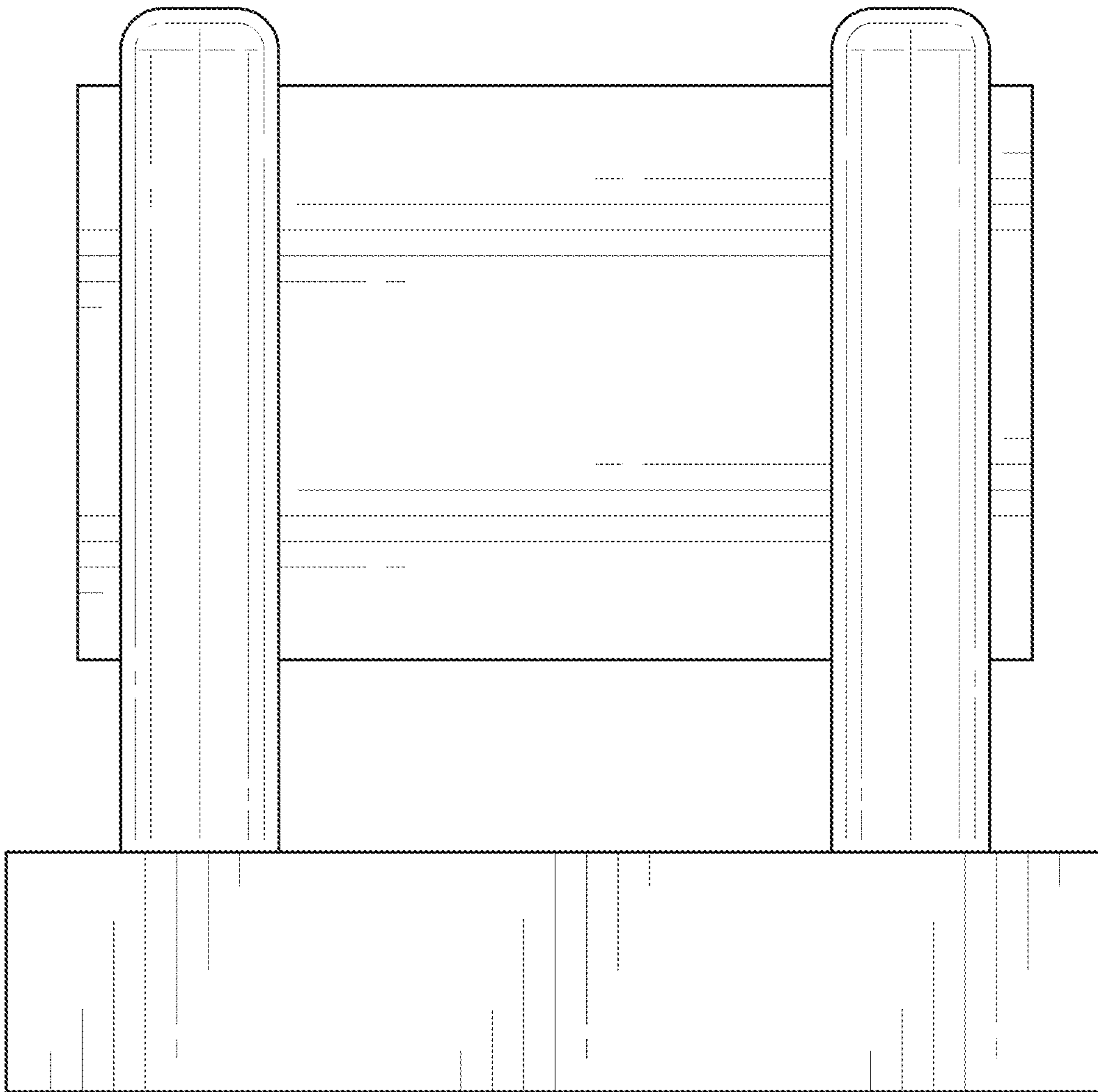
**FIG. 13**



**FIG. 14**

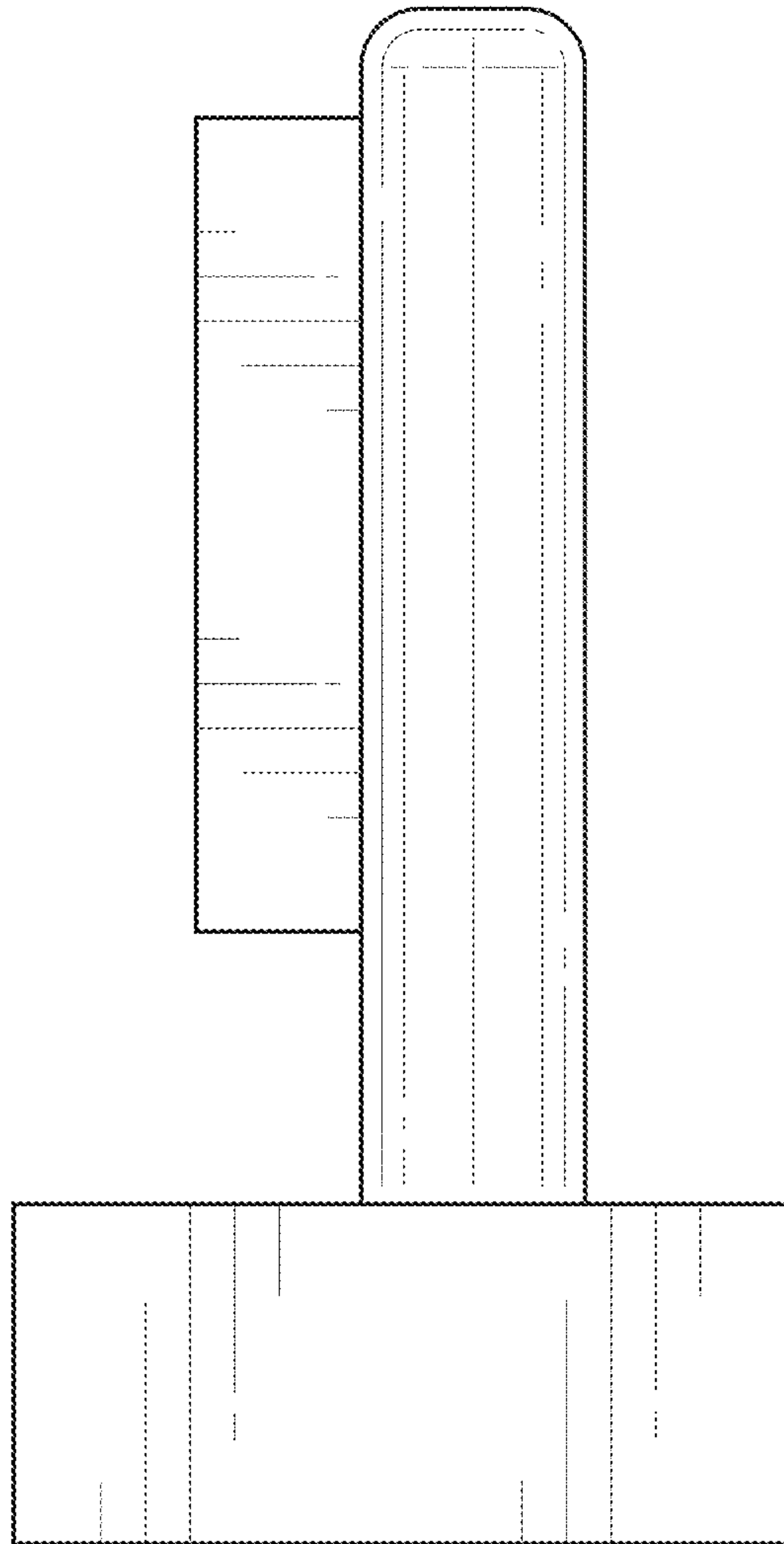


**FIG. 15**

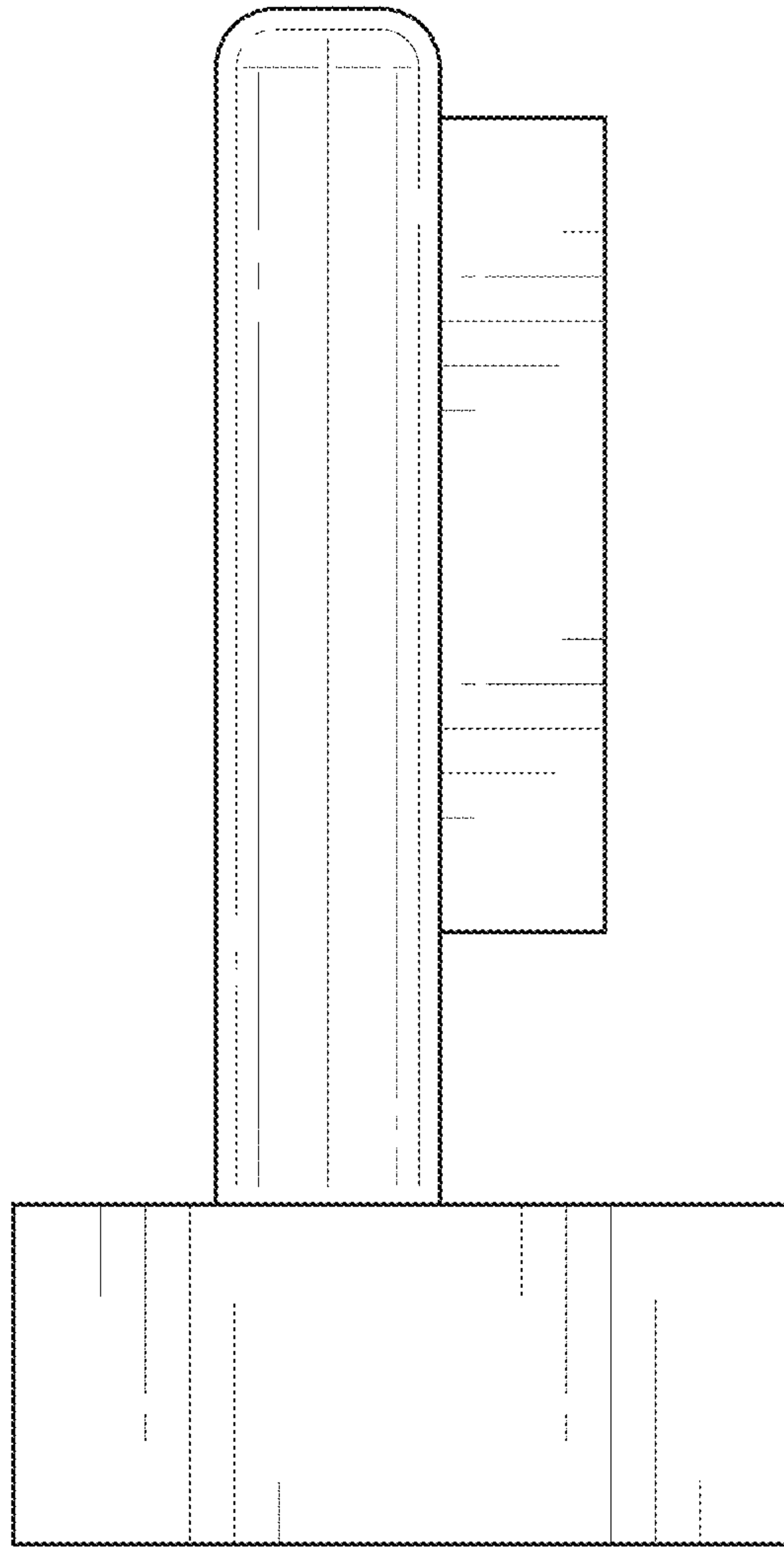


**FIG. 16**

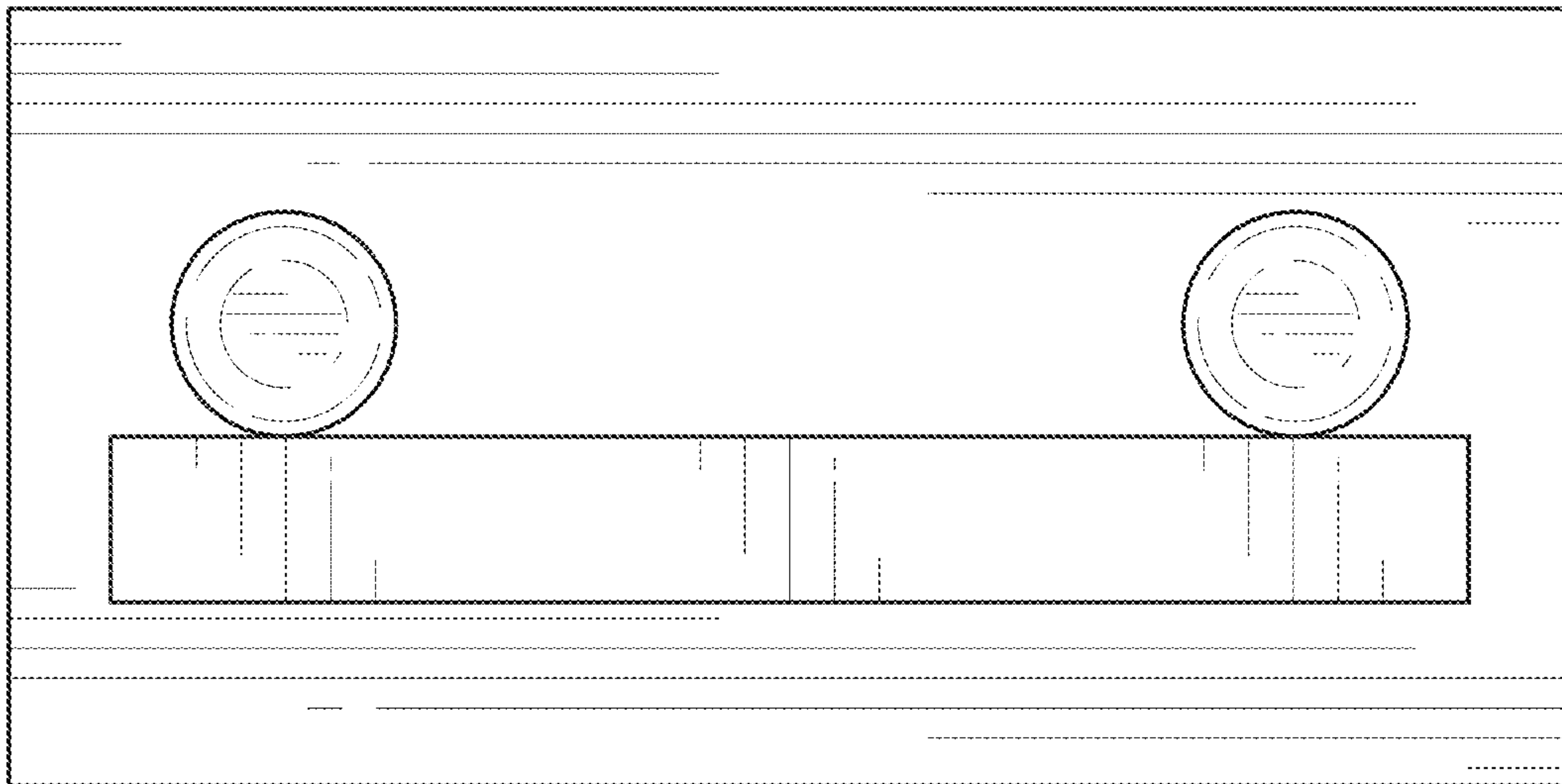




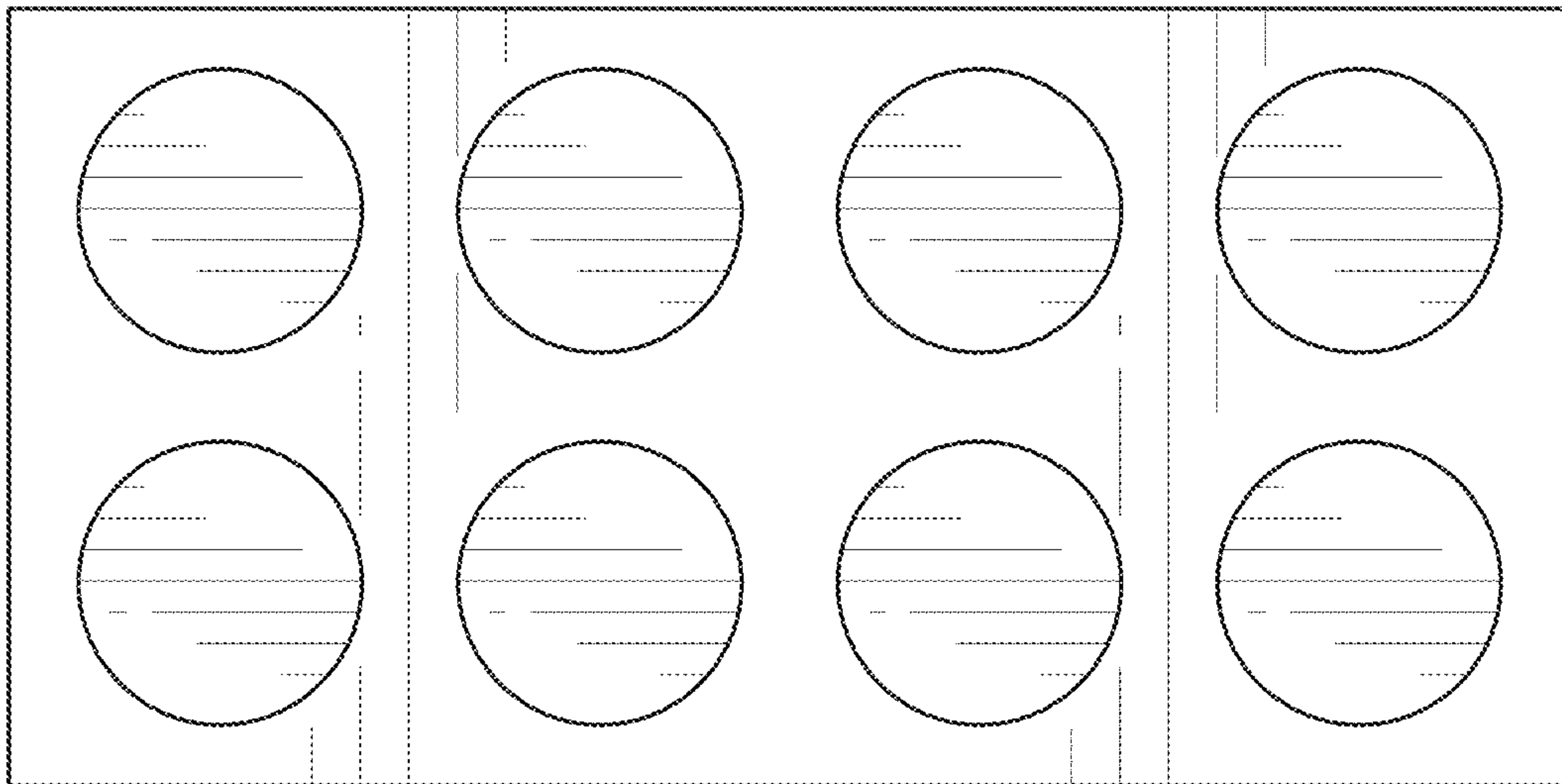
**FIG. 17**



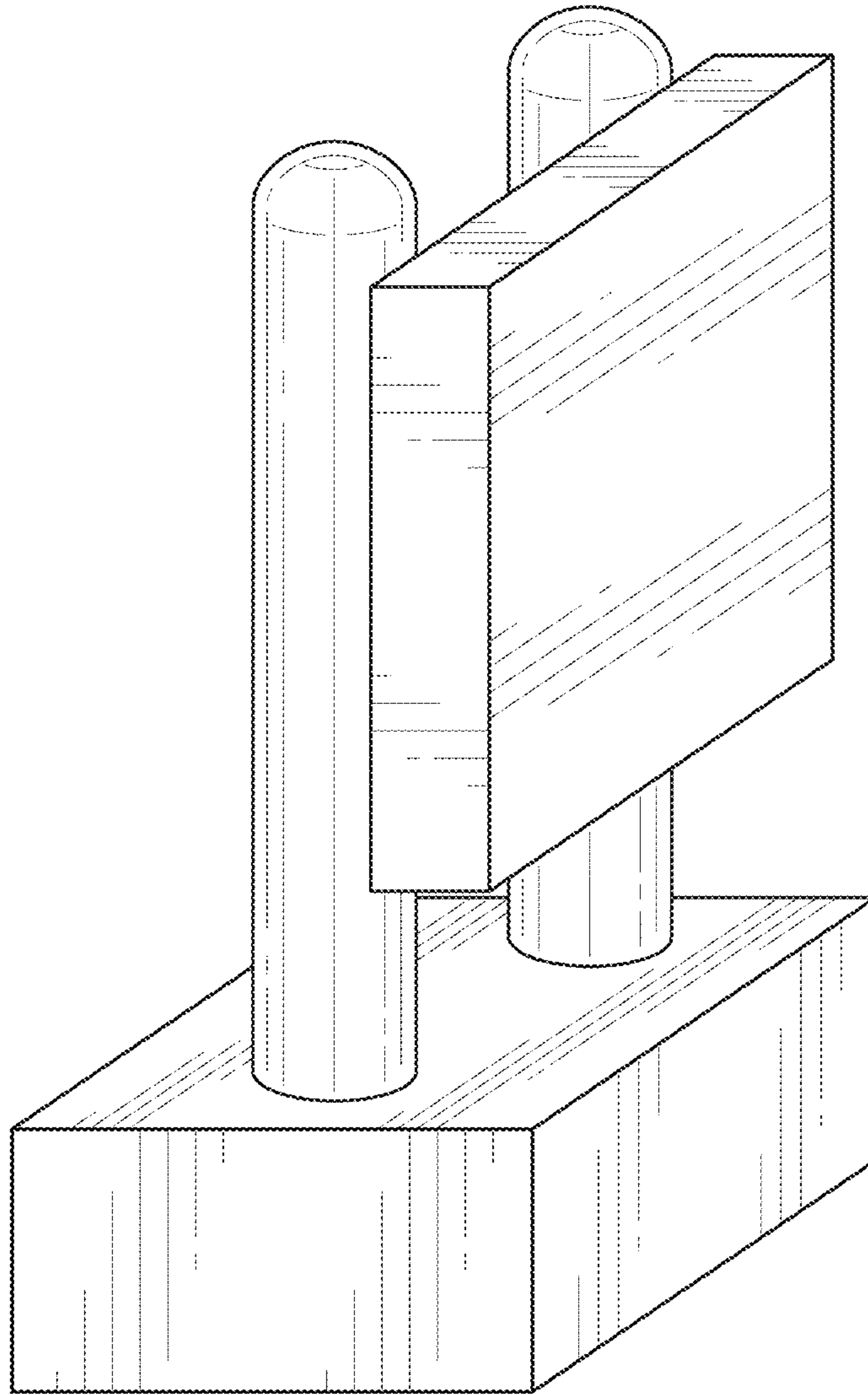
**FIG. 18**



**FIG. 19**

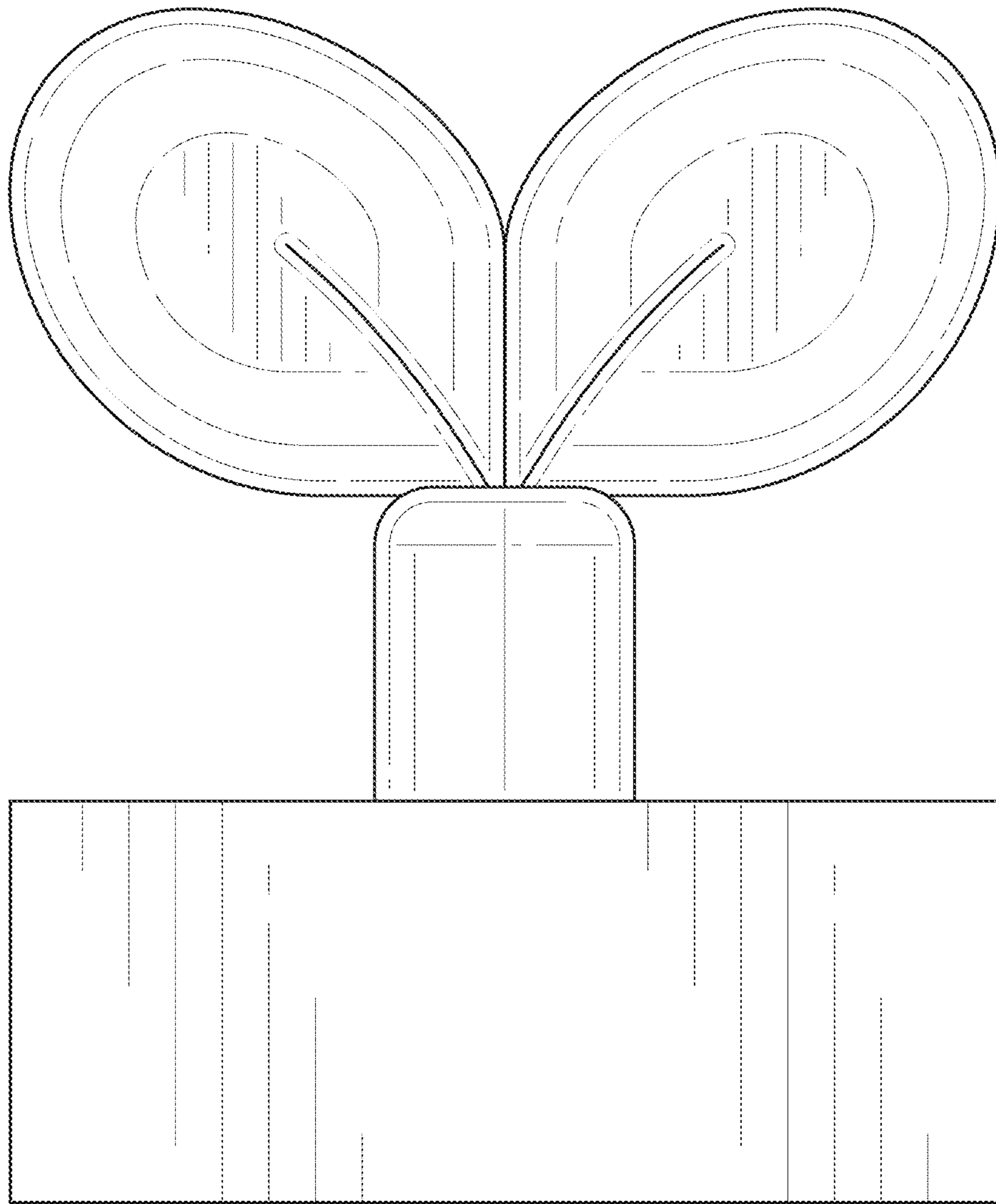


**FIG. 20**

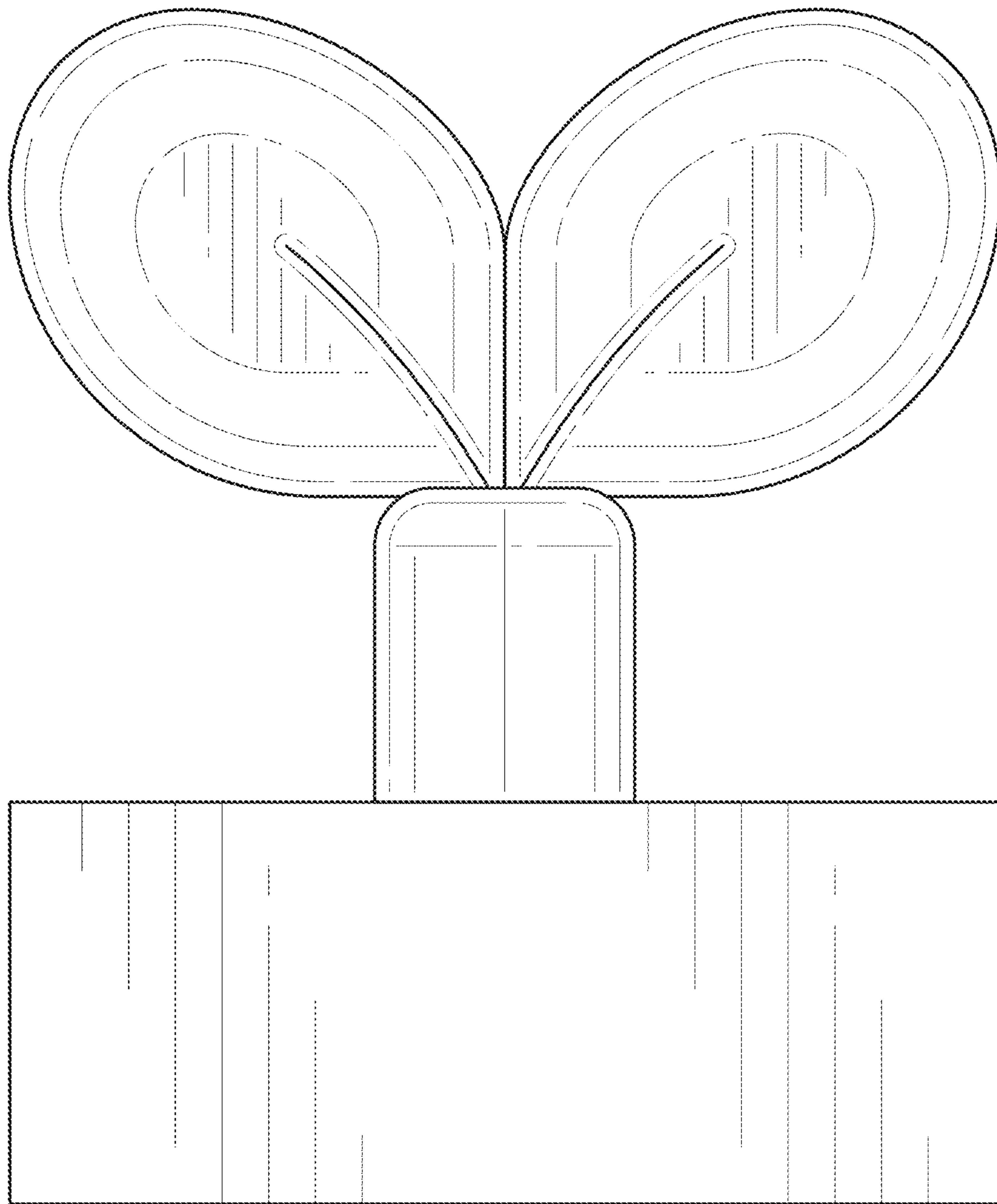


**FIG. 21**

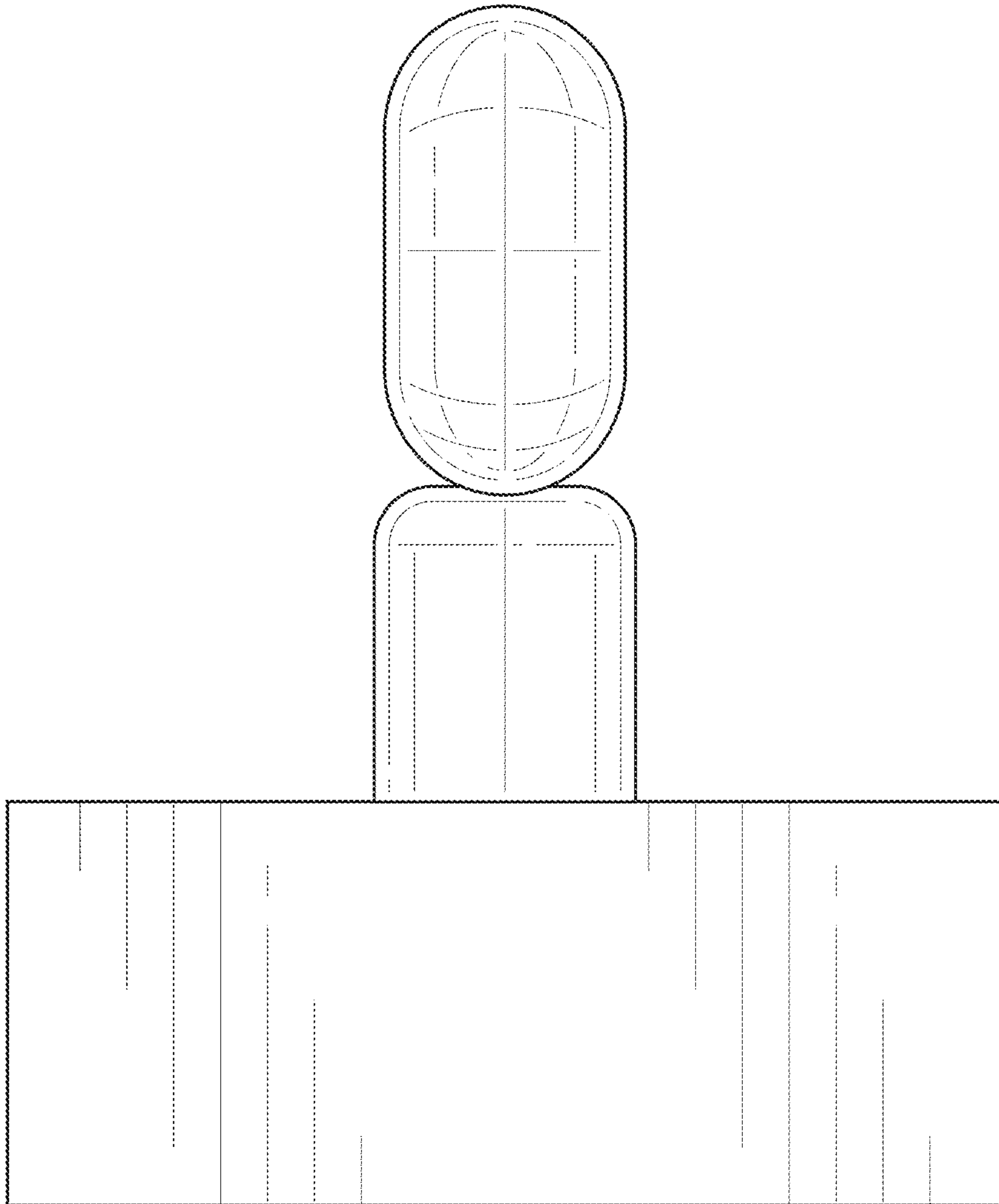




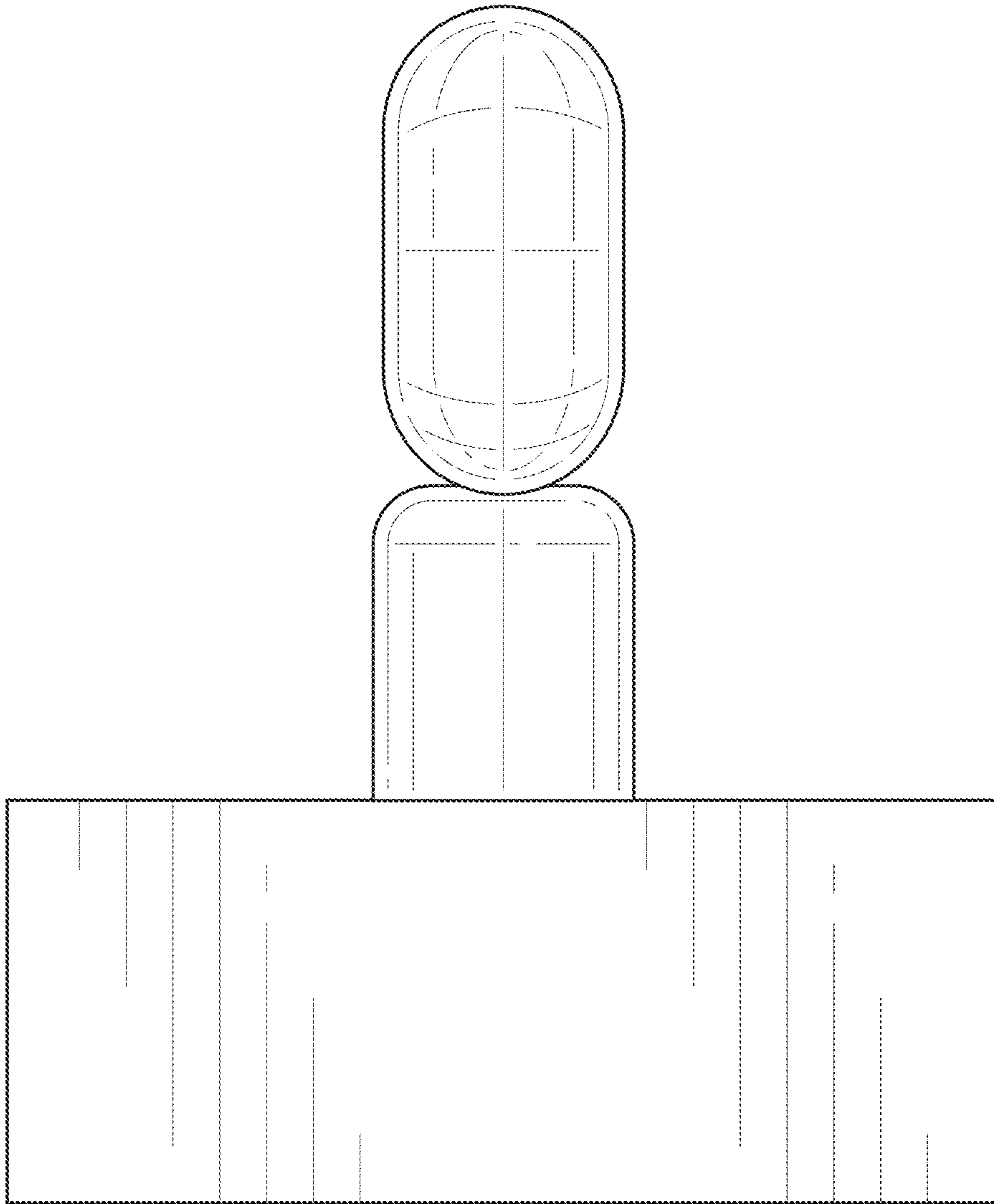
**FIG. 22**



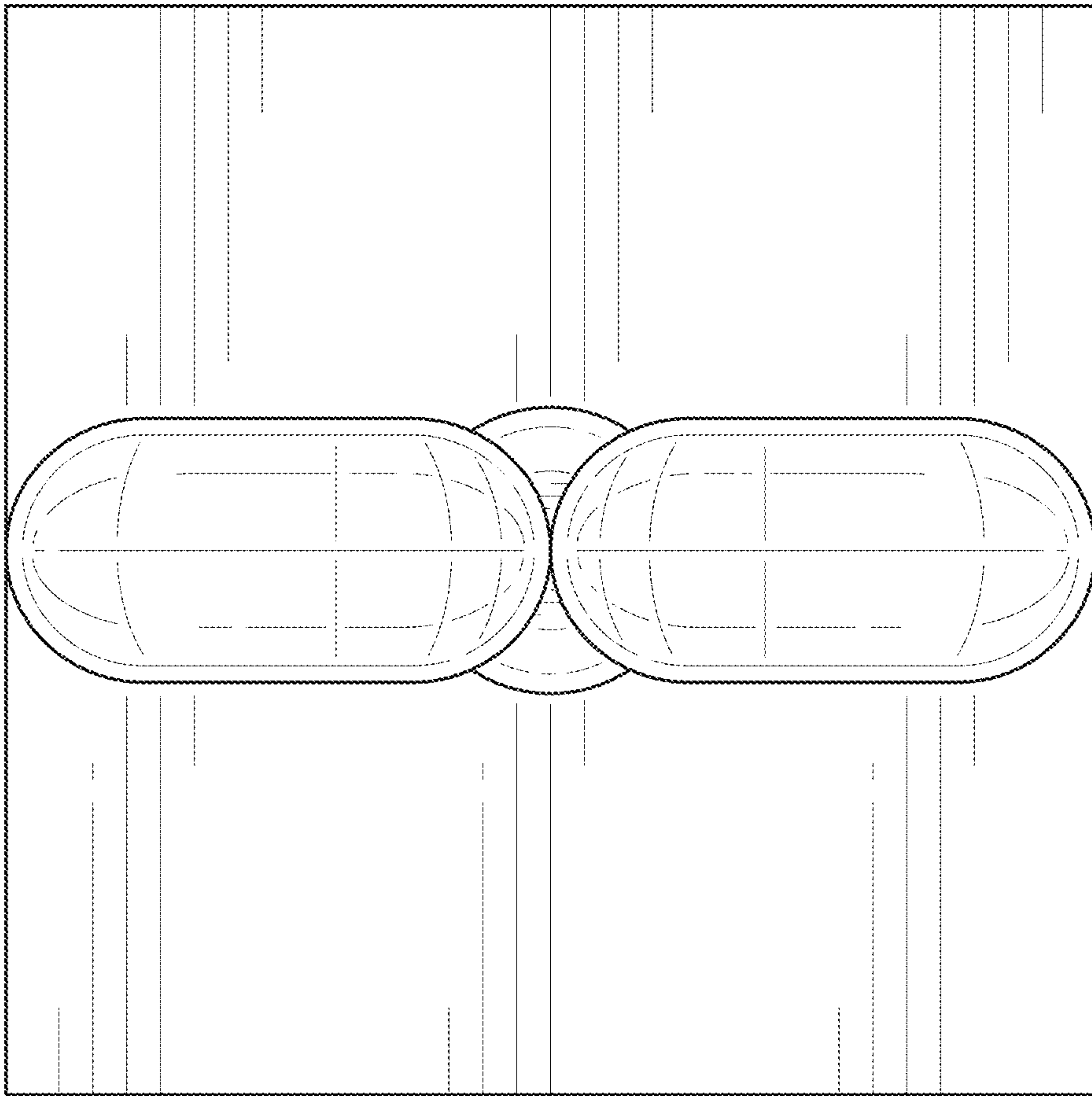
**FIG. 23**



**FIG. 24**

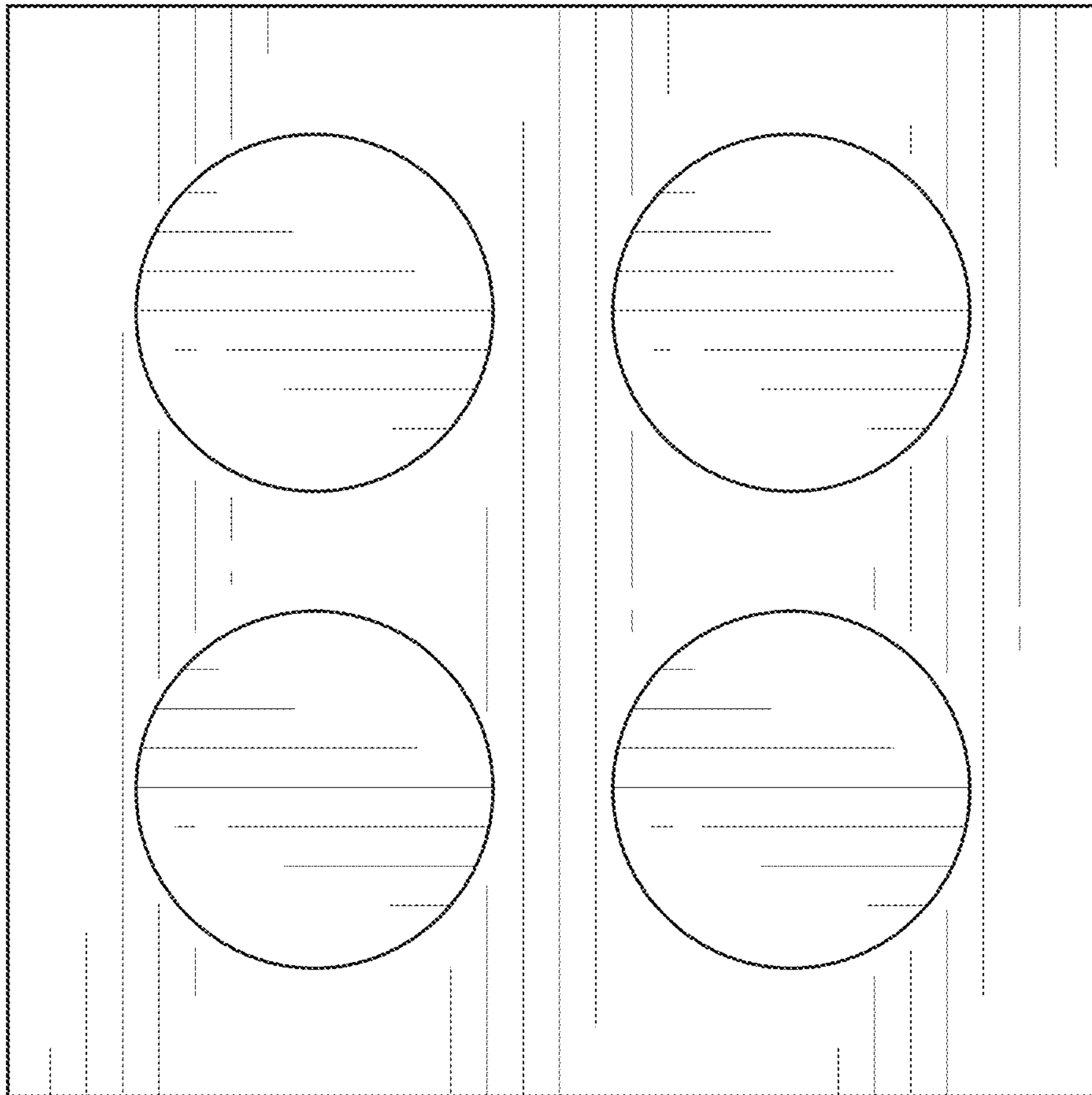


**FIG. 25**

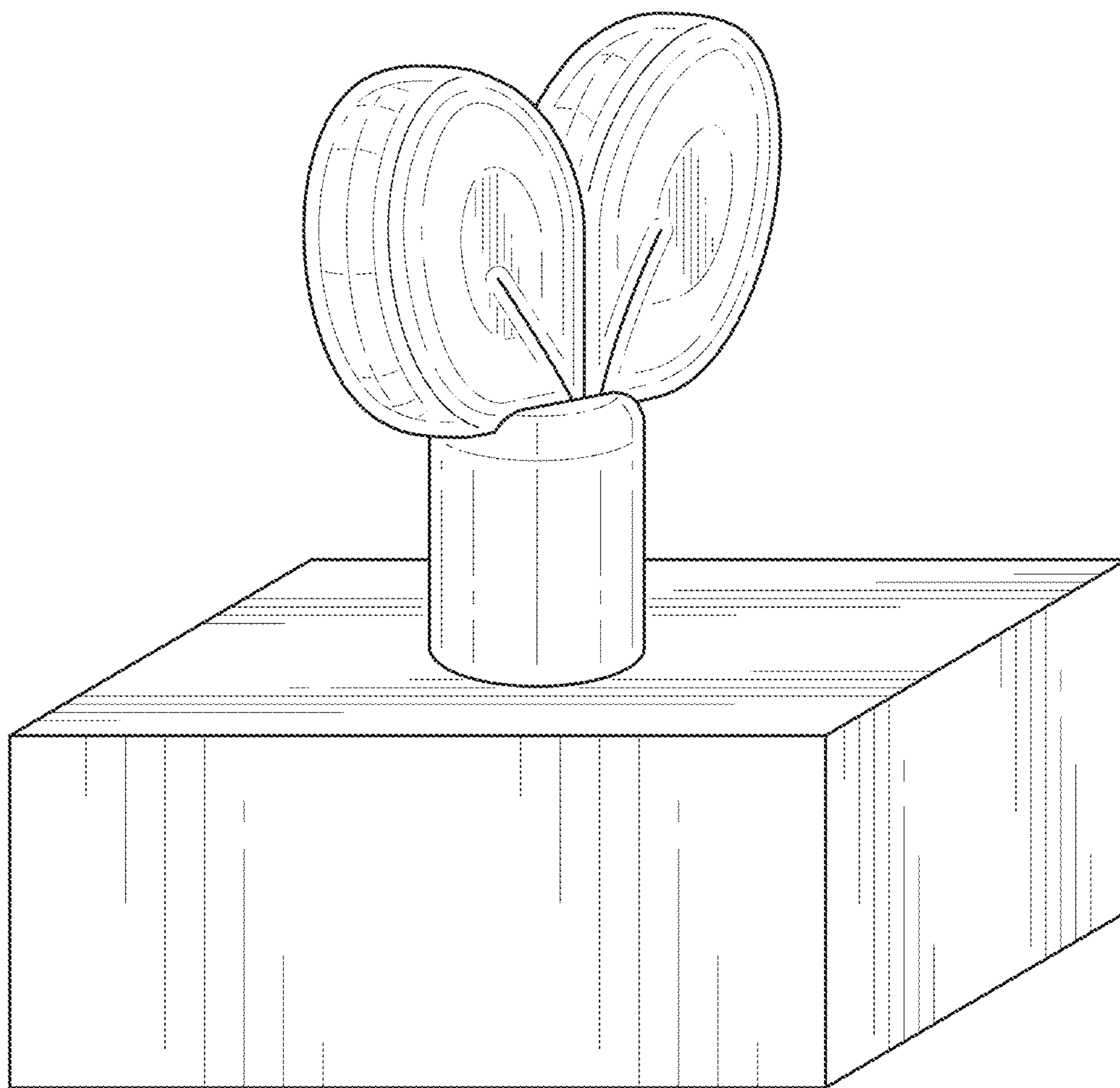


**FIG. 26**





***FIG. 27***



**FIG. 28**