



US00D921512S

(12) **United States Design Patent**  
**Miao et al.**

(10) **Patent No.:** **US D921,512 S**  
(45) **Date of Patent:** **\*\* Jun. 8, 2021**

(54) **DEER WHISTLE**  
(71) Applicant: **Guangzhou Heiman Technology Co., Ltd.**, Guangzhou (CN)  
(72) Inventors: **Bin Miao**, Guangzhou (CN); **Kaizan Su**, Guangzhou (CN)  
(\*\*) Term: **15 Years**  
(21) Appl. No.: **29/760,684**  
(22) Filed: **Dec. 3, 2020**  
(51) **LOC (13) Cl.** ..... **10-05**  
(52) **U.S. Cl.**  
USPC ..... **D10/119.1**  
(58) **Field of Classification Search**  
USPC ..... D10/119.1; D22/120  
CPC ..... B29C 66/949; A01M 29/18; A01M 29/16  
See application file for complete search history.

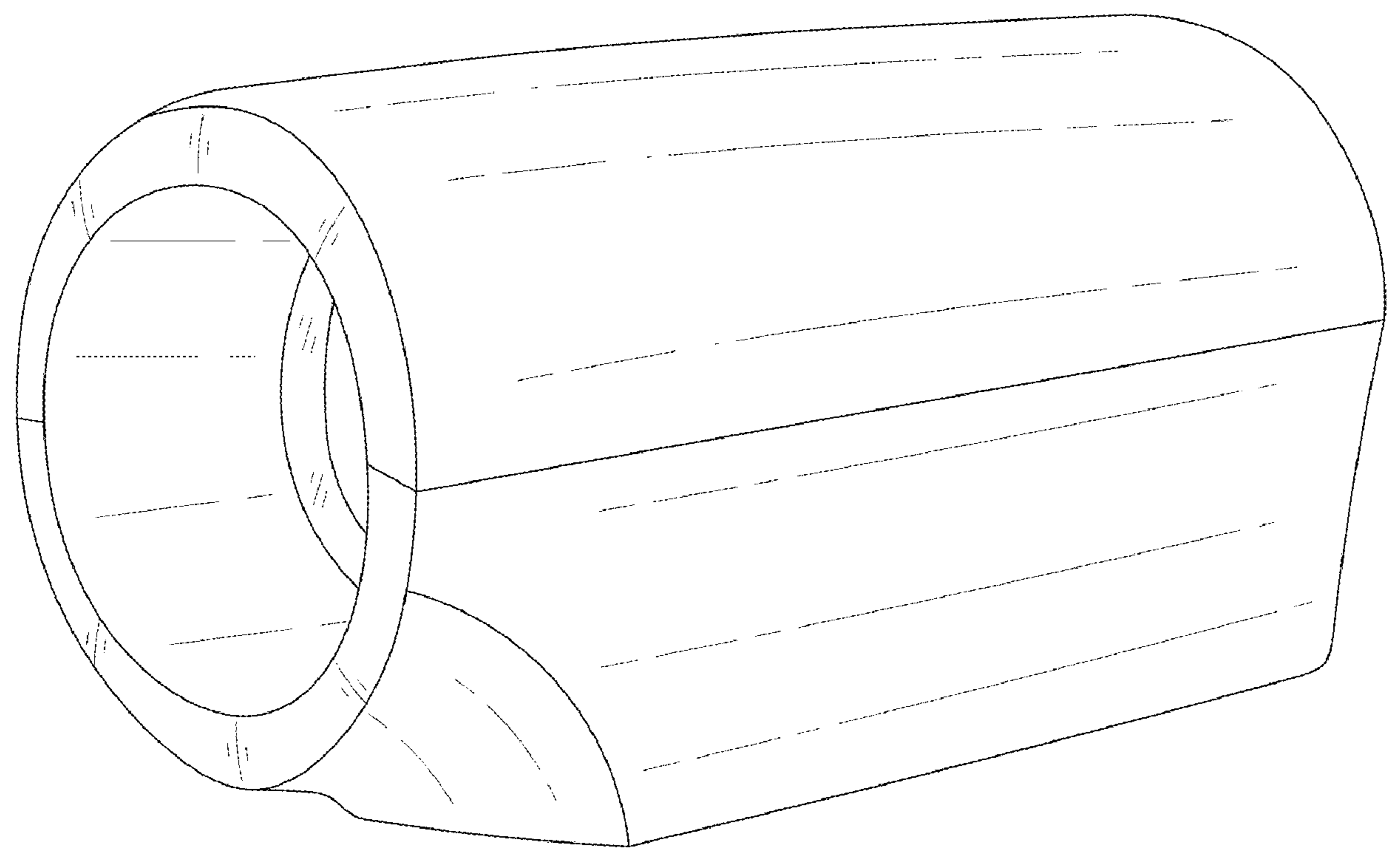
7,743,724 B1 \* 6/2010 Broser ..... A01M 29/18  
116/137 R  
D710,232 S 8/2014 Bedrik  
8,869,734 B2 \* 10/2014 Livingston ..... B29C 66/949  
116/137 R  
8,997,680 B2 \* 4/2015 Gardner ..... A01M 29/16  
116/22 A  
D782,248 S 3/2017 Kushner  
D782,355 S 3/2017 Paik et al.  
D853,877 S 7/2019 Sakhai  
D892,664 S 8/2020 Graber

\* cited by examiner  
*Primary Examiner* — George D. Kirschbaum  
(74) *Attorney, Agent, or Firm* — Runit Ranjit Kanakia

(57) **CLAIM**  
We claim the ornamental design for a deer whistle, as shown and described.

(56) **References Cited**  
U.S. PATENT DOCUMENTS  
4,437,428 A \* 3/1984 Hoffelner ..... A01M 29/18  
116/137 R  
4,903,630 A \* 2/1990 Rezmer ..... A01M 29/18  
116/137 R  
4,998,091 A \* 3/1991 Rezmer ..... A01M 29/18  
340/384.2  
D344,319 S \* 2/1994 Liu ..... D22/120  
5,418,518 A \* 5/1995 Schenken ..... A01M 29/18  
116/22 A  
D390,147 S \* 2/1998 Hartmann ..... D10/119.1  
D555,530 S \* 11/2007 Primos ..... D10/119.1

**DESCRIPTION**  
FIG. 1 is a perspective view of a deer whistle showing my new design in open position;  
FIG. 2 is Front view thereof;  
FIG. 3 is Back view thereof;  
FIG. 4 is a Right-side view thereof;  
FIG. 5 is a Left-side view thereof;  
FIG. 6 is a Top view thereof; and,  
FIG. 7 is a Bottom view thereof.  
**1 Claim, 7 Drawing Sheets**



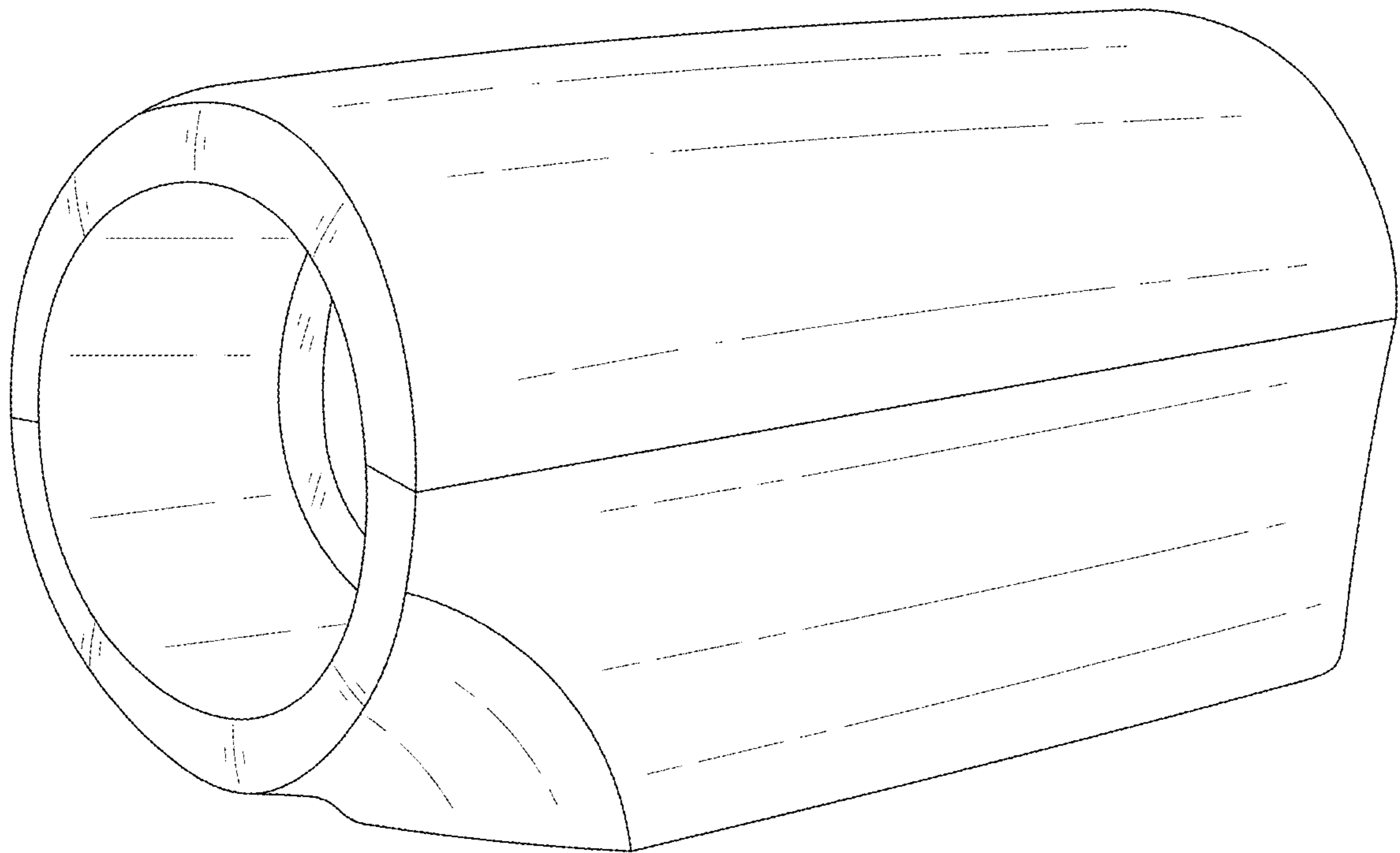


FIG. 1

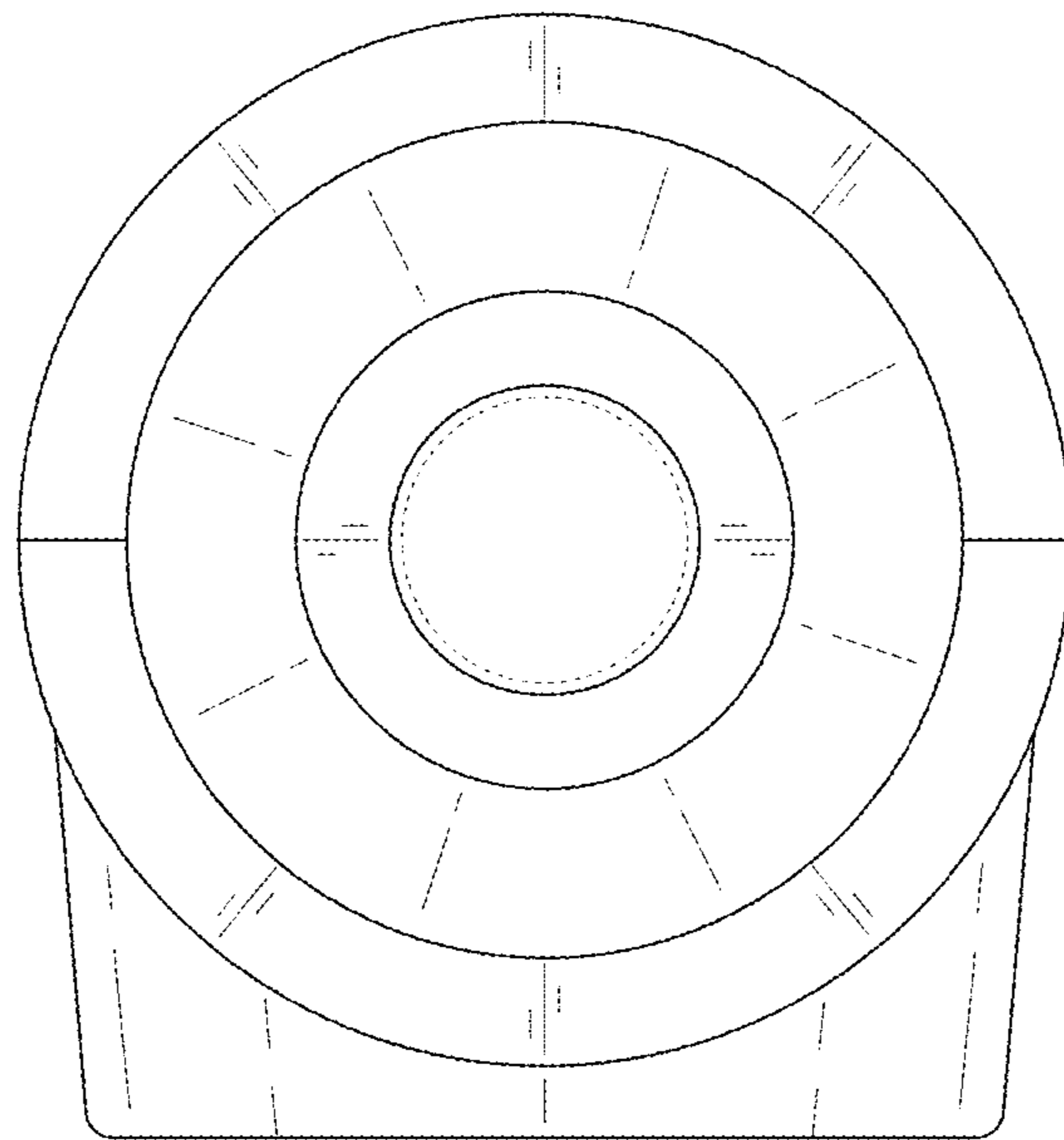


FIG. 2

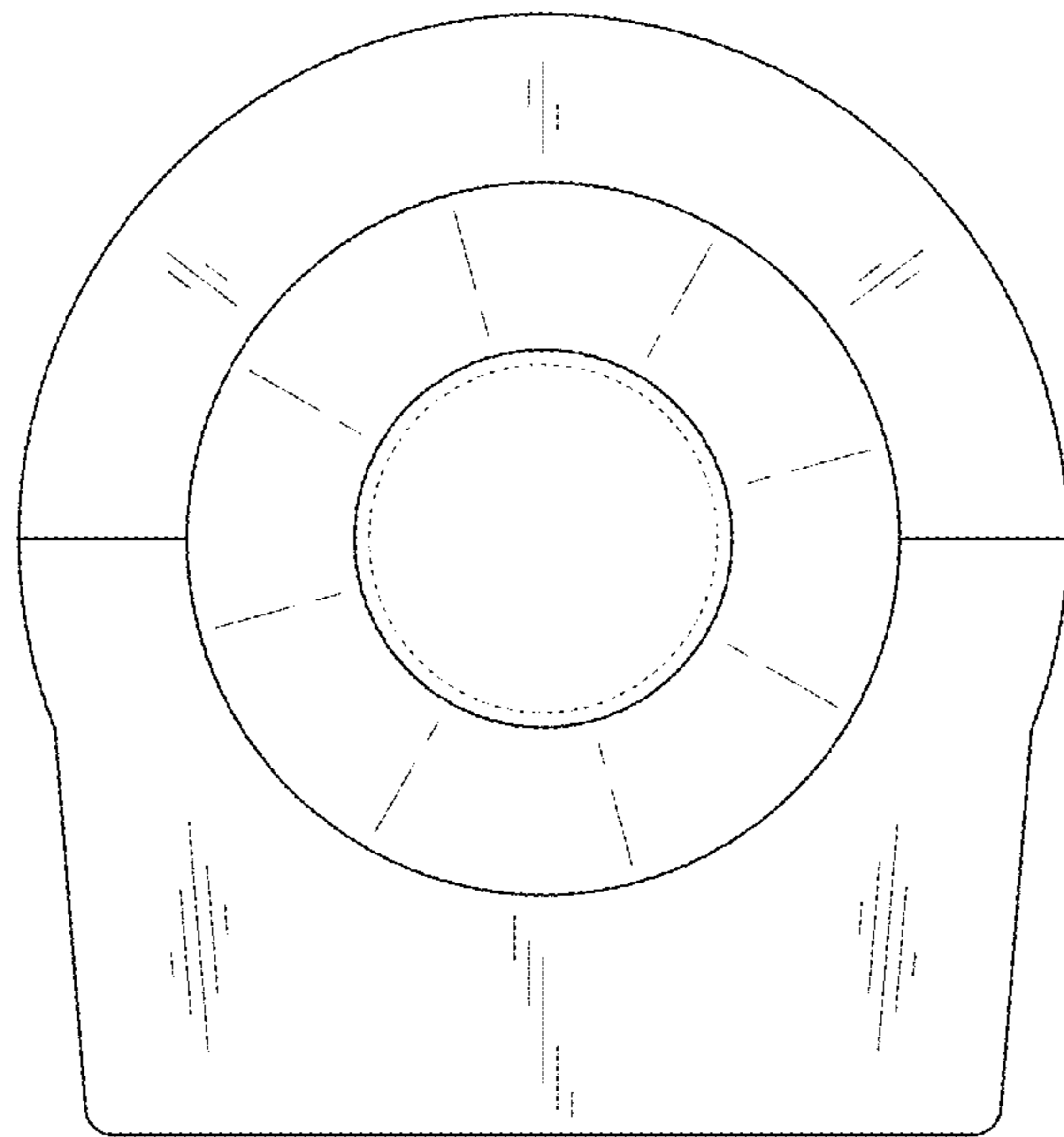


FIG. 3

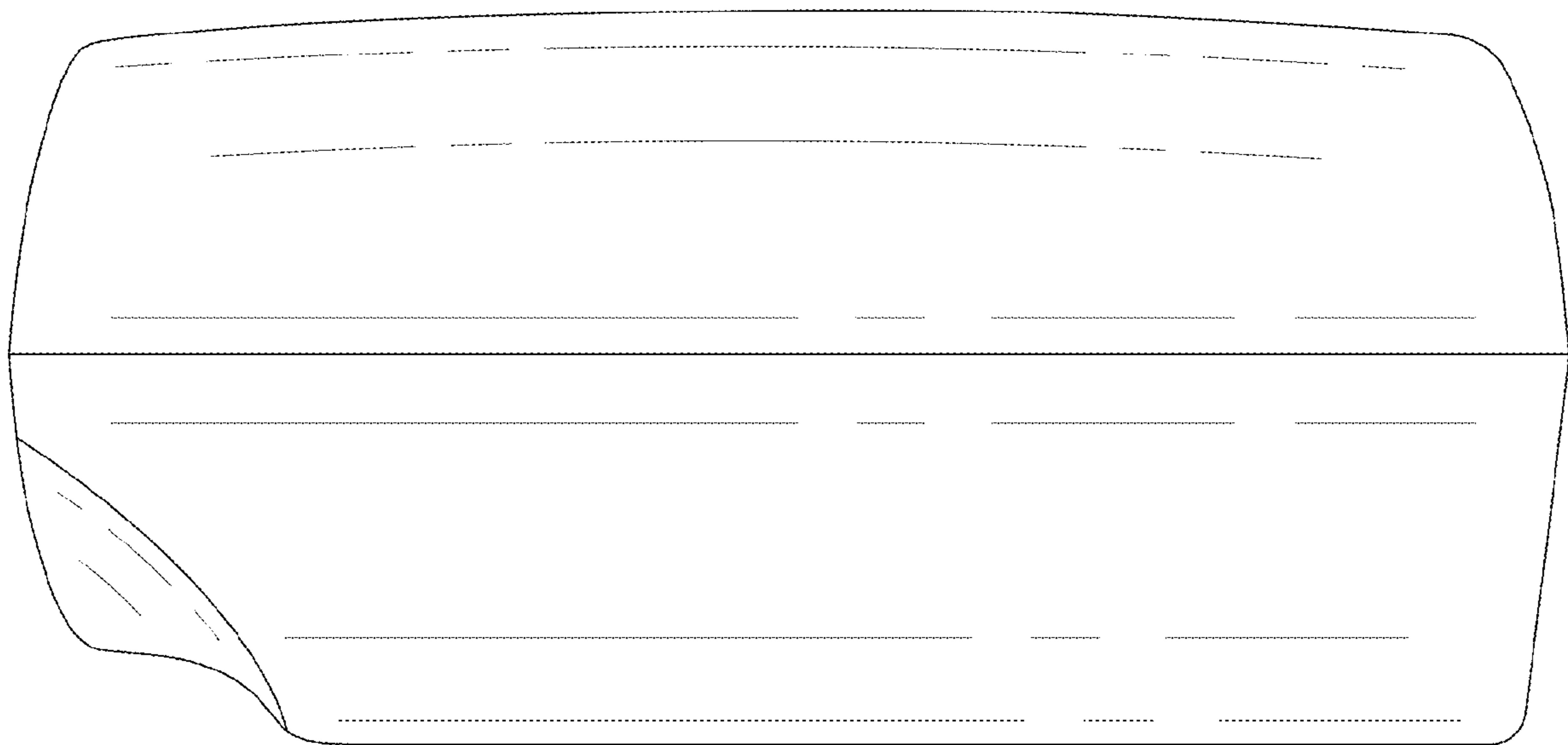


FIG. 4

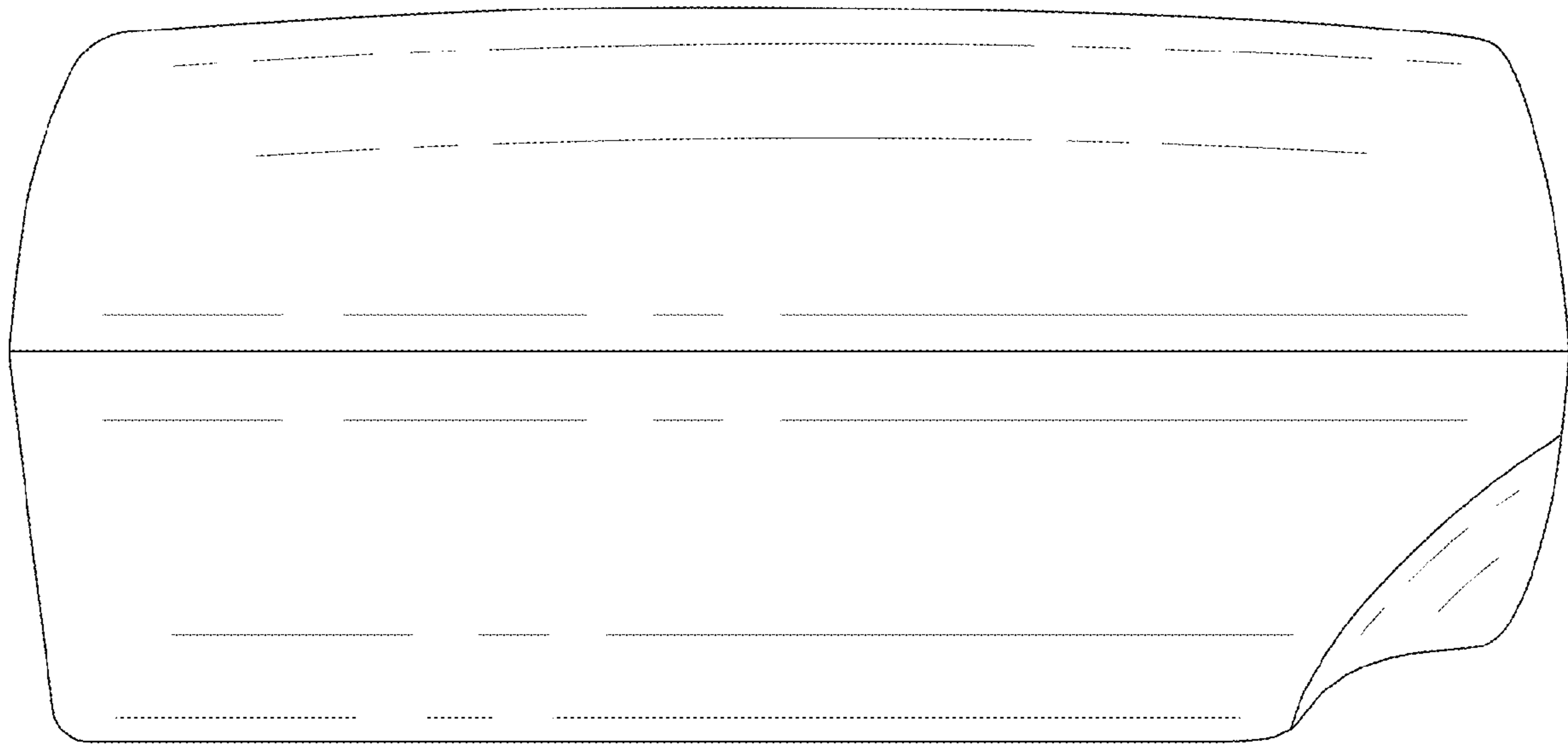


FIG. 5

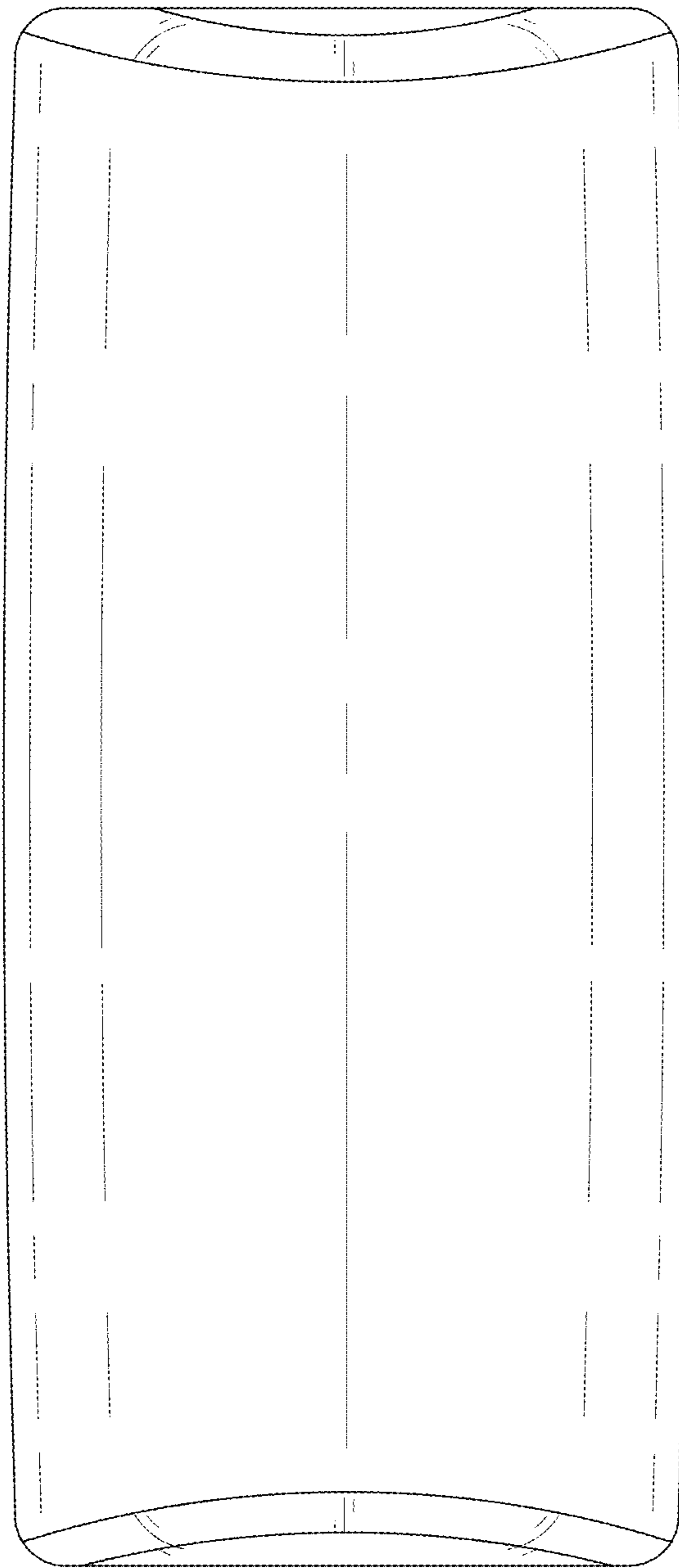


FIG. 6

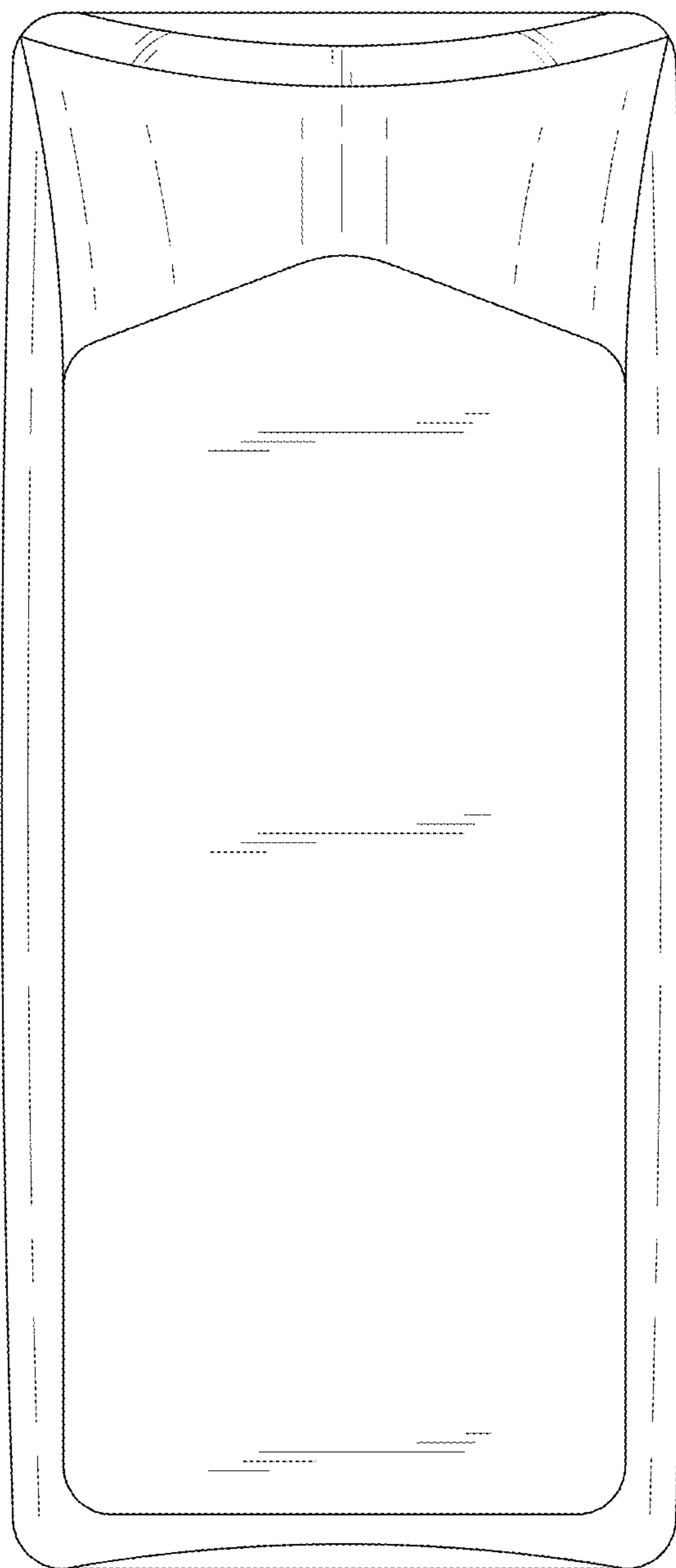


FIG. 7