

US00D921507S

(12) **United States Design Patent**
Dasgupta et al.

(10) **Patent No.:** **US D921,507 S**

(45) **Date of Patent:** **** Jun. 8, 2021**

(54) **ANALYTE DETECTING DEVICE**

(71) Applicant: **Board of Regents, The University of Texas System, Austin, TX (US)**

(72) Inventors: **Purnendu Dasgupta, Arlington, TX (US); Aditya Das, Arlington, TX (US)**

(73) Assignee: **BOARD OF REGENTS, THE UNIVERSITY OF TEXAS SYSTEM, Austin, TX (US)**

(**) Term: **15 Years**

(21) Appl. No.: **29/688,567**

(22) Filed: **Apr. 23, 2019**

(51) **LOC (13) Cl.** **10-04**

(52) **U.S. Cl.**
USPC **D10/103; D24/232**

(58) **Field of Classification Search**
USPC D10/81, 103; D24/186, 216, 232, 233, D24/234
CPC B01L 3/52; B01L 2300/0858; B01L 2200/025; B01L 2300/046; B01L 2300/0672; B01L 2200/16; B01L 2300/0841; B01L 2300/161; B01L 3/5023; B01F 9/002; B01F 9/0001; G01N 21/31; G01N 35/1002; G01N 21/783; G01N 2021/7763

See application file for complete search history.

(56) **References Cited**

U.S. PATENT DOCUMENTS

D331,806 S * 12/1992 Sodergren D10/81
D529,829 S * 10/2006 Shimizu D10/81

D530,234 S * 10/2006 Shimizu D10/81
D839,116 S * 1/2019 Hirose D10/81
D858,790 S * 9/2019 Hsu D24/216
D867,184 S * 11/2019 Lavrovsky D10/81
D901,696 S * 11/2020 Lei D24/186

* cited by examiner

Primary Examiner — Antoine Duval Davis

(74) *Attorney, Agent, or Firm* — J. Clinton Wimbish; Nexsen Pruet, PLLC

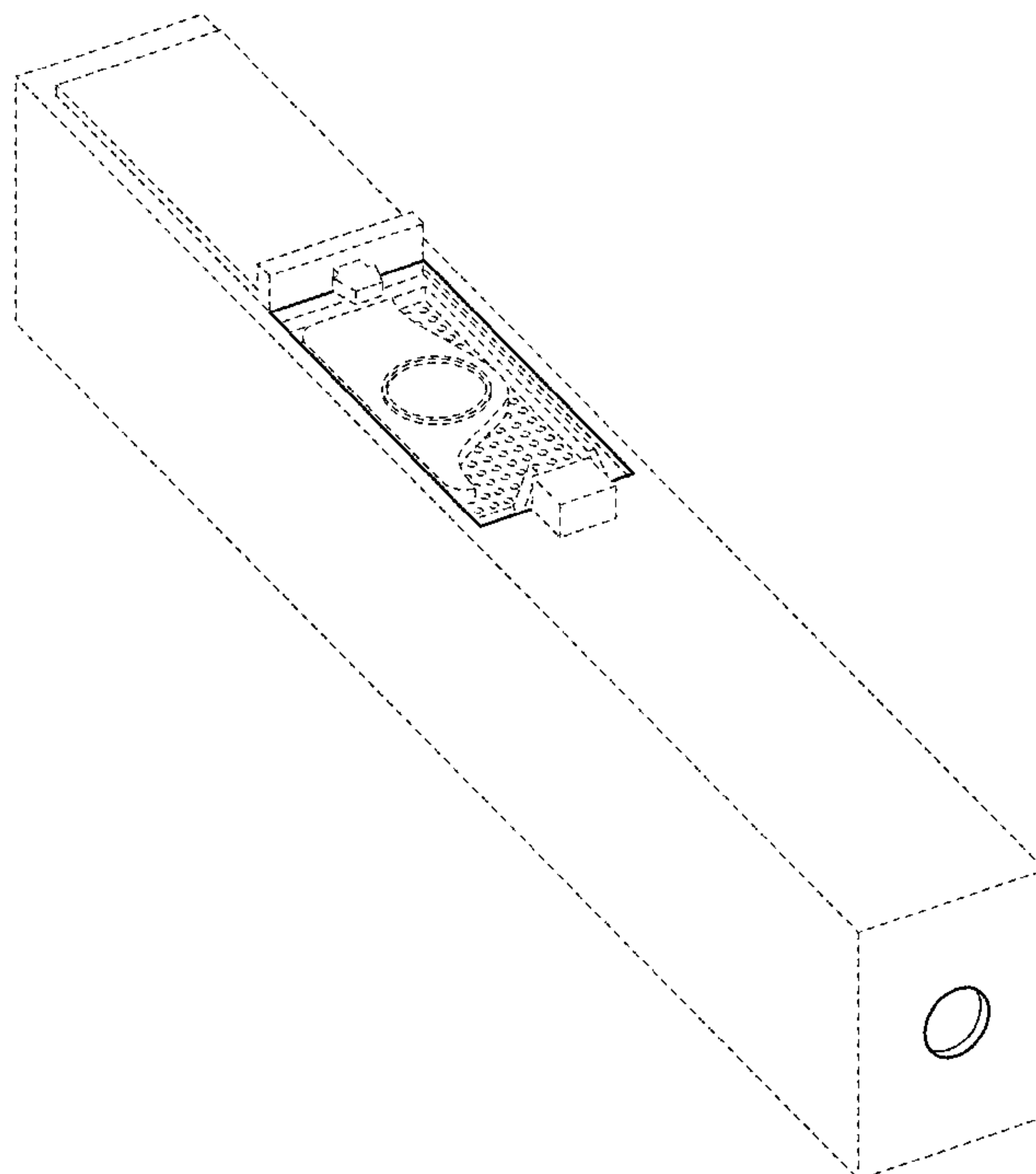
(57) **CLAIM**

The ornamental design for a analyte detecting device, as shown and described herein.

DESCRIPTION

FIG. 1 is a front perspective view of an analyte detecting device according to an embodiment of the invention.
FIG. 2 is a rear perspective view of an analyte detecting device according to an embodiment of the invention.
FIG. 3 is a top elevation view of an analyte detecting device according to an embodiment of the invention.
FIG. 4 is a bottom elevation view of an analyte detecting device according to an embodiment of the invention.
FIG. 5 is a back elevation view of an analyte detecting device according to an embodiment of the invention.
FIG. 6 is a front elevation view of an analyte detecting device according to an embodiment of the invention.
FIG. 7 is a left elevation view of an analyte detecting device according to an embodiment of the invention; and,
FIG. 8 is a right elevation view of an analyte detecting device according to an embodiment of the invention.

1 Claim, 5 Drawing Sheets



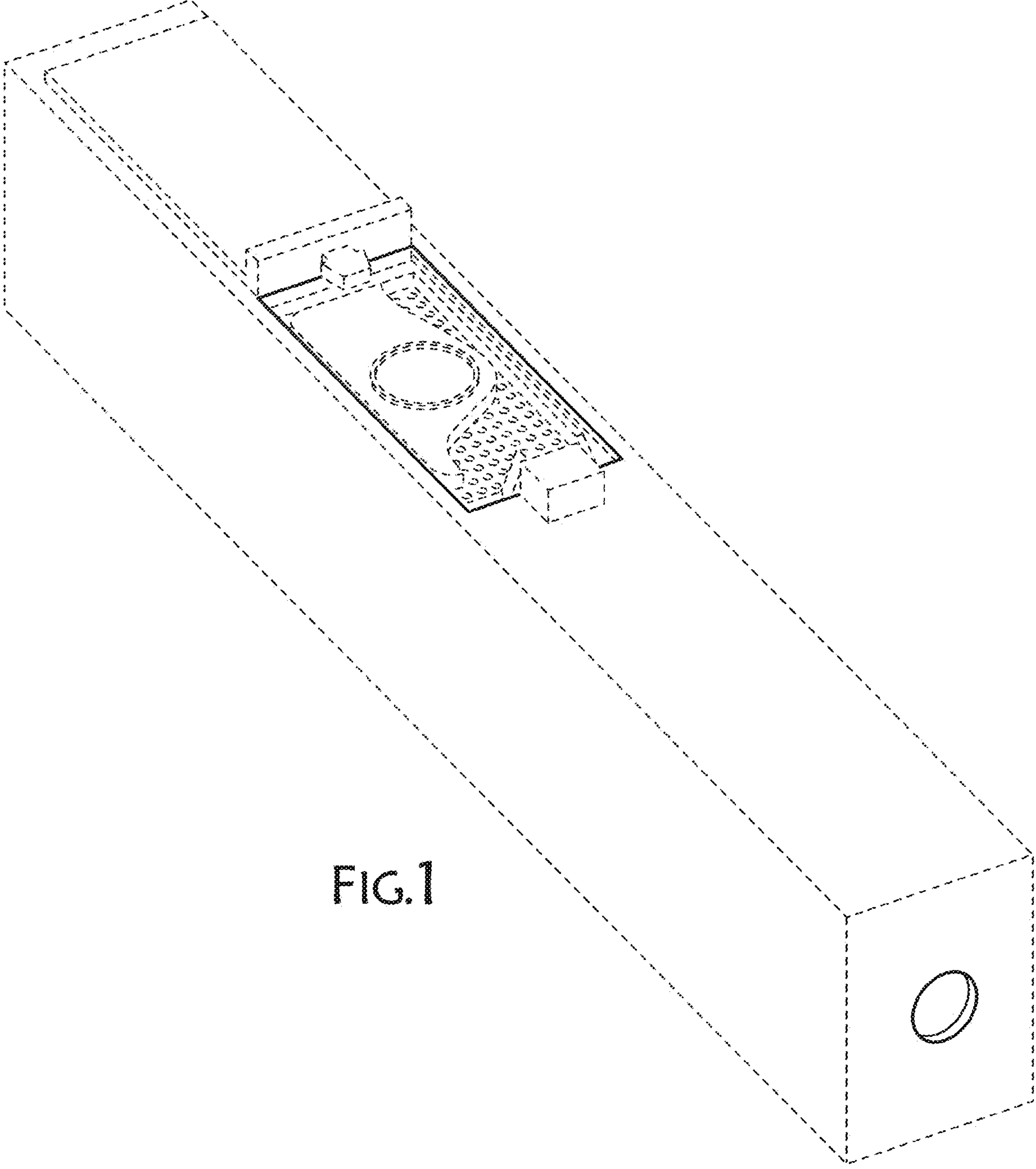


FIG.1

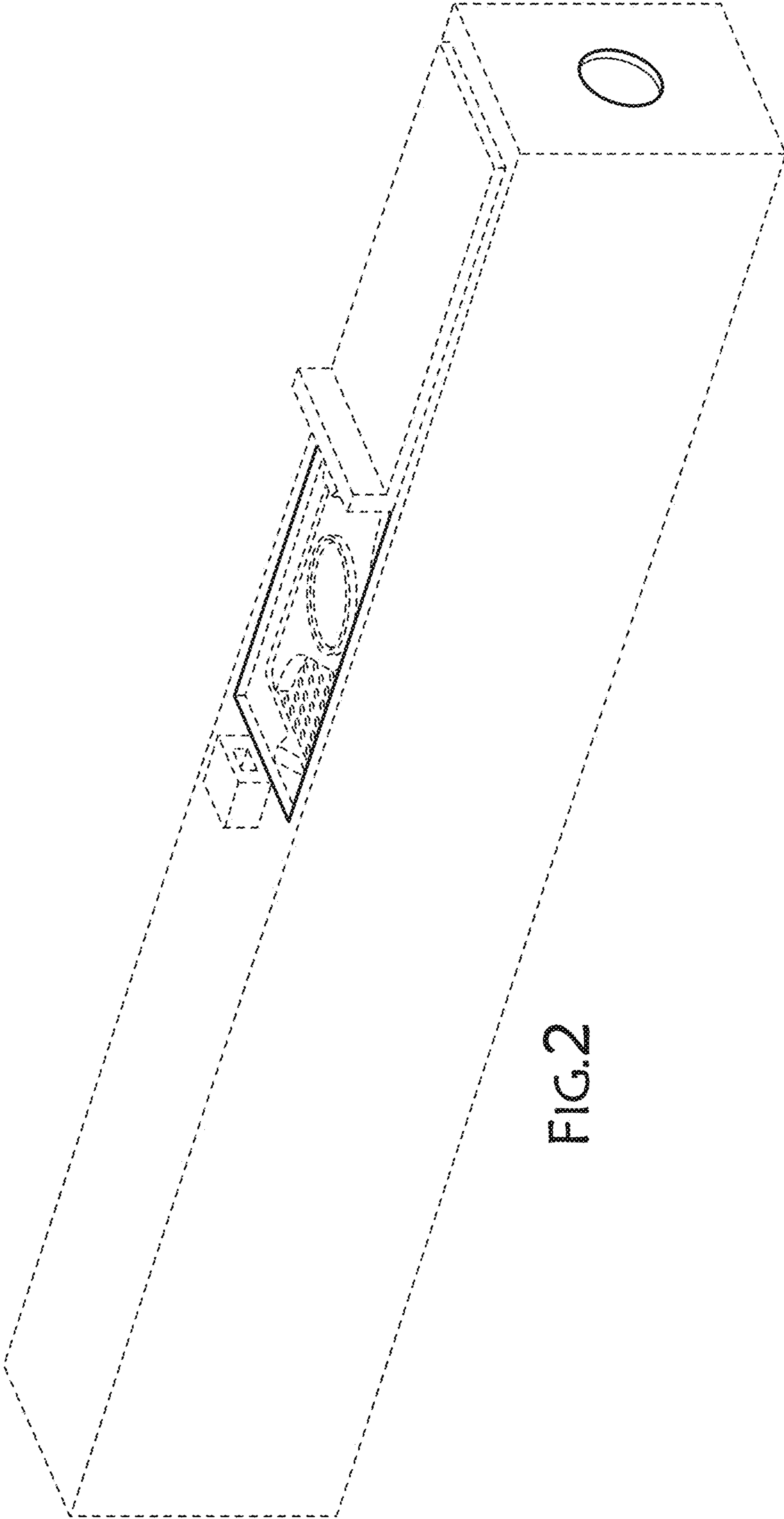


FIG.2

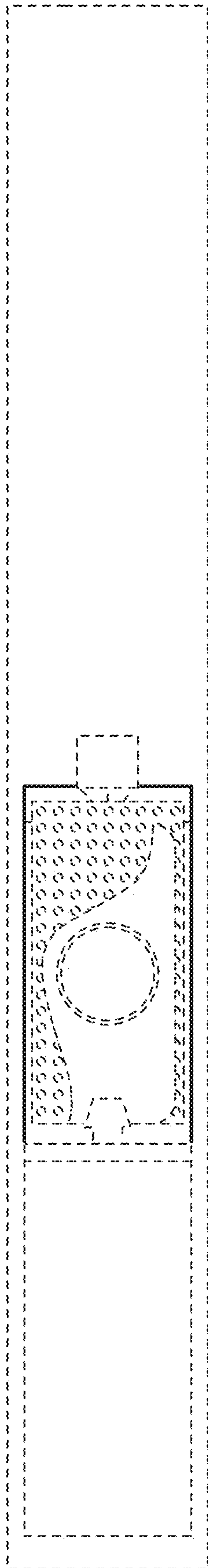


FIG. 3

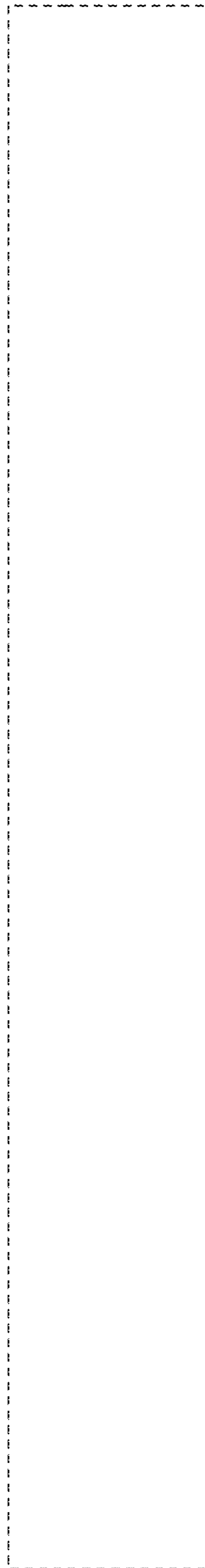


FIG. 4

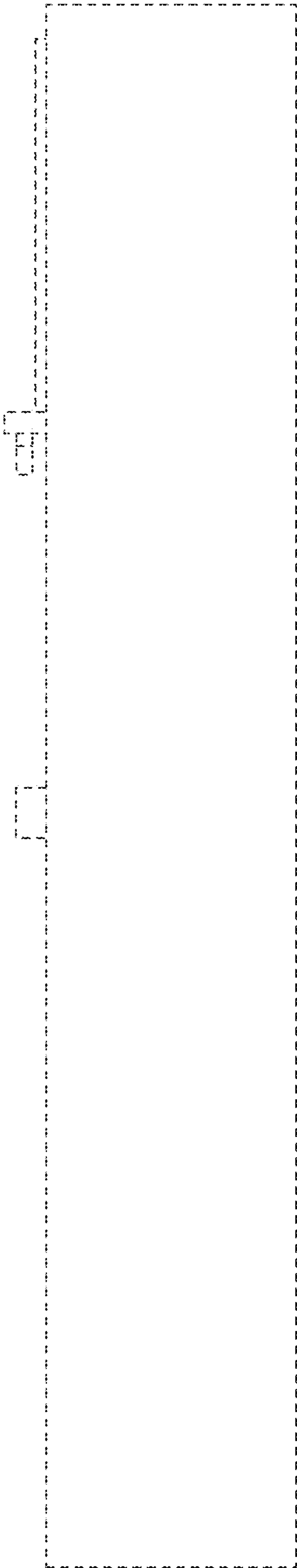


FIG.5

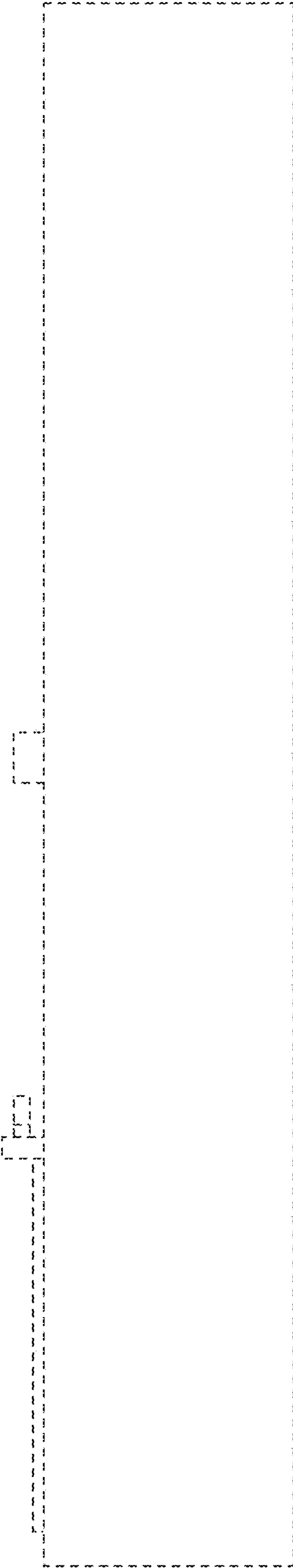


FIG.6

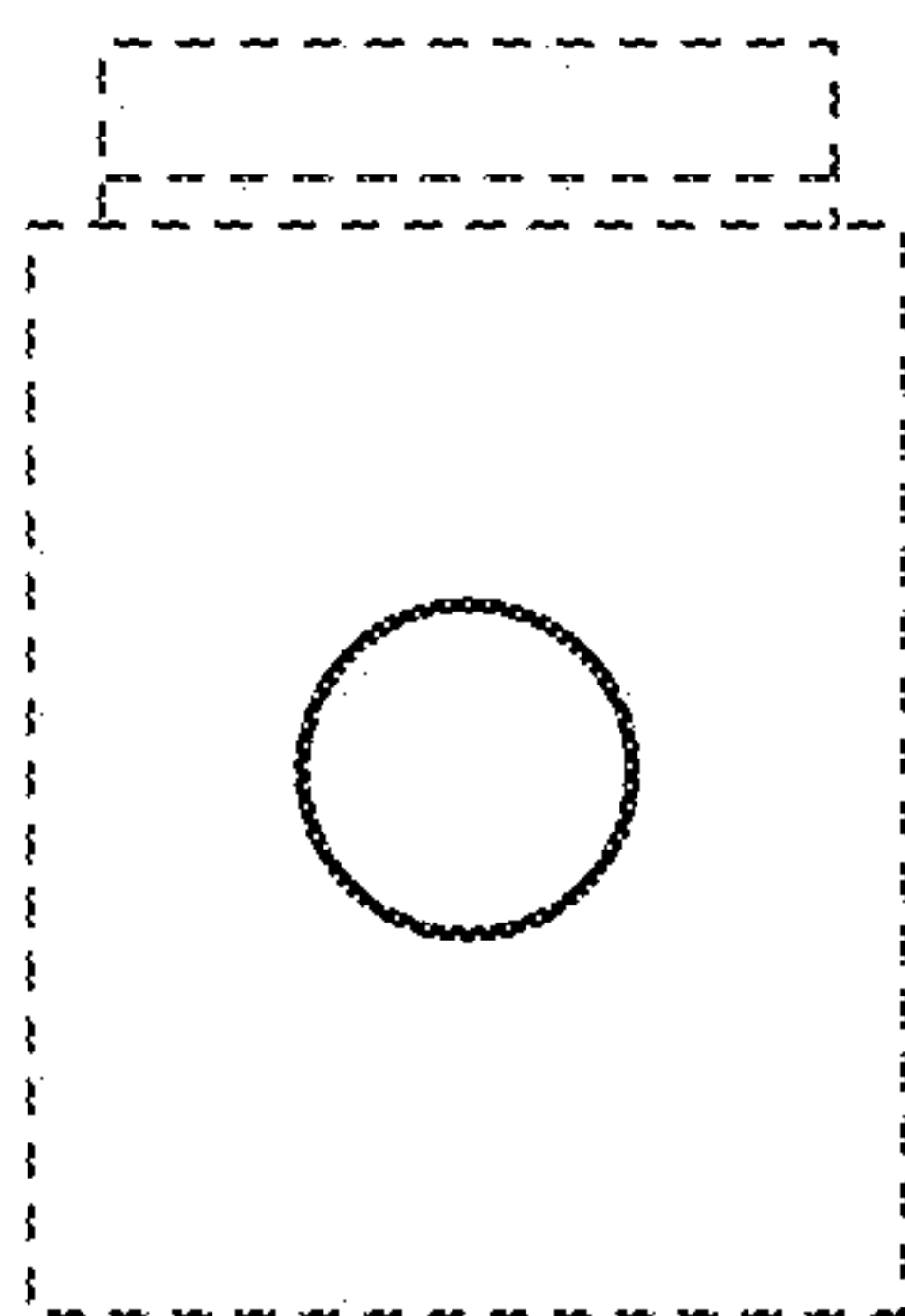


FIG. 7

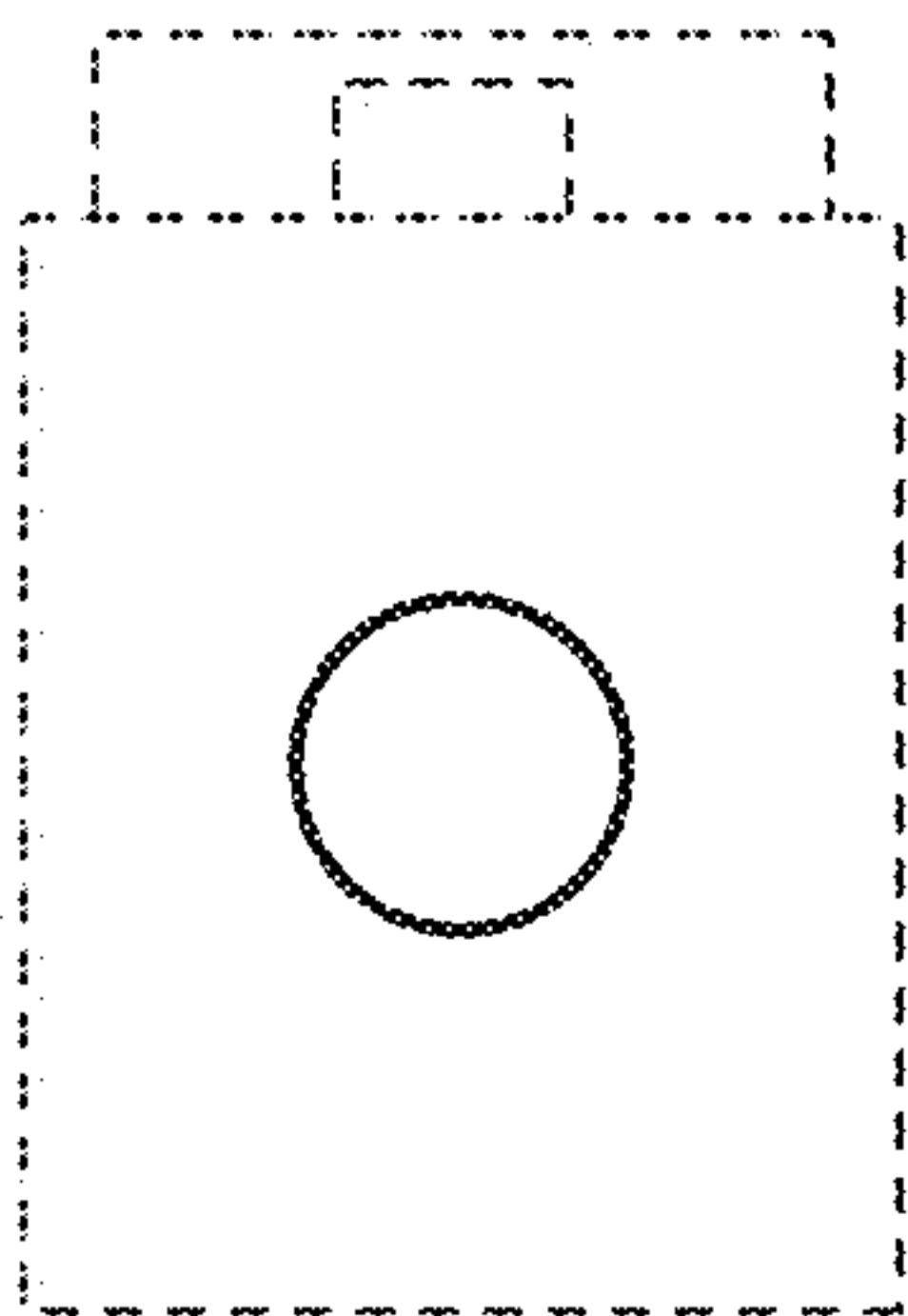


FIG. 8