



US00D921503S

(12) **United States Design Patent**
Sanchez Henares

(10) **Patent No.:** **US D921,503 S**
(45) **Date of Patent:** **** Jun. 8, 2021**

(54) **MEASURING WEDGE FOR LAYING TILES**

(71) Applicant: **Industrias Tayg, S.L.U.**, Beniparrell (ES)

(72) Inventor: **Eduardo Jose Sanchez Henares**, Beniparrell (ES)

(73) Assignee: **Industrias Tayg, S.L.U.**, Beniparrell (ES)

(**) Term: **15 Years**

(21) Appl. No.: **29/693,660**

(22) Filed: **Jun. 4, 2019**

(30) **Foreign Application Priority Data**

Feb. 18, 2019 (EM) 006258695

(51) **LOC (13) Cl.** **10-04**

(52) **U.S. Cl.**
USPC **D10/65**

(58) **Field of Classification Search**
USPC D10/46, 64, 65
CPC ... G01B 3/30; G01B 3/38; G01B 3/40; G01C 9/00

See application file for complete search history.

(56) **References Cited**

U.S. PATENT DOCUMENTS

2,846,772 A * 8/1958 Strausser G01B 3/30
33/342
3,771,232 A * 11/1973 Specht G01C 9/00
33/375
D341,544 S * 11/1993 Zaslavsky D10/62
D411,808 S * 7/1999 Irwin D10/65

* cited by examiner

Primary Examiner — Antoine Duval Davis

(74) *Attorney, Agent, or Firm* — Richard M. Goldberg

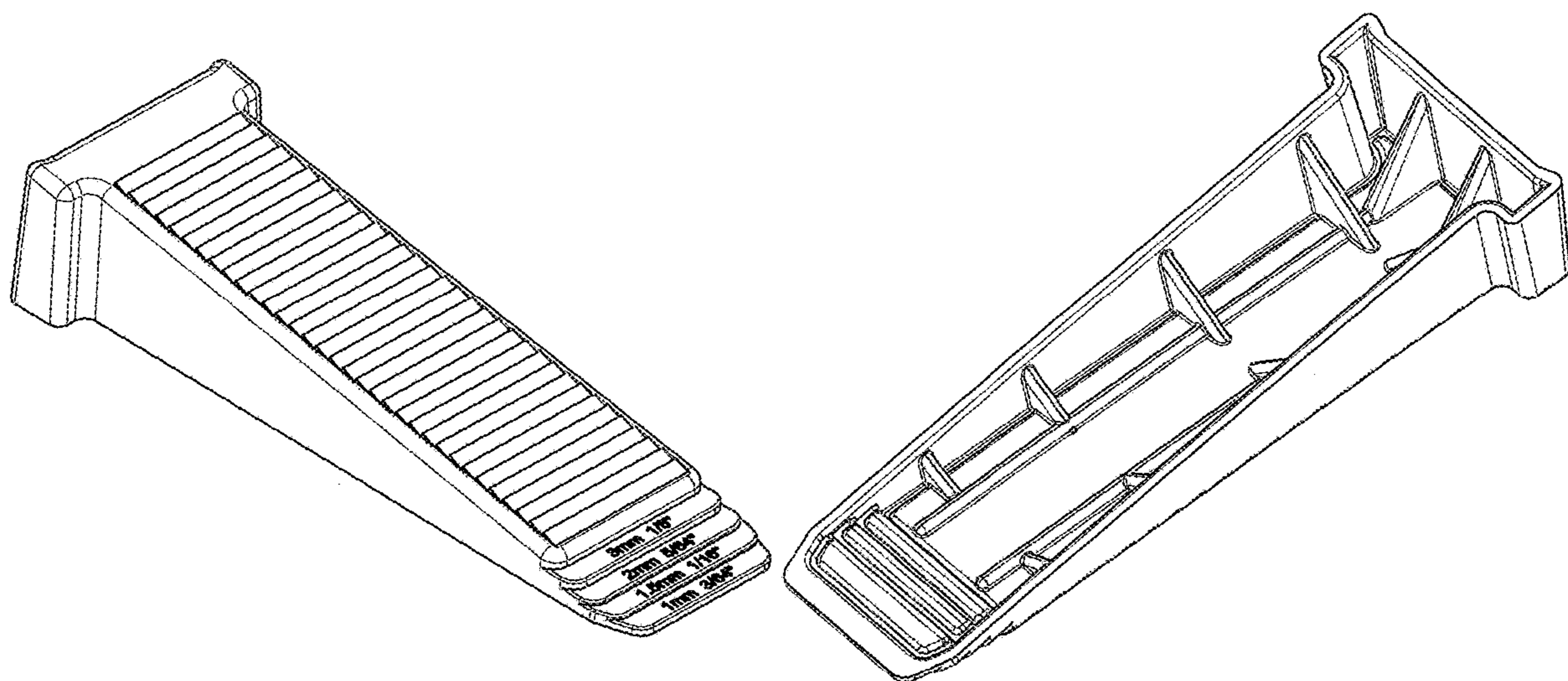
(57) **CLAIM**

The ornamental design for an measuring wedge for laying tiles, as shown.

DESCRIPTION

FIG. 1 is a top perspective view of the measuring wedge for laying tiles;
FIG. 2 is a bottom perspective view thereof;
FIG. 3 is a top plan view thereof;
FIG. 4 is a bottom plan view thereof;
FIG. 5 is a left side elevational view thereof;
FIG. 6 is a right side elevational view thereof;
FIG. 7 is a rear elevational view thereof;
FIG. 8 is a front elevational view thereof; and,
FIG. 9 is an enlarged top plan view of the front thereof.

1 Claim, 8 Drawing Sheets



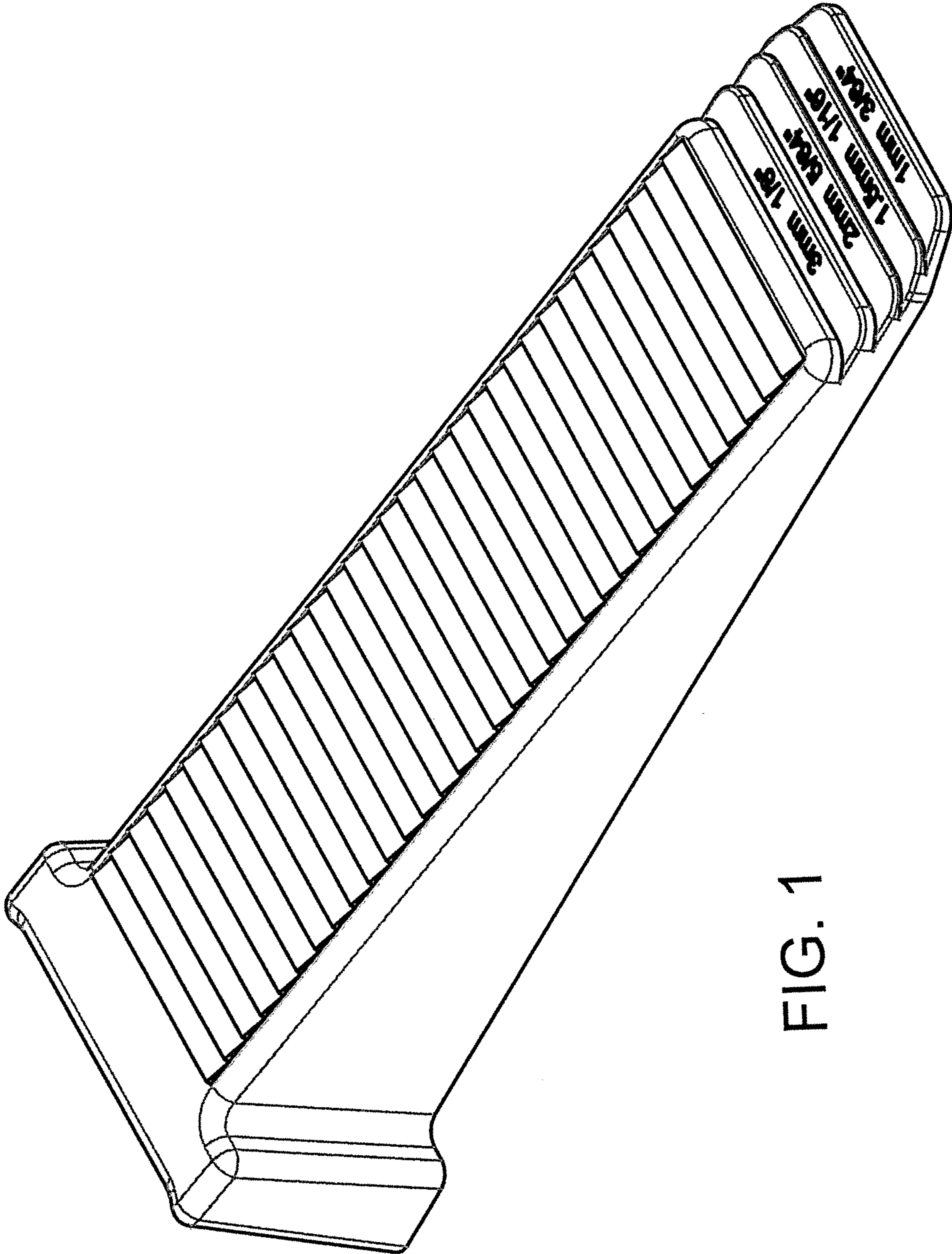


FIG. 1

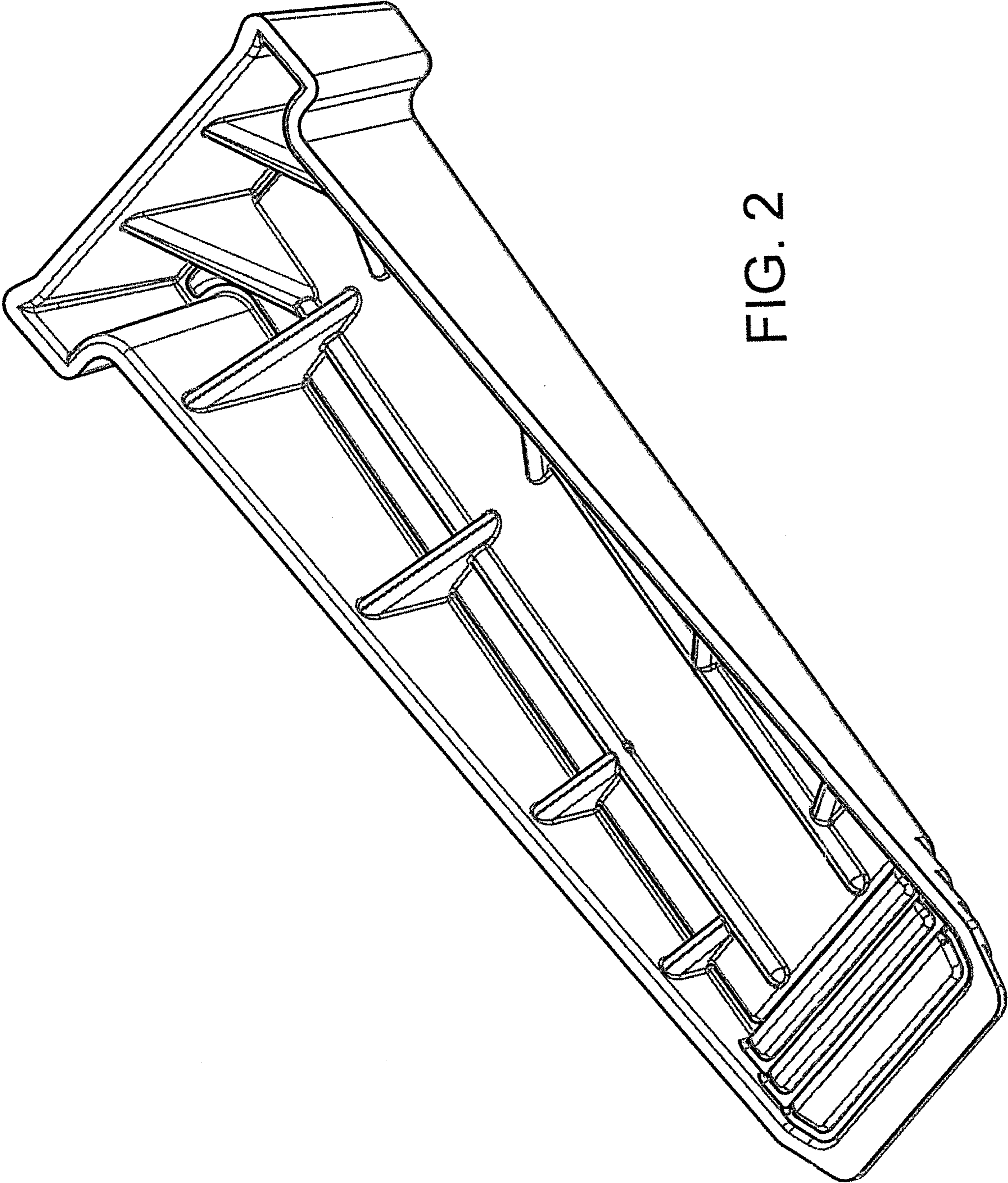


FIG. 2

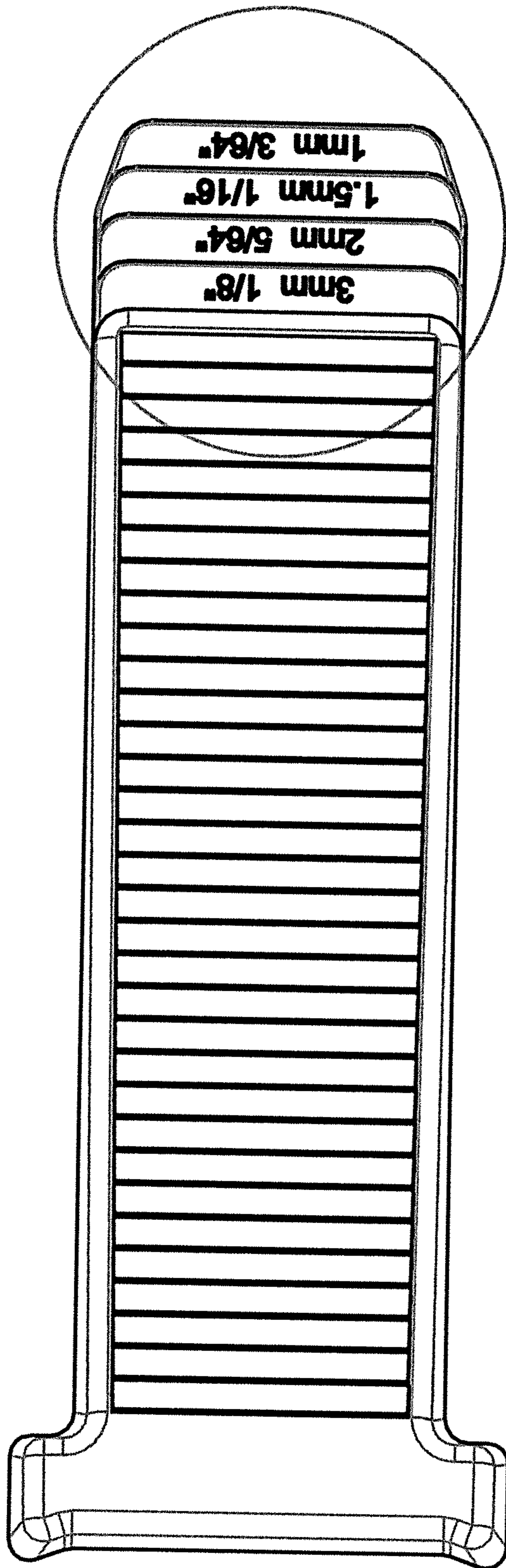


FIG. 3

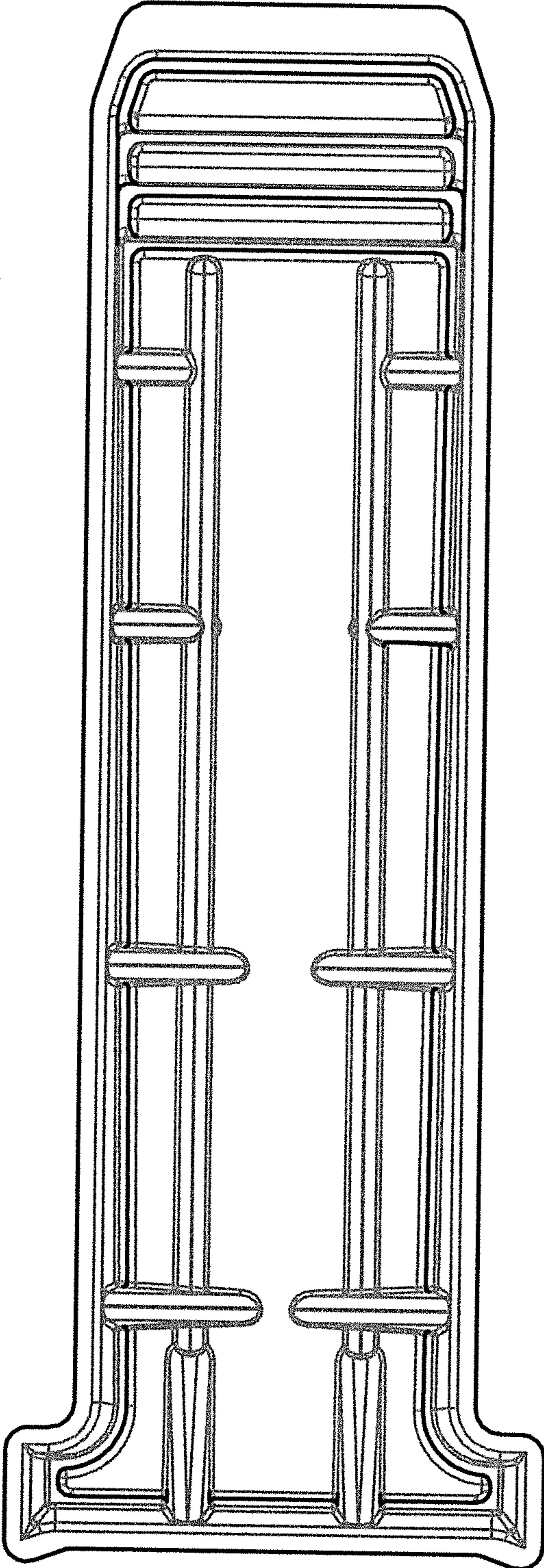


FIG. 4

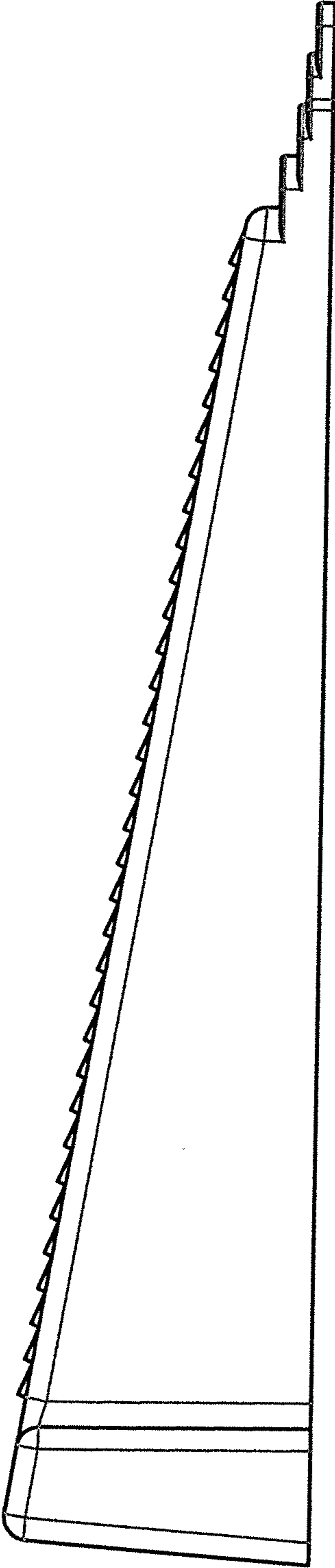


FIG. 5

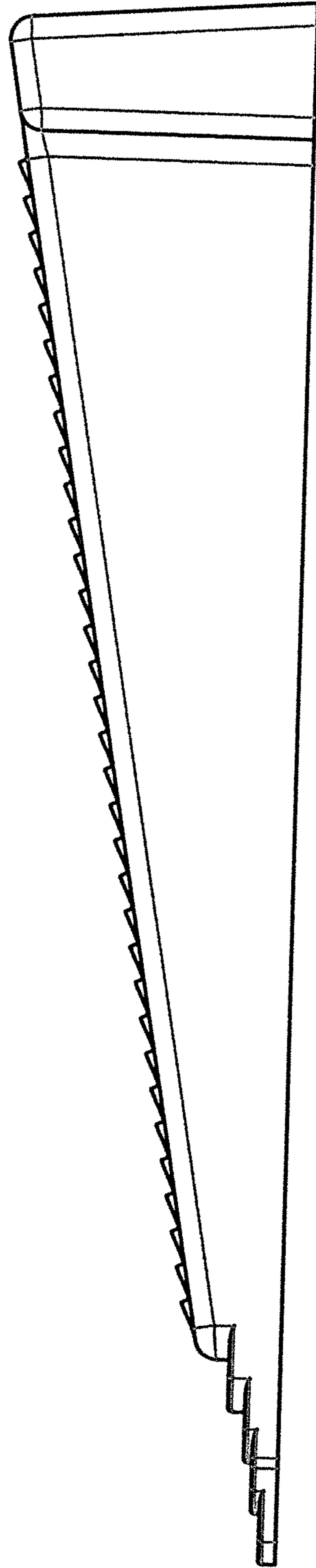


FIG. 6

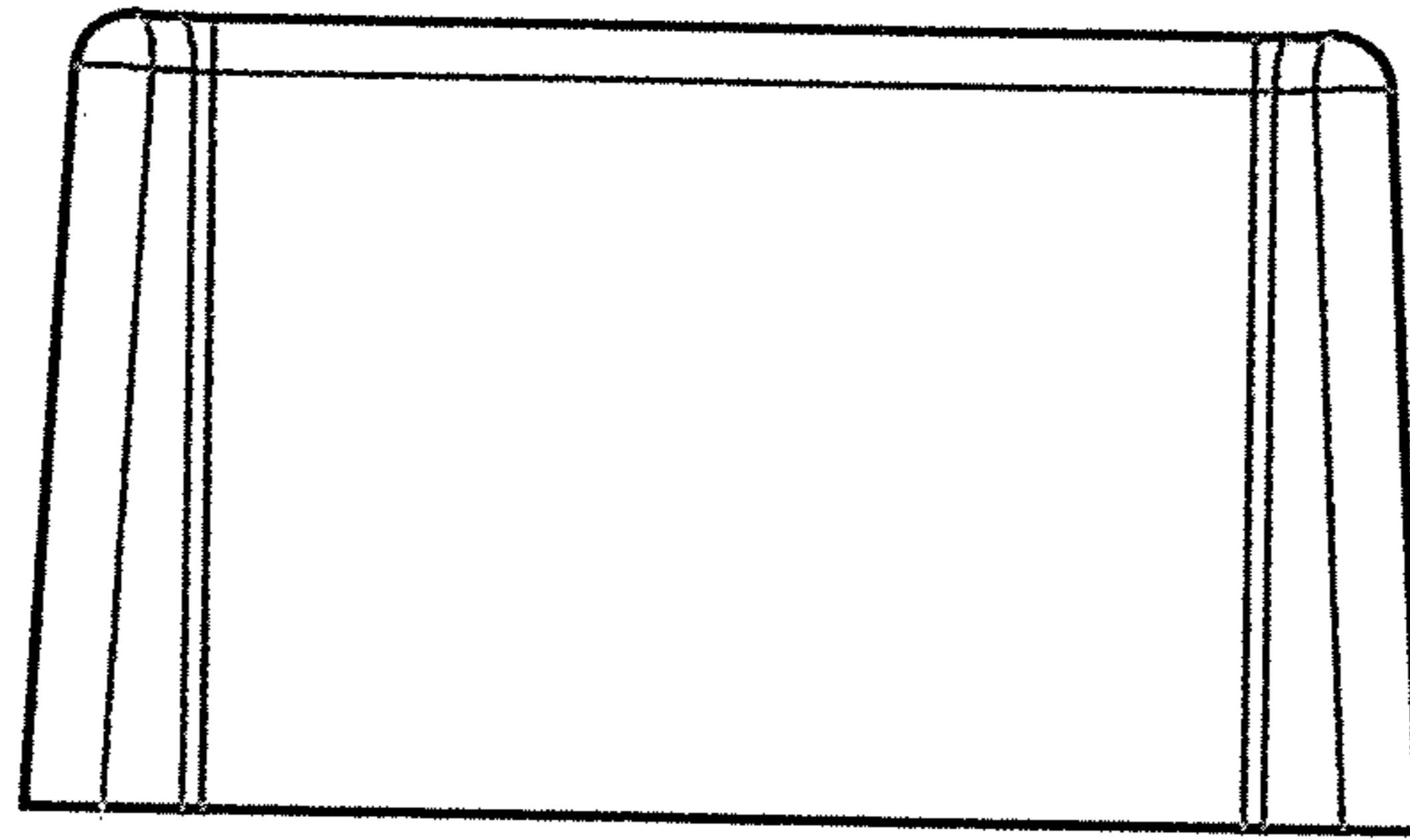


FIG. 7

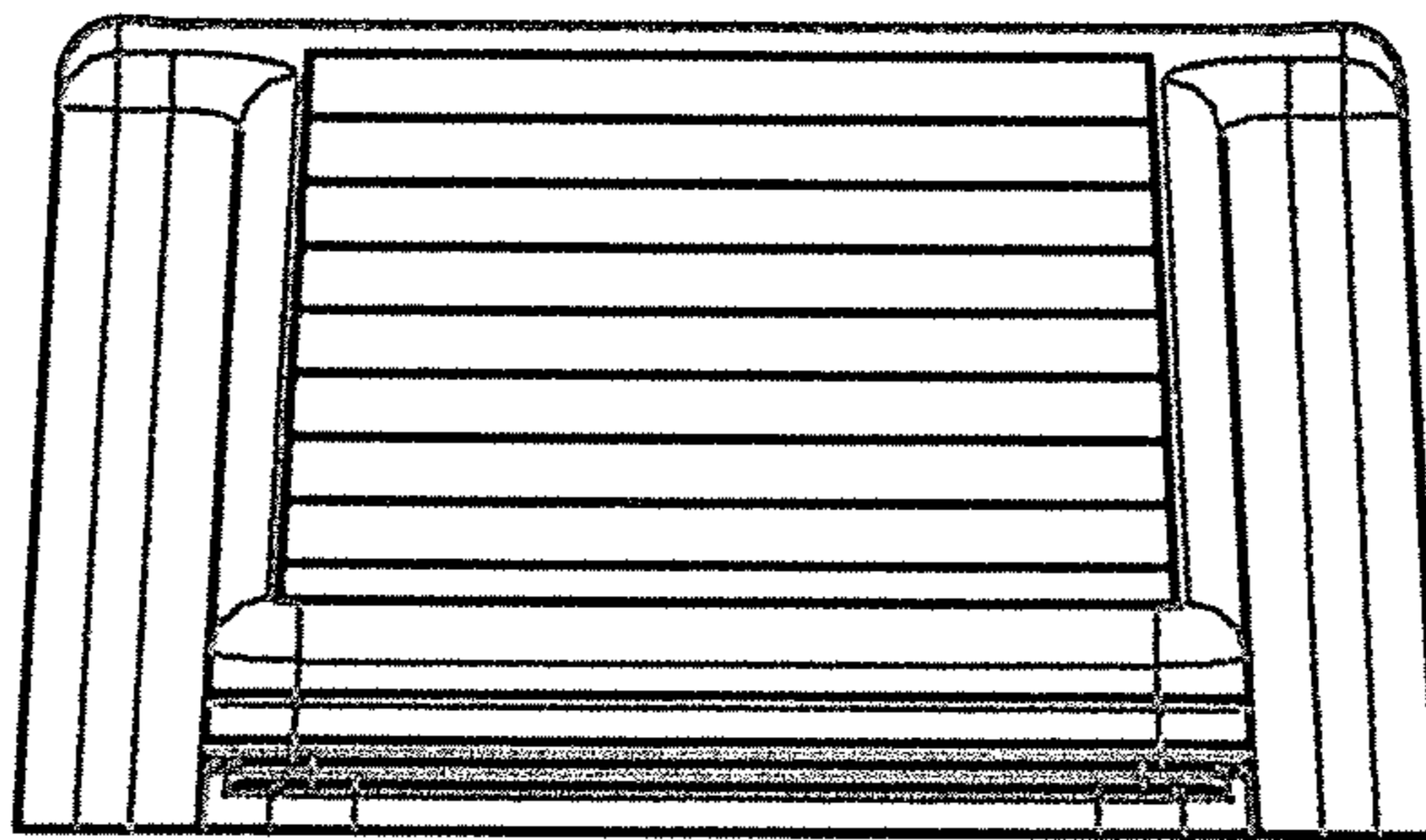


FIG. 8

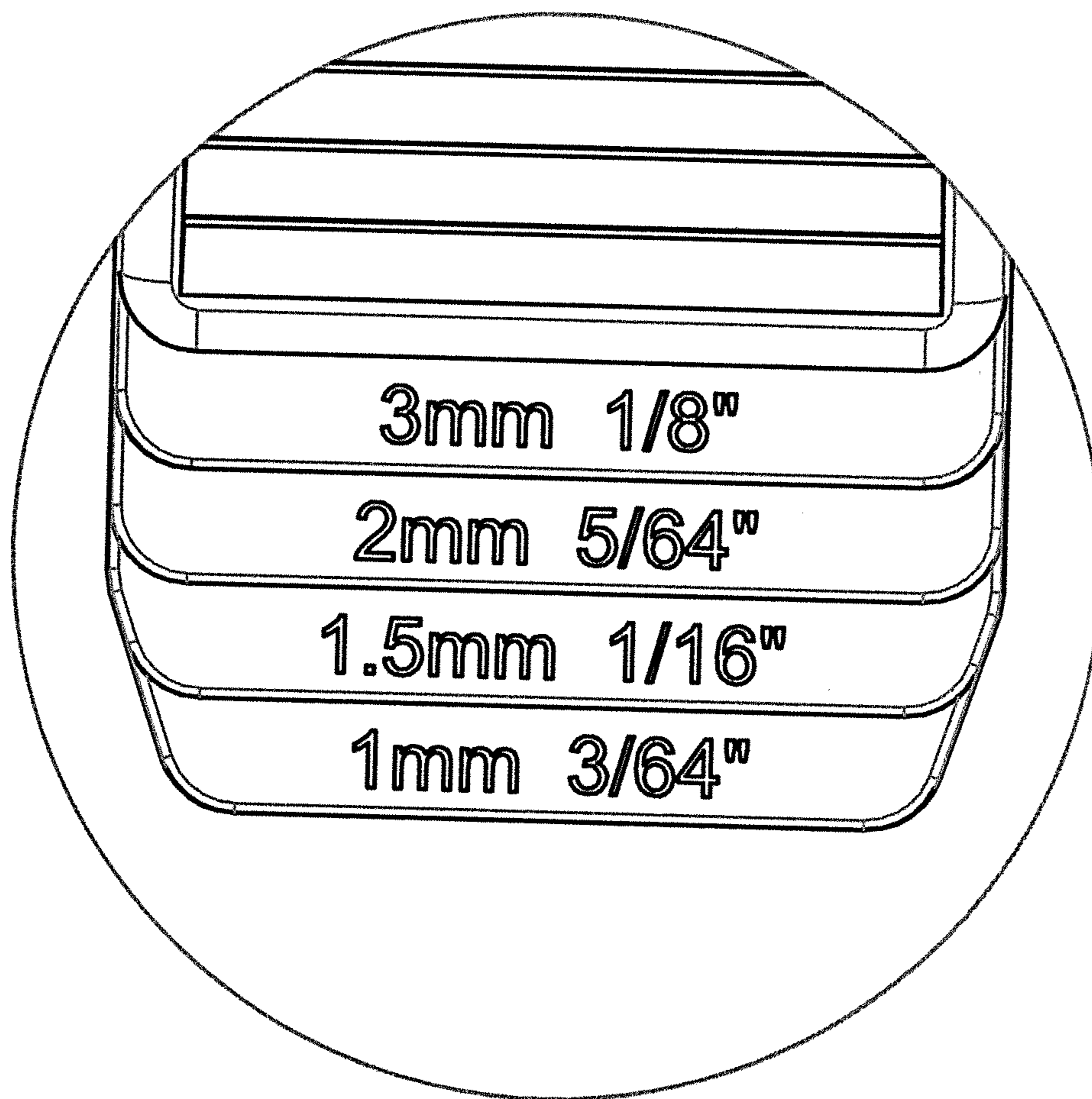


FIG. 9